



US00D839753S

(12) **United States Design Patent** (10) **Patent No.:** **US D839,753 S**  
**Domke et al.** (45) **Date of Patent:** **\*\* Feb. 5, 2019**

- (54) **WATCH WITH DISPLAY**
- (71) Applicant: **Garmin Switzerland GmbH**,  
Schaffhausen (CH)
- (72) Inventors: **Gary J. Domke**, Shawnee, KS (US);  
**Peter J. Henne**, Overland Park, KS  
(US); **Jeffrey A. Shank**, Gardner, KS  
(US); **Marcus A. Moilanen**, Olathe, KS  
(US); **Todd P. Register**, Olathe, KS  
(US); **Aaron X. Molina**, Kansas City,  
MO (US)
- (73) Assignee: **Garmin Switzerland GmbH** (CH)
- (\*\*) Term: **15 Years**
- (21) Appl. No.: **29/590,890**
- (22) Filed: **Jan. 13, 2017**

**Related U.S. Application Data**

- (63) Continuation of application No. 29/552,623, filed on  
Jan. 25, 2016, now abandoned.
- (51) **LOC (11) Cl.** ..... **10-02**
- (52) **U.S. Cl.**  
USPC ..... **D10/30**
- (58) **Field of Classification Search**  
USPC ..... D10/30, 31, 32, 33, 34, 35, 36, 37, 38,  
D10/39, 122, 123, 124; D11/1, 2, 3, 4;  
D14/300, 341, 344, 137, 138 R, 138 G  
CPC ..... G04B 17/00; G04B 17/02; G04B 17/005;  
G04B 17/285; G04B 37/00; G04B  
37/0058; G04B 45/00; G04B 45/02;  
G04B 45/0038; G04B 45/0069; G04B  
45/0076; G04B 29/00; G04B 19/268  
See application file for complete search history.

(56) **References Cited**

**U.S. PATENT DOCUMENTS**

- D494,070 S \* 8/2004 Debetaz ..... D10/32
- D496,589 S \* 9/2004 Perrenoud ..... D10/30

- D528,439 S \* 9/2006 Burton ..... D10/32
  - D594,875 S \* 6/2009 Sheba ..... D14/203.3
  - D596,510 S 7/2009 Register et al. .... D10/38
  - D610,922 S 3/2010 Lammers-Meis et al. .... D10/32
  - D657,697 S 4/2012 Lammers-Meis et al. .... D10/38
- (Continued)

**OTHER PUBLICATIONS**

Joschmoblo, Well . . . that was short! TomTomRunner, posted Jul. 18, 2013, [online], [site visited Sep. 8, 2018]. Available from Internet, <URL: <https://joschmoblo.wordpress.com/2013/07/18/well-that-was-short-tomtom-runner-you-need-to-mature-a-bit-more-for-my-likings/>> (Year: 2013).\*

(Continued)

*Primary Examiner* — Sheryl Lane  
*Assistant Examiner* — Samantha N Wood  
(74) *Attorney, Agent, or Firm* — Samuel M. Korte; Max M. Ali

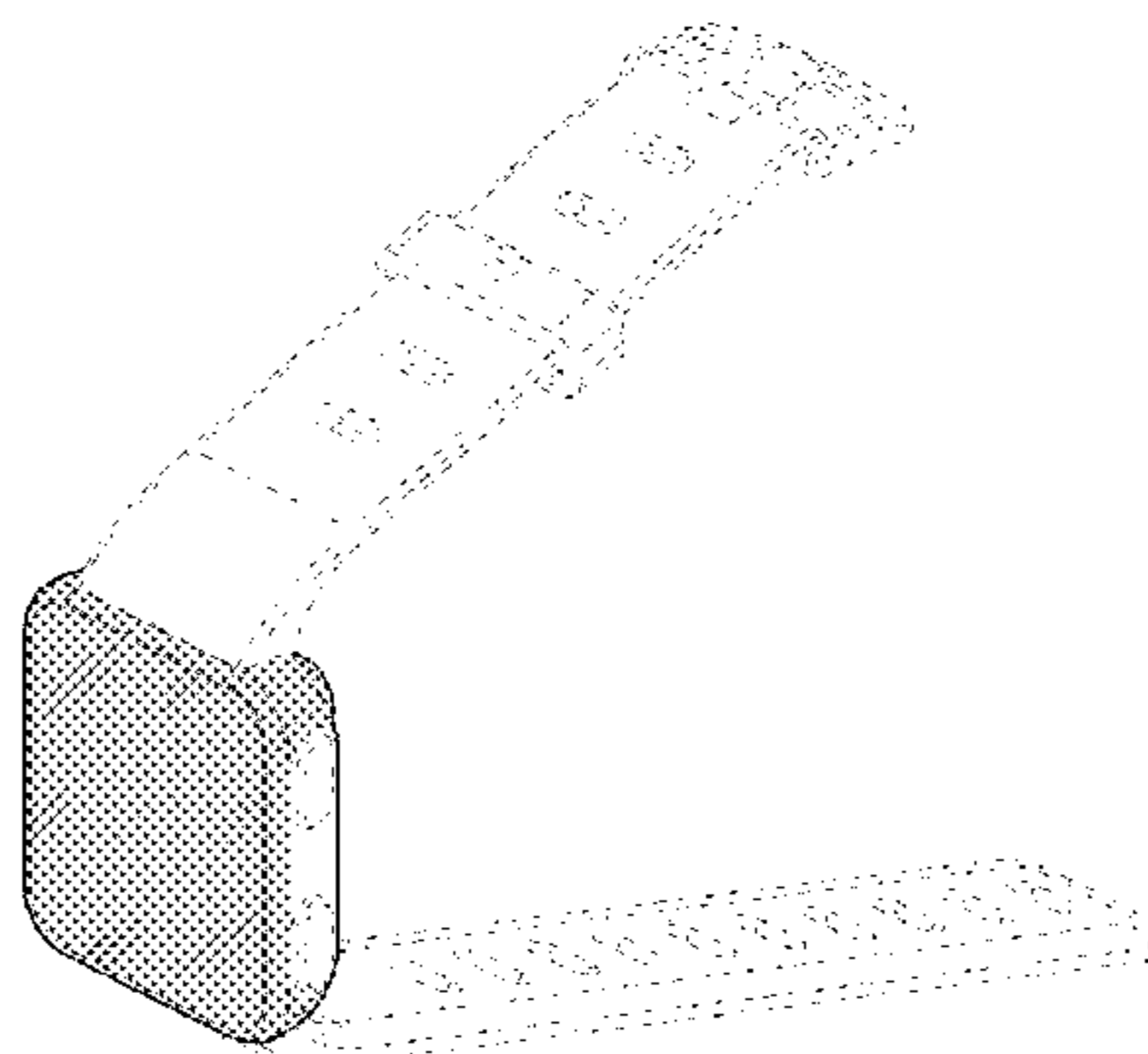
(57) **CLAIM**

The ornamental design for a watch with display, as shown and described.

**DESCRIPTION**

FIG. 1 is a front perspective view of a watch with display according to the present invention; FIG. 2 is a rear perspective view of the watch with display; FIG. 3 is a top view of the watch with display; FIG. 4 is a front view of the watch with display; FIG. 5 is a bottom view of the watch with display; FIG. 6 is a rear view of the watch with display; FIG. 7 is a left side view of the watch with display; and, FIG. 8 is a right side view of the watch with display. The structural features depicted by broken lines have been shown for the purpose of illustrating portions of the watch with display that form no part of the claimed design.

**1 Claim, 3 Drawing Sheets**



(56)

**References Cited**

## U.S. PATENT DOCUMENTS

D660,726 S	5/2012	Register et al. ....	D10/38
D661,206 S	6/2012	Register et al. ....	D10/38
D725,497 S	3/2015	Henne et al. ....	D10/38
D739,268 S	9/2015	Lammers-Meis et al. ....	D10/30
D740,136 S	10/2015	Henne et al. ....	D10/30
D742,761 S	11/2015	Grazian et al. ....	D10/30
D759,121 S *	6/2016	Akana .....	D14/203.7
D760,717 S *	7/2016	Solomon .....	D14/344
D763,107 S *	8/2016	Nielsen .....	D10/30
D766,742 S *	9/2016	Arellano .....	D10/30
D772,081 S	11/2016	Lee et al. ....	D10/30
D789,357 S *	6/2017	Wu .....	D14/344
D805,405 S	12/2017	Henne et al. ....	D10/30

## OTHER PUBLICATIONS

Youtube, RF-V16 GPS tracker review, posted Sep. 25, 2015, [online], [site visited Sep. 8, 2018]. Available from Internet, <URL: <https://www.youtube.com/watch?v=voCCexbxqfc>> (Year: 2015).\*

Printout from <http://www.apple.com/watch/> published prior to Jan. 25, 2016.

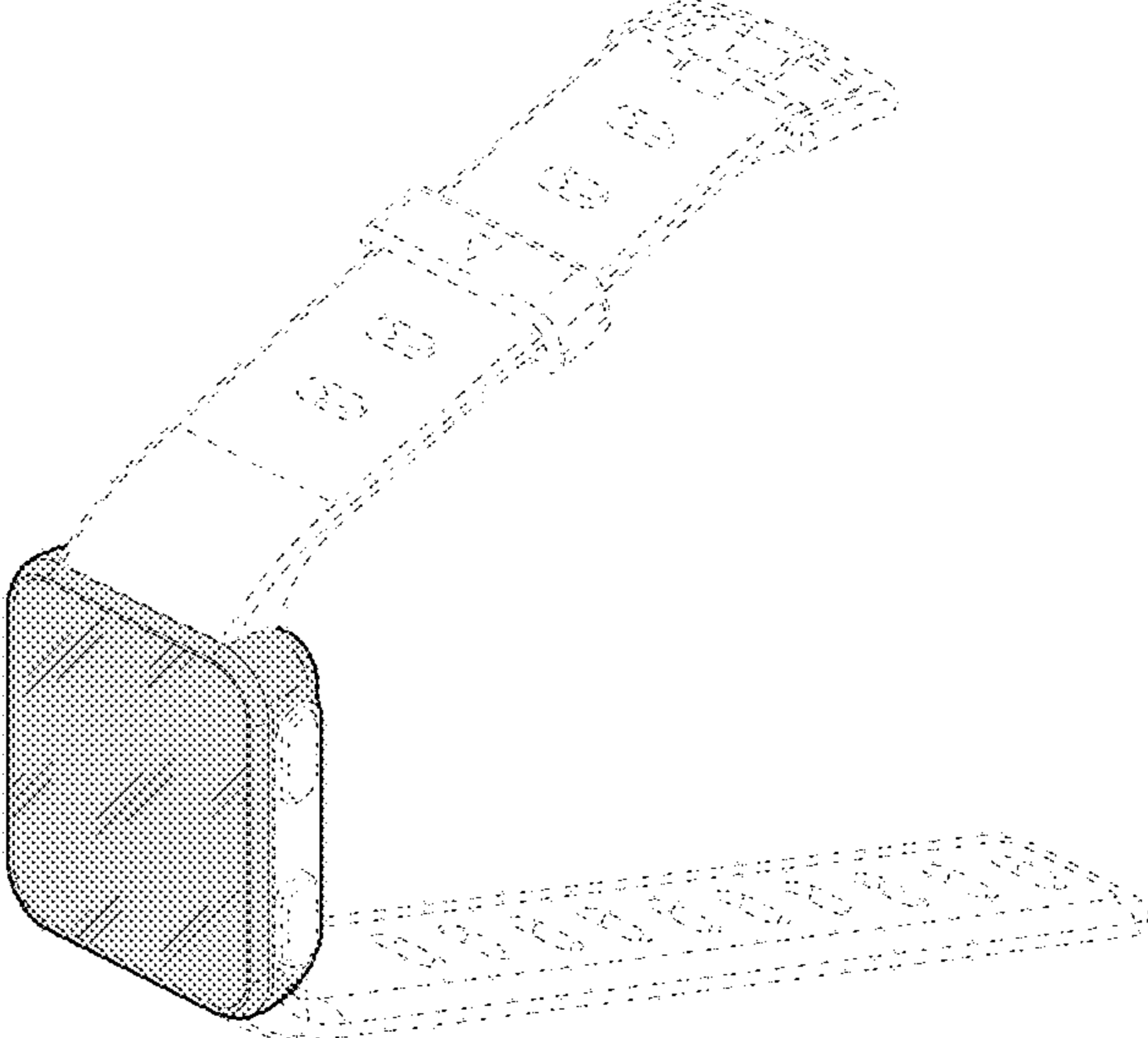
Printout from <https://www.cnet.com/products/lg-g-watch/review/> published prior to Jan. 25, 2016.

Printout from <https://www.sonymobile.com/global-en/products/smart-products/smartwatch-3-swr50/> published prior to Jan. 25, 2016.

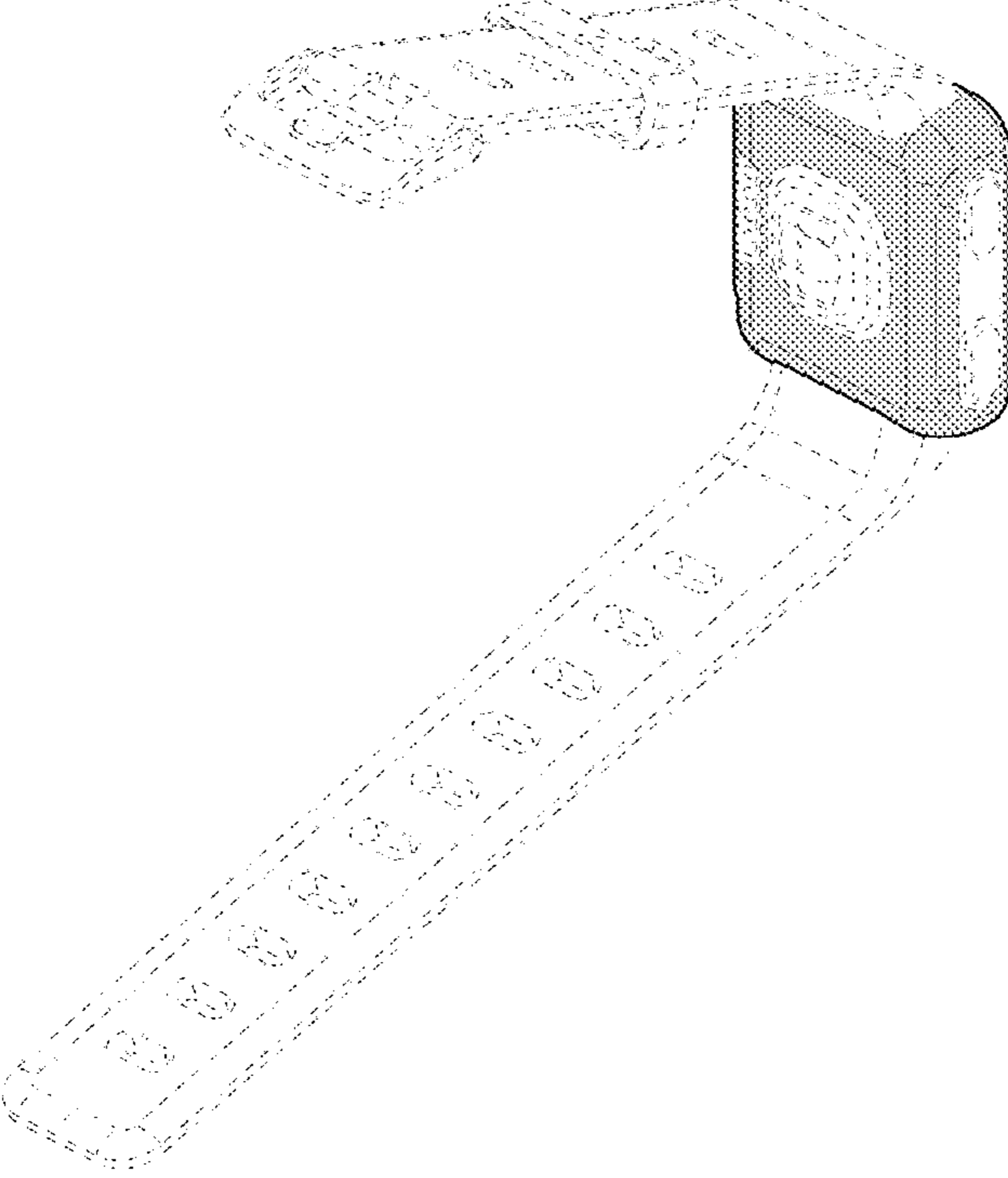
Printout from [https://www.asus.com/ZenWatch/ASUS\\_ZenWatch\\_W1500O/](https://www.asus.com/ZenWatch/ASUS_ZenWatch_W1500O/) published prior to Jan. 25, 2016.

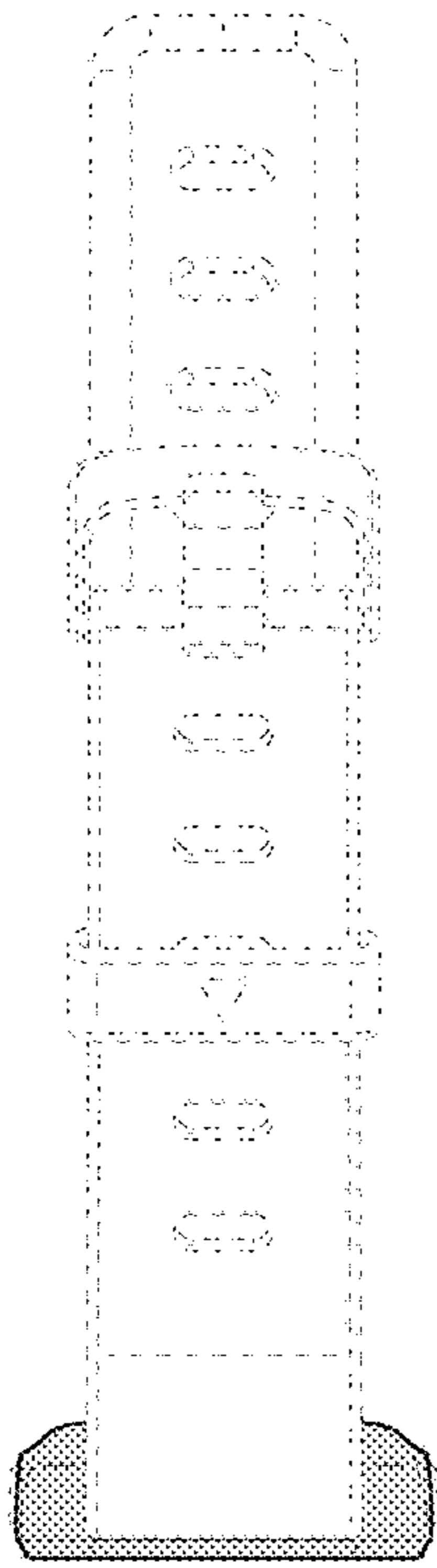
\* cited by examiner

*Fig. 1*

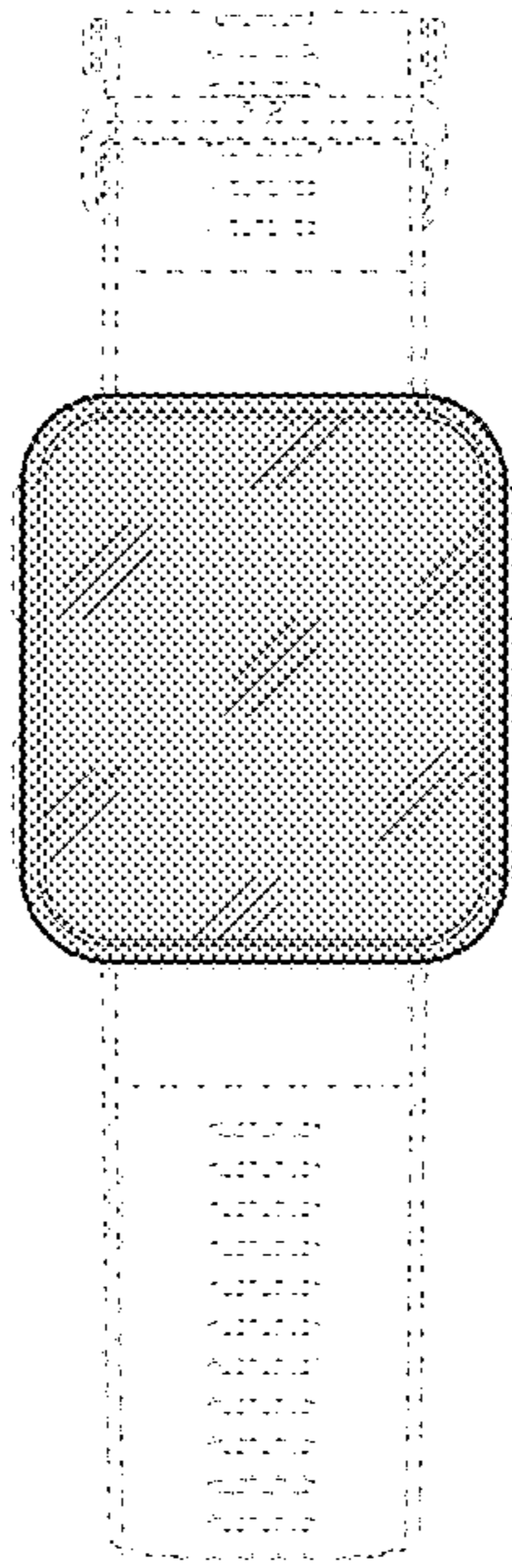


*Fig. 2*

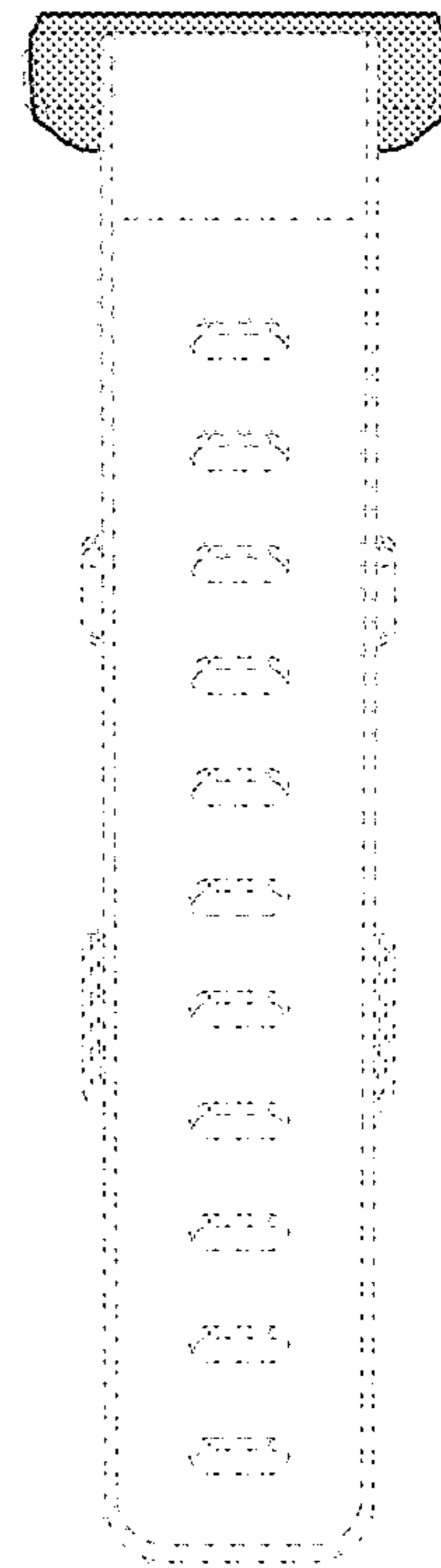




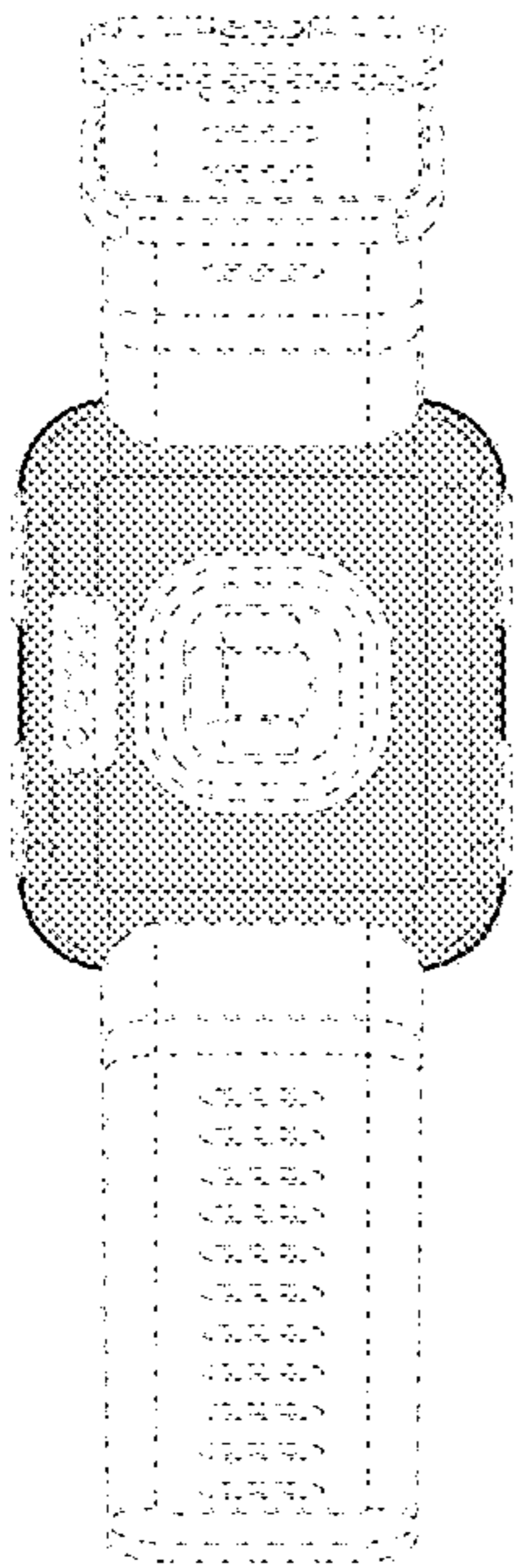
*Fig. 3*



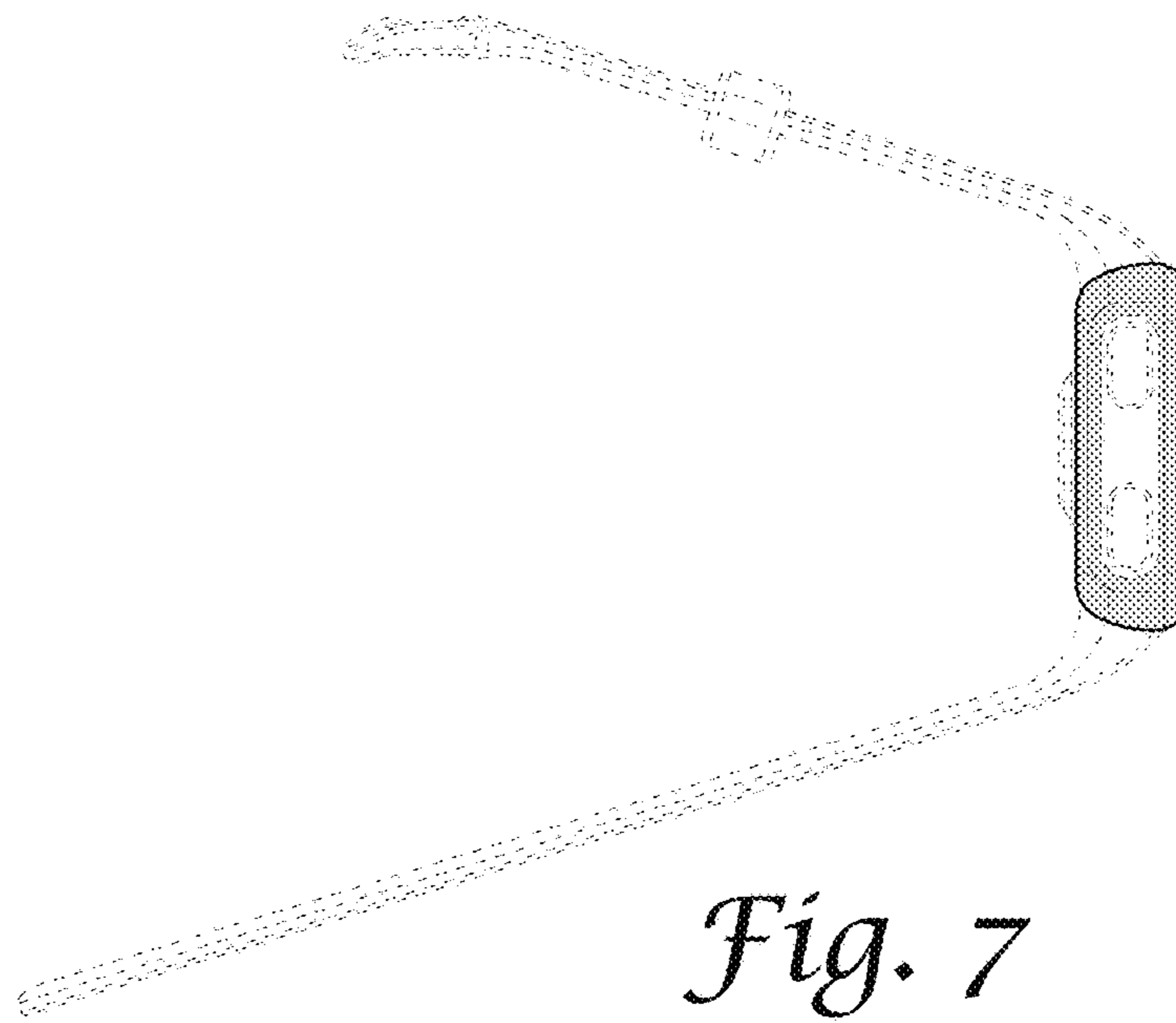
*Fig. 4*



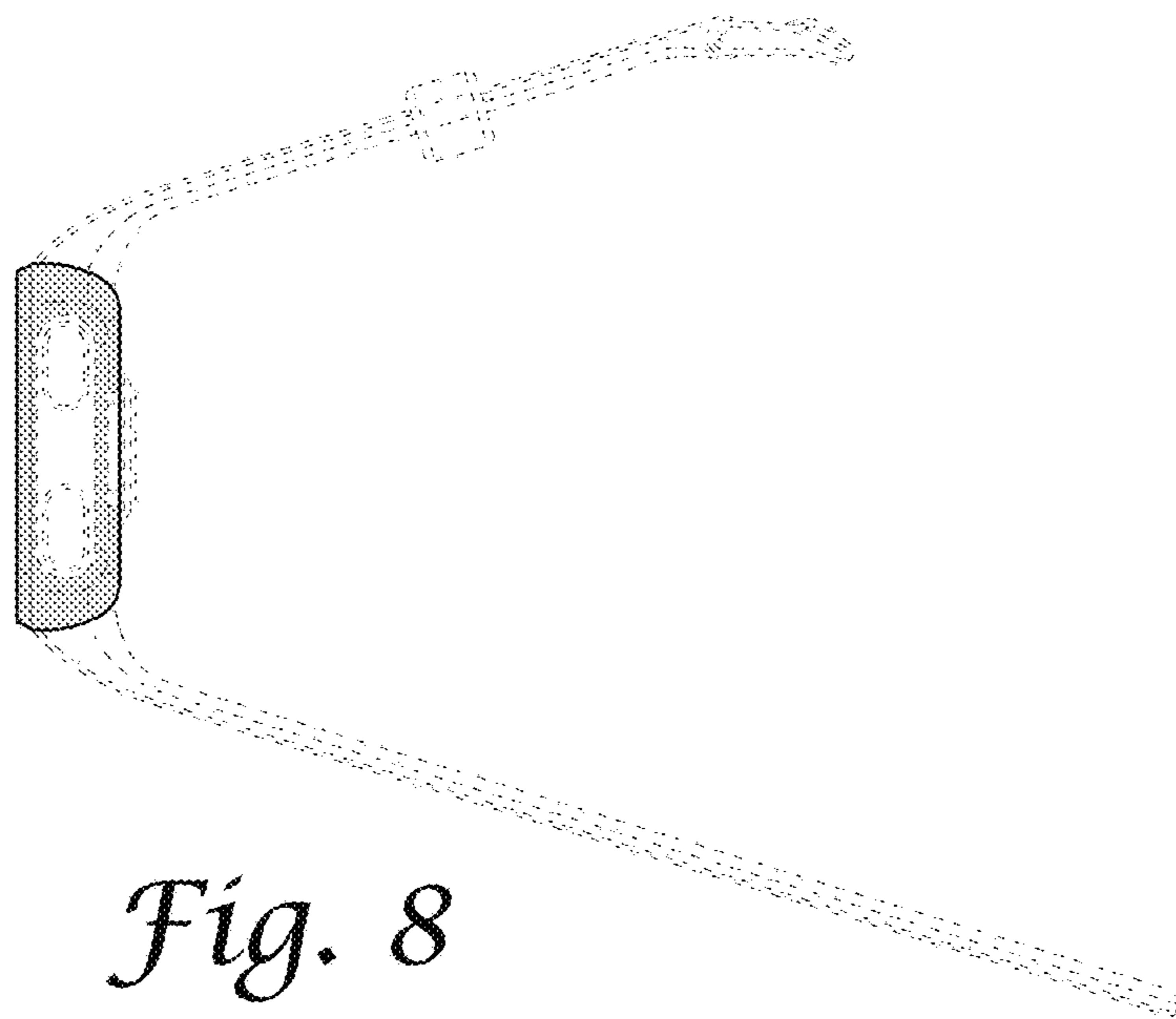
*Fig. 5*



*Fig. 6*



*Fig. 7*



*Fig. 8*