



US00D839752S

(12) **United States Design Patent**
Dominion et al.

(10) **Patent No.:** **US D839,752 S**

(45) **Date of Patent:** **** Feb. 5, 2019**

(54) **CONTAINER**

(71) Applicant: **D6 Inc.**, Portland, OR (US)

(72) Inventors: **Ed Dominion**, Portland, OR (US);
Martin Troutt, Wood Village, OR
(US); **Ben McGregor**, Portland, OR
(US)

(73) Assignee: **D6, Inc.**, Portland, OR (US)

(**) Term: **15 Years**

(21) Appl. No.: **29/605,999**

(22) Filed: **May 31, 2017**

(51) **LOC (11) Cl.** **09-03**

(52) **U.S. Cl.**
USPC **D9/759**

(58) **Field of Classification Search**

USPC D9/341, 347, 414-432, 440, 444, 447,
D9/449, 450-454, 503, 504, 737, 759,
D9/761; D7/672, 601, 550.1, 551.1,
D7/551.2, 551.3, 552.1, 552.2, 553.1,
D7/553.2, 553.3, 553.4, 553.5, 553.7,
D7/553.8, 554.1, 554.3, 555, 557, 602,
D7/629, 630, 538-542, 612-615, 584,
D7/586, 587, 392.1, 709, 502, 608, 622,
D7/701, 703, 543-549, 317-319, 391,
D7/392, 396.2, 510, 511; D3/273,
D3/201-206, 276, 283, 284, 295, 274,
D3/302; D11/143; 249/126, 134;
206/216, 217, 541-550, 518, 557, 558,
206/561, 564, 223, 467; 220/669-673,
220/675, 574-575, 573.1, 4.21, 660, 326,
220/236, 780-806, 4.24, 288, 260, 266,

220/306, 352, 356, 523, 23.8, 23.2, 23.83,
220/23.4, 662, 792-799, 700, 701, 703,
220/711, 713-715, 719; 426/106;
(Continued)

(56) **References Cited**

U.S. PATENT DOCUMENTS

D185,911 S * 8/1959 Chadbourne A47G 19/02
D7/555
4,026,457 A * 5/1977 Schubert B65D 1/36
220/23.8

(Continued)

OTHER PUBLICATIONS

“Pack a healthy and yummy lunch that your picky eater will actually enjoy!”, available Jun. 6, 2013, [online], [site visited Apr. 29, 2018]. Available from internet, <URL: <https://www.yumboxlunch.com/blog/feeding/2013/06/pack-a-healthy-and-yummy-lunch-that-your-picky-eater-will-actually-enjoy/> (Year: 2013).*

(Continued)

Primary Examiner — Cathron C Brooks

Assistant Examiner — W. A. Teddy Falloway

(74) *Attorney, Agent, or Firm* — Berkeley Law & Technology Group LLP

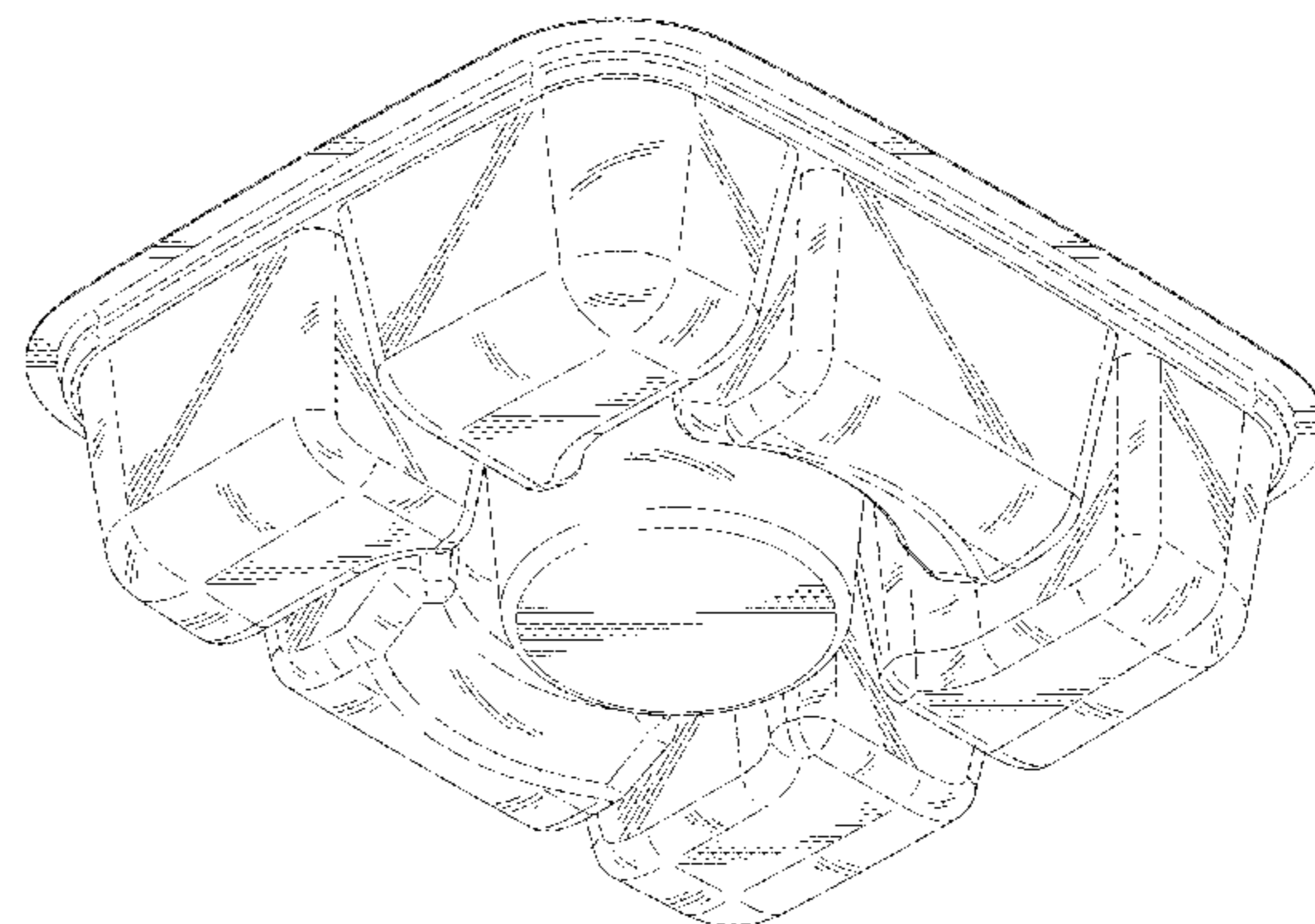
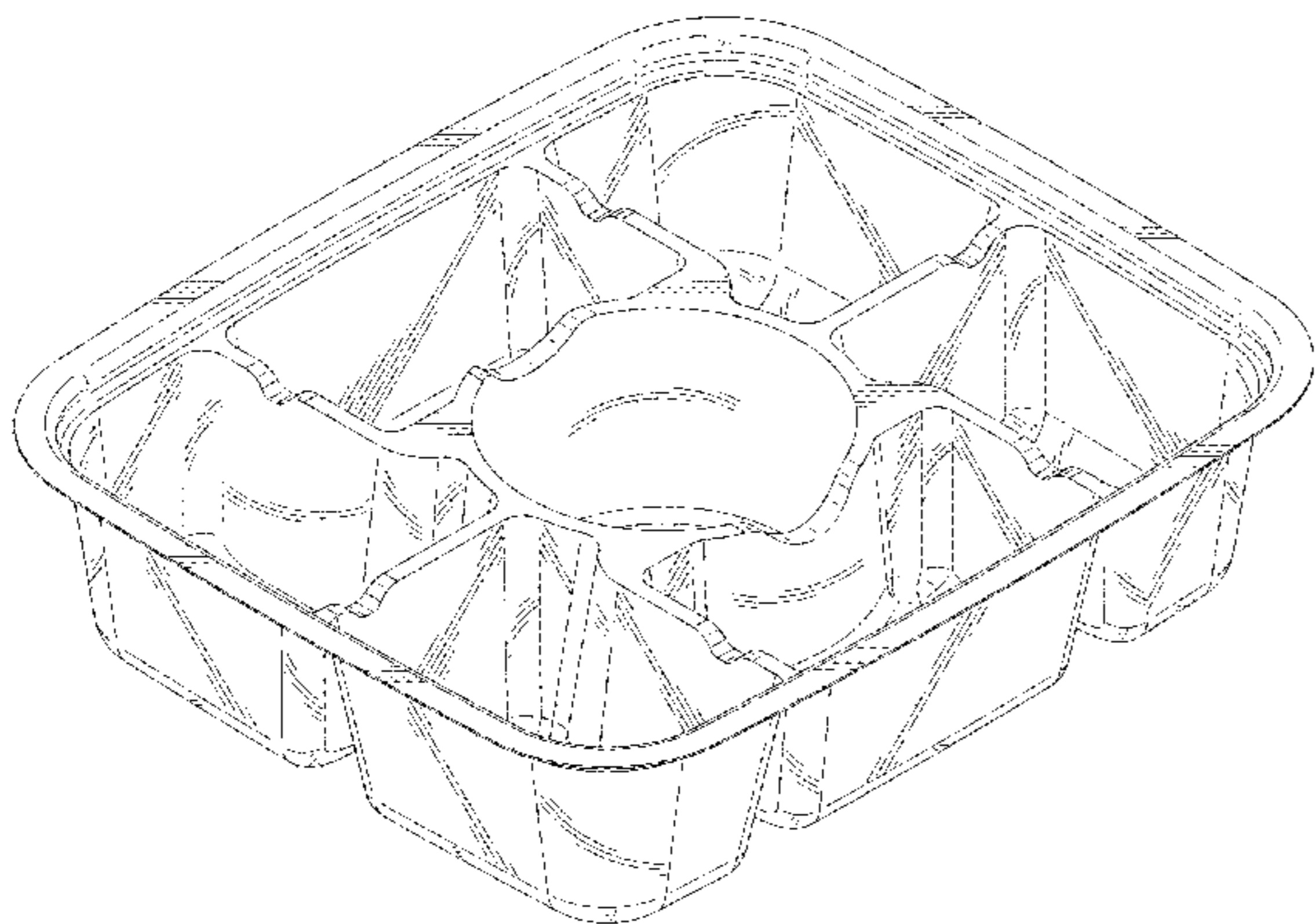
(57) **CLAIM**

The ornamental design for a container, as shown and described.

DESCRIPTION

FIG. 1 is a front, top perspective view of a container showing our new design;
FIG. 2 is a front and rear elevational view of FIG. 1;
FIG. 3 is a right and left elevational view of FIG. 1;
FIG. 4 is a top plan view of FIG. 1;
FIG. 5 is a bottom plan view of FIG. 1;
FIG. 6 is a bottom perspective view of FIG. 1; and,
FIG. 7 is a top perspective view of FIG. 1.

(Continued)



Any line shading is not a feature of the design but is utilized to illustrate the character and contour of the surfaces of the container design in the drawings.

1 Claim, 6 Drawing Sheets

(58) Field of Classification Search

USPC ... 229/107, 406, 120, 125.17; 215/211, 200, 215/224, 243
 CPC B65D 1/36; B65D 2543/00194; B65D 2543/00296; B65D 2543/00555; B65D 2581/3425; B65D 25/04; B65D 43/0218; B65D 2543/00083; B65D 2543/00268; B65D 2543/00277; B65D 2543/00351; B65D 81/3453; B65D 43/16; B65D 51/28; B65D 43/162; B65D 1/24; B65D 21/0237; B65D 2543/00101; A47G 19/02; A47G 19/065; A47G 23/0608; A47G 23/06

See application file for complete search history.

(56) References Cited

U.S. PATENT DOCUMENTS

5,497,885 A * 3/1996 Sussman A47G 19/065 206/217
 D414,409 S * 9/1999 Sanfilippo D7/553.4
 6,752,288 B1 * 6/2004 Swift A47G 23/06 220/551
 D504,326 S * 4/2005 Vovan D9/425
 7,017,774 B2 * 3/2006 Haedt B65D 1/28 206/564

7,874,449 B1 * 1/2011 Studee A47G 19/02 206/219
 D647,807 S * 11/2011 Golota D9/424
 D653,963 S * 2/2012 Golota D9/737
 D695,077 S * 12/2013 Chase D7/555
 D698,665 S * 2/2014 Sifuentes D9/425
 D698,666 S * 2/2014 Sifuentes D9/425
 D698,667 S * 2/2014 Snedden D9/425
 D723,391 S * 3/2015 Snedden D9/425
 D729,588 S * 5/2015 Breton D7/553.2
 D731,248 S * 6/2015 Breton D7/553.2
 D734,098 S * 7/2015 Breton D7/553.6
 D737,633 S * 9/2015 Breton D7/553.6
 D747,151 S * 1/2016 Liming D7/553.6
 D802,368 S * 11/2017 Peng D7/553.2
 2009/0092738 A1 * 4/2009 Shew A47G 23/06 426/665
 2013/0081361 A1 * 4/2013 Miros A45C 11/20 53/420

OTHER PUBLICATIONS

Cafeteria Mess Trays, available Nov. 29, 2017, [online], [site visited Apr. 29, 2018]. Available from internet, <URL: https://www.amazon.com/Cafeteria-16-Inch-11-Inch-Rectangular-6-Compartment/dp/B077TD55CC/ref=sr_1_5?ie=UTF8&qid=1525060652&sr=8-5&keywords=divided+tray (Year: 2017).*

7 Compartment Party Tray, available Apr. 29, 2018, [online], [site visited Apr. 29, 2018]. Available from internet, <URL: <https://www.brenmarco.com/product/7-compartment-party-tray/> (Year: 2018).*

U.S. Appl. No. 29/605,996, filed May 31, 2017, 13 pages.
 U.S. Appl. No. 29/605,994, filed May 31, 2017, 13 pages.
 U.S. Appl. No. 29/605,992, filed May 31, 2017, 14 pages.
 U.S. Appl. No. 29/605,997, filed May 31, 2017, 15 pages.
 U.S. Appl. No. 29/605,998, filed May 31, 2017, 15 pages.
 U.S. Appl. No. 29/606,000, filed May 31, 2017, 15 pages.

* cited by examiner

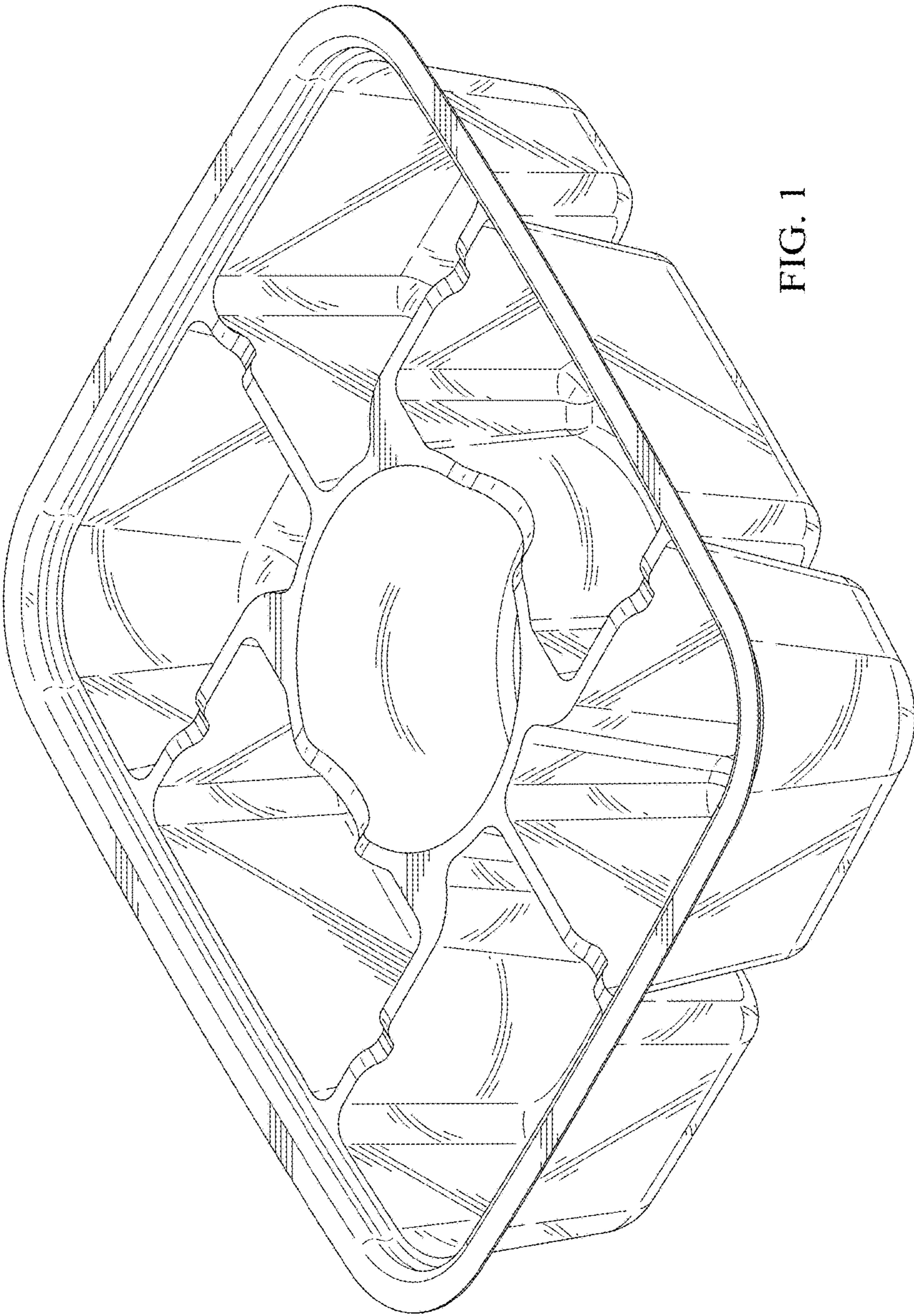


FIG. 1

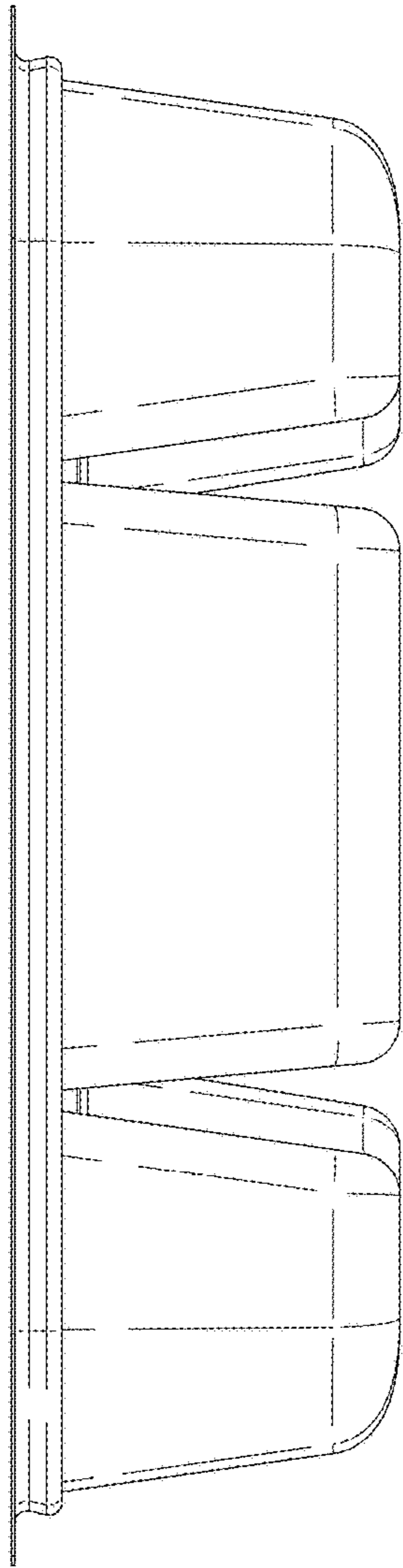


FIG. 2

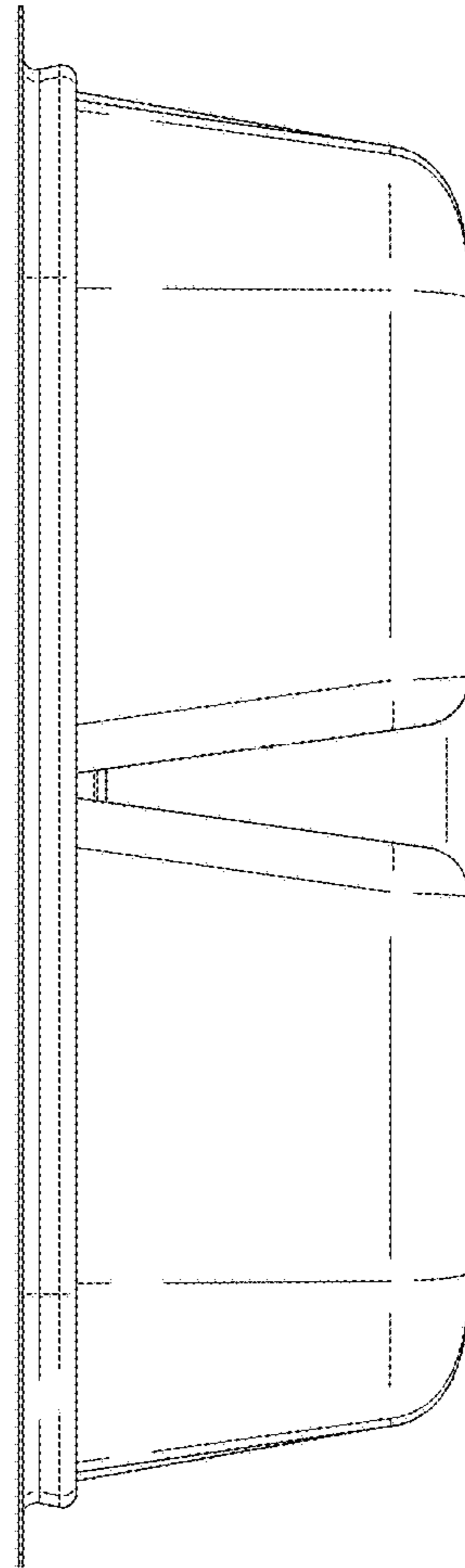
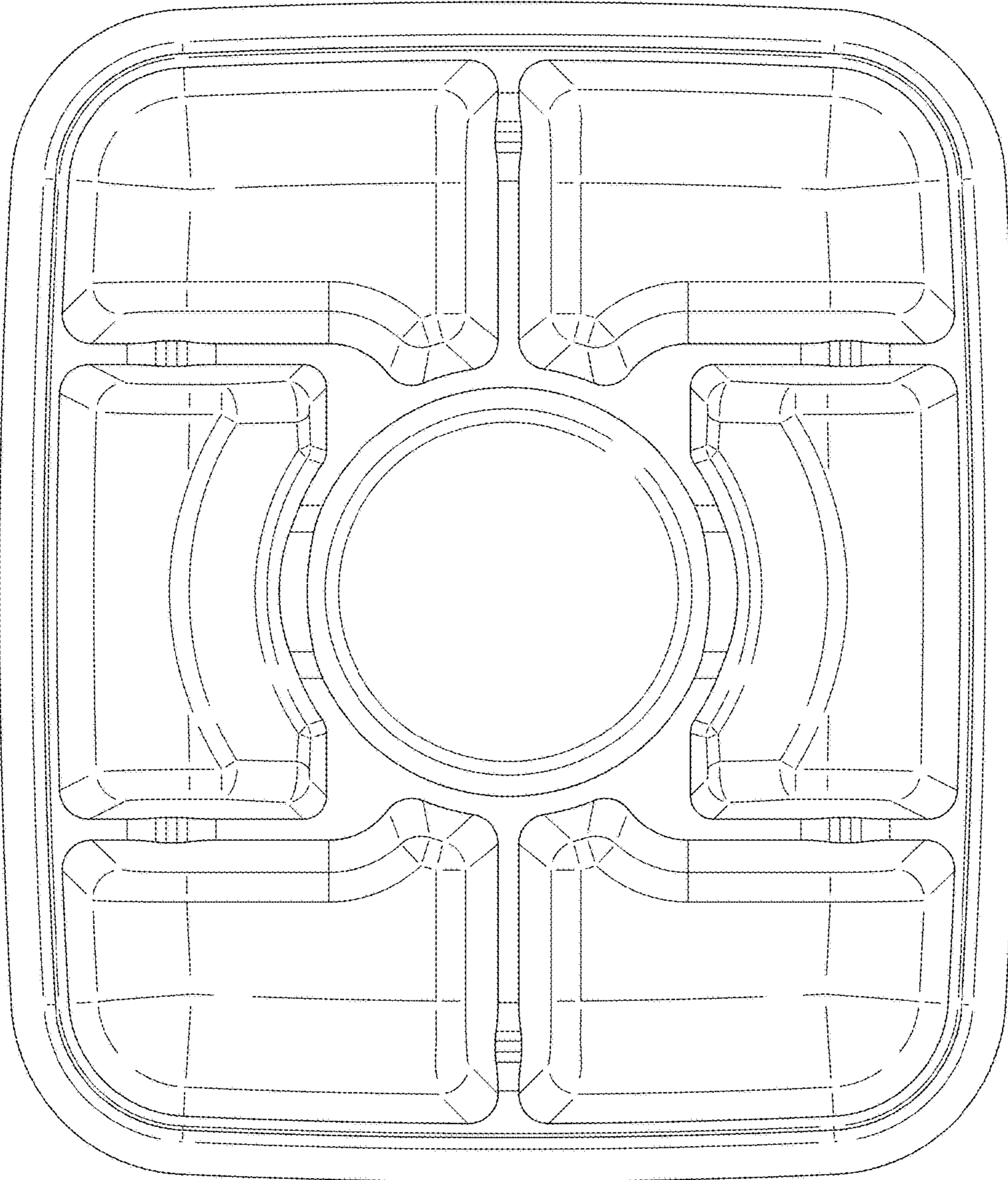


FIG. 3

3/6

SHEET

FIG. 4



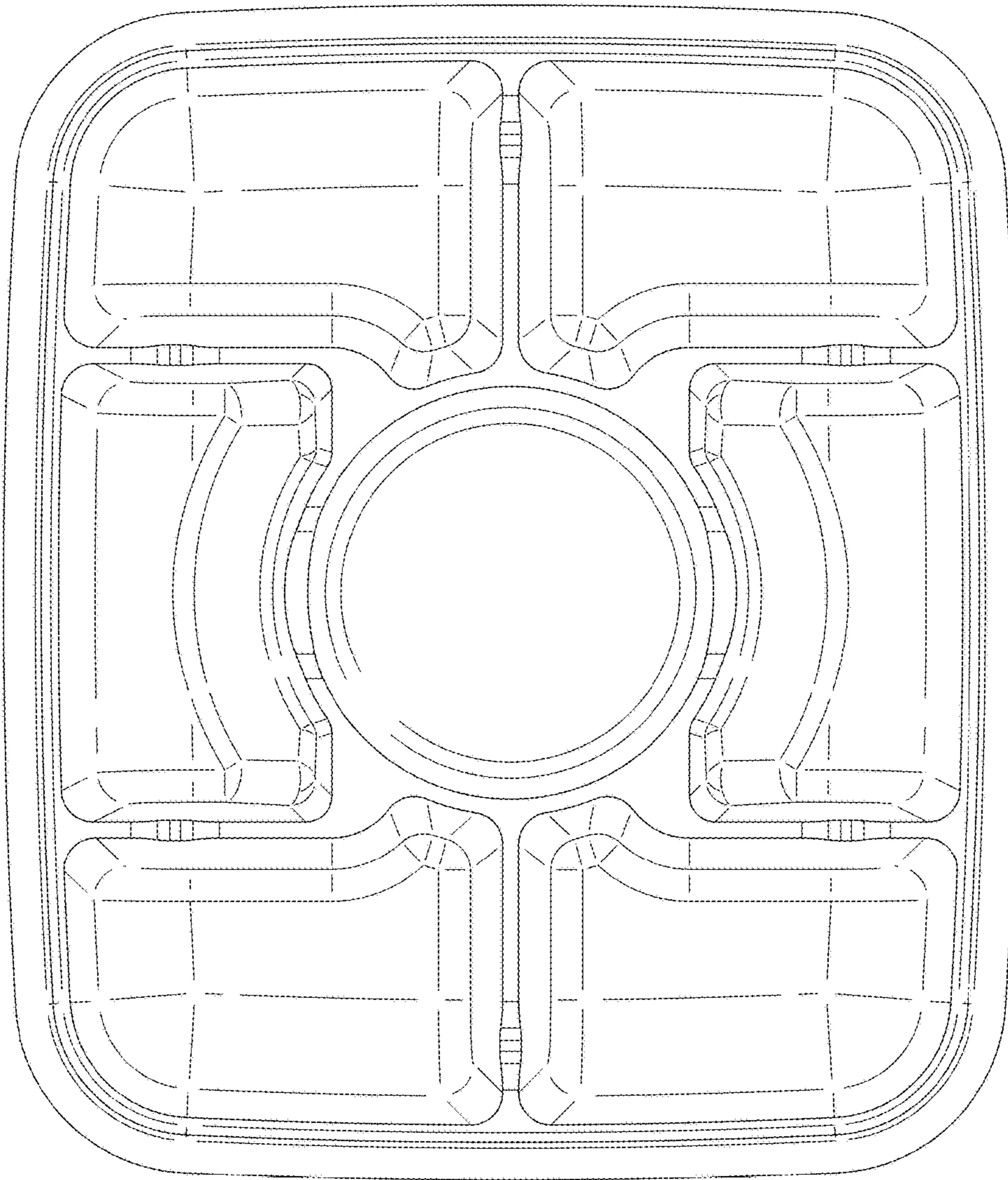


FIG. 5

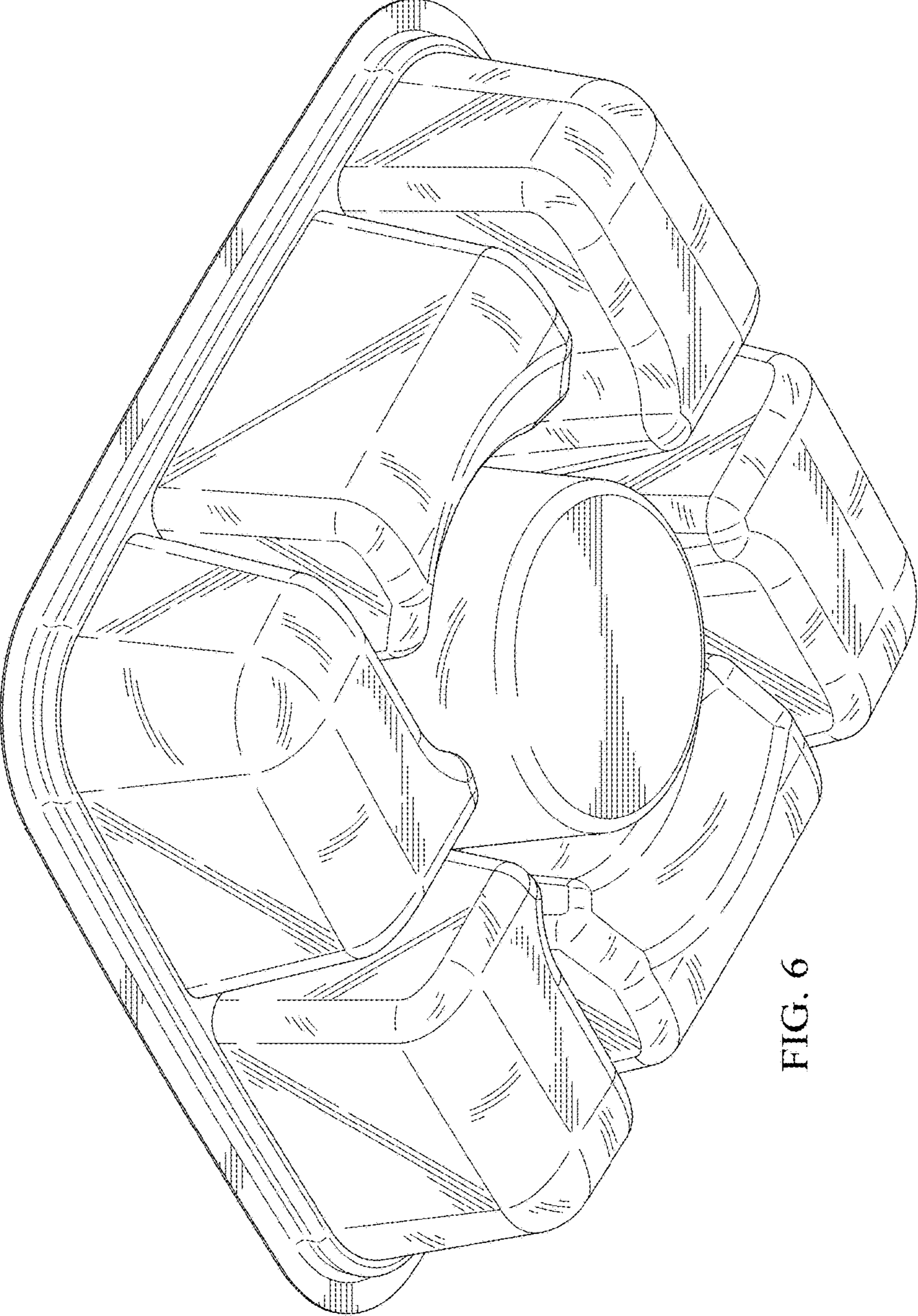


FIG. 6

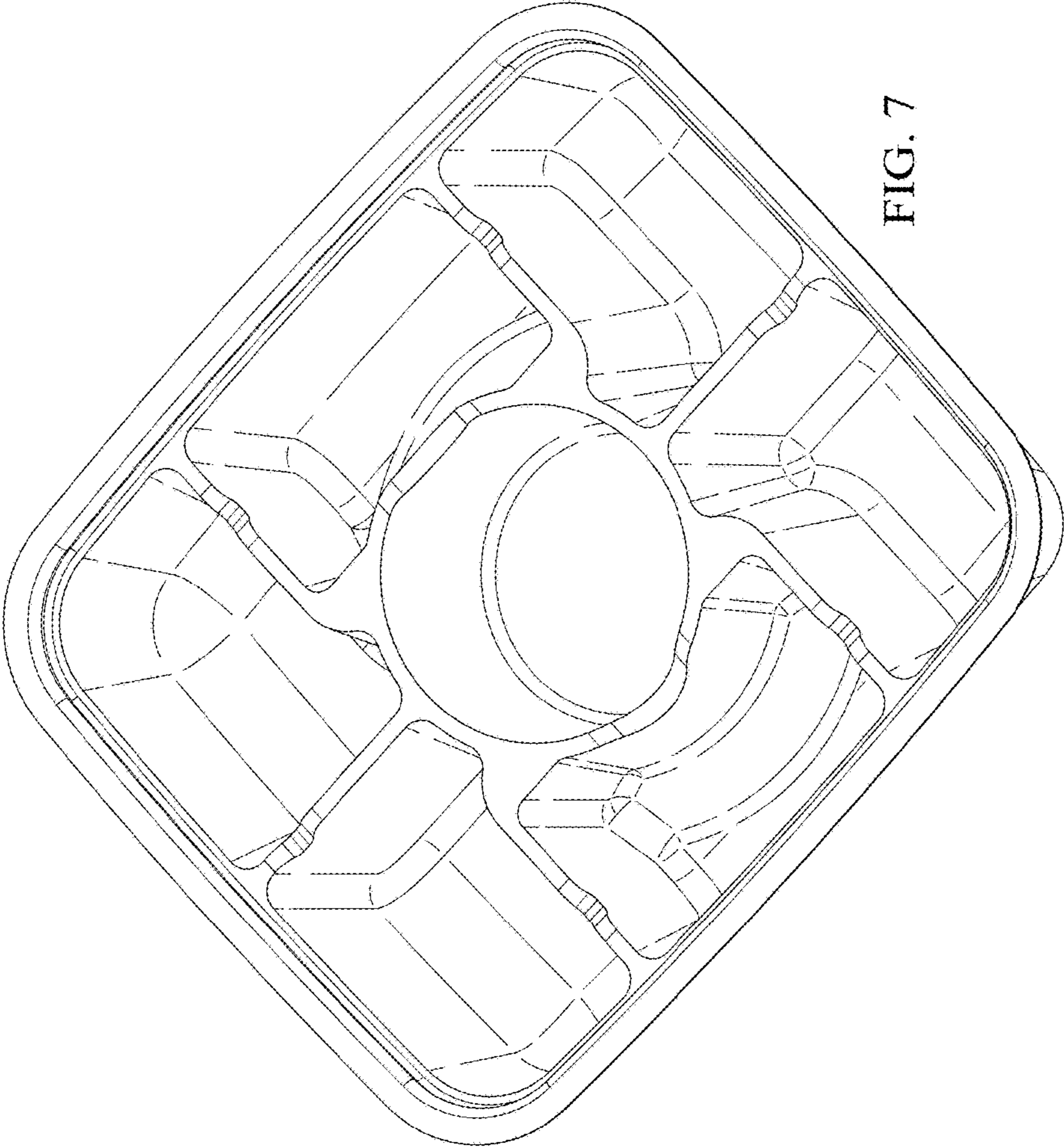


FIG. 7