



US00D839748S

(12) **United States Design Patent**
Jackson, III

(10) **Patent No.:** **US D839,748 S**

(45) **Date of Patent:** **** Feb. 5, 2019**

(54) **BEVERAGE BOTTLE**

(71) Applicant: **Sire Spirits, LLC**, New York, NY (US)

(72) Inventor: **Curtis J. Jackson, III**, New York, NY (US)

(73) Assignee: **SIRE SPIRITS, LLC**, New York, NY (US)

(**) Term: **15 Years**

(21) Appl. No.: **29/626,514**

(22) Filed: **Nov. 17, 2017**

(51) **LOC (11) Cl.** **09-01**

(52) **U.S. Cl.**
USPC **D9/600**

(58) **Field of Classification Search**
USPC D3/270, 271.1-271.4; D7/509-511,
D7/514-521, 529, 594, 599, 604, 613,
D7/619.2, 623, 628; D9/600, 652, 667,
D9/500-505, 516, 544-546, 548-561;
206/457, 459.5, 527; 215/381-384, 400;
D21/388-398
CPC B65D 5/4258; B65D 81/60; B65D 81/365;
B65D 81/366; B65D 81/368; B65D
2203/00; B65D 2203/02; B65D 5/42;
B65D 77/00; A63H 33/16
See application file for complete search history.

(56) **References Cited**

U.S. PATENT DOCUMENTS

D114,667 S * 5/1939 Robinson D9/600
D129,968 S * 10/1941 Robinson D9/600

D230,182 S * 1/1974 Silber D21/388
D236,361 S * 8/1975 Maura D21/388
D346,045 S * 4/1994 Yang D21/388
D356,345 S * 3/1995 Escobar D21/388

* cited by examiner

Primary Examiner — Sandra L Morris

(74) *Attorney, Agent, or Firm* — Wissing Miller LLP

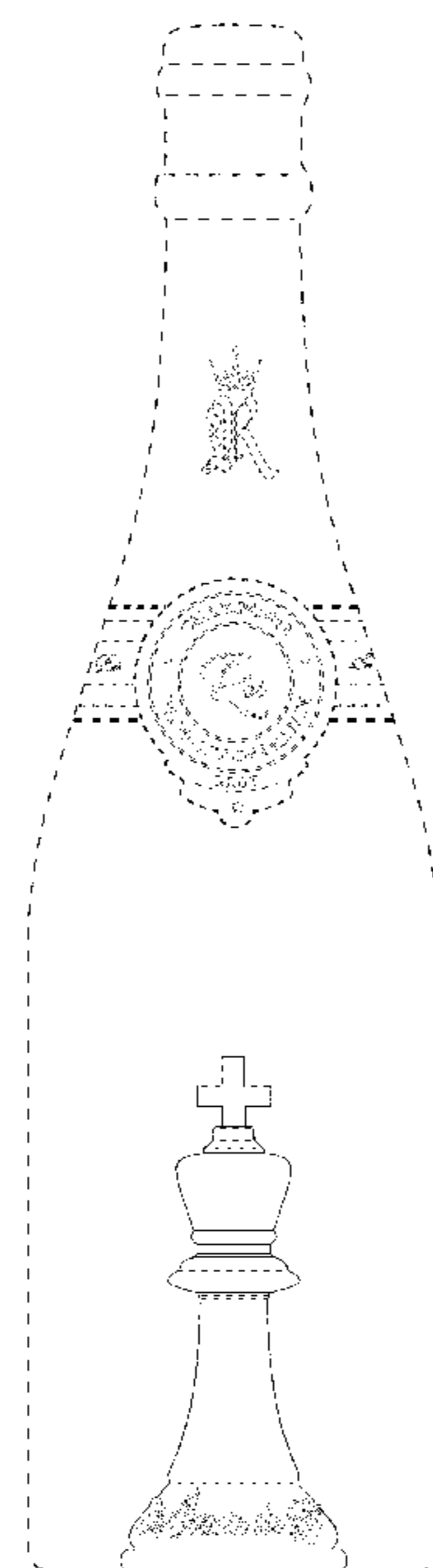
(57) **CLAIM**

I claim the ornamental design for the beverage bottle, as shown and described.

DESCRIPTION

FIG. 1 is a front view of the beverage bottle of the present invention.
FIG. 2 is a rear view of the beverage bottle of the present invention.
FIG. 3 is a right side view of the beverage bottle of the present invention.
FIG. 4 is a left side view of the beverage bottle of the present invention.
FIG. 5 is a top view of the beverage bottle of the present invention; and,
FIG. 6 is a bottom view of the beverage bottle of the present invention.
The broken lines of FIGS. 1-6 illustrate portions of the beverage bottle that form no part of the claimed design.

1 Claim, 5 Drawing Sheets



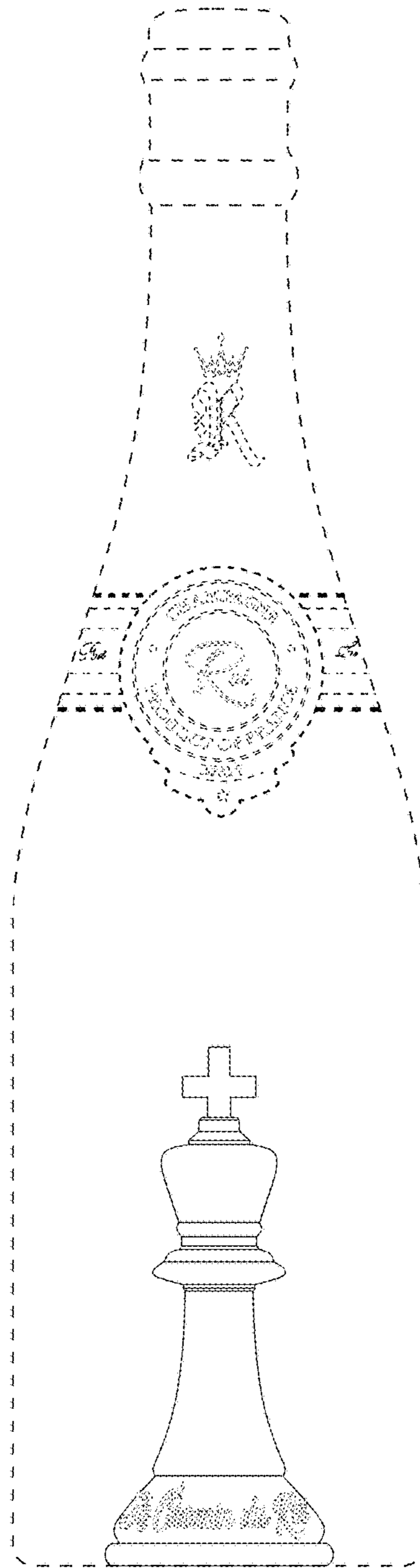


FIG. 1

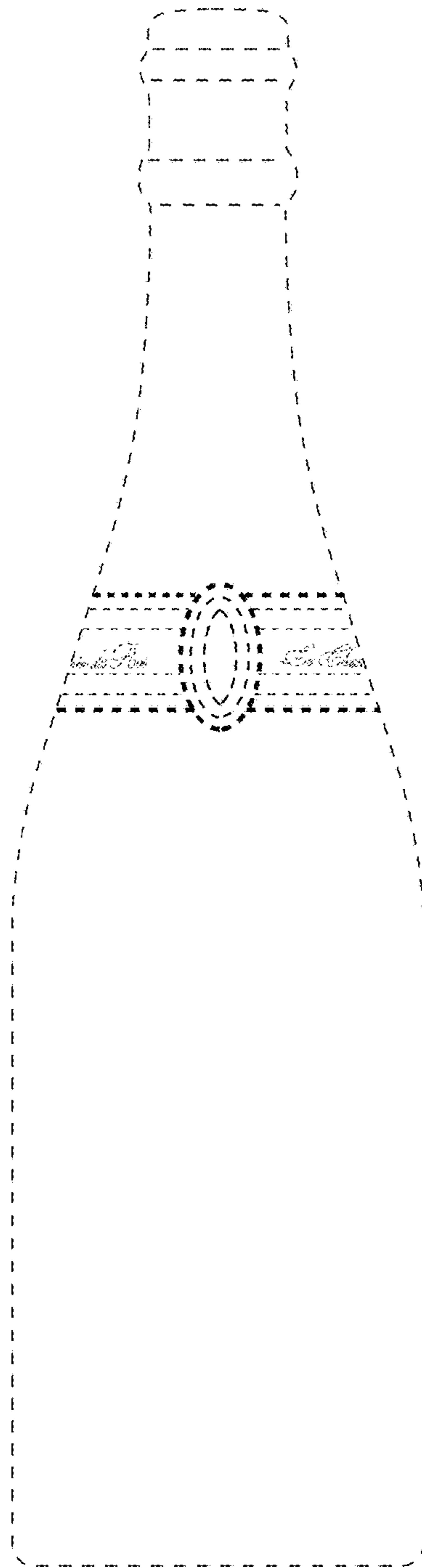


FIG. 2

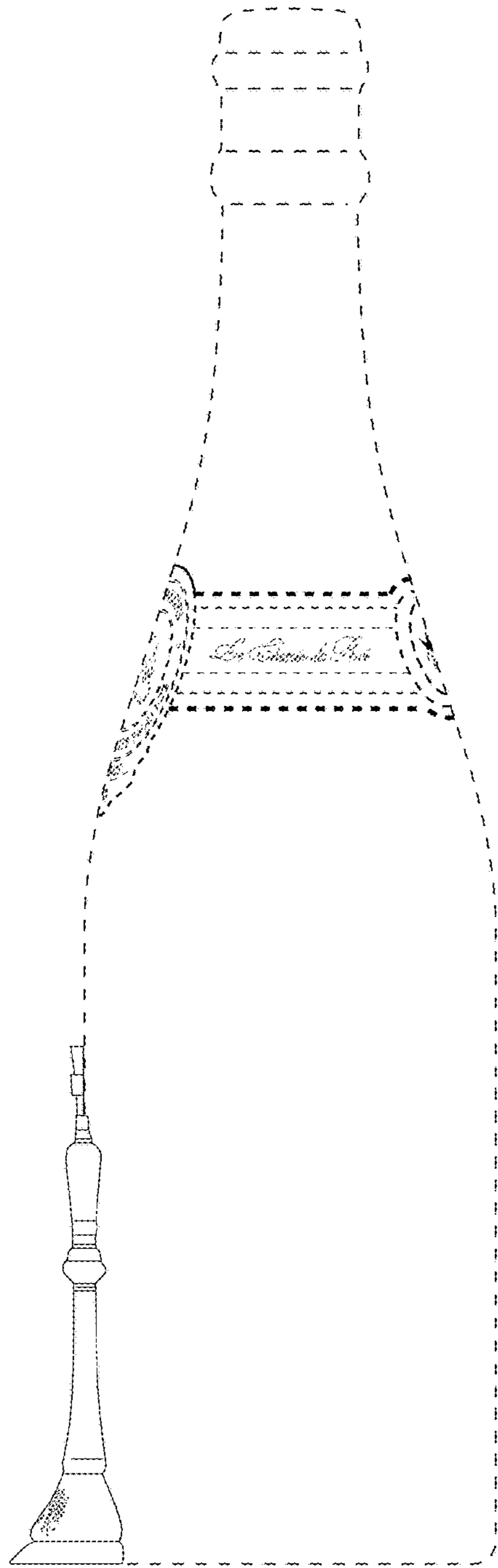


FIG. 3

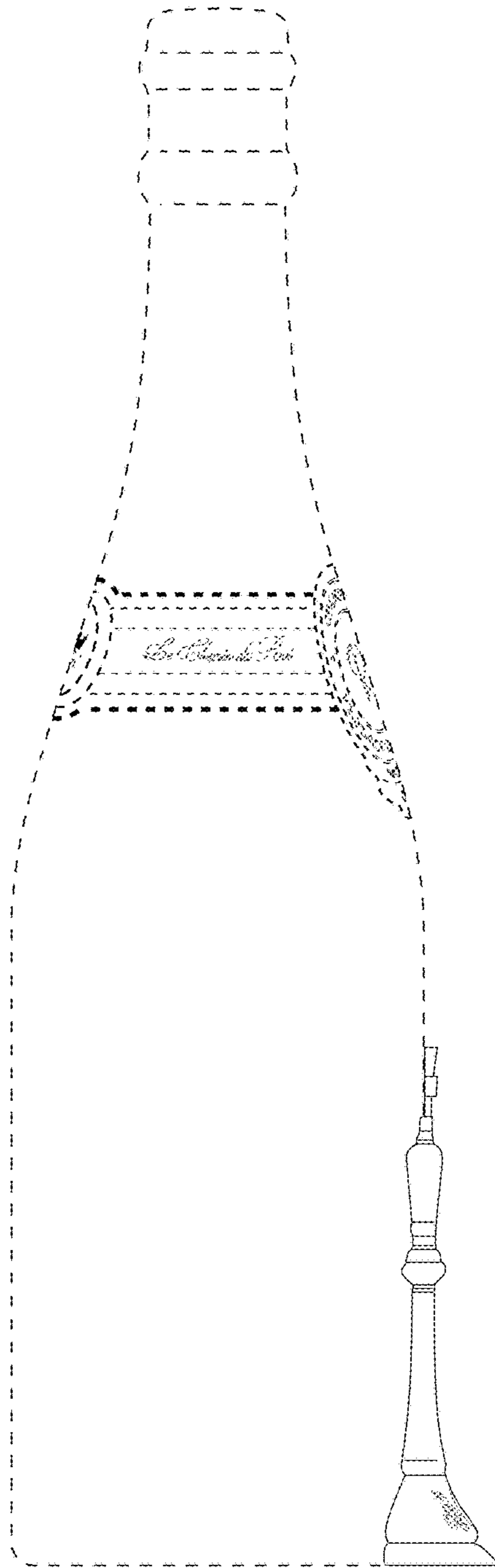


FIG. 4

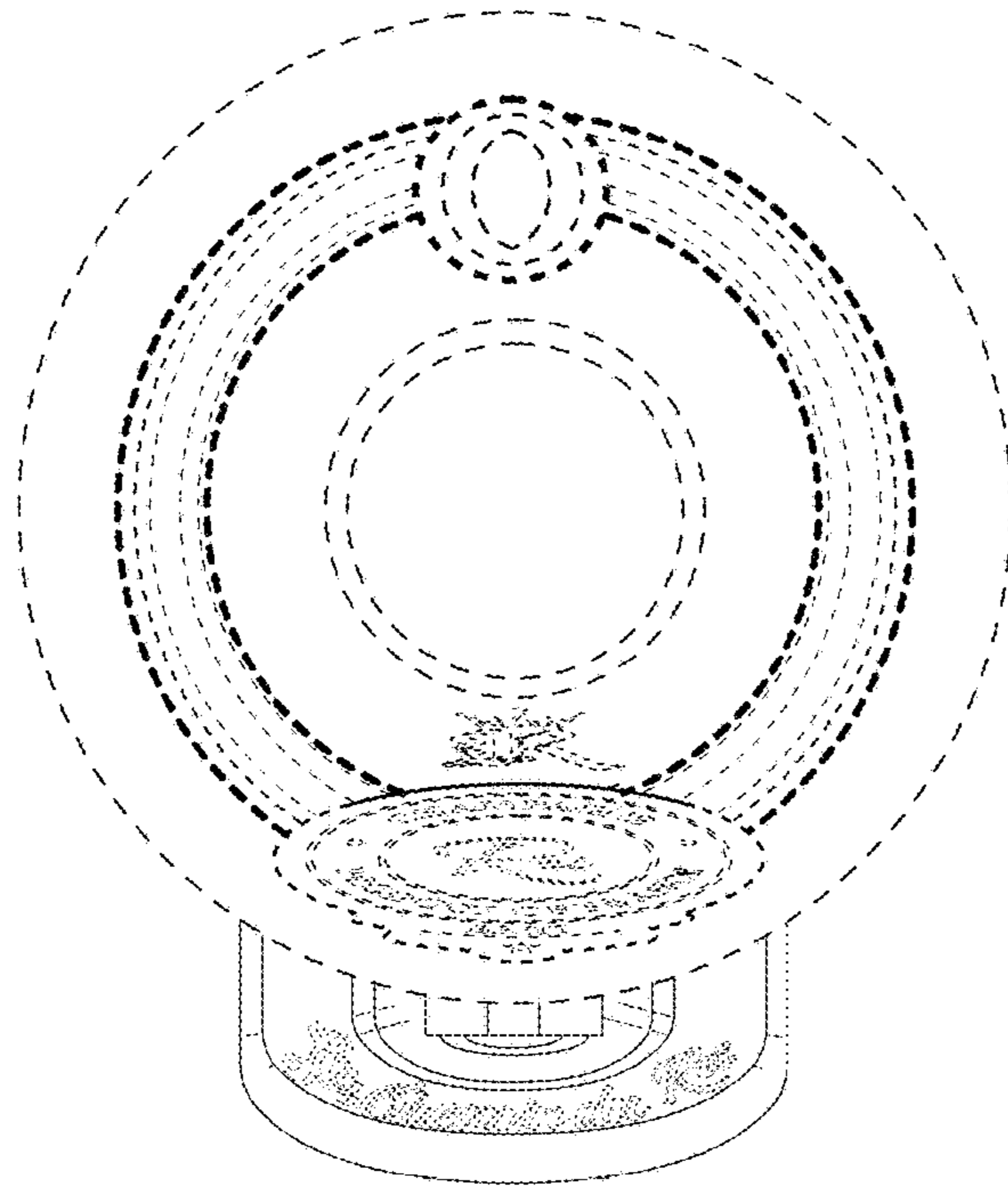


FIG. 5

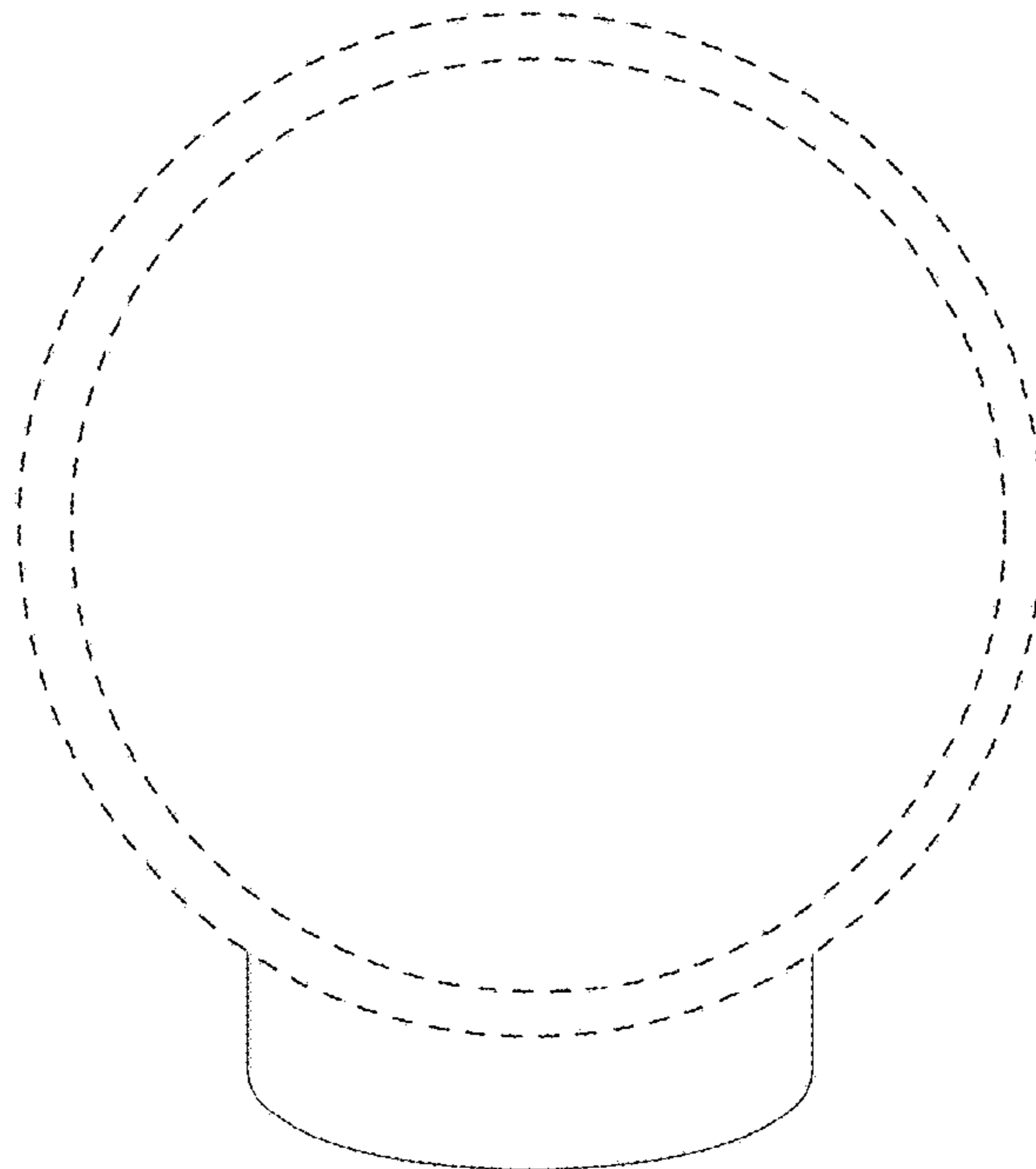


FIG. 6