

US00D839747S

(12) **United States Design Patent** (10) **Patent No.:** **US D839,747 S**
Lewis (45) **Date of Patent:** **** Feb. 5, 2019**

(54) **BEVERAGE CONTAINER**

(71) Applicant: **Randolph Tyler Stone**, Charleston, SC (US)

(72) Inventor: **Turner Lewis**, Richmond, VA (US)

(**) Term: **15 Years**

(21) Appl. No.: **29/568,440**

(22) Filed: **Jun. 17, 2016**

(51) **LOC (11) Cl.** **09-01**

(52) **U.S. Cl.**
USPC **D9/560**; D9/531; D9/575

(58) **Field of Classification Search**
USPC D9/414, 421, 518, 520, 524, 529, 560,
D9/563, 572, 575, 715, 741, 763, 779,
D9/780

CPC B65D 2543/00194; B65D 2543/00805;
B65D 2543/00694; B65D 43/163; B65D
83/06

See application file for complete search history.

(56) **References Cited**

U.S. PATENT DOCUMENTS

D103,341 S *	2/1937	Rettich	D19/84
2,838,220 A *	6/1958	Oppenheimer	B65D 77/283 229/103.1
3,298,575 A	1/1967	Larsen		
D249,331 S *	9/1978	Hubert	D9/560
4,164,851 A	8/1979	Bryant		
D286,750 S *	11/1986	Hamilton	D9/446
5,299,710 A	4/1994	Welsch et al.		
5,312,011 A	5/1994	Fischer		
5,564,583 A	10/1996	Kelley		
D454,502 S *	3/2002	Legros	D9/544
D531,514 S *	11/2006	Harris	D9/560
7,137,533 B1	11/2006	Heath		
D607,333 S *	1/2010	Przybyl, Sr.	D9/528
D642,928 S *	8/2011	Lundin	D9/449

D698,869 S *	2/2014	Strzelewicz	D21/499
8,662,328 B2	3/2014	Boisvert		
D711,237 S *	8/2014	Fleischhacker	D9/526
D718,617 S *	12/2014	Taylor	D9/422
D718,631 S *	12/2014	Pascalie	D9/418
D731,886 S *	6/2015	Taylor	D9/423
2006/0138147 A1	6/2006	Wagner		
2013/0032564 A1	2/2013	Rosbach		
2013/0213846 A1	8/2013	Hendrickson et al.		
2013/0264360 A1	10/2013	Astolfi		
2013/0264380 A1	10/2013	Dolby		
2014/0083057 A1	3/2014	Pellaud et al.		
2014/0246396 A1	9/2014	Jepson		
2014/0360908 A1	12/2014	Sorensen et al.		

(Continued)

Primary Examiner — Ian Simmons
Assistant Examiner — Keith Frank

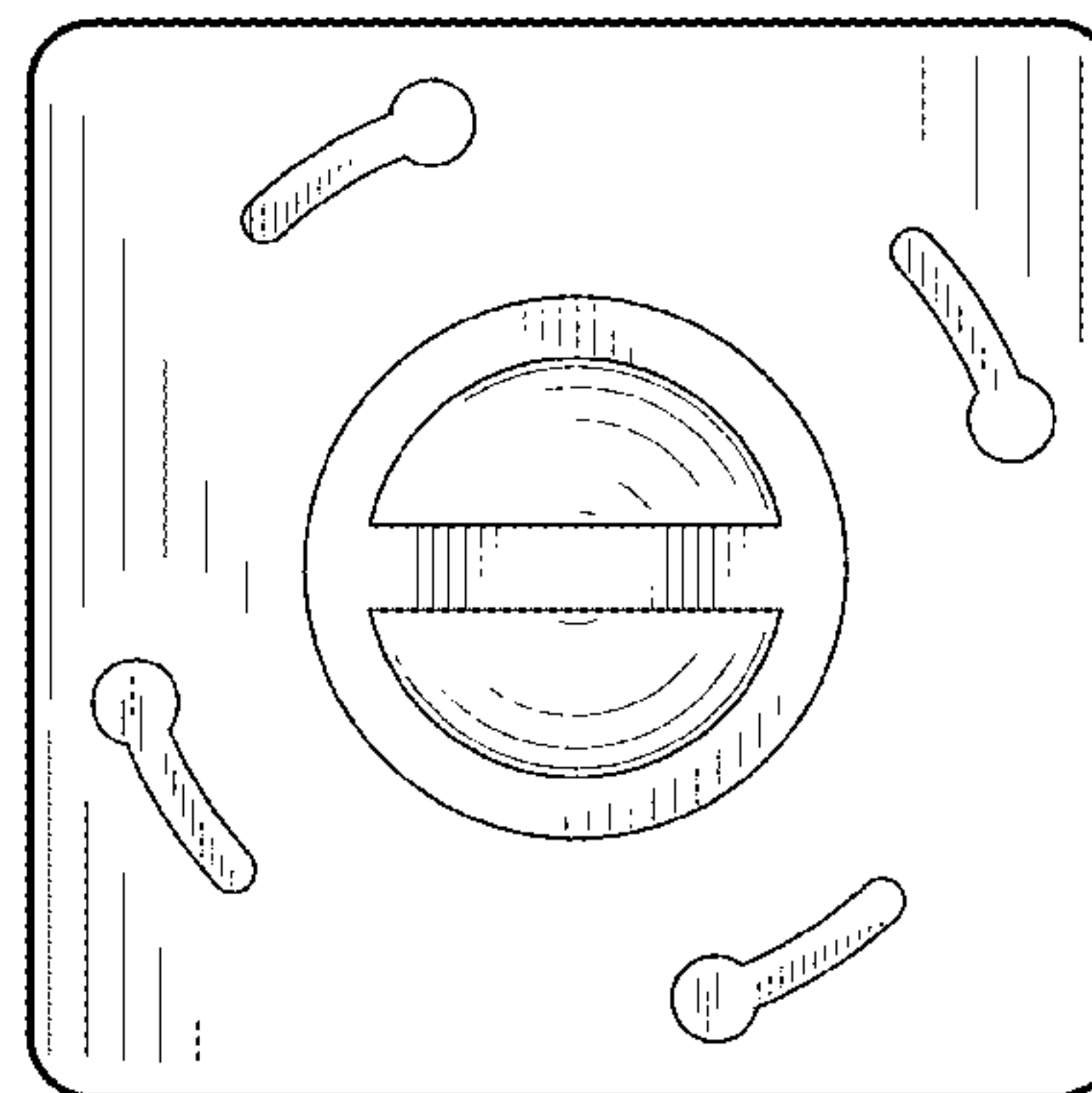
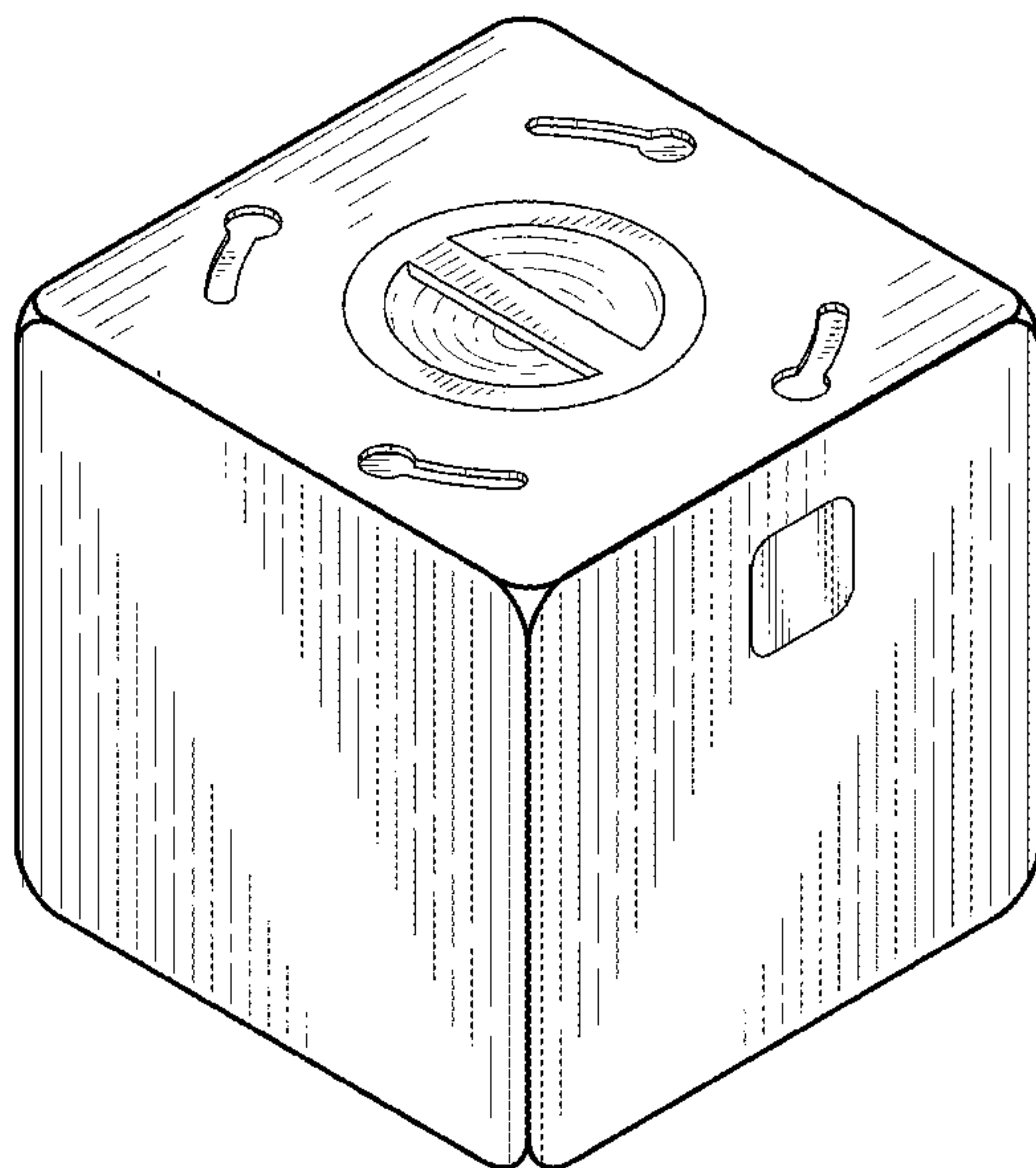
(57) **CLAIM**

The ornamental design for a beverage container, as shown.

DESCRIPTION

FIG. 1 is a perspective view of the beverage container according to a first embodiment of the invention; FIG. 2 is a top plan view of the beverage container according to the first embodiment of the invention; FIG. 3 is a front elevation view of the beverage container according to the first embodiment of the invention; FIG. 4 is a side elevation view of the beverage container according to the first embodiment of the invention; FIG. 5 is a perspective view of the beverage container according to a second embodiment of the invention; FIG. 6 is a perspective view of the beverage container according to a third embodiment of the invention; and, FIG. 7 is a perspective view of the beverage container according to a fourth embodiment of the invention. The broken lines in the drawings showing the beverage container illustrate the portions of the beverage container that form no part of the claimed design.

1 Claim, 6 Drawing Sheets



(56)

References Cited

U.S. PATENT DOCUMENTS

2014/0374443 A1 12/2014 Young et al.
2015/0041499 A1 2/2015 Hill
2015/0128810 A1 5/2015 Lehman
2015/0274501 A1 10/2015 Lehman

* cited by examiner

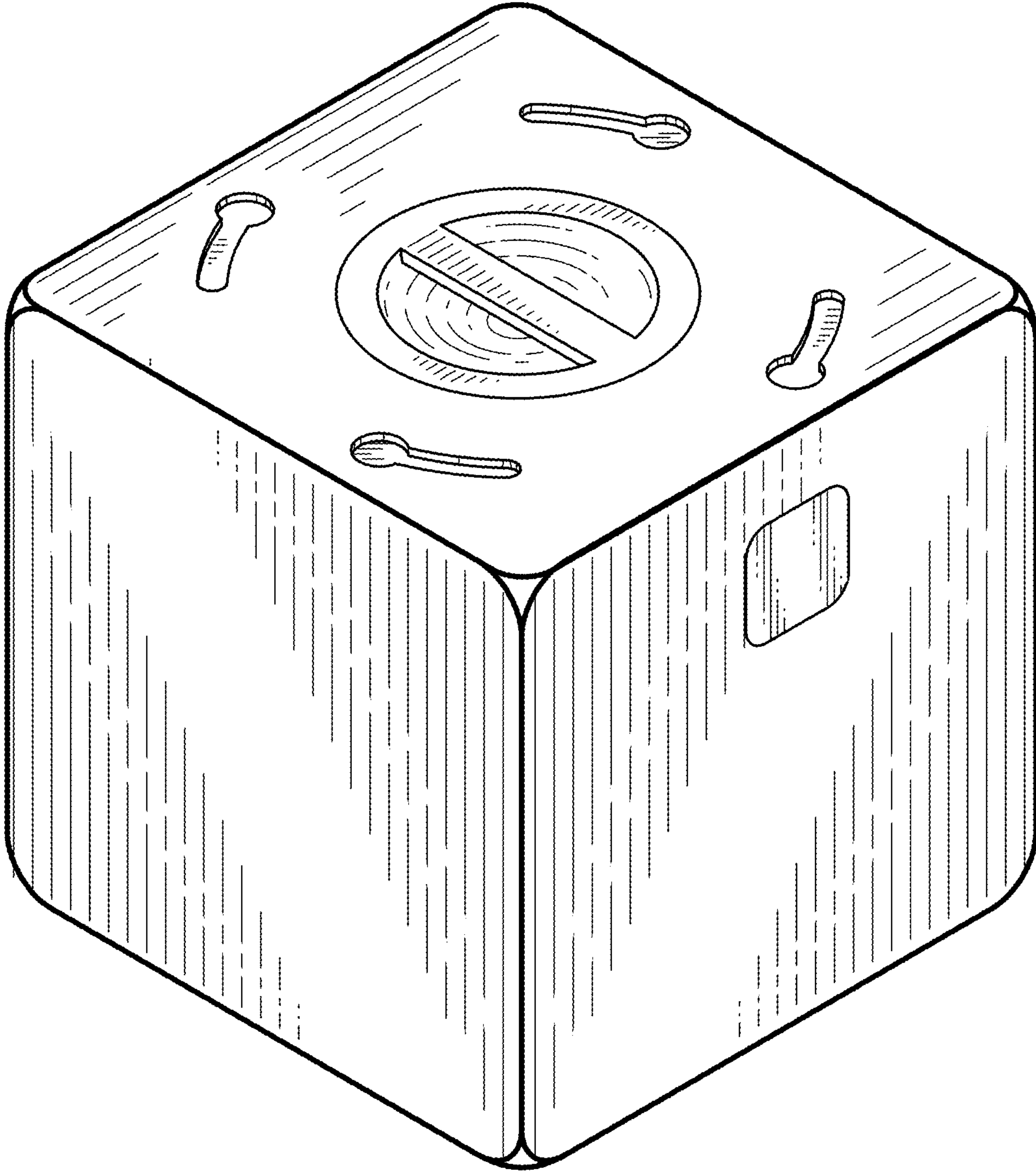


FIG. 1

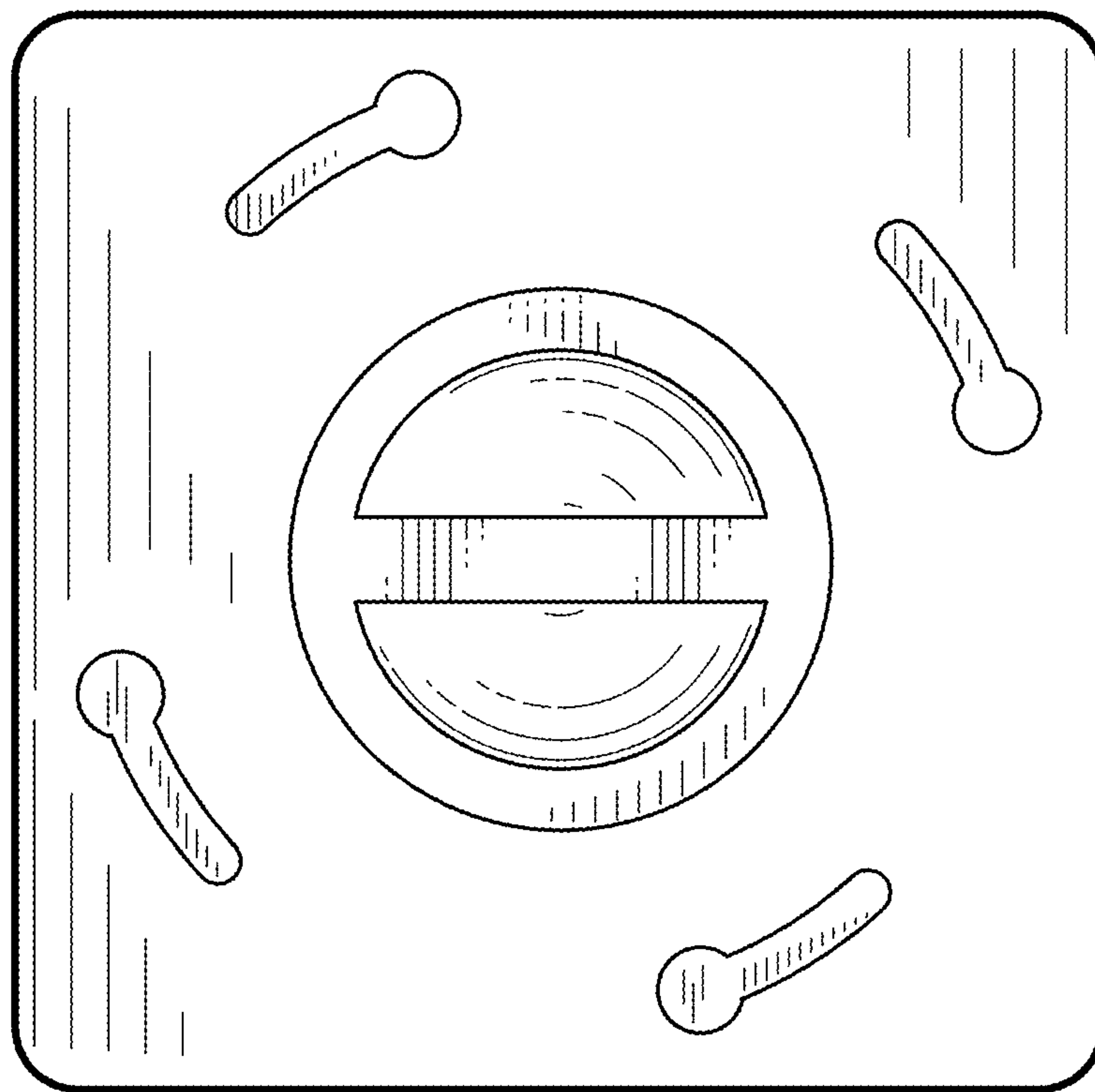


FIG. 2

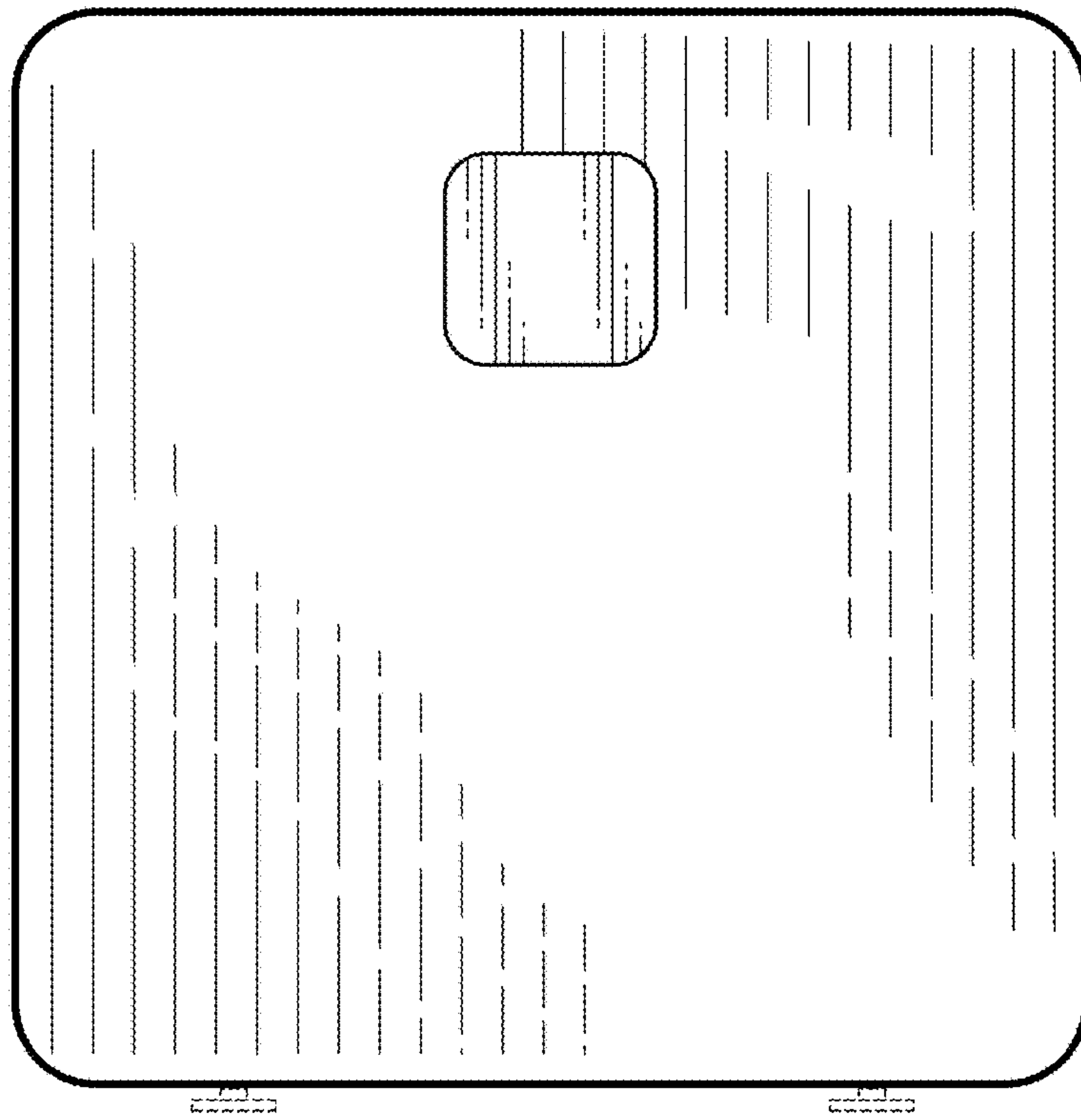


FIG. 3

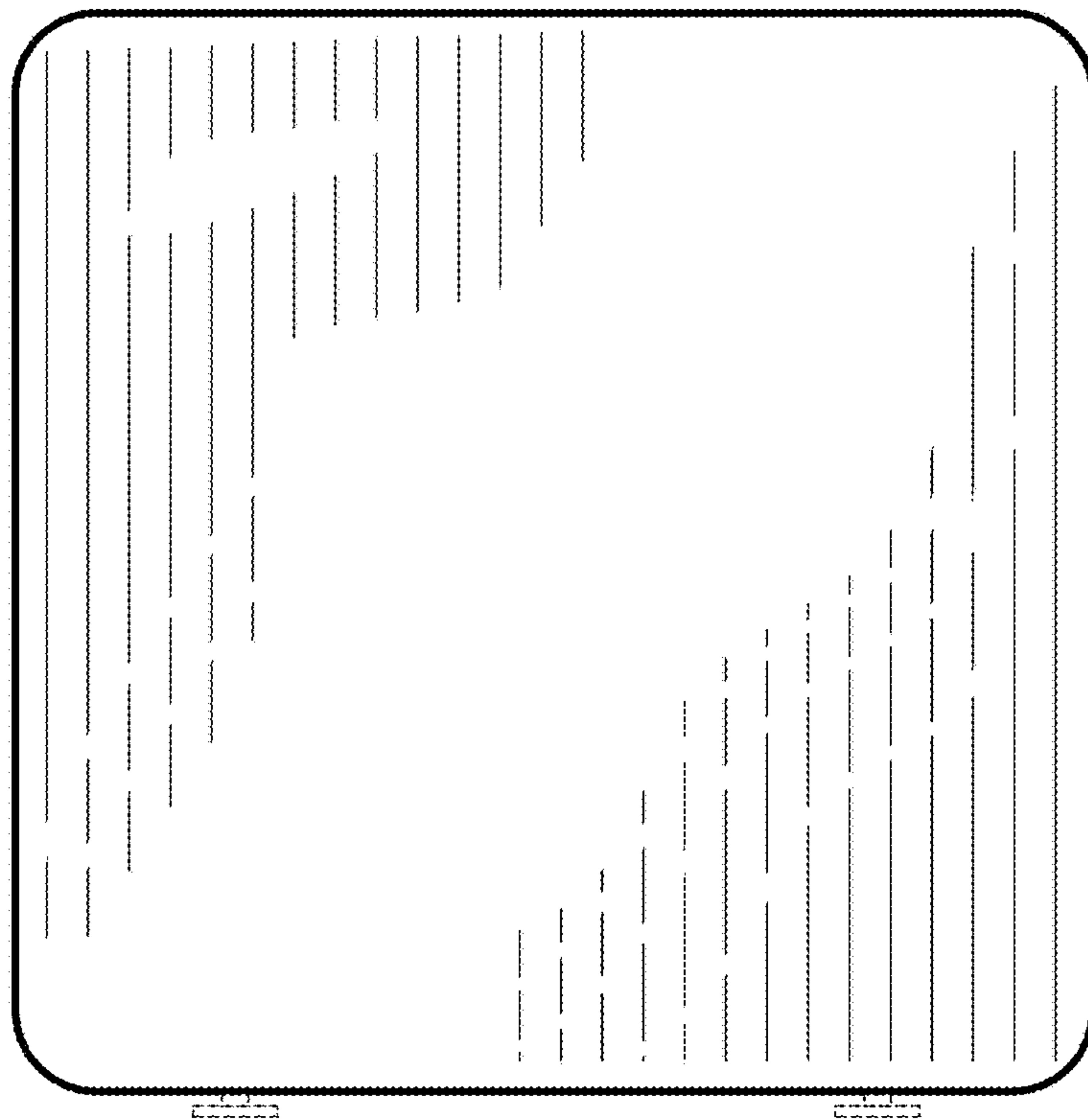


FIG. 4

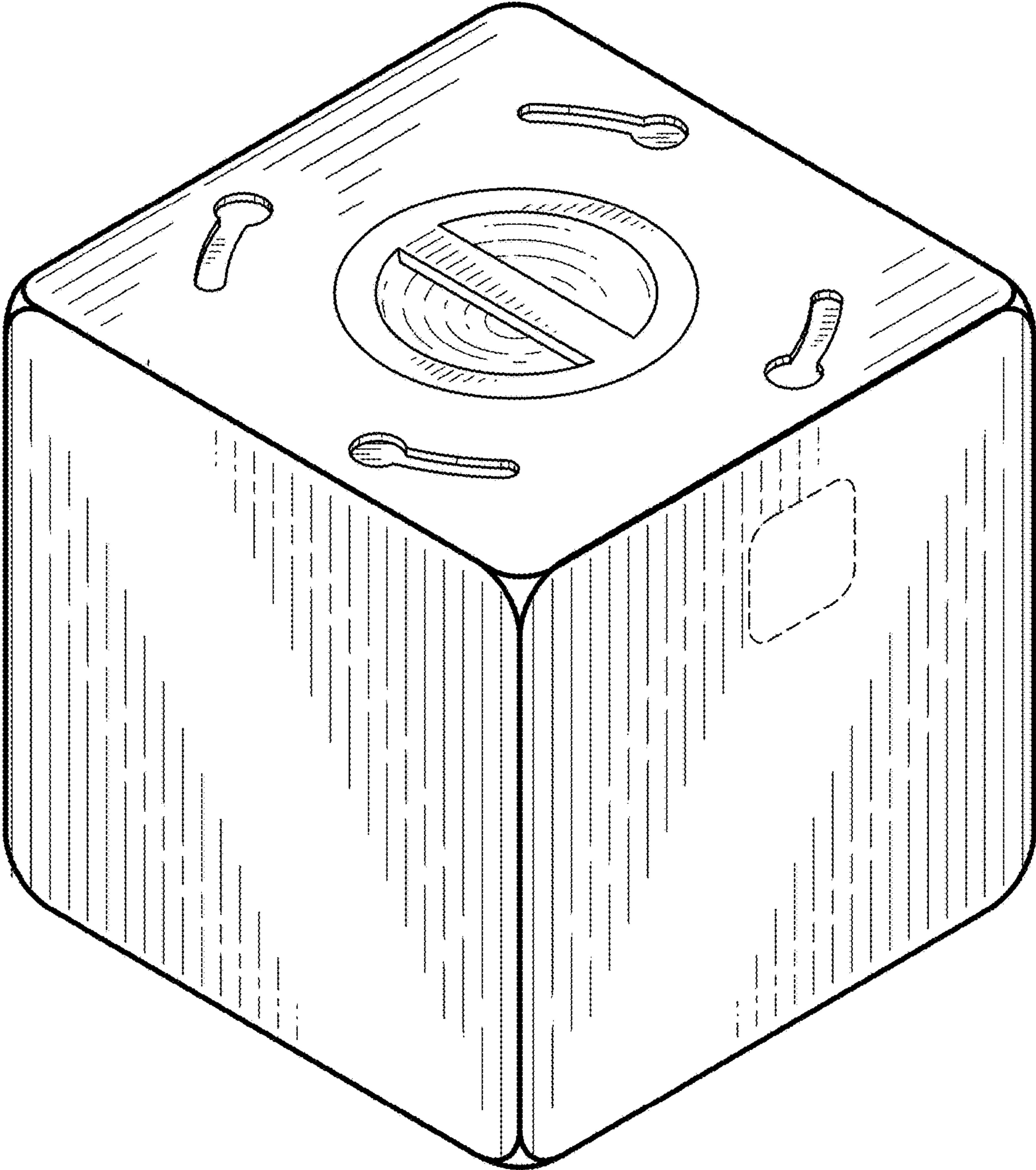


FIG. 5

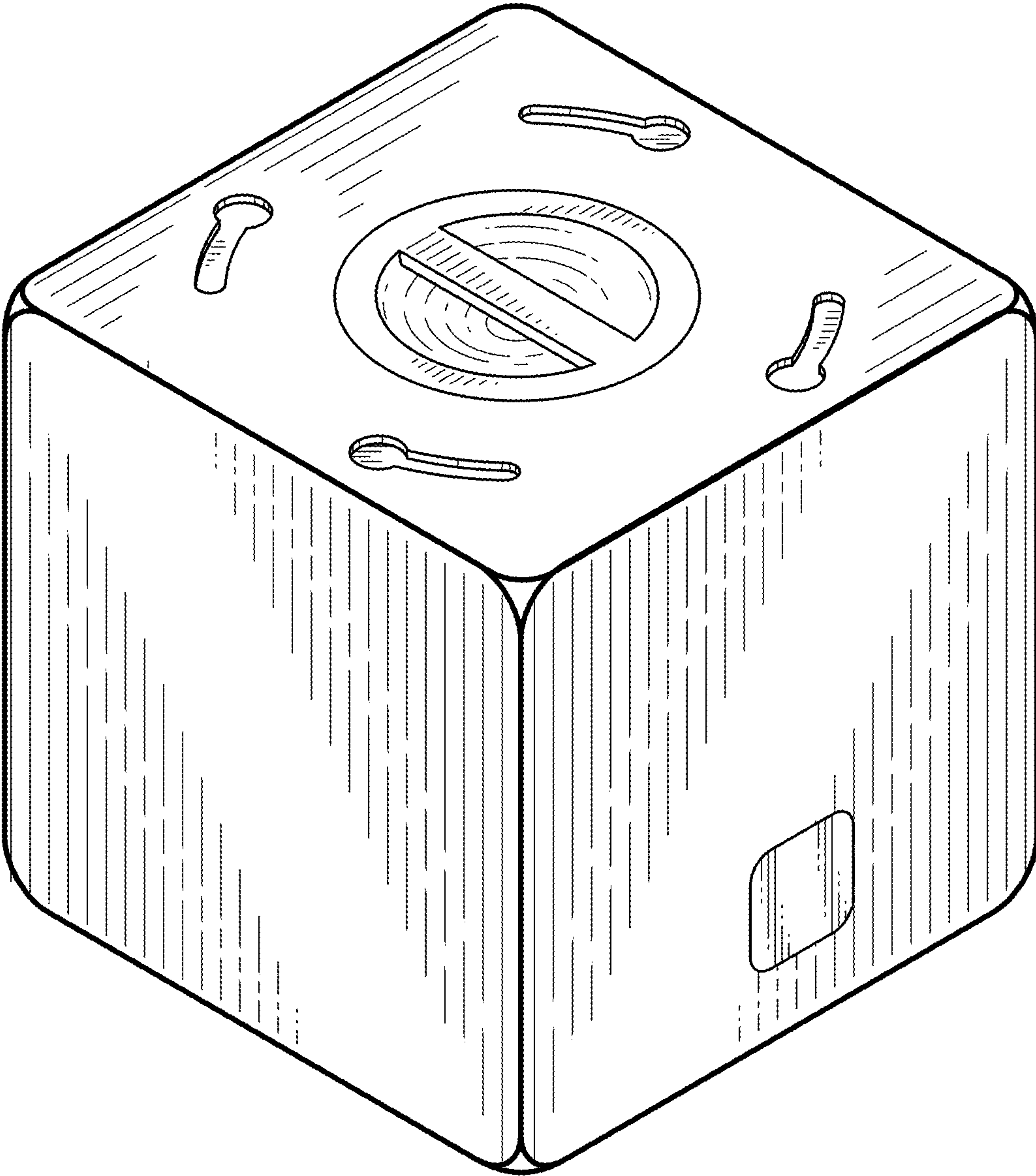


FIG. 6

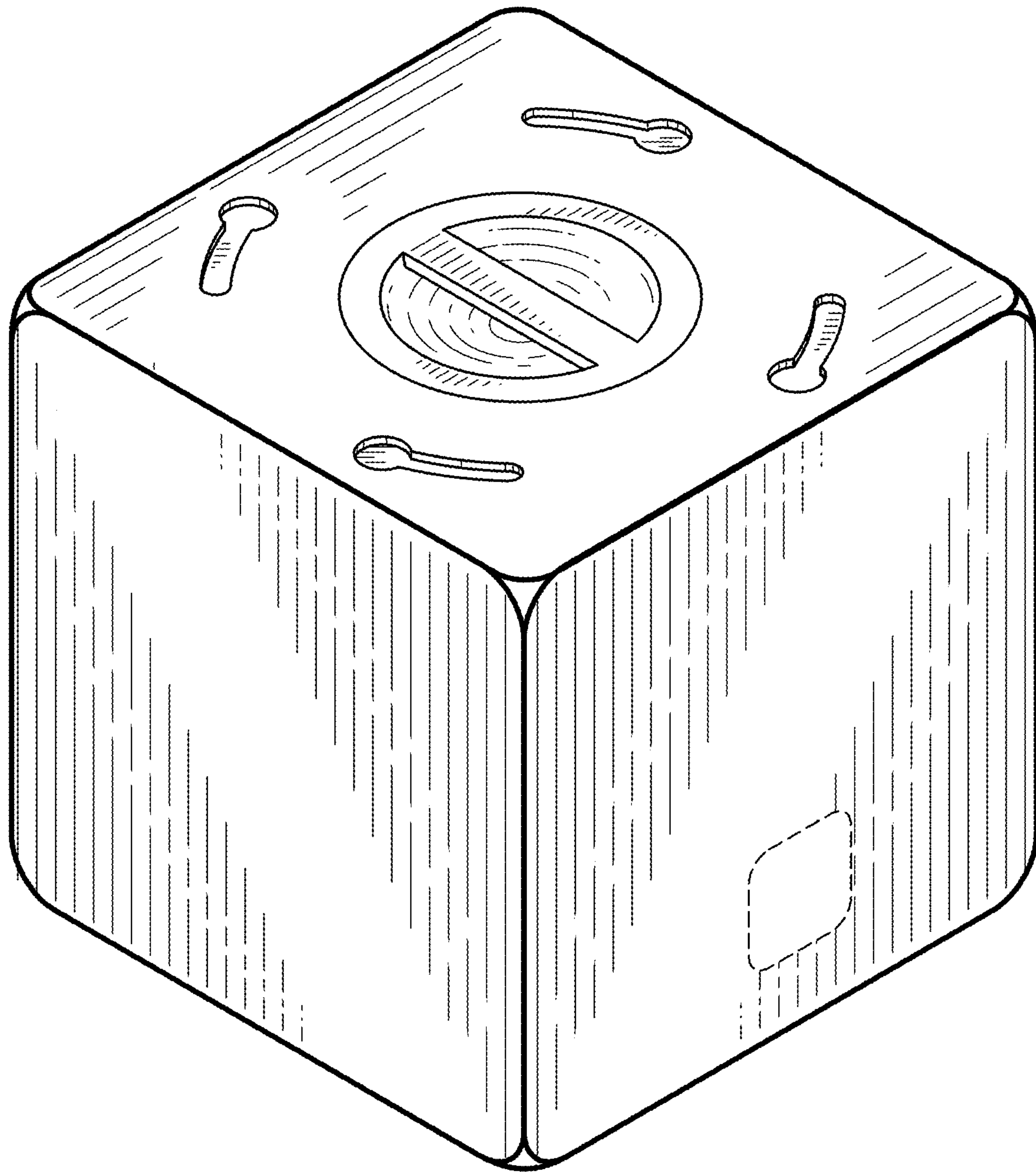


FIG. 7