



US00D839746S

(12) **United States Design Patent** (10) **Patent No.:** **US D839,746 S**  
**Yen** (45) **Date of Patent:** **\*\* Feb. 5, 2019**

(54) **BOTTLE**

(56) **References Cited**

(71) Applicant: **CONG TY CO PHAN HANG TIEU**  
**DUNG MASAN**, Ho Chi Minh (VN)

(72) Inventor: **Nguyen Hoang Yen**, Ho Chi Minh  
(VN)

(73) Assignee: **CONG TY CO PHAN HANG TIEU**  
**DUNG MASAN**, Ho Chi Minh (VN)

(\*\*) Term: **15 Years**

(21) Appl. No.: **29/605,799**

(22) Filed: **May 30, 2017**

(30) **Foreign Application Priority Data**

Nov. 29, 2016 (VN) ..... 3-2016-02472

(51) **LOC (11) Cl.** ..... **09-01**

(52) **U.S. Cl.**  
USPC ..... **D9/538; D9/564**

(58) **Field of Classification Search**  
USPC ..... D9/522, 530, 531, 543, 549, 558, 564,  
D9/565, 569, 572, 573; 215/40, 44, 200,  
215/381-384, 396; 220/288, 662, 669,  
220/675, 752, 755, 771; 222/189, 209;  
426/115  
CPC ..... B65D 1/02; B65D 1/0223; B65D 1/0246;  
B65D 5/46; B65D 41/00; B65D 41/02;  
B65D 41/04; B65D 2501/00; B65D  
2501/0009

See application file for complete search history.

U.S. PATENT DOCUMENTS

D94,471 S *	2/1935	Englander .....	D9/562
D210,351 S *	3/1968	Fuerst .....	D9/500
D260,239 S *	8/1981	Barrash .....	D9/549
D542,659 S *	5/2007	Meether .....	D23/211.1
D560,445 S *	1/2008	Tardif .....	D7/679
D576,040 S *	9/2008	Martins, Jr. ....	D9/502
D610,882 S *	3/2010	Jossem .....	D7/597
D665,620 S *	8/2012	Chapman .....	D7/376
D675,485 S *	2/2013	Frank .....	D7/629
D689,368 S *	9/2013	Kim .....	D9/451

\* cited by examiner

*Primary Examiner* — Derrick E Holland

*Assistant Examiner* — Janice Patyk

(74) *Attorney, Agent, or Firm* — Muncy, Geissler, Olds & Lowe, P.C.

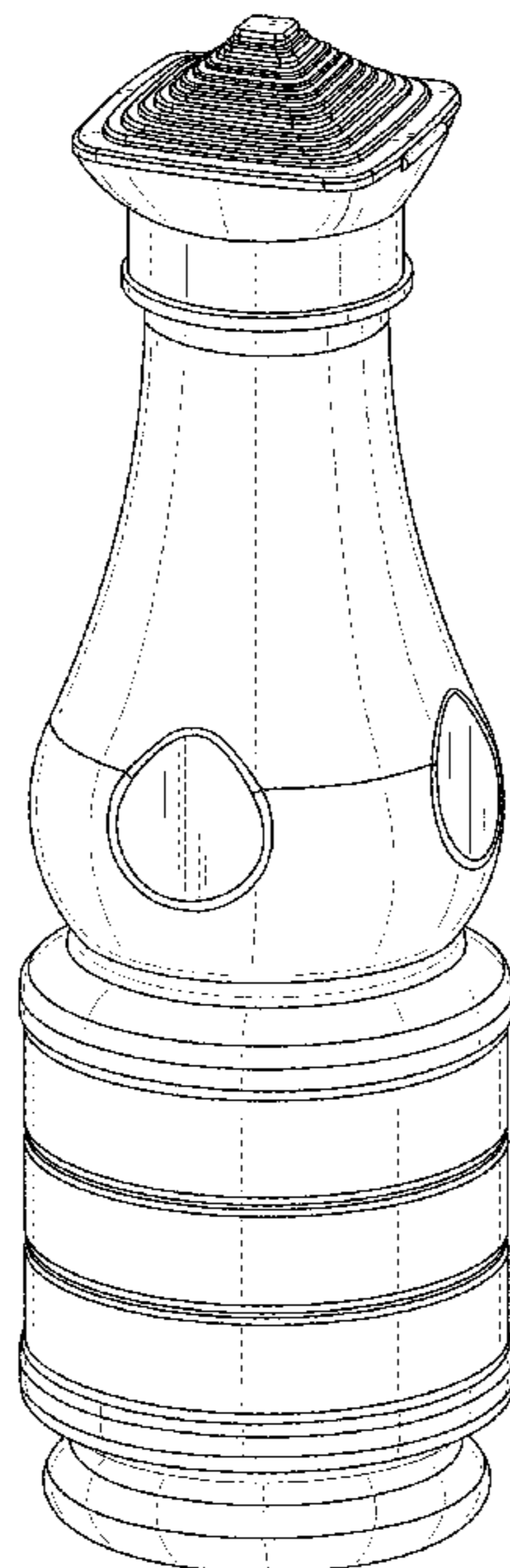
(57) **CLAIM**

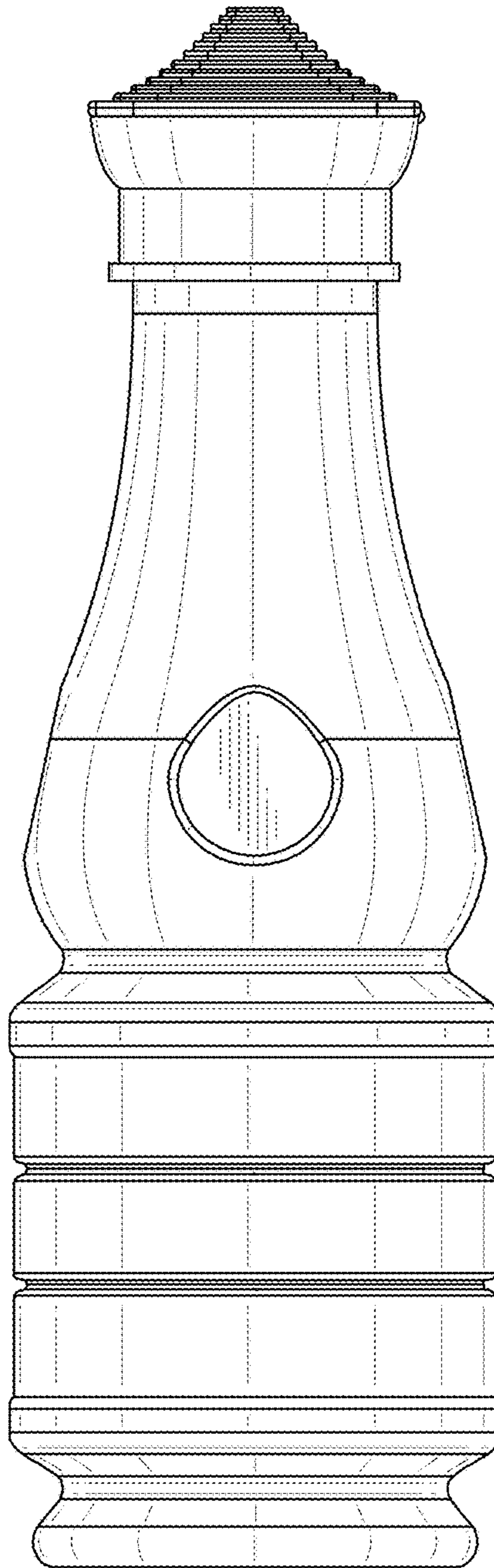
The ornamental design for a bottle, as shown and described.

**DESCRIPTION**

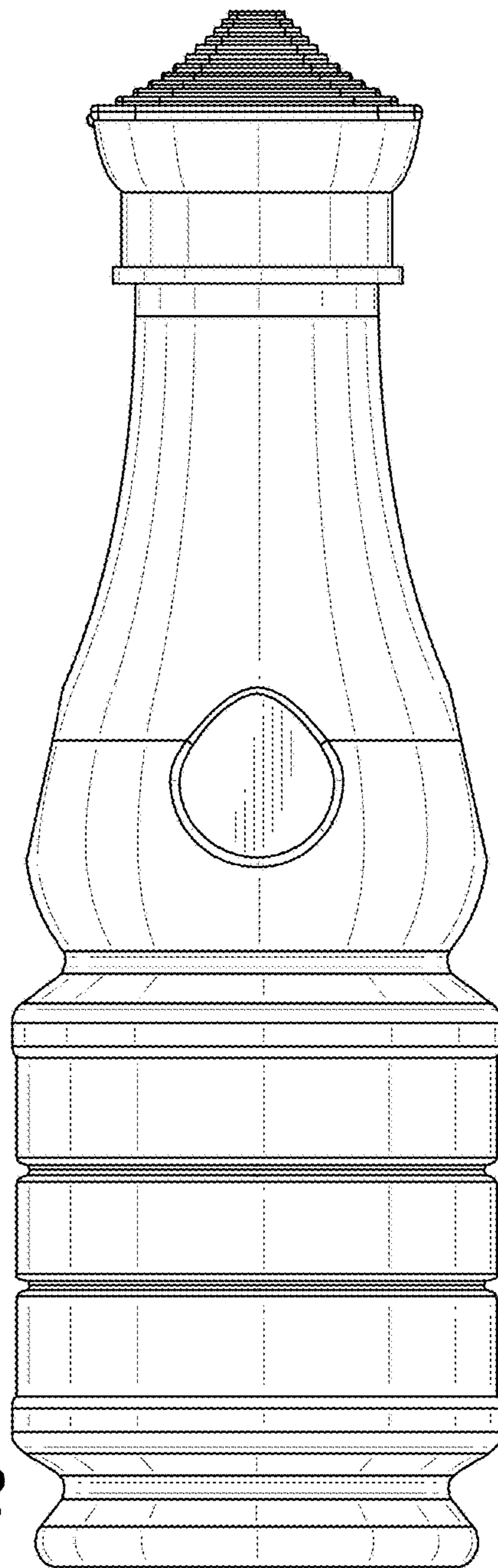
FIG. 1 is a front elevational view of a bottle, showing my new design;  
FIG. 2 is a rear elevational view thereof;  
FIG. 3 is a left side view thereof;  
FIG. 4 is a right side view thereof;  
FIG. 5 is a top plan view thereof; and  
FIG. 6 is a bottom plan view thereof; and,  
FIG. 7 is a perspective view thereof.  
The broken lines in the figure illustrate the portions of the design that form no part of the claimed design.

**1 Claim, 7 Drawing Sheets**

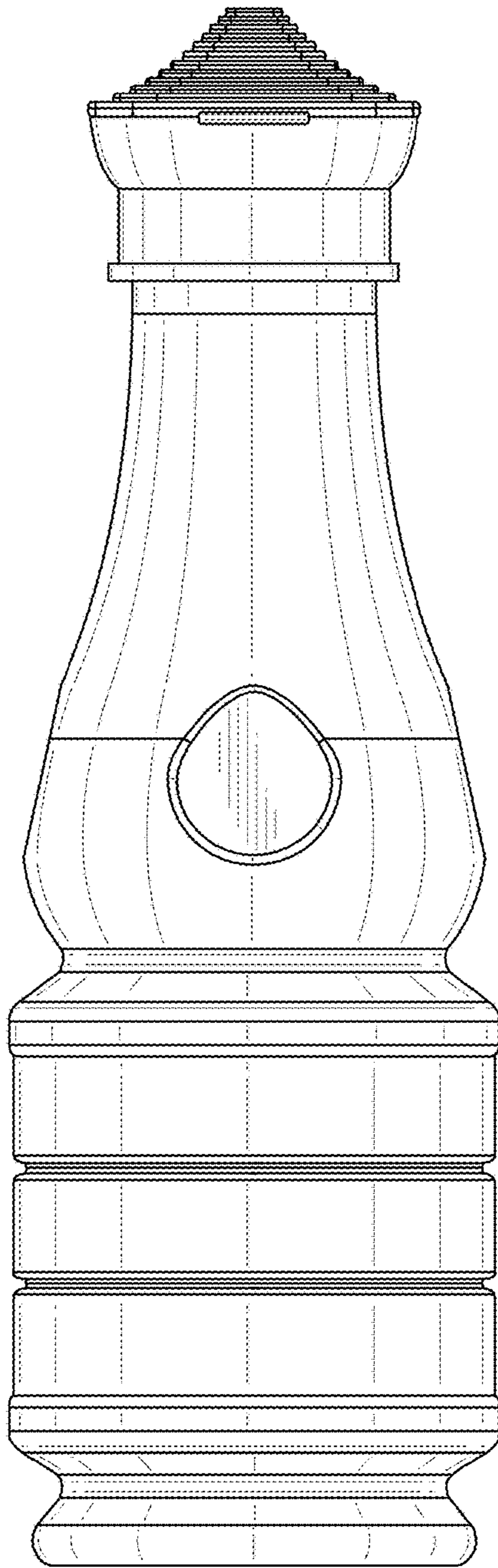




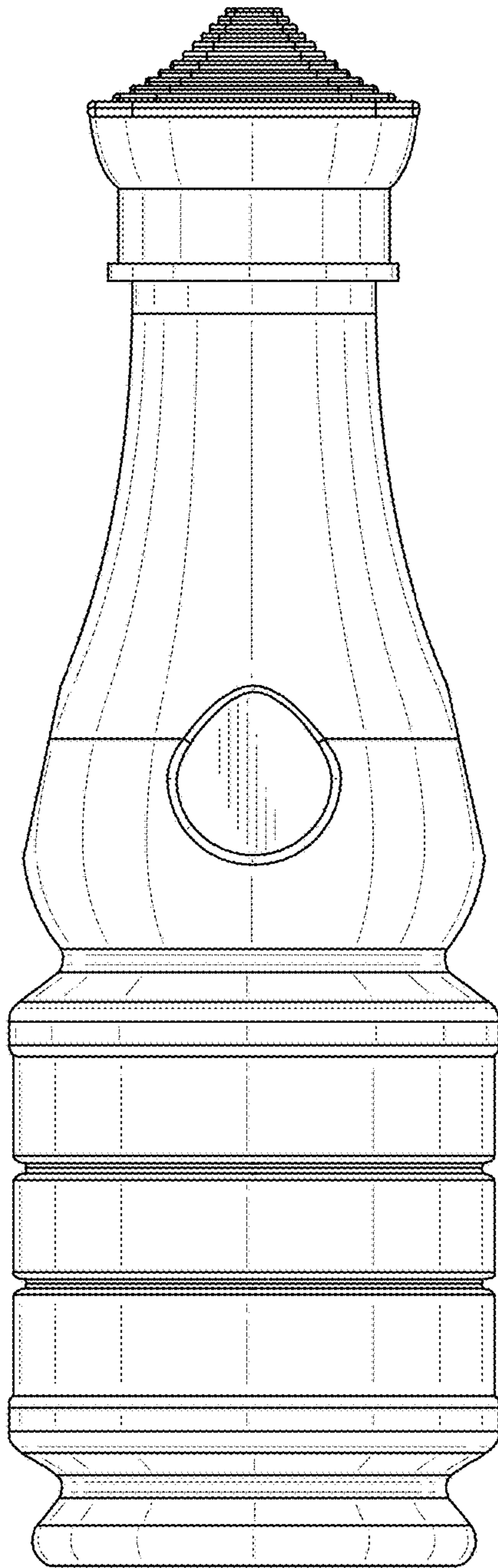
**FIG. 1**



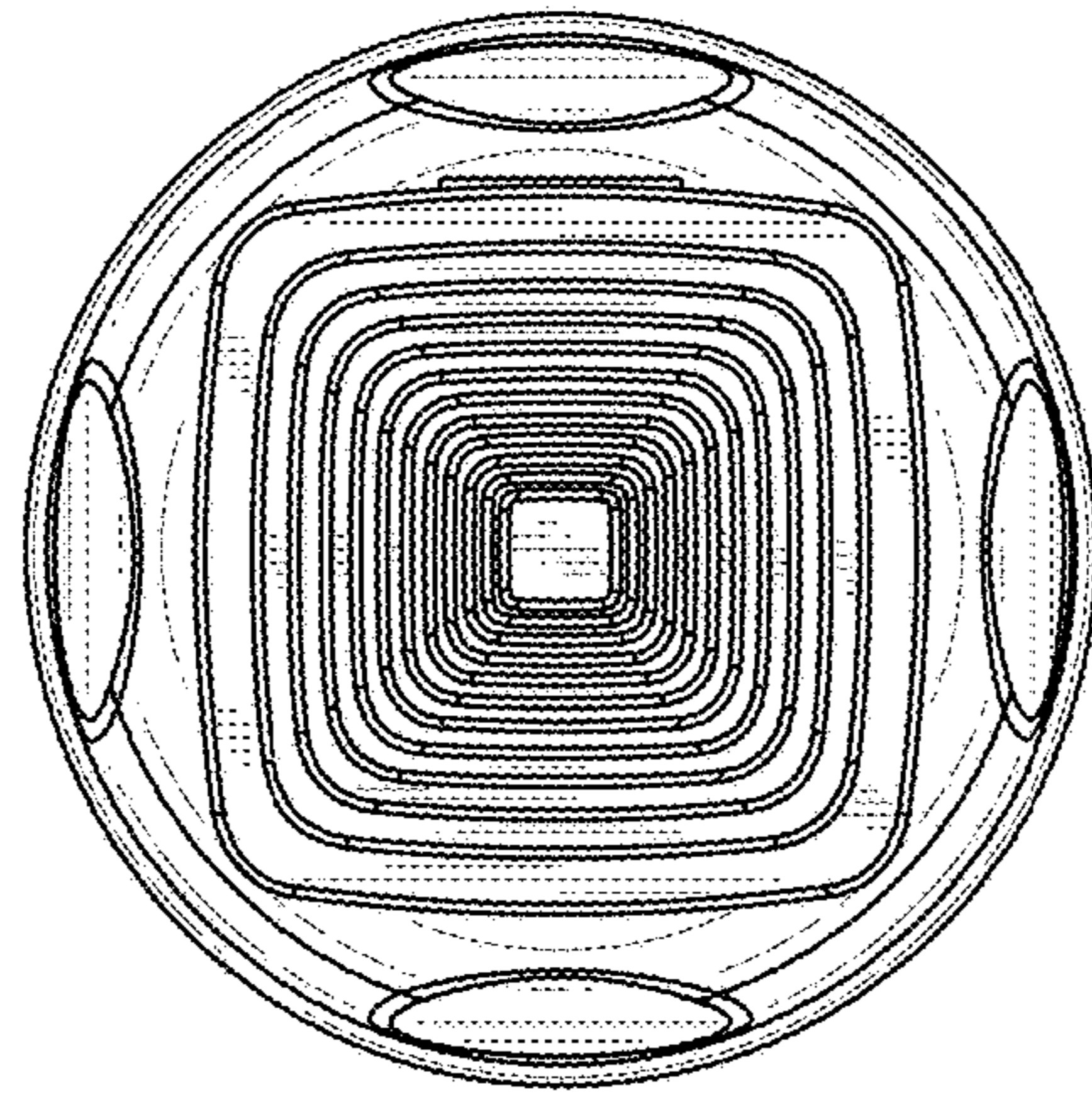
**FIG. 2**



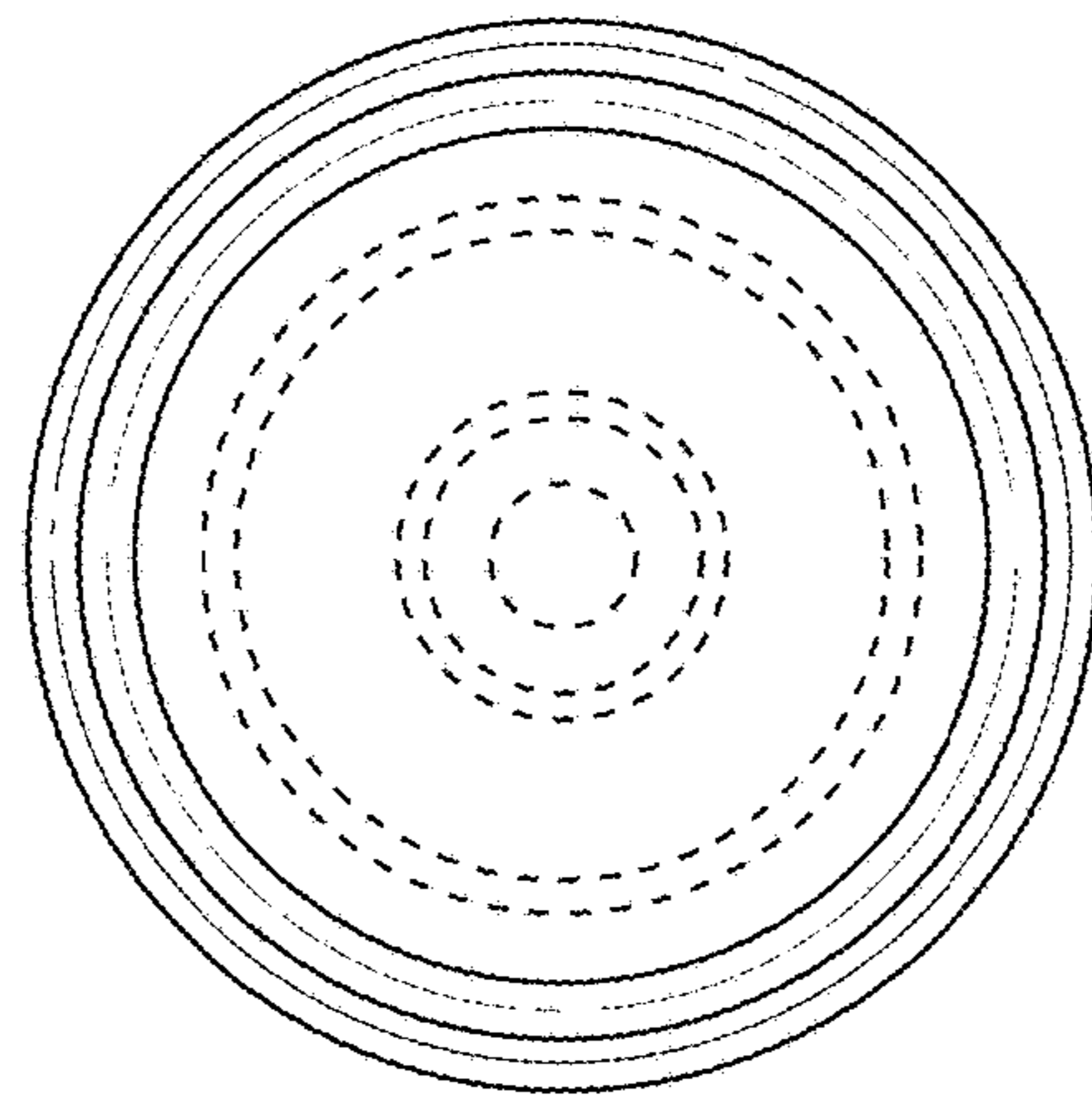
**FIG. 3**



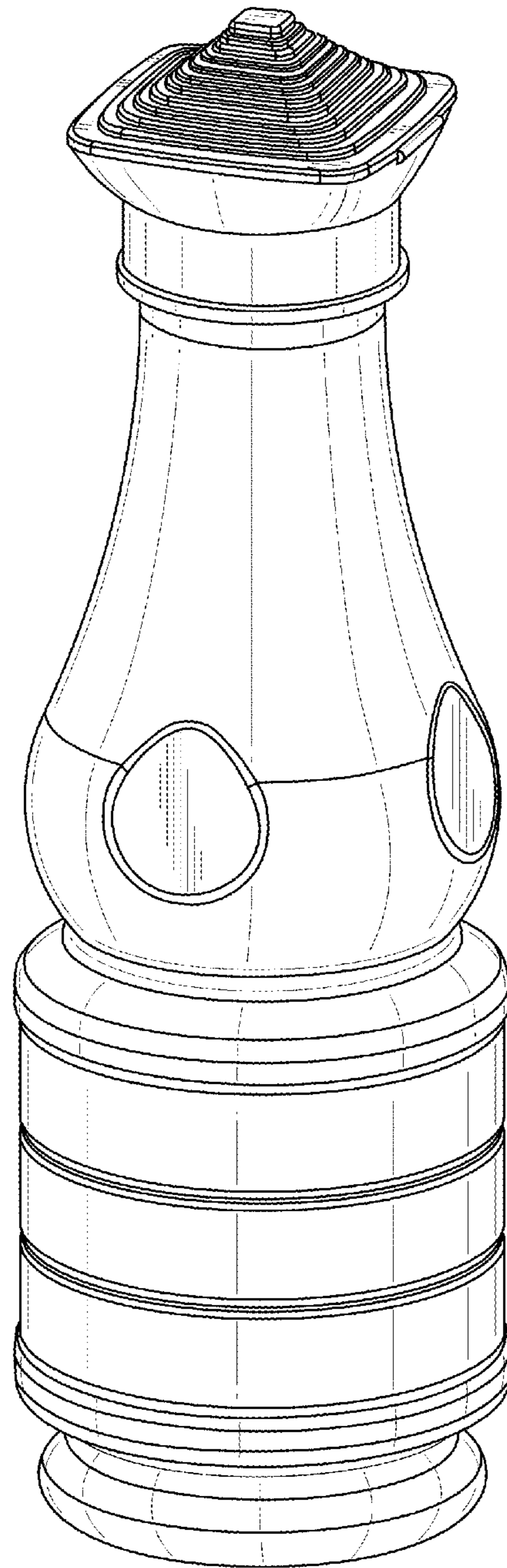
**FIG. 4**



**FIG. 5**



**FIG. 6**



**FIG. 7**