



US00D839745S

(12) **United States Design Patent** (10) **Patent No.:** **US D839,745 S**
Rehman et al. (45) **Date of Patent:** **** Feb. 5, 2019**

(54) **PACKAGE**

(71) Applicant: **NeutriSci International Inc.**, Calgary, Alberta (CA)

(72) Inventors: **Glen Rehman**, Calgary (CA); **William Wagner**, Calgary (CA); **Keith Bushfield**, Calgary (CA)

(73) Assignee: **NeutriSci International Inc.** (CA)

(**) Term: **15 Years**

(21) Appl. No.: **29/560,537**

(22) Filed: **Apr. 7, 2016**

(30) **Foreign Application Priority Data**

Oct. 9, 2015 (CA) 164890

(51) **LOC (11) Cl.** **09-01**

(52) **U.S. Cl.**
USPC **D9/529**; D9/542

(58) **Field of Classification Search**
USPC D9/434, 435, 436, 449, 452, 454, 516, D9/519, 521, 522, 529, 549, 551, 552, D9/554, 555, 558, 575, 715, 719, 725, D9/726, 728; D23/366, 367; D28/82, D28/85, 90, 91.1

CPC A45D 33/18; A45D 19/02; A45D 34/02; B65D 2543/00351; B65D 1/14

See application file for complete search history.

(56) **References Cited**

U.S. PATENT DOCUMENTS

D272,991 S * 3/1984 Thompson D9/529
D288,780 S * 3/1987 Miller D9/529
D306,519 S * 3/1990 Nakata D3/206
4,923,059 A * 5/1990 Evers B65D 85/1045
206/204

D332,749 S * 1/1993 Pisar D9/529
D333,975 S * 3/1993 Moore D9/687
D341,315 S * 11/1993 Seymour D9/529
D351,043 S * 9/1994 Parker D27/154
D367,230 S * 2/1996 Paglina D9/529
D426,466 S * 6/2000 Nevins D9/529
D475,616 S * 6/2003 Lambrecht D9/727
D527,179 S * 8/2006 Raile D3/263
D540,687 S * 4/2007 Egawa D9/529
D558,060 S * 12/2007 Sir D9/687
D571,556 S * 6/2008 Raile D3/265
D617,097 S * 6/2010 Raile D3/263
D643,740 S * 8/2011 Pantelleria D9/439
D683,902 S * 6/2013 Zotalis D28/76
D718,142 S * 11/2014 Son D9/529
D762,003 S * 7/2016 Lomeli D27/163
D794,464 S * 8/2017 Graenitz D9/529

* cited by examiner

Primary Examiner — Ian Simmons

Assistant Examiner — Keith Frank

(74) *Attorney, Agent, or Firm* — St. Onge Steward
Johnston & Reens, LLC

(57) **CLAIM**

The ornamental design for a package, as shown and described.

DESCRIPTION

FIG. 1 is a perspective view of a package illustrating the present design;

FIG. 2 is a front elevational view thereof; the rear elevational view being a mirror image thereof;

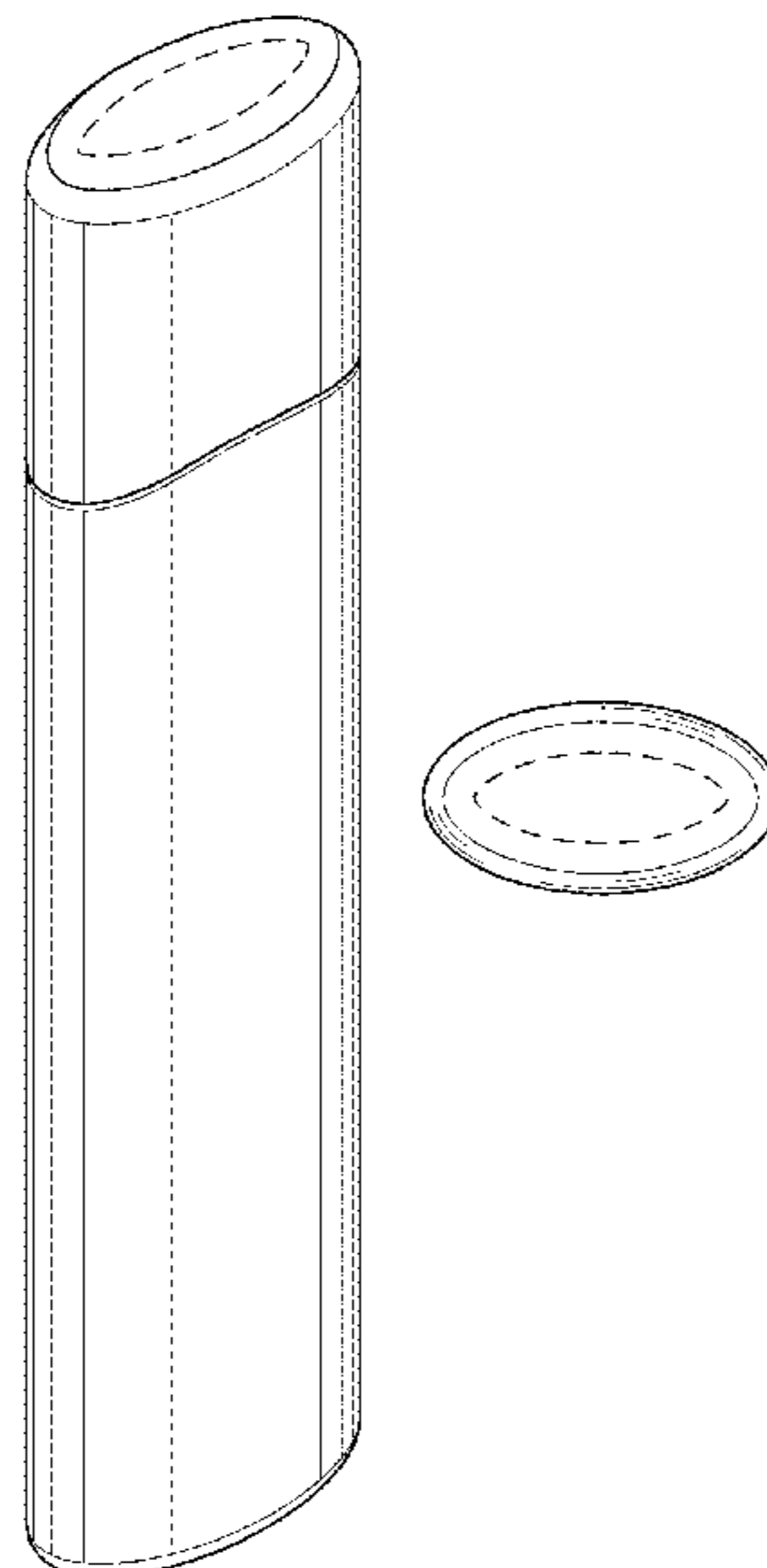
FIG. 3 is a left side elevational view thereof; the right side elevational view being a mirror image thereof;

FIG. 4 is a top plan view thereof; and,

FIG. 5 is a bottom plan view thereof.

The broken lines in the drawings showing of the package illustrate the portions of the package that form no part of the claimed design.

1 Claim, 5 Drawing Sheets



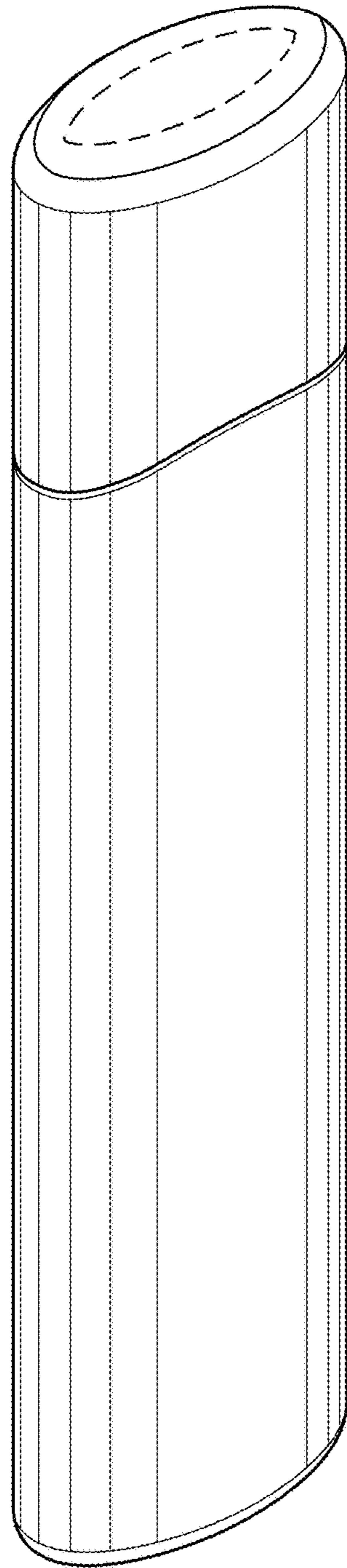


FIG. 1

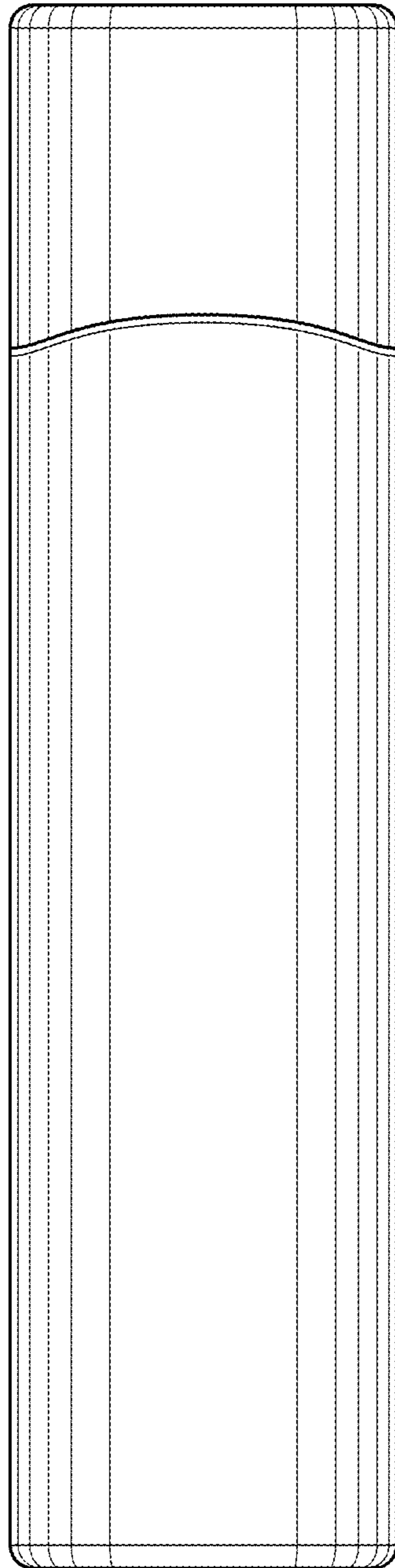


FIG. 2

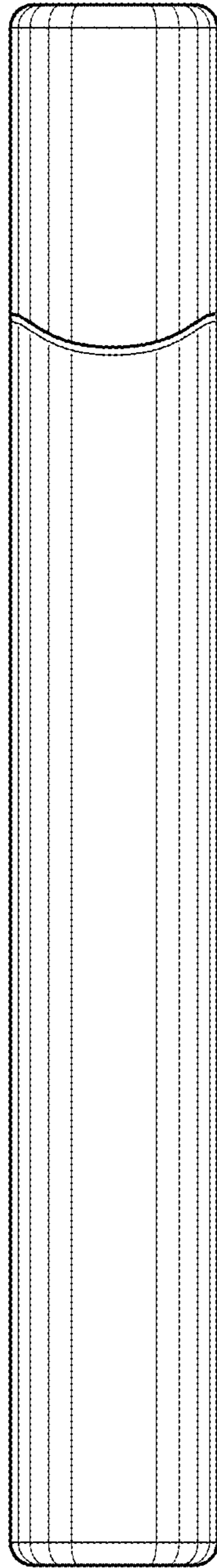


FIG. 3

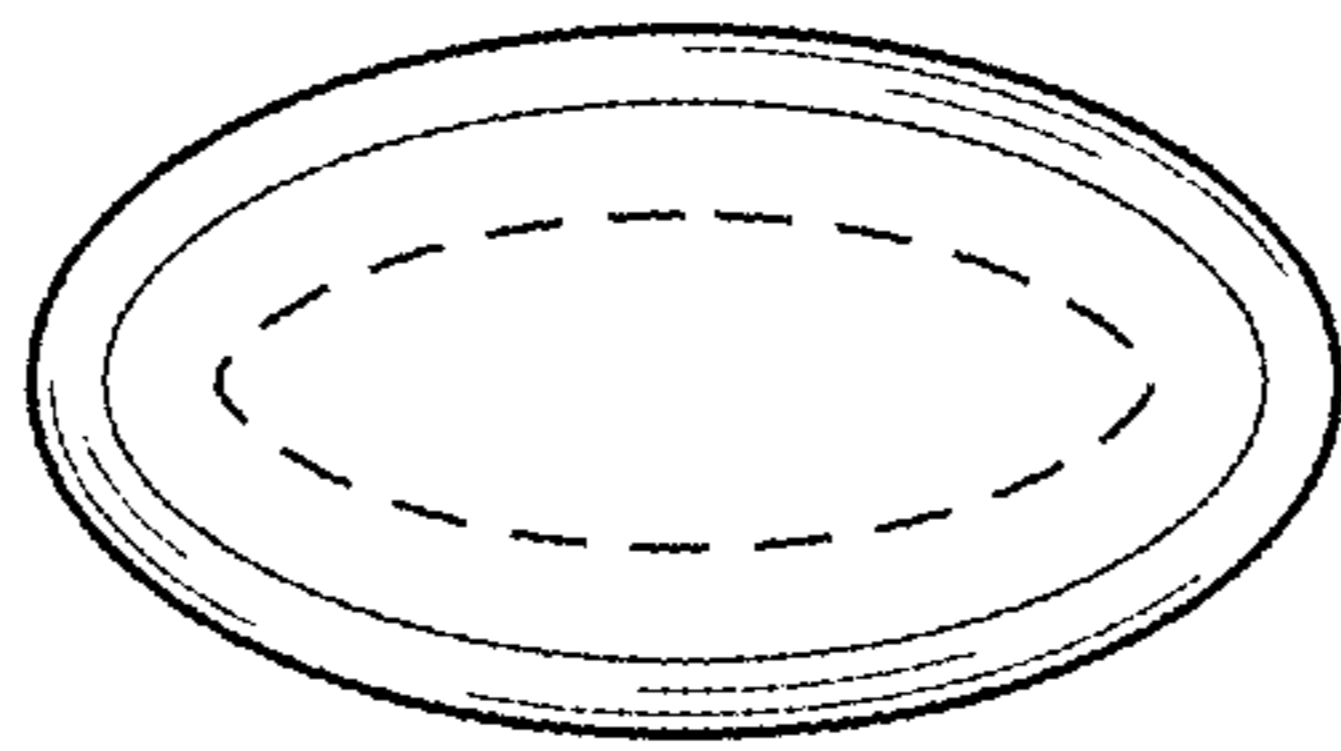


FIG. 4

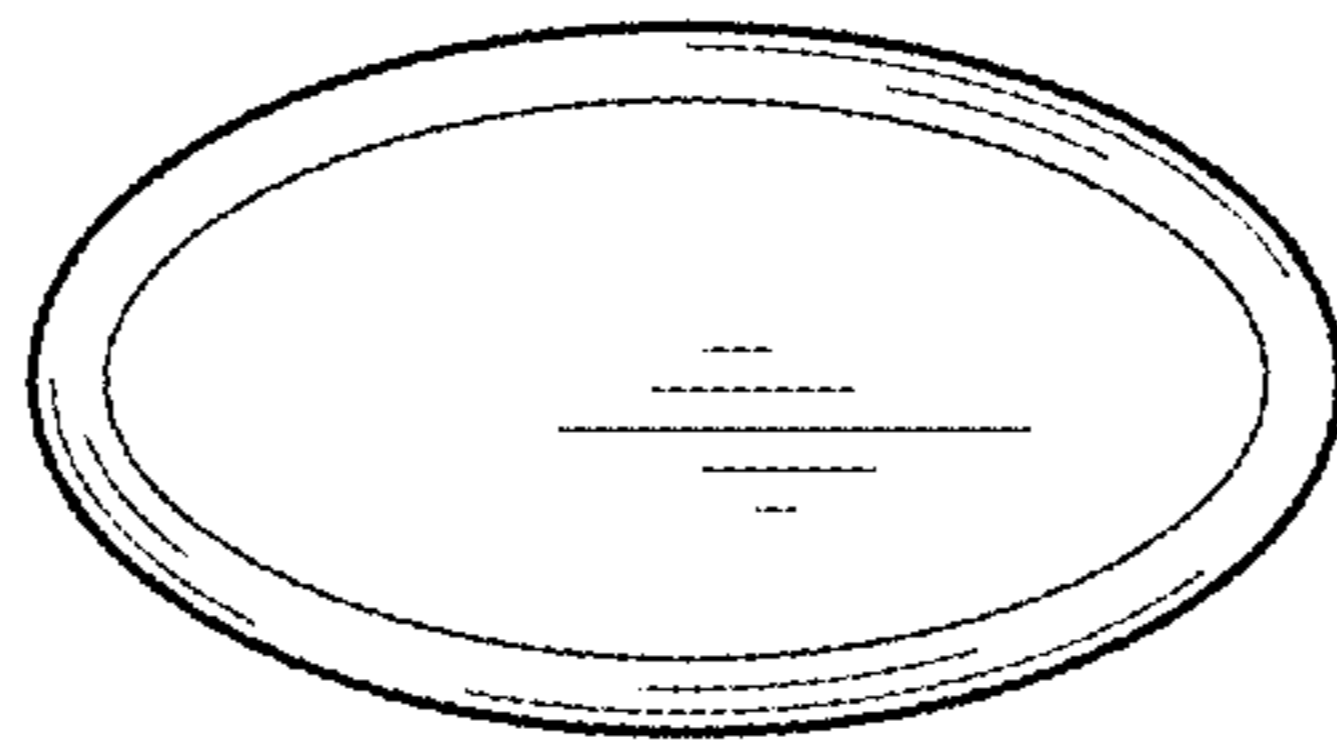


FIG. 5