



US00D839742S

(12) **United States Design Patent** (10) **Patent No.:** **US D839,742 S**
Phillips et al. (45) **Date of Patent:** **** Feb. 5, 2019**

- (54) **BOTTLE**
- (71) Applicant: **GARGLE WATER, INC.**, McKinney, TX (US)
- (72) Inventors: **Matthew L. Phillips**, Litchfield, CT (US); **Robert H. Bruno**, Avon, CT (US)
- (73) Assignee: **GARGLE WATER, INC.**, McKinney, TX (US)
- (**) Term: **15 Years**
- (21) Appl. No.: **29/614,882**
- (22) Filed: **Aug. 24, 2017**
- (51) **LOC (11) Cl.** **09-01**
- (52) **U.S. Cl.**
USPC **D9/516; D9/571**
- (58) **Field of Classification Search**
USPC D7/300–322, 391–396.2, 509–511, 523, D7/589, 598, 612, 615, 619.1; D9/435, D9/436, 439, 440, 443, 447, 454, 500, D9/503–505, 516–575, 763–783; 215/40–55, 316–354, 370–385; 220/574–575; D4/116; D6/515–519, D6/542–545; D28/7, 57, 73, 76–91.1
CPC B65D 1/00; B65D 1/02; B65D 1/0223; B65D 1/023; B65D 1/0276
See application file for complete search history.

- D633,801 S * 3/2011 Adamson D9/516
- D649,060 S * 11/2011 Wheaton D9/542
- D657,678 S * 4/2012 Heidel D9/516
- D691,485 S * 10/2013 Beck D9/564
- D773,308 S * 12/2016 Beckerman D9/444
- D798,723 S * 10/2017 Nguyen D9/542
- D803,062 S * 11/2017 Castillo Higareda D9/516
- D818,827 S * 5/2018 Berger D9/516

OTHER PUBLICATIONS

“Is Mouthwash Safe for My Child?” dentists4kids.com. Sep. 9, 2016. Accessed Nov. 19, 2018. Available online at URL: <http://www.dentists4kids.com/mouthwash-safe-child/> (Year: 2016).*

“Gargle Water—Products.” garglewater.com. Available Sep. 6, 2014. Accessed Nov. 19, 2018. Available online via Internet Archive Wayback Machine at URL: <https://web.archive.org/web/20140906171145/http://garglewater.com/products/> (Year : 2014).*

* cited by examiner

Primary Examiner — Cathron C Brooks
Assistant Examiner — Christian P. McLean
 (74) *Attorney, Agent, or Firm* — Avery N. Goldstein; Blue Filament Laww PLLC

(57) **CLAIM**

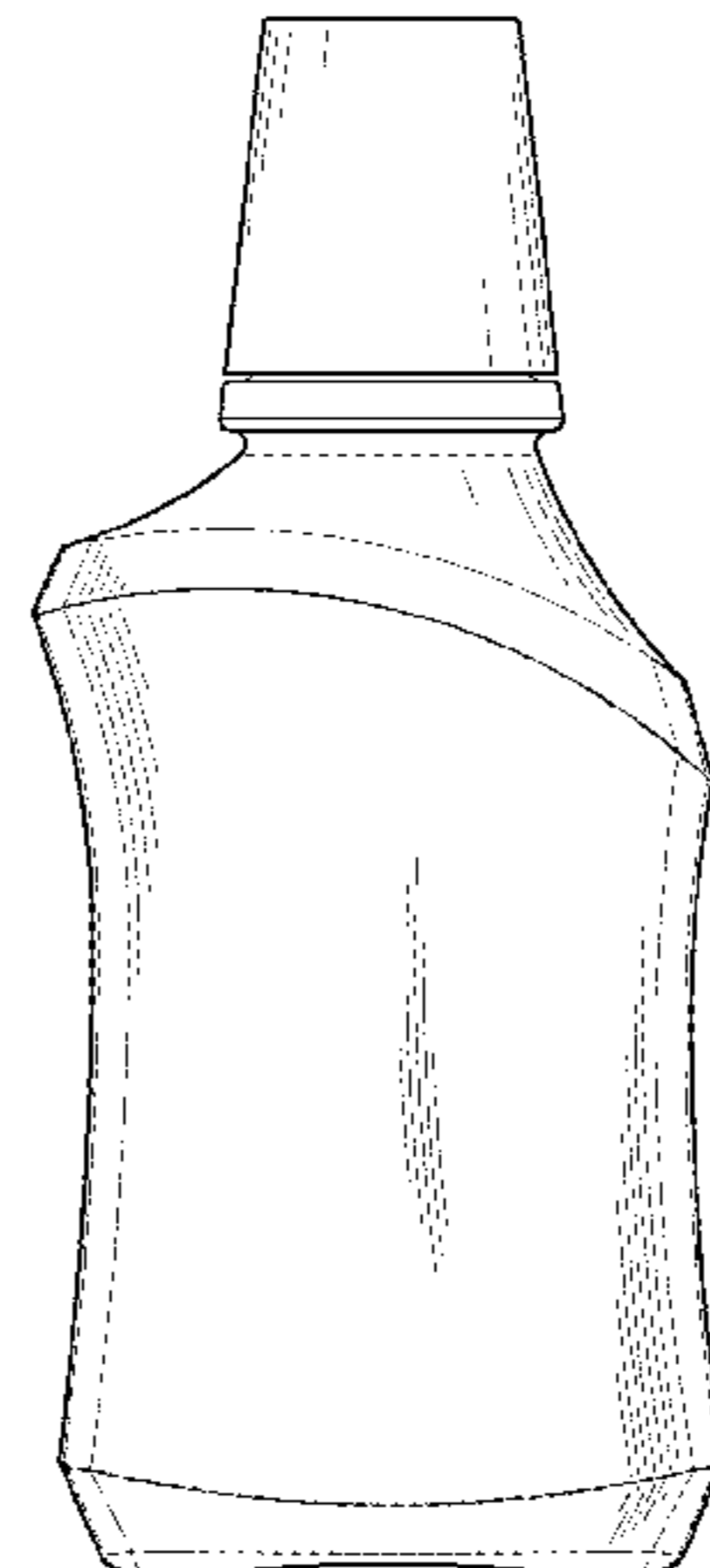
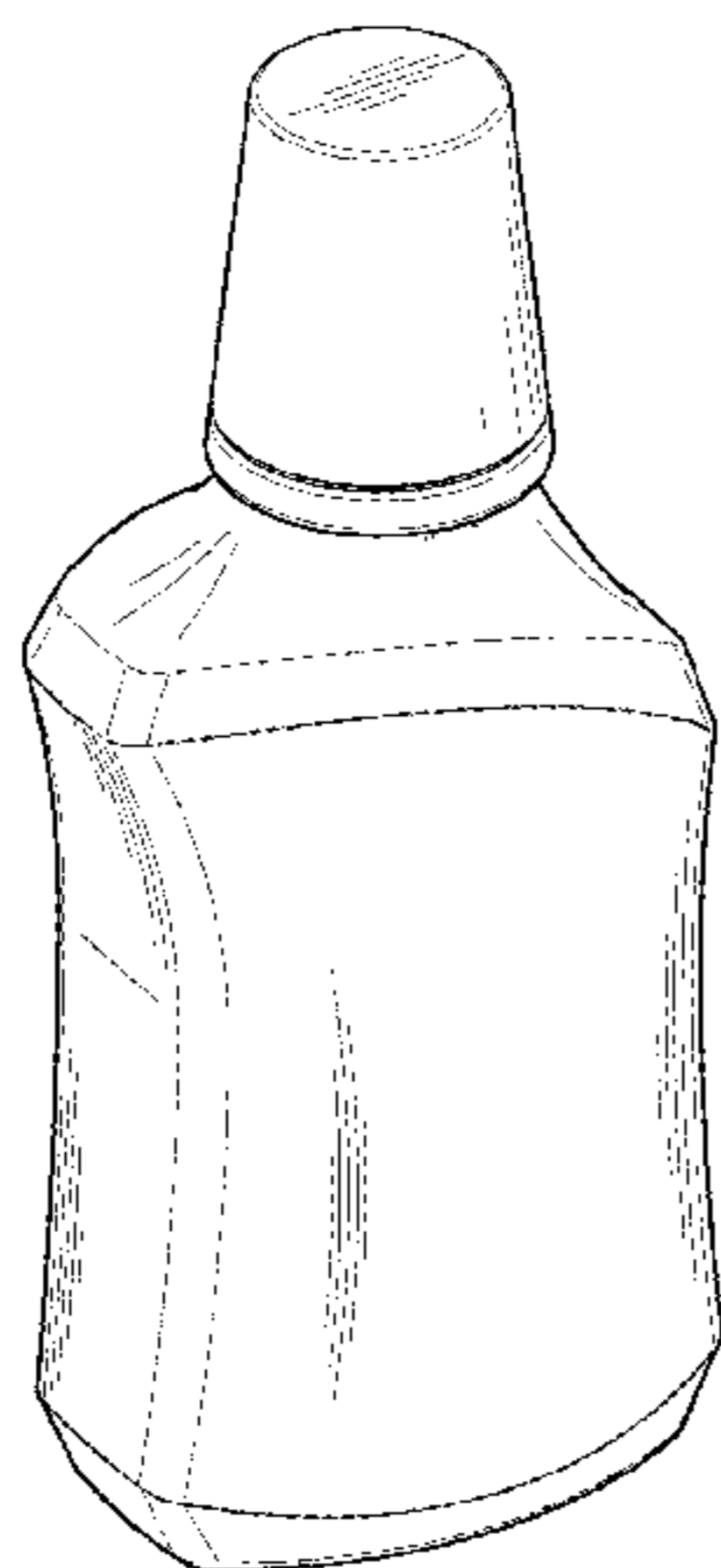
The ornamental design for a bottle, as shown and described.

DESCRIPTION

FIG. 1 is a first perspective view of a bottle showing my new design;
 FIG. 2 is a second perspective view thereof;
 FIG. 3 is a top view thereof;
 FIG. 4 is bottom view thereof;
 FIG. 5 is front view thereof;
 FIG. 6 is a back view thereof;
 FIG. 7 is a right side view thereof; and,
 FIG. 8 is a left side view thereof.

1 Claim, 3 Drawing Sheets

- (56) **References Cited**
U.S. PATENT DOCUMENTS
- D260,610 S * 9/1981 Grip D9/571
- D316,225 S * 4/1991 Edstrom D9/566
- D367,010 S * 2/1996 Moore D9/542
- D538,670 S * 3/2007 Muhlhausen D9/531
- D547,198 S * 7/2007 Eaton D9/522
- D622,146 S * 8/2010 Wheaton D9/516



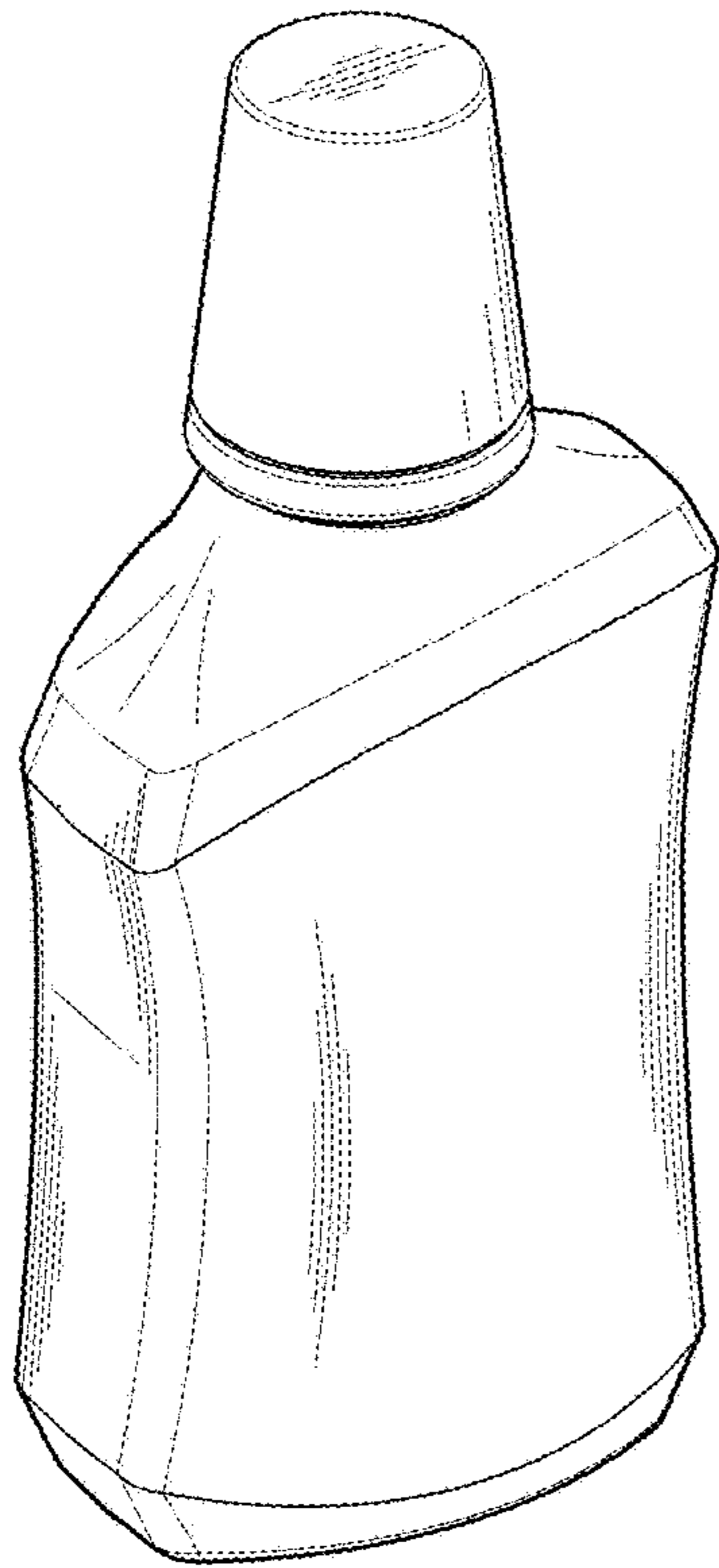


FIG. 1

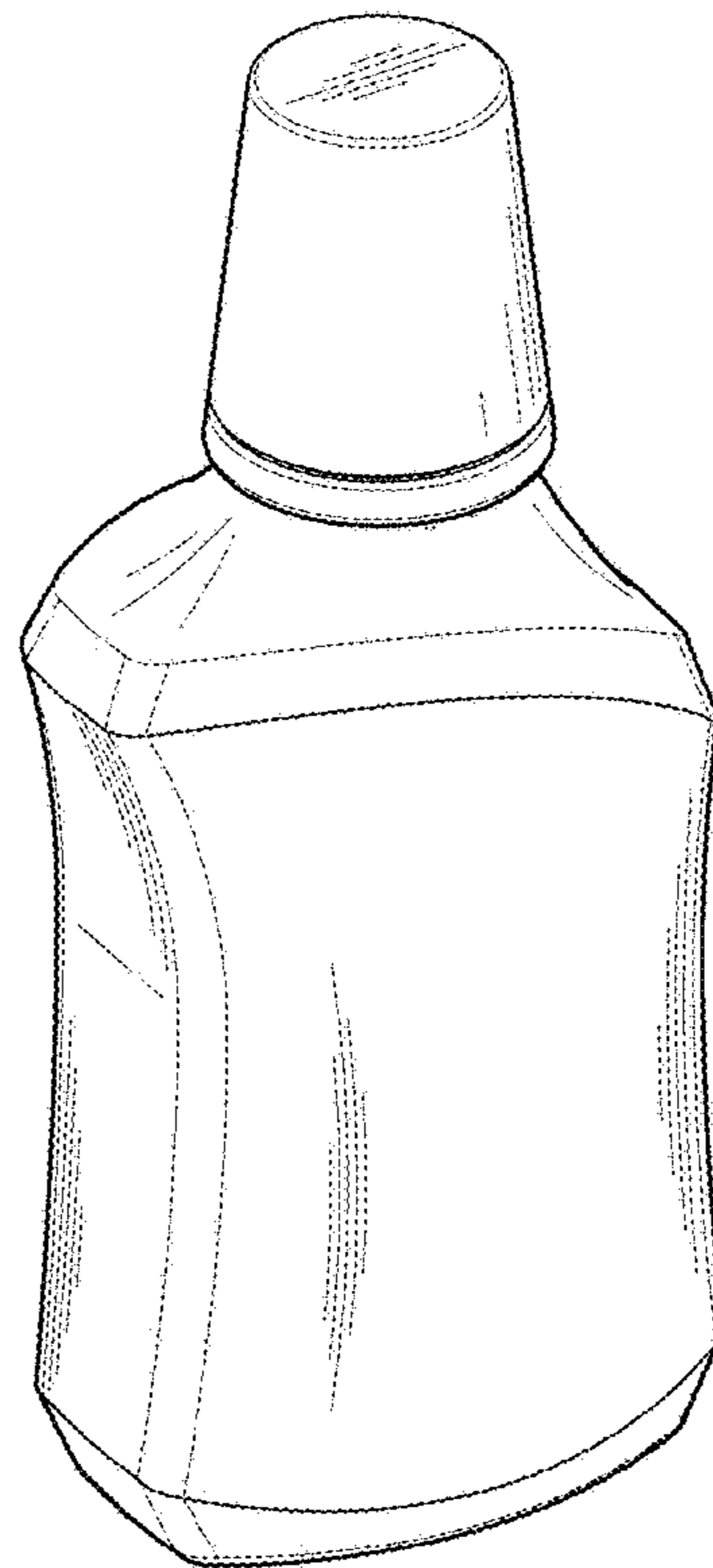


FIG. 2

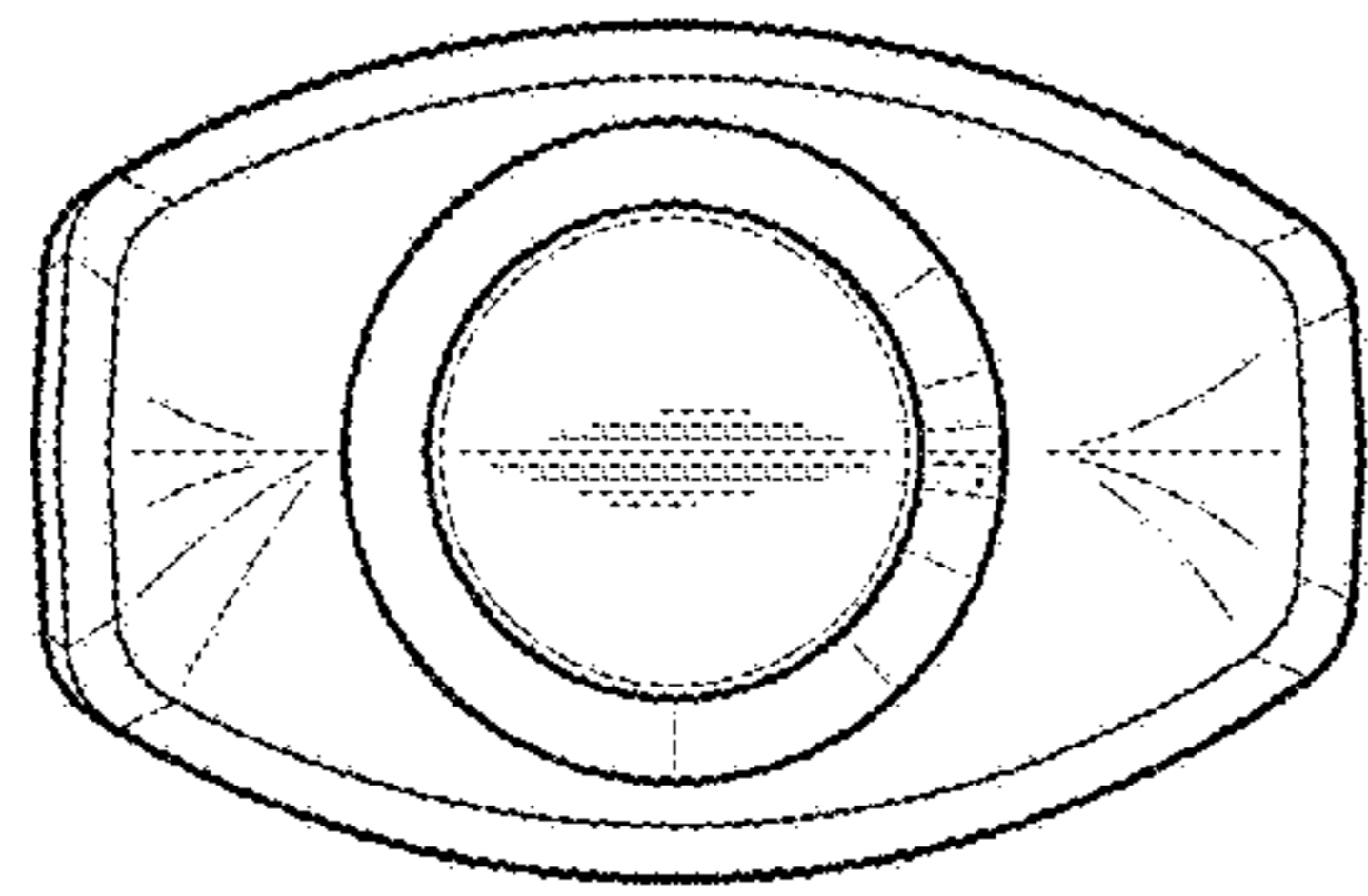


FIG. 3

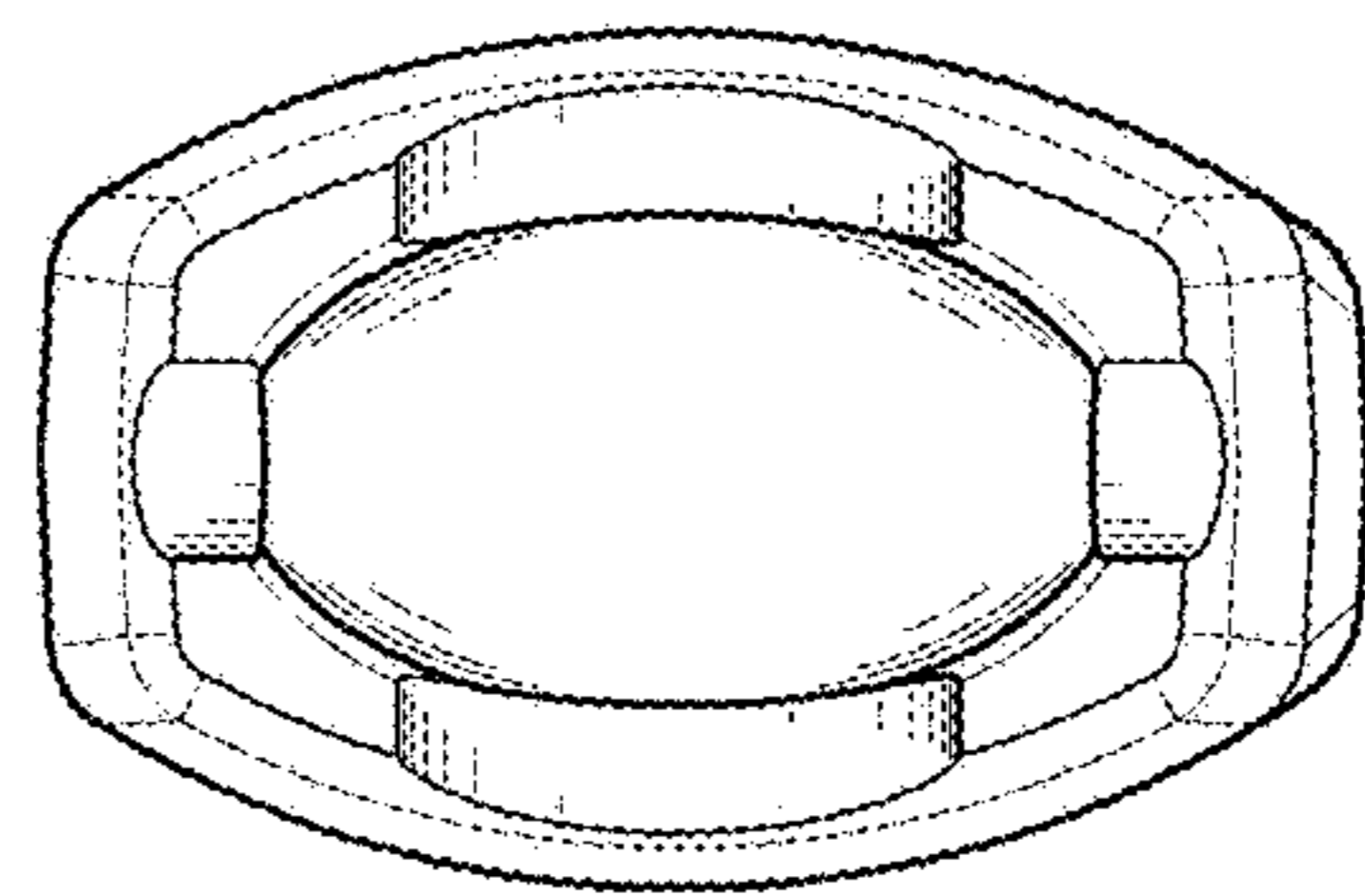


FIG. 4

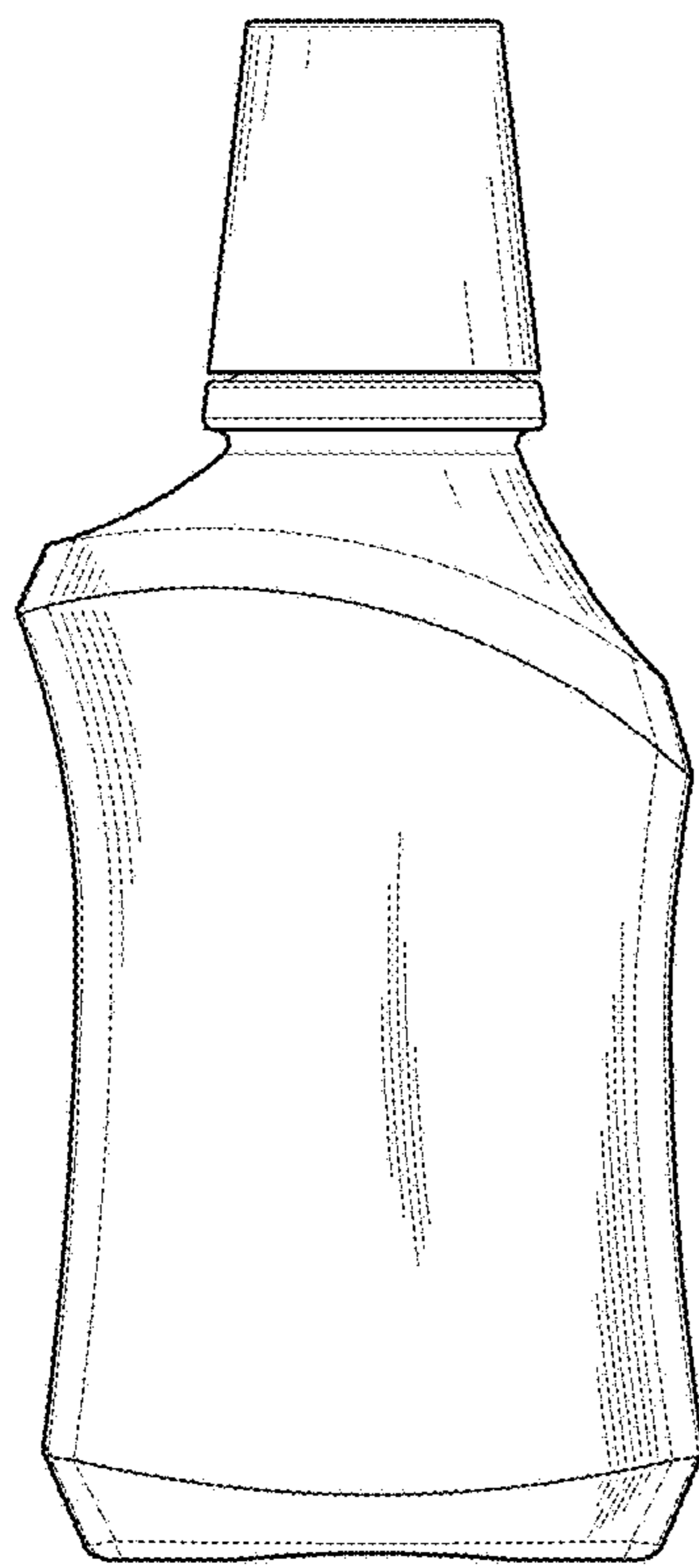


FIG. 5

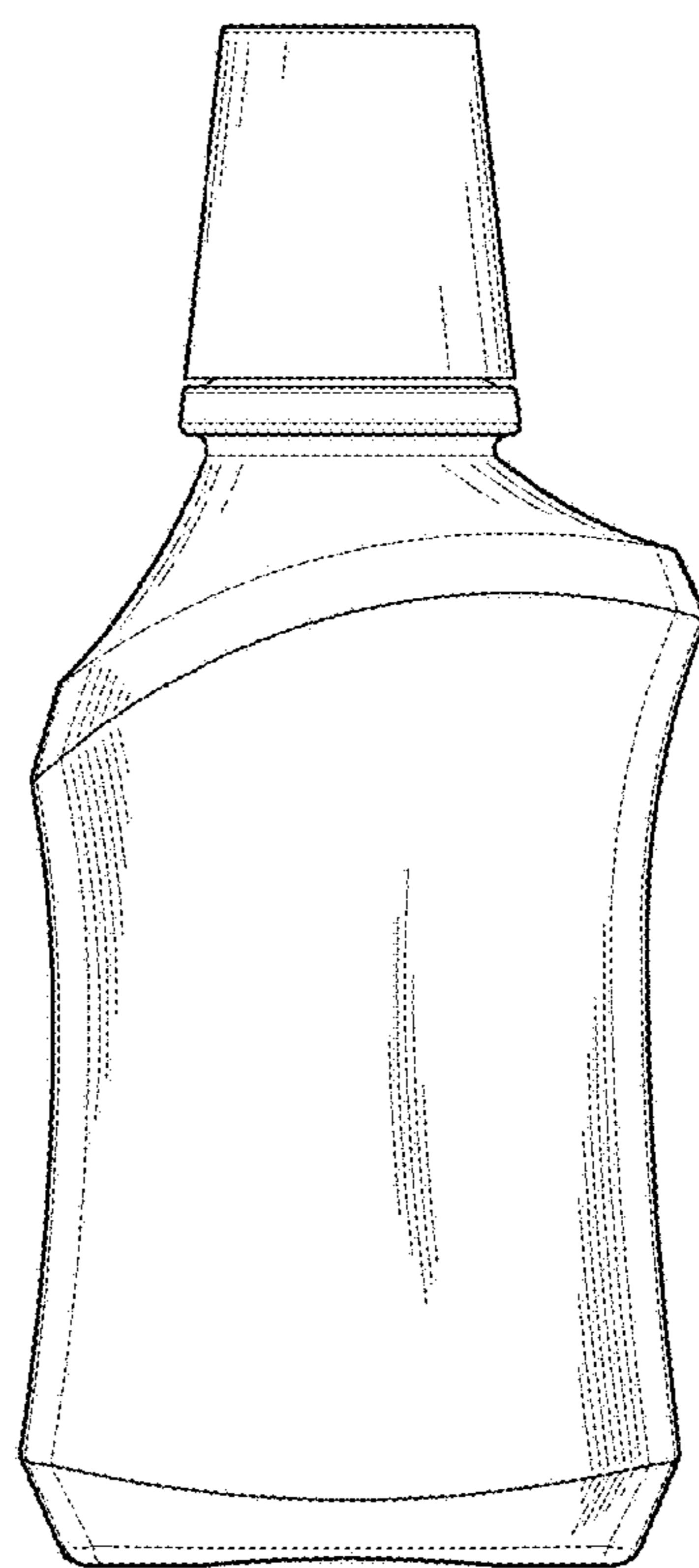


FIG. 6

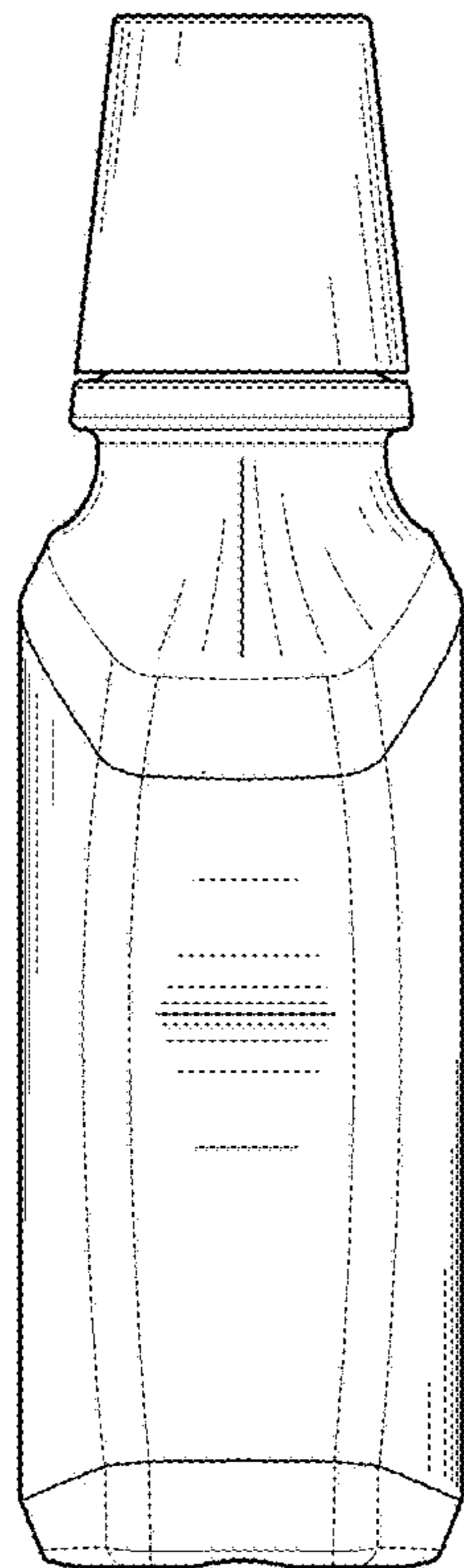


FIG. 7

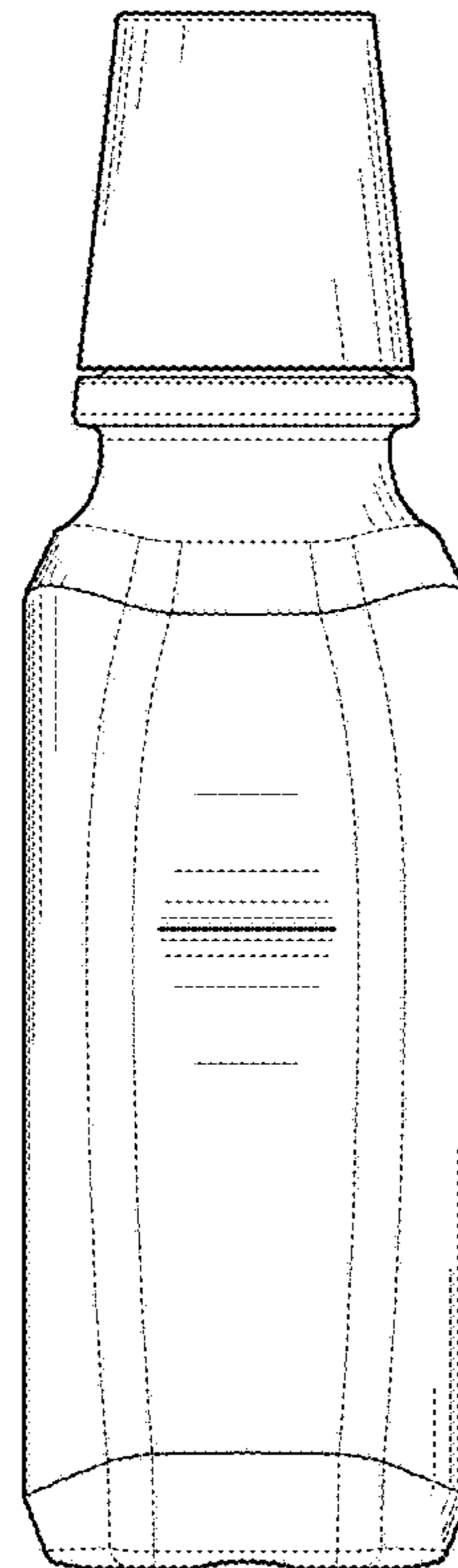


FIG. 8