



US00D839741S

(12) **United States Design Patent** (10) **Patent No.:** **US D839,741 S**  
**Hawry et al.** (45) **Date of Patent:** **\*\* Feb. 5, 2019**

- (54) **DISPENSING BOTTLE PACKAGE**
- (71) Applicant: **Berlin Packaging, LLC**, Chicago, IL (US)
- (72) Inventors: **Liam Hawry**, Chicago, IL (US); **James Tobin**, Marina Del Rey, CA (US); **Brett Niggel**, Chicago, IL (US)
- (73) Assignee: **Berlin Packaging, LLC**, Chicago, IL (US)
- (\*\*) Term: **15 Years**
- (21) Appl. No.: **29/587,700**
- (22) Filed: **Dec. 15, 2016**
- (51) **LOC (11) Cl.** ..... **09-01**
- (52) **U.S. Cl.**  
USPC ..... **D9/504**; D9/447; D9/449; D9/454;  
D9/503; D9/724
- (58) **Field of Classification Search**  
USPC ..... D9/434-435, 444-445, 447, 454, 500,  
D9/503-504, 516, 530, 537, 539, 549,  
D9/558, 715, 719, 723-724; D7/300,  
D7/300.1, 590, 598, 601-602, 608,  
D7/629-630  
CPC ..... B65D 1/00; B65D 1/02; B65D 1/0223;  
B65D 1/10; B65D 1/32; B65D 23/00;  
B65D 25/48; B65D 2501/00; B65D  
2501/0009; B65D 2501/0063; B65D  
2501/0072  
See application file for complete search history.

(56) **References Cited**

**U.S. PATENT DOCUMENTS**

D2,840 S *	11/1867	Rowley	.....	D9/500
D112,947 S *	1/1939	Morgan	.....	D7/608
D116,858 S *	9/1939	Martin	.....	D8/DIG. 2
D224,646 S *	8/1972	Vollquartz	.....	D9/500
D237,586 S *	11/1975	Plummer	.....	D9/503
D241,011 S *	8/1976	Pettengill	.....	D9/500

D256,651 S *	9/1980	Leung	.....	D7/608
D321,628 S *	11/1991	Kobayashi	.....	D7/608
D354,915 S *	1/1995	Schneider	.....	D9/454
D390,462 S *	2/1998	Mao	.....	D9/435
D395,794 S *	7/1998	Moran	.....	D7/608
D398,519 S *	9/1998	Keene	.....	D9/520
D405,371 S *	2/1999	Herr	.....	D9/443
D437,528 S *	2/2001	Kitamura	.....	D7/608
D493,327 S *	7/2004	Marsden	.....	D7/300.1
D528,921 S *	9/2006	Leoncavallo	.....	D7/511
D611,346 S *	3/2010	Camomile	.....	D9/504

(Continued)

*Primary Examiner* — Dana Meyrow

(74) *Attorney, Agent, or Firm* — Adam K. Sacharoff;  
Much Shelist, PC

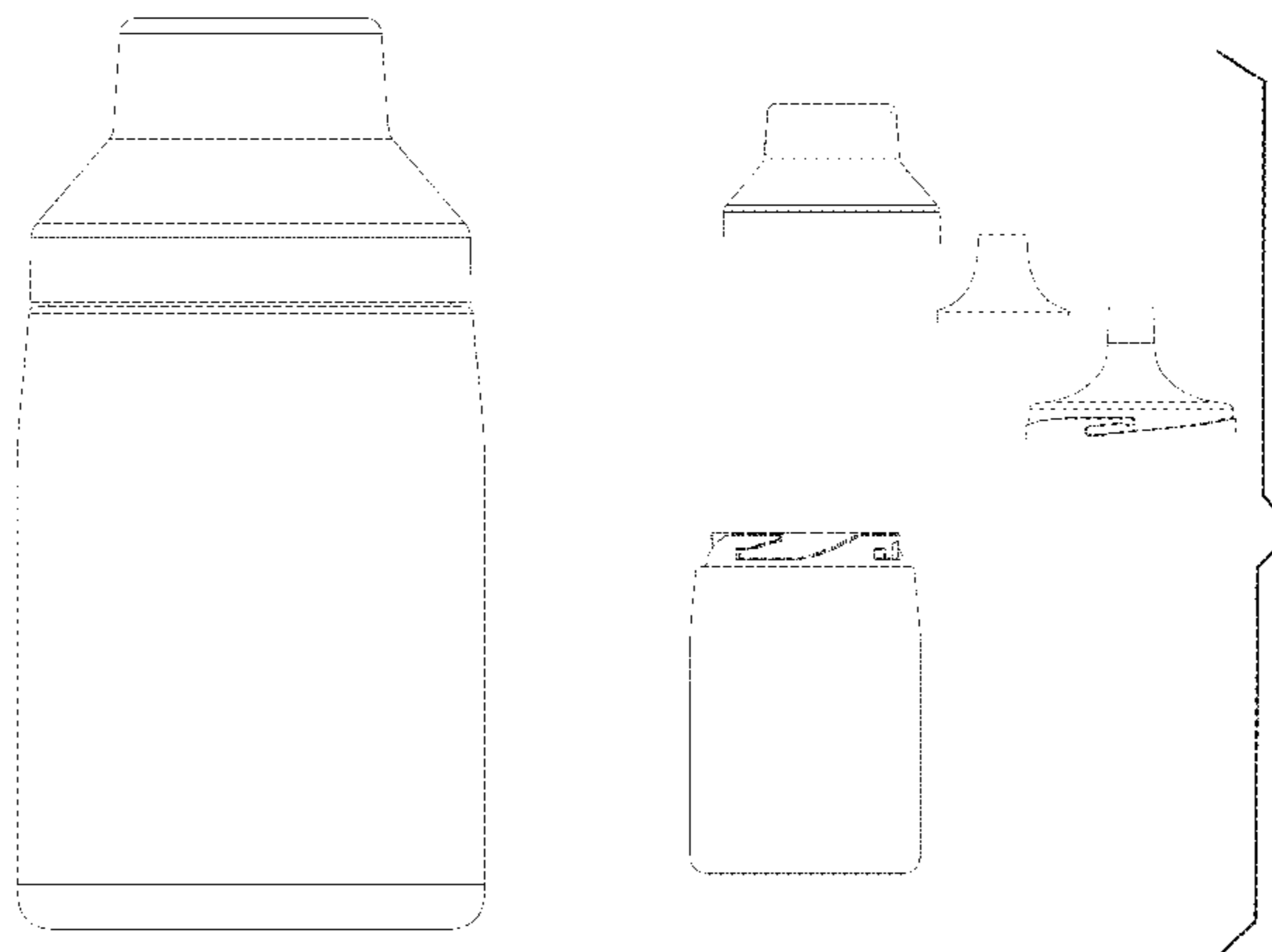
(57) **CLAIM**

The ornamental design for a dispensing bottle package, as shown and described.

**DESCRIPTION**

FIG. 1 is a front right side perspective view showing the new design for a dispensing bottle package;  
 FIG. 2 is a bottom left side perspective view thereof;  
 FIG. 3 is a front view thereof, the rear, left side, and right side views all being identical images thereto;  
 FIG. 4 is a top plan view thereof;  
 FIG. 5 is a bottom plan view thereof;  
 FIG. 6 is an front right side expanded view of the dispensing bottle package;  
 FIG. 7 is a bottom left side expanded view thereof;  
 FIG. 8 is a front expanded view thereof;  
 FIG. 9 is a rear expanded view thereof;  
 FIG. 10 is a left expanded view thereof;  
 FIG. 11 is a right expanded view thereof;  
 FIG. 12 is a top plan expanded view thereof; and,  
 FIG. 13 is a bottom plan expanded view thereof.  
 The broken lines in FIGS. 6-13 are included to show unclaimed subject matter only and form no part of the claimed design.

**1 Claim, 13 Drawing Sheets**



(56)

**References Cited**

U.S. PATENT DOCUMENTS

D690,558 S *	10/2013	Lane .....	D7/510
D695,617 S *	12/2013	Becker .....	D9/504
D702,506 S *	4/2014	Mettler .....	D7/608
D778,725 S *	2/2017	Sorensen .....	D9/434
D808,734 S *	1/2018	Beckman .....	D7/608
10,059,492 B2 *	8/2018	Hawry .....	B65D 47/127
2018/0170631 A1 *	6/2018	Hawry .....	B65D 47/127

\* cited by examiner

FIG. 1

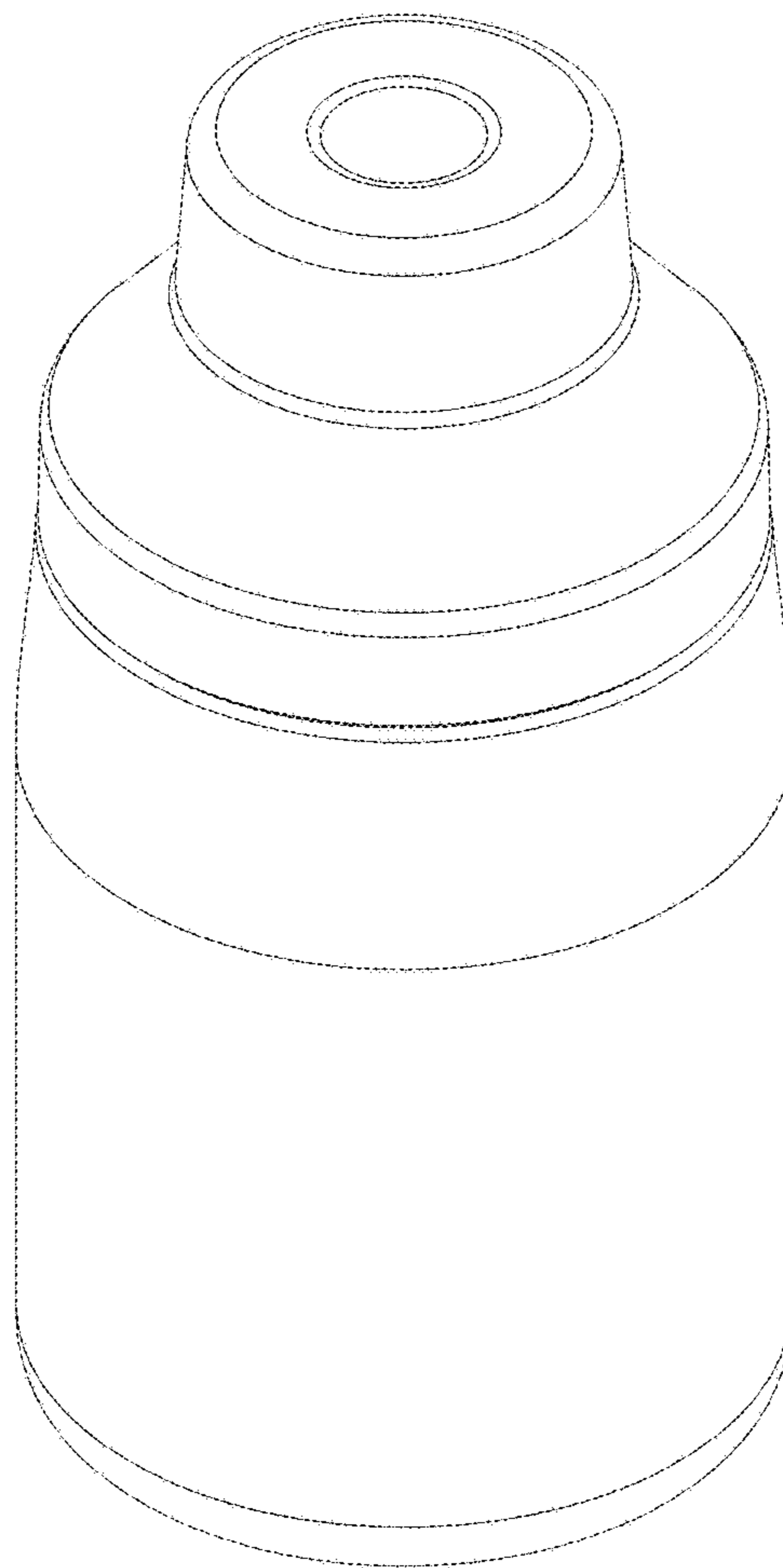


FIG. 2

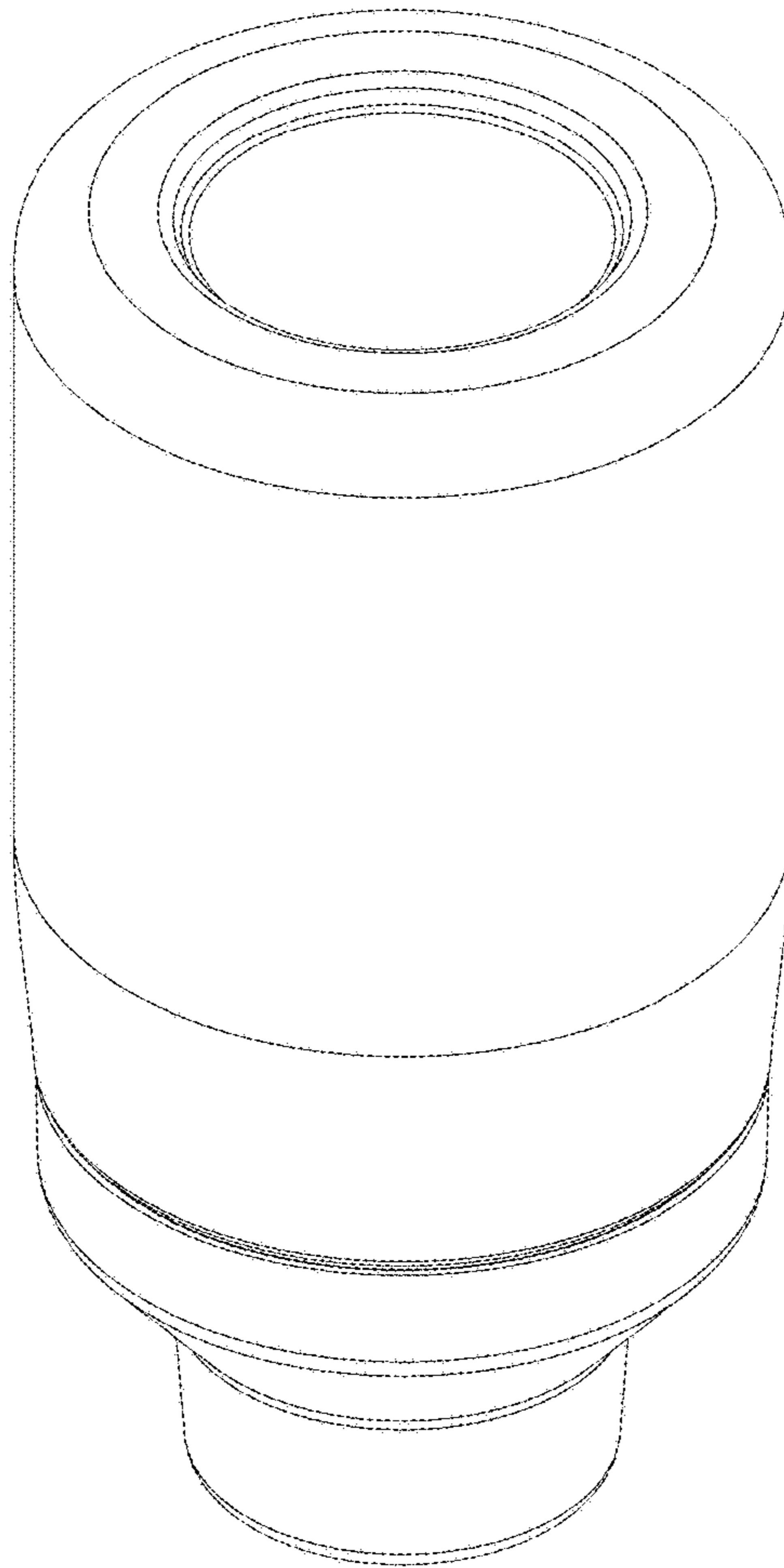


FIG. 3

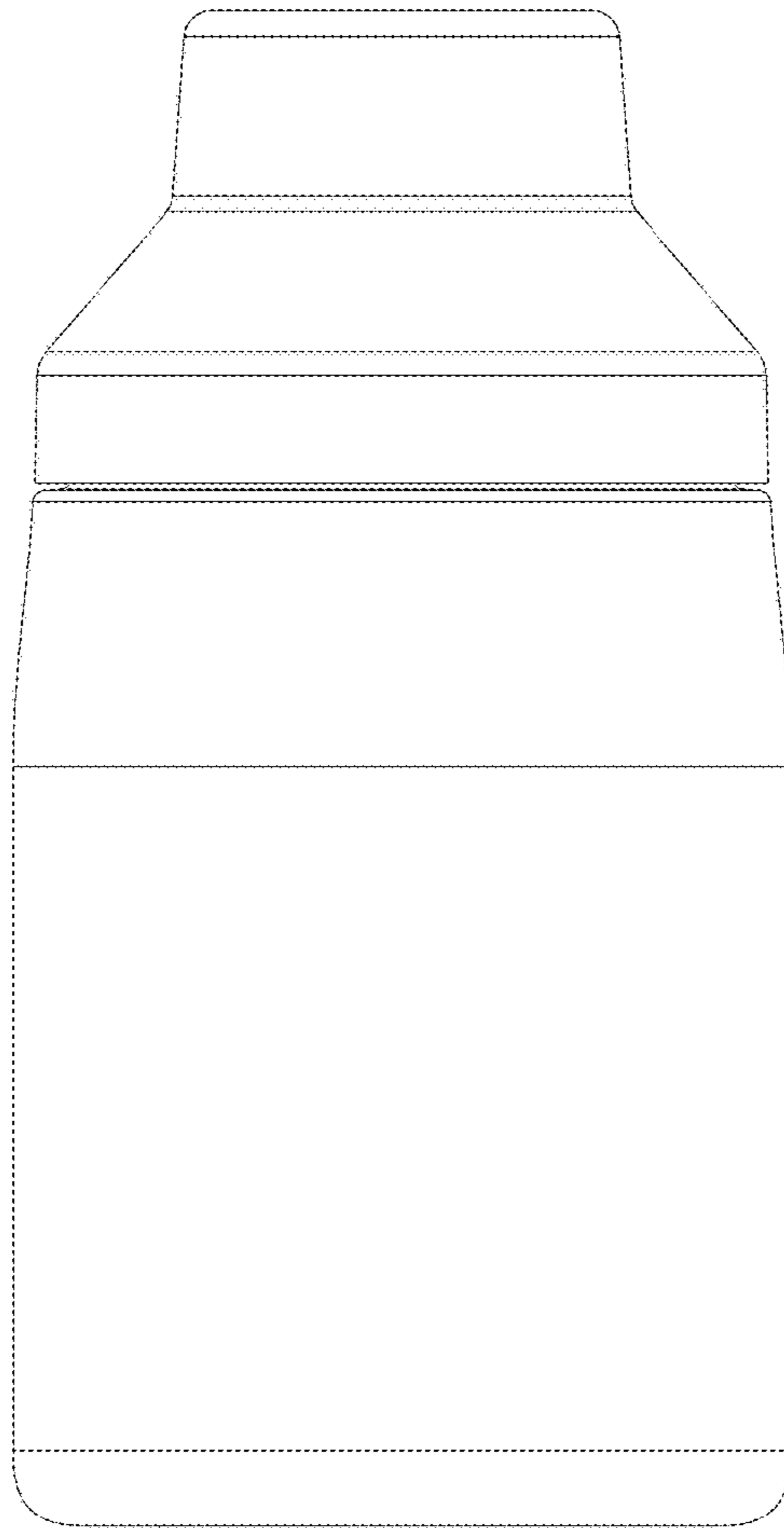


FIG. 4

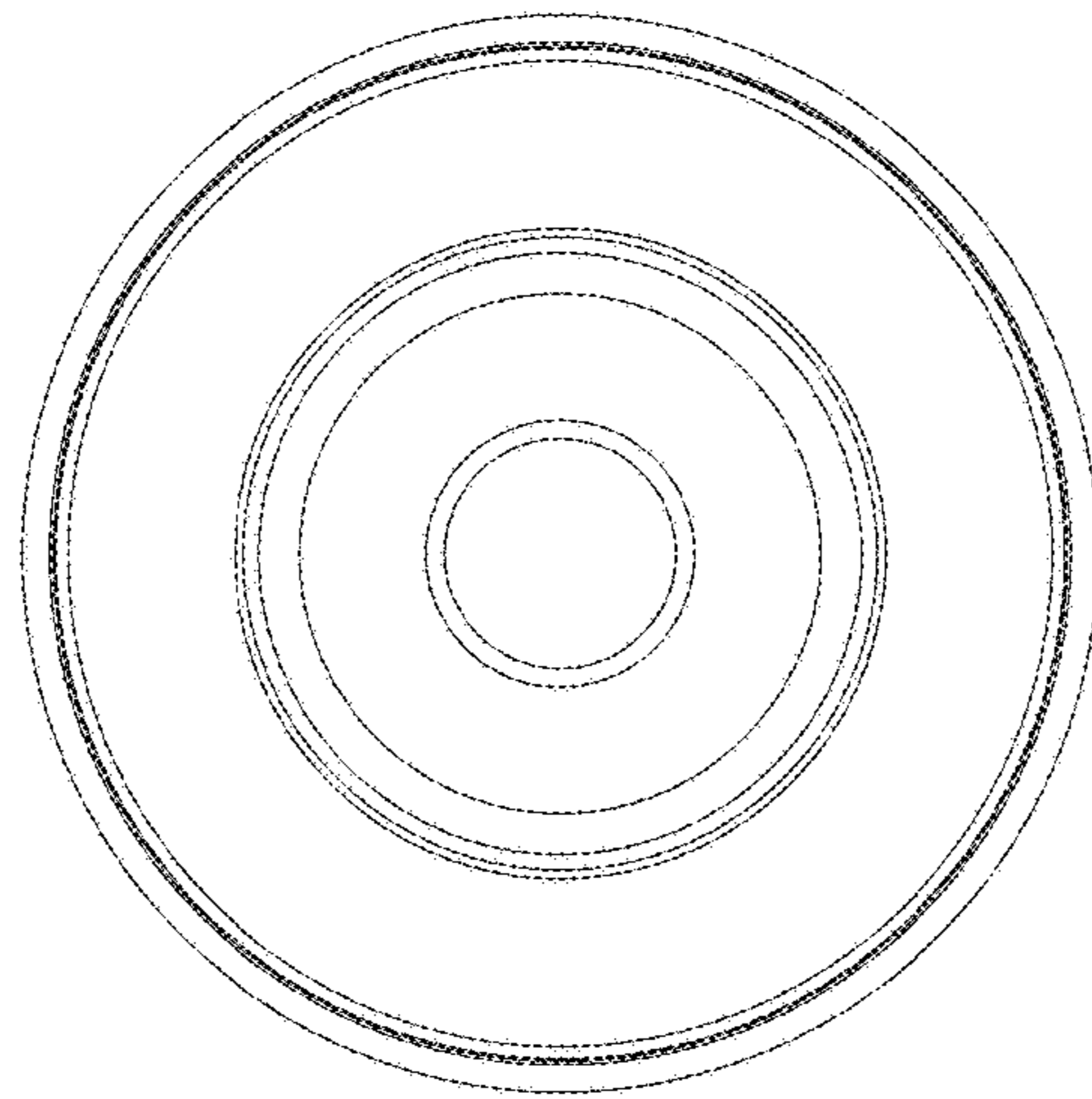


FIG. 5

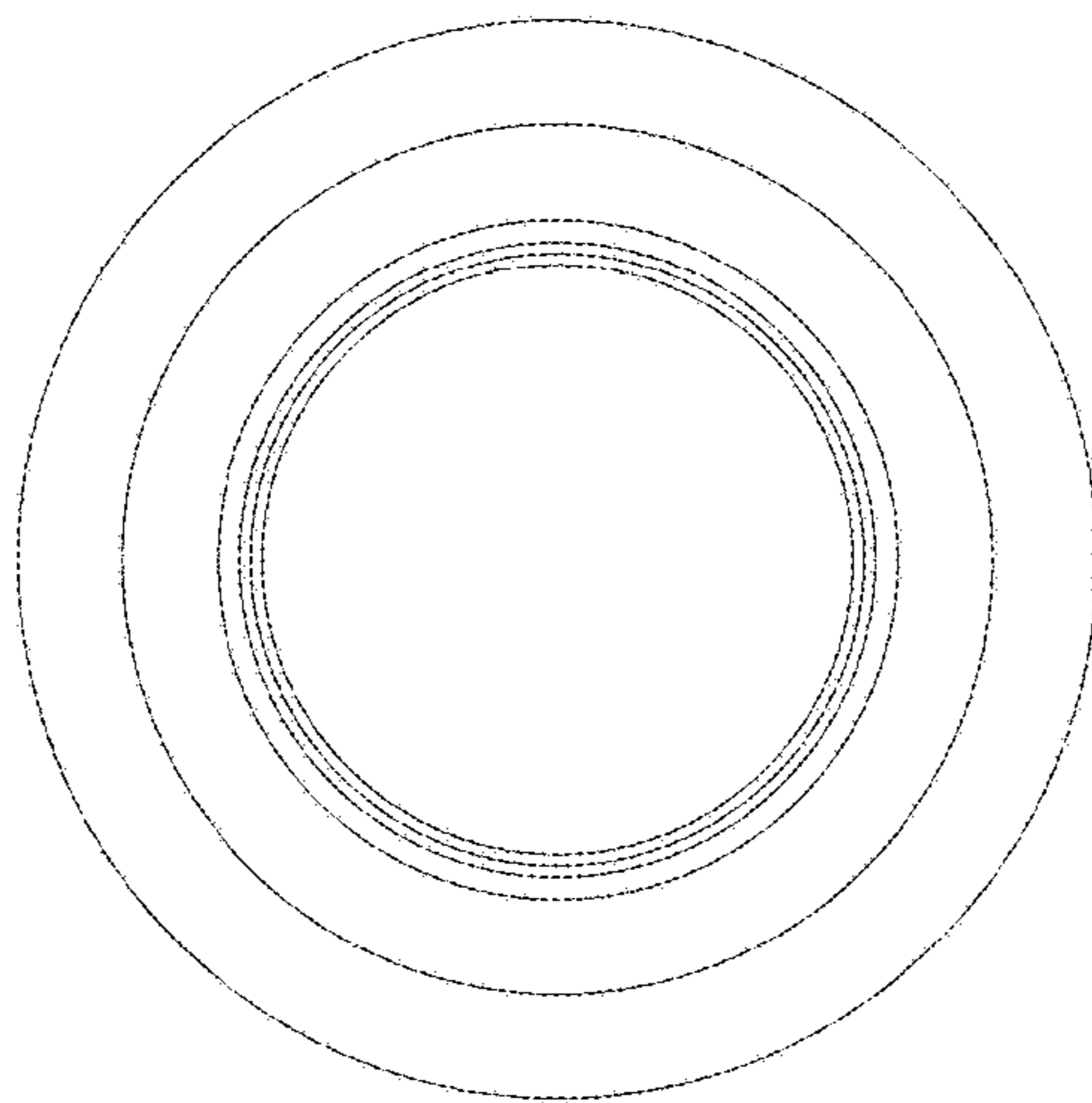


FIG. 6

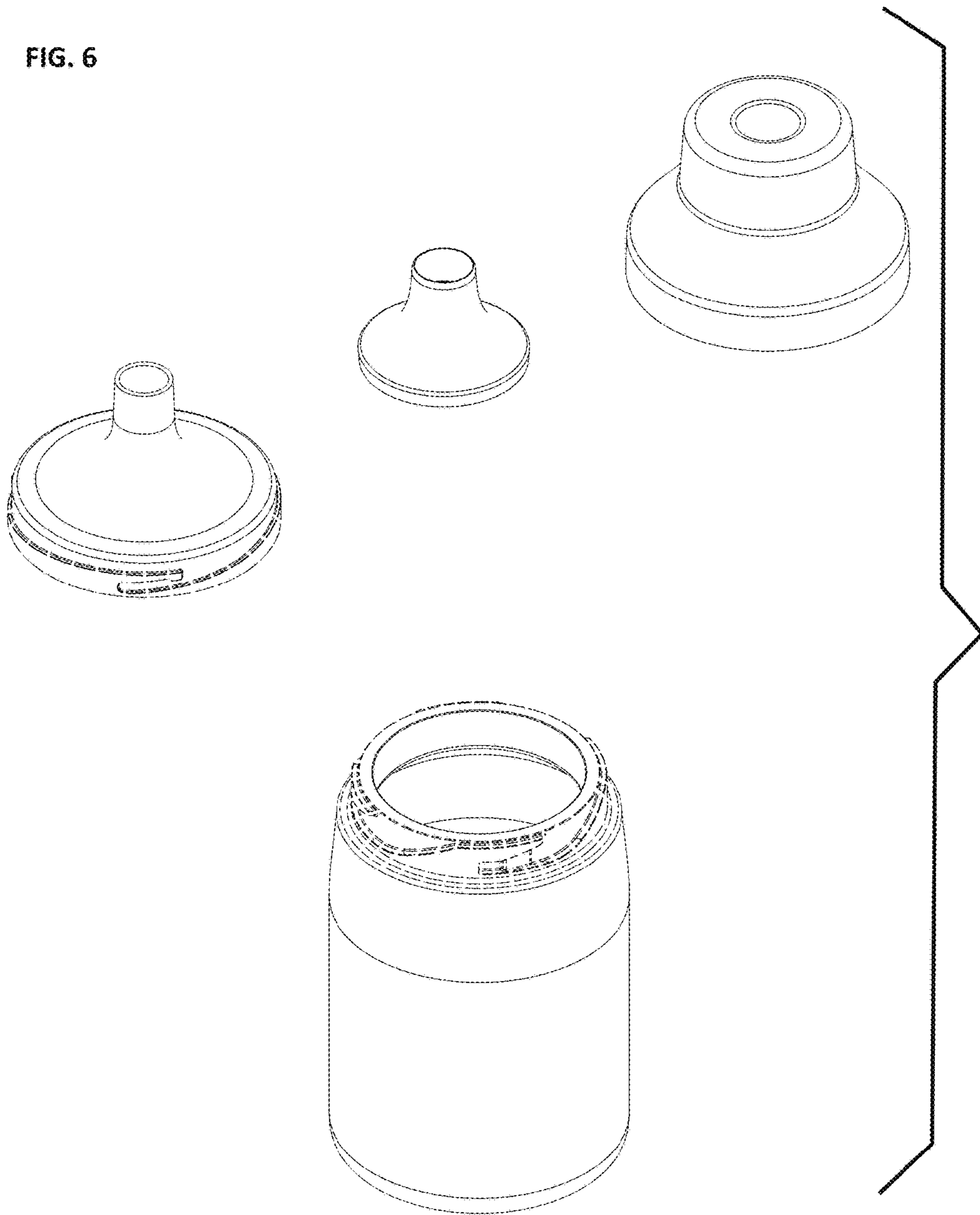




FIG. 7

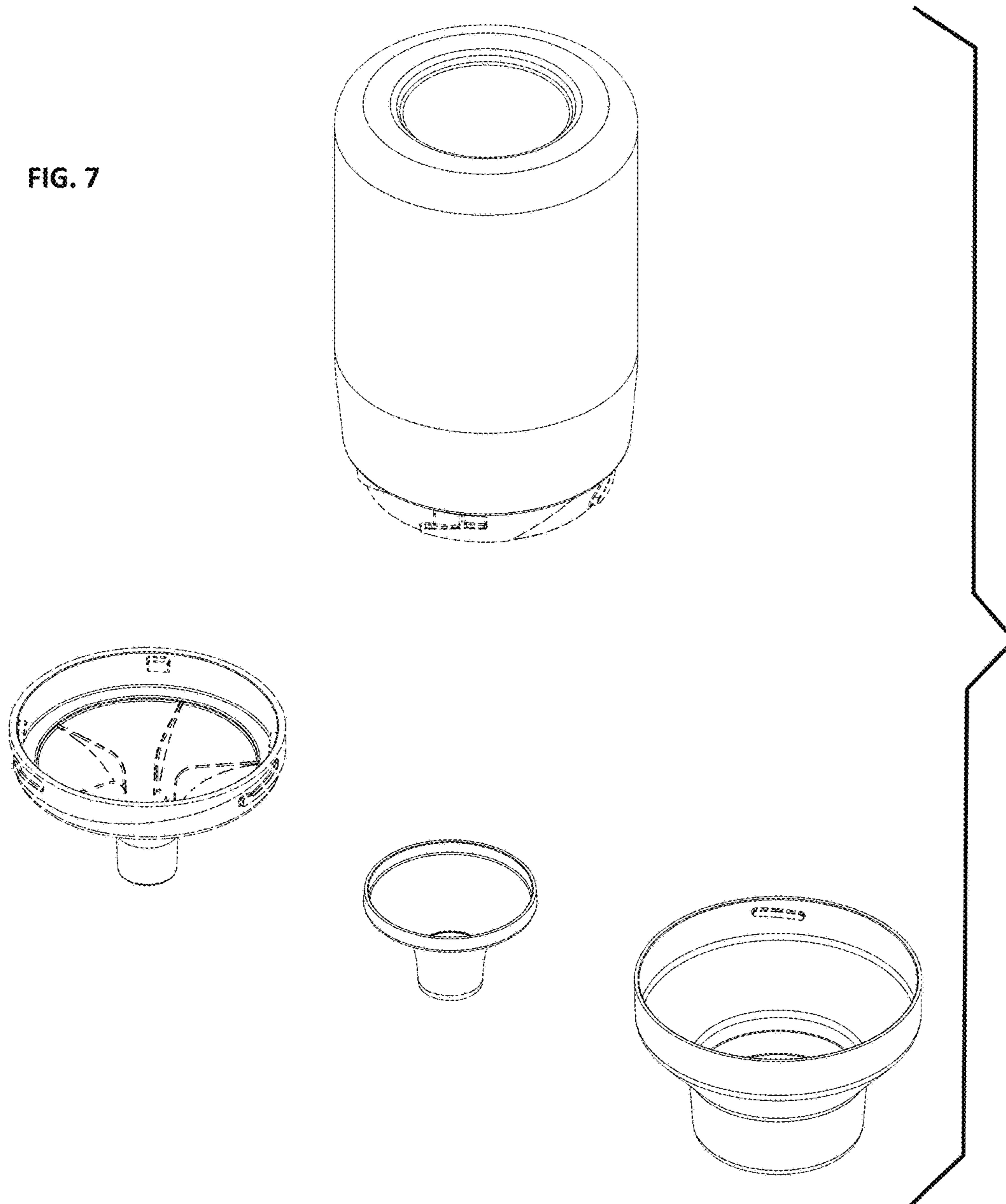


FIG. 8

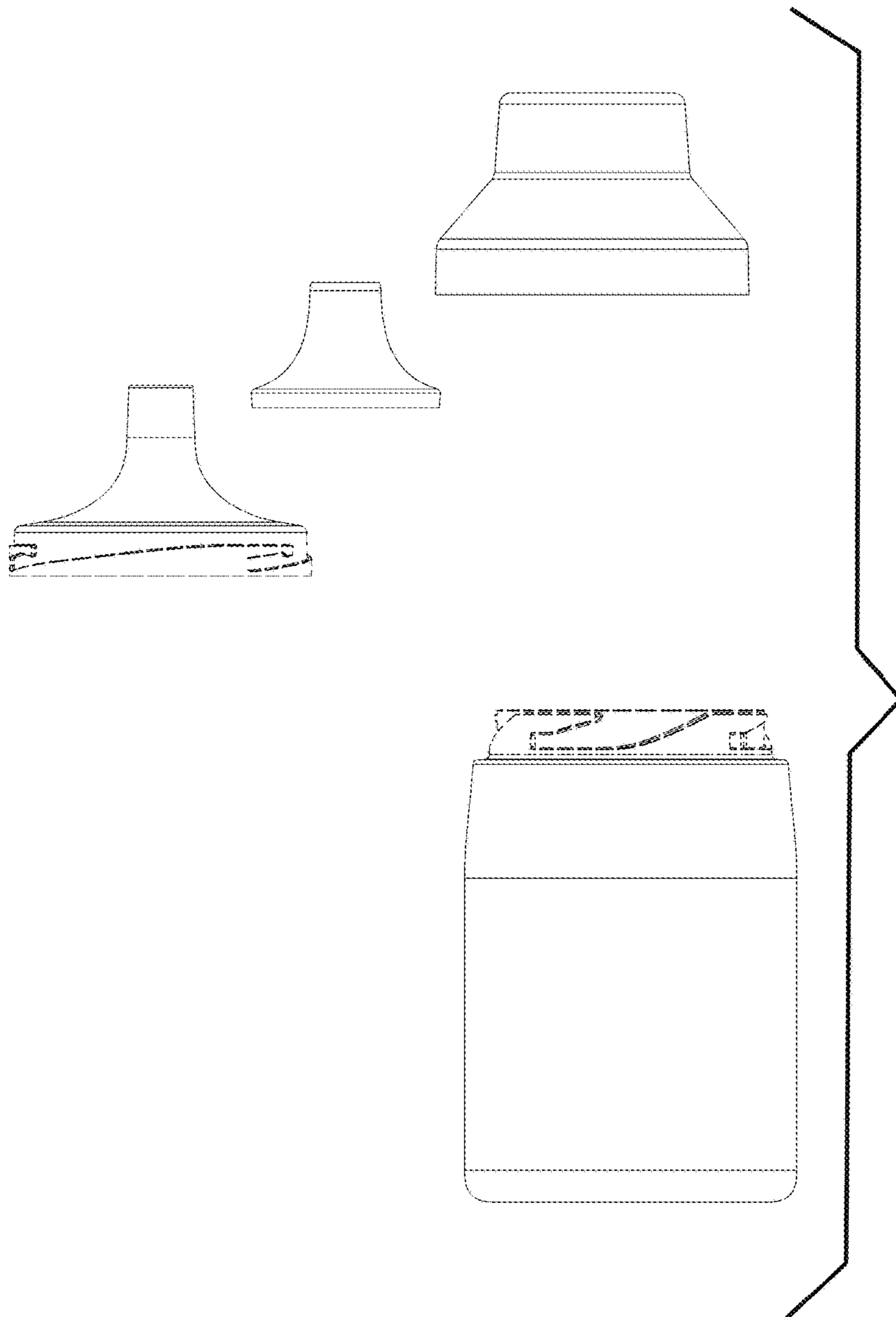


FIG. 9

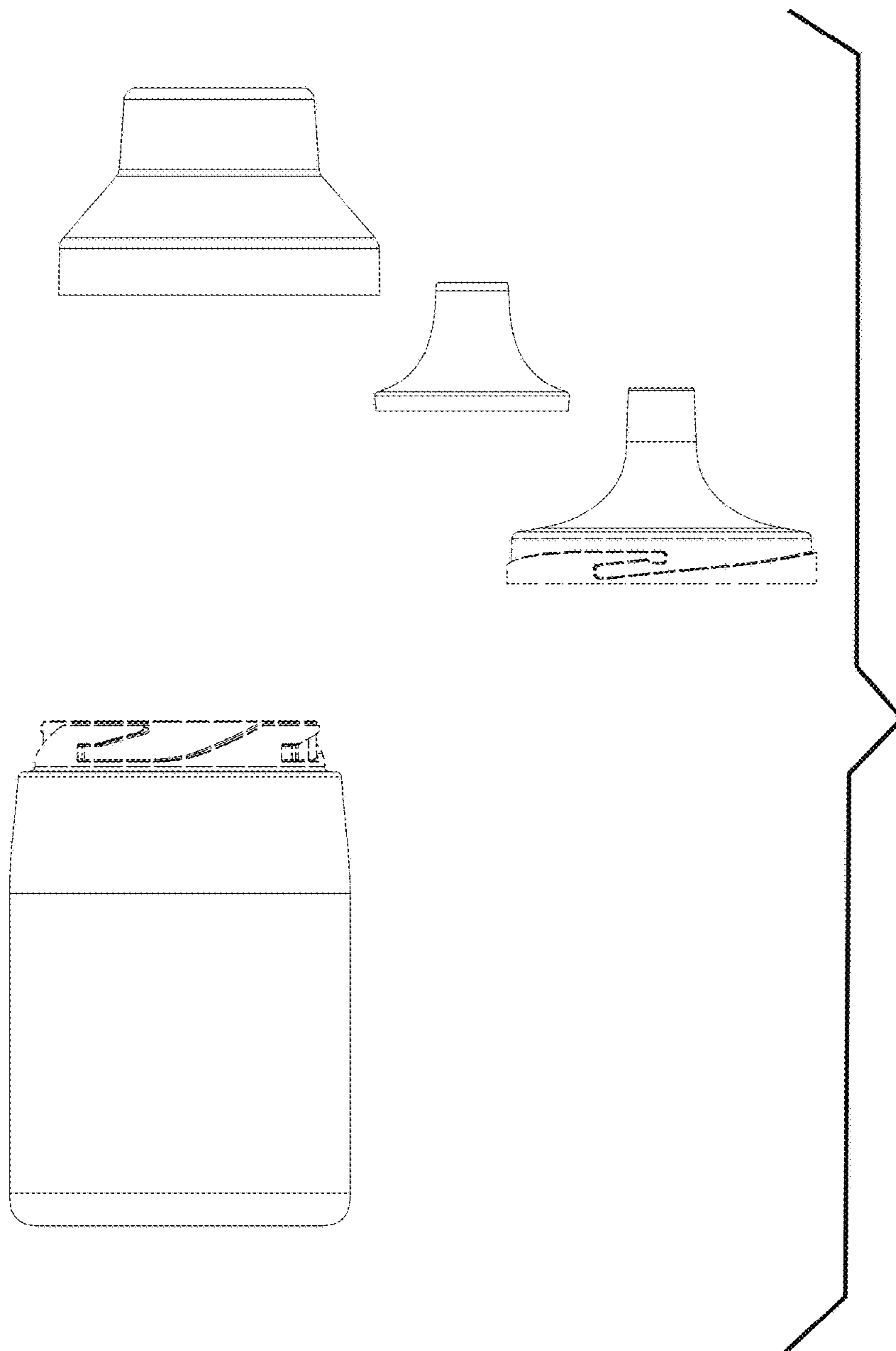


FIG. 10

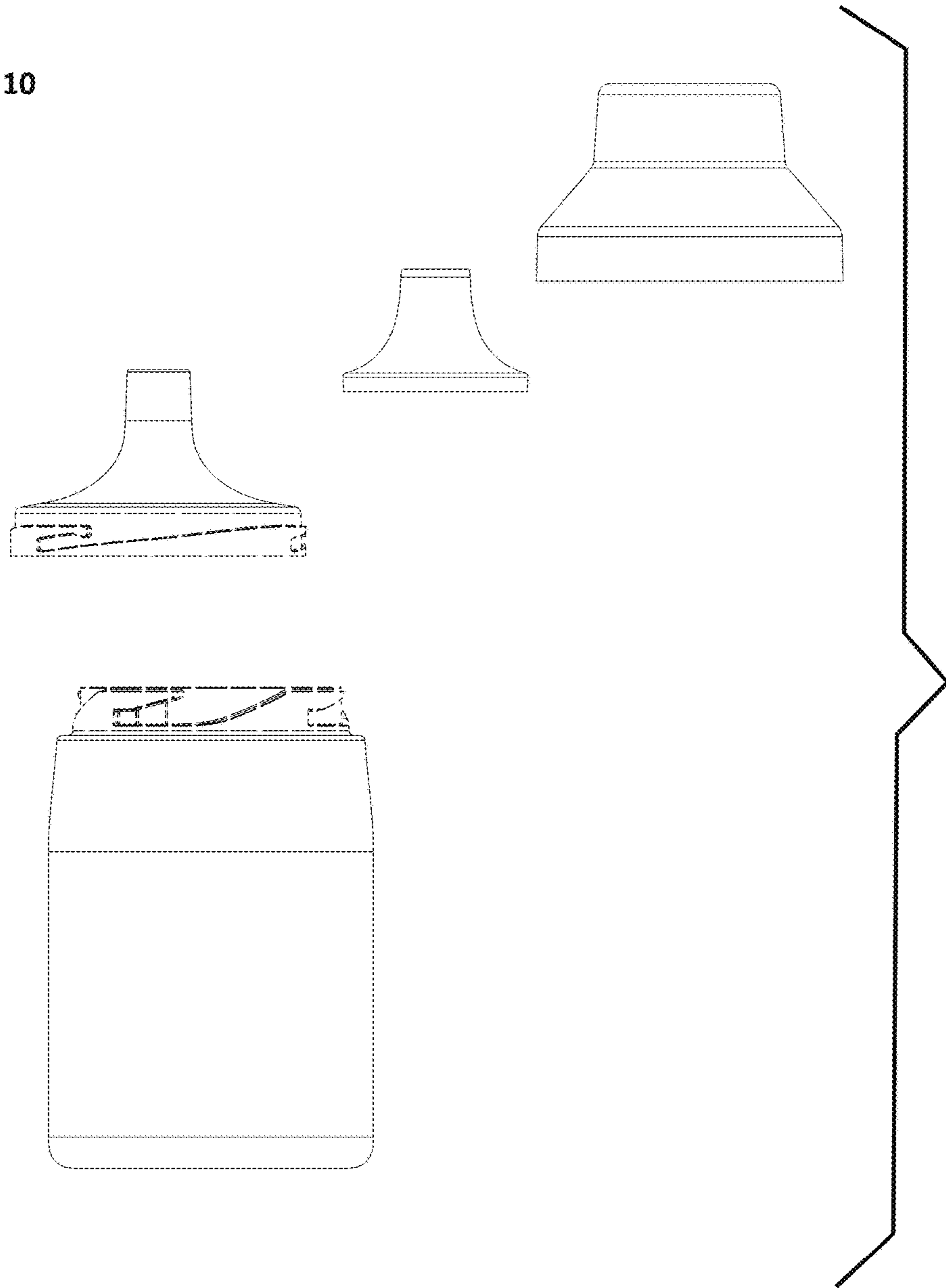


FIG. 11

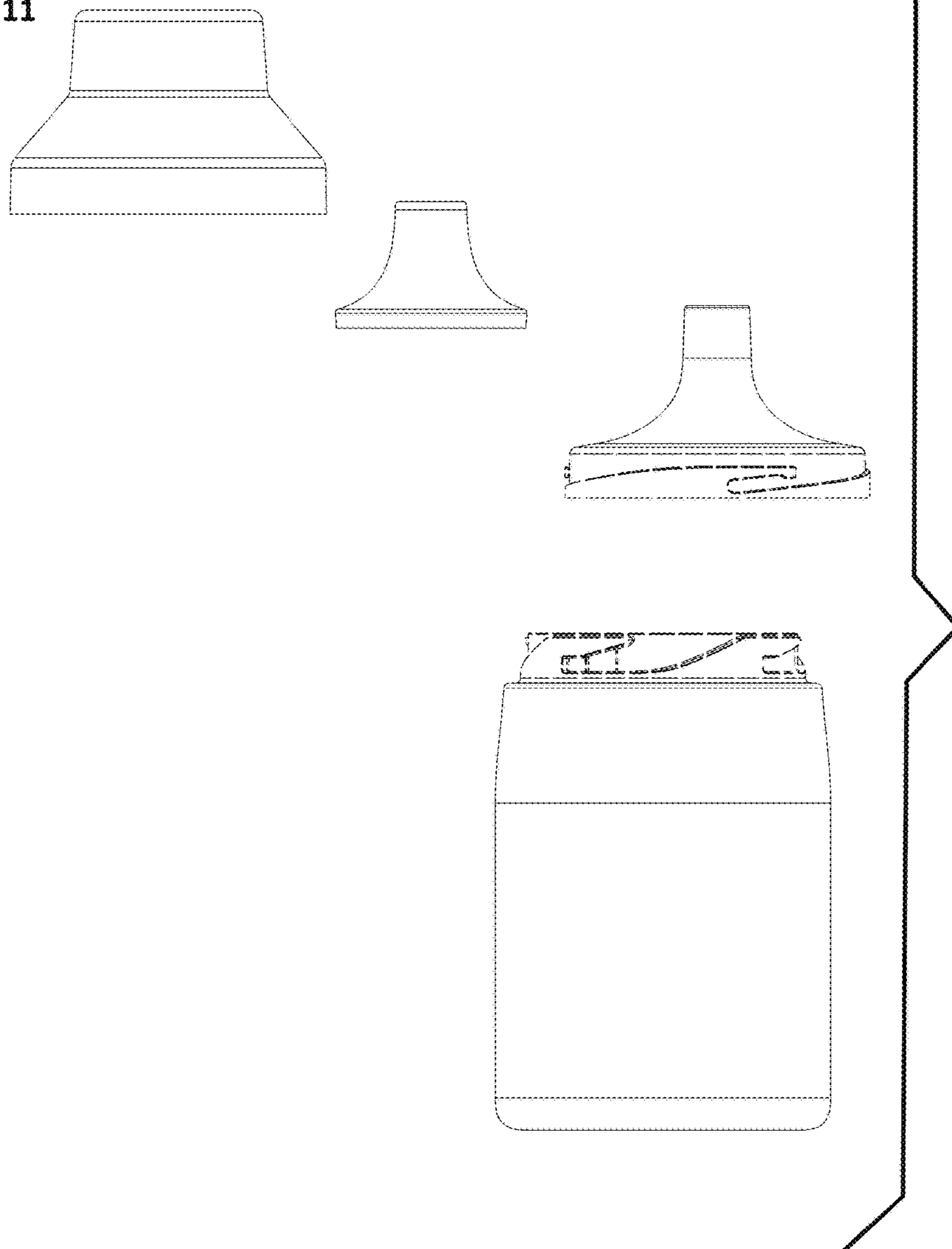


FIG. 12

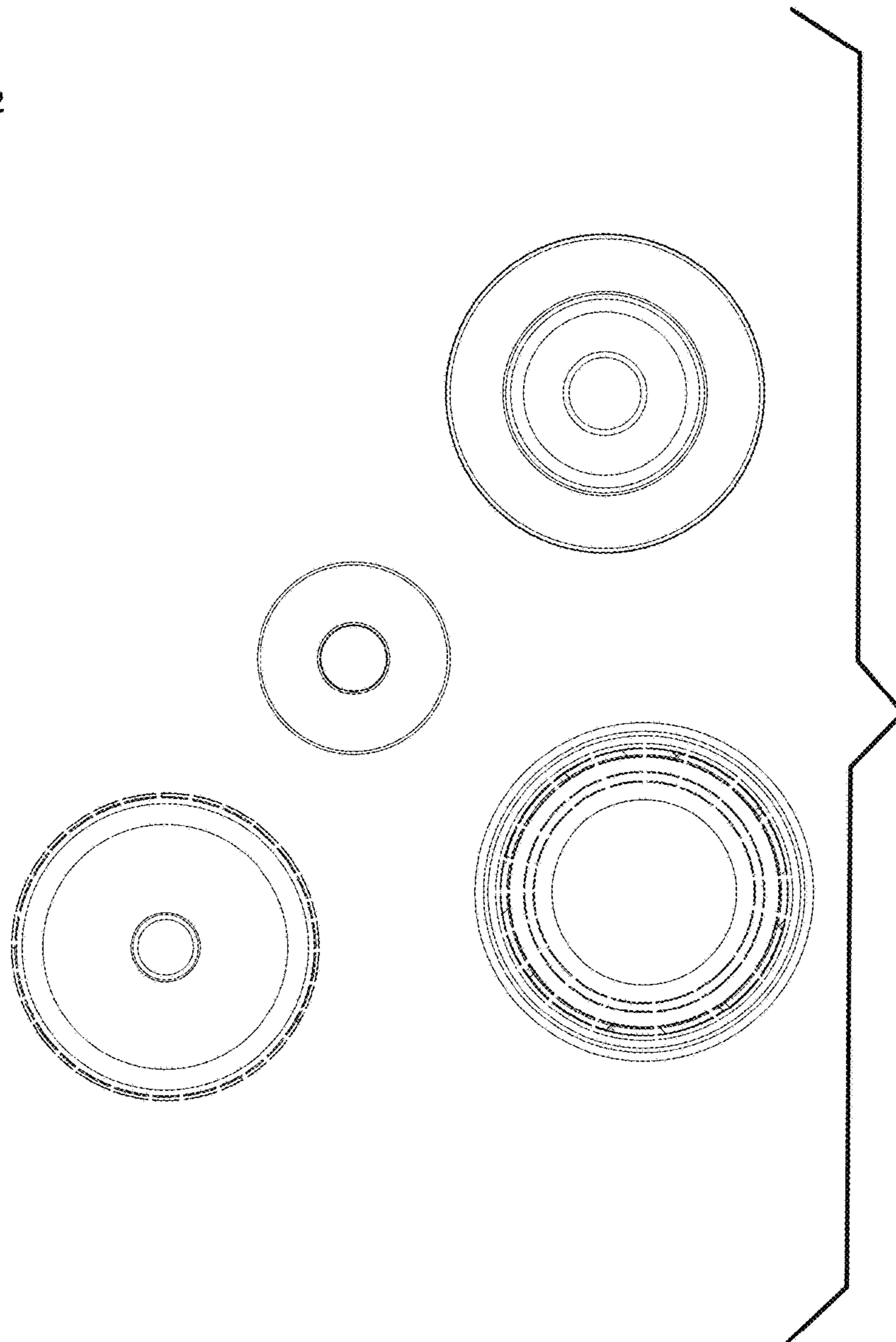


FIG. 13

