



US00D839736S

(12) **United States Design Patent** (10) **Patent No.:** **US D839,736 S**  
**Pinard** (45) **Date of Patent:** **\*\* Feb. 5, 2019**

(54) **CAP FOR A BOTTLE**

(71) Applicant: **Jean-Pierre Pinard**, Oyonnax (FR)

(72) Inventor: **Jean-Pierre Pinard**, Oyonnax (FR)

(\*\*) Term: **15 Years**

(21) Appl. No.: **29/625,673**

(22) Filed: **Nov. 10, 2017**

(51) **LOC (11) Cl.** ..... **09-07**

(52) **U.S. Cl.**  
USPC ..... **D9/453**

(58) **Field of Classification Search**  
USPC ..... D3/10, 17, 29, 200, 202, 203.1, 207;  
D7/387, 391, 392, 392.1, 393, 396.1,  
D7/396.2, 398, 900; D8/300, 303, 321;  
D9/434, 435, 439, 445, 446, 447, 448,  
D9/449, 452, 453, 454, 442, 695-699,  
D9/702-715, 723-729, 425, 428,  
D9/500-505, 516, 529, 530, 537, 538,  
D9/541, 546, 549, 566, 569, 570, 692,  
D9/694, 745, 746, 774; D12/197, 200,  
D12/220; D19/96, 162, 163, 187, 194;  
D23/259, 260, 261; D24/111, 112, 127,  
D24/129, 130, 194, 196, 197, 199, 224;  
D28/76, 84; D30/121, 132, 133  
CPC .... A45D 34/00; A45D 34/03; A45D 2200/05;  
A45D 2200/051; A45D 34/02; A45D  
40/40; A45D 40/0068; A45D 40/0073;  
A45D 2034/007; A45D 40/00; B65D  
75/5883; B65D 41/3414; B65D 41/00;  
B65D 41/3447; B65D 2101/0023; B65D  
2101/0046; B65D 2213/00; B65D  
81/3272; B65D 85/12; B65D 23/065;  
B65D 47/066; A45F 3/16; A47G 19/2266;  
A47G 19/2272

See application file for complete search history.

(56) **References Cited**

U.S. PATENT DOCUMENTS

D27,615 S *	8/1897	Wagandt .....	D9/529
D86,876 S *	5/1932	Conner .....	D8/DIG. 2
D145,009 S *	6/1946	Derham .....	D9/453
D294,169 S *	2/1988	Kostanecki .....	D23/260
D318,621 S *	7/1991	Venne .....	D9/425
D378,016 S *	2/1997	Armbruster .....	D3/205
D386,410 S	11/1997	Mahlmann	
D396,639 S *	8/1998	Pedersen-Rask .....	D9/454
D413,799 S *	9/1999	Schlatter .....	D28/76
D438,297 S *	2/2001	Audebourg .....	D23/366
D562,699 S *	2/2008	Green .....	D9/504
D633,392 S *	3/2011	Northrop .....	D9/499
D658,993 S *	5/2012	Gill .....	D9/500
D676,748 S	2/2013	Guillois	
D679,182 S	4/2013	Papiernik	
D682,694 S	5/2013	van den Hoonard	
D708,939 S *	7/2014	Zaikov .....	D9/504
D768,506 S *	10/2016	Hua .....	D9/724

(Continued)

*Primary Examiner* — Jennifer Rivard  
*Assistant Examiner* — Catherine S Posthauer  
(74) *Attorney, Agent, or Firm* — Andrew W. Chu; Craft  
Chu PLLC

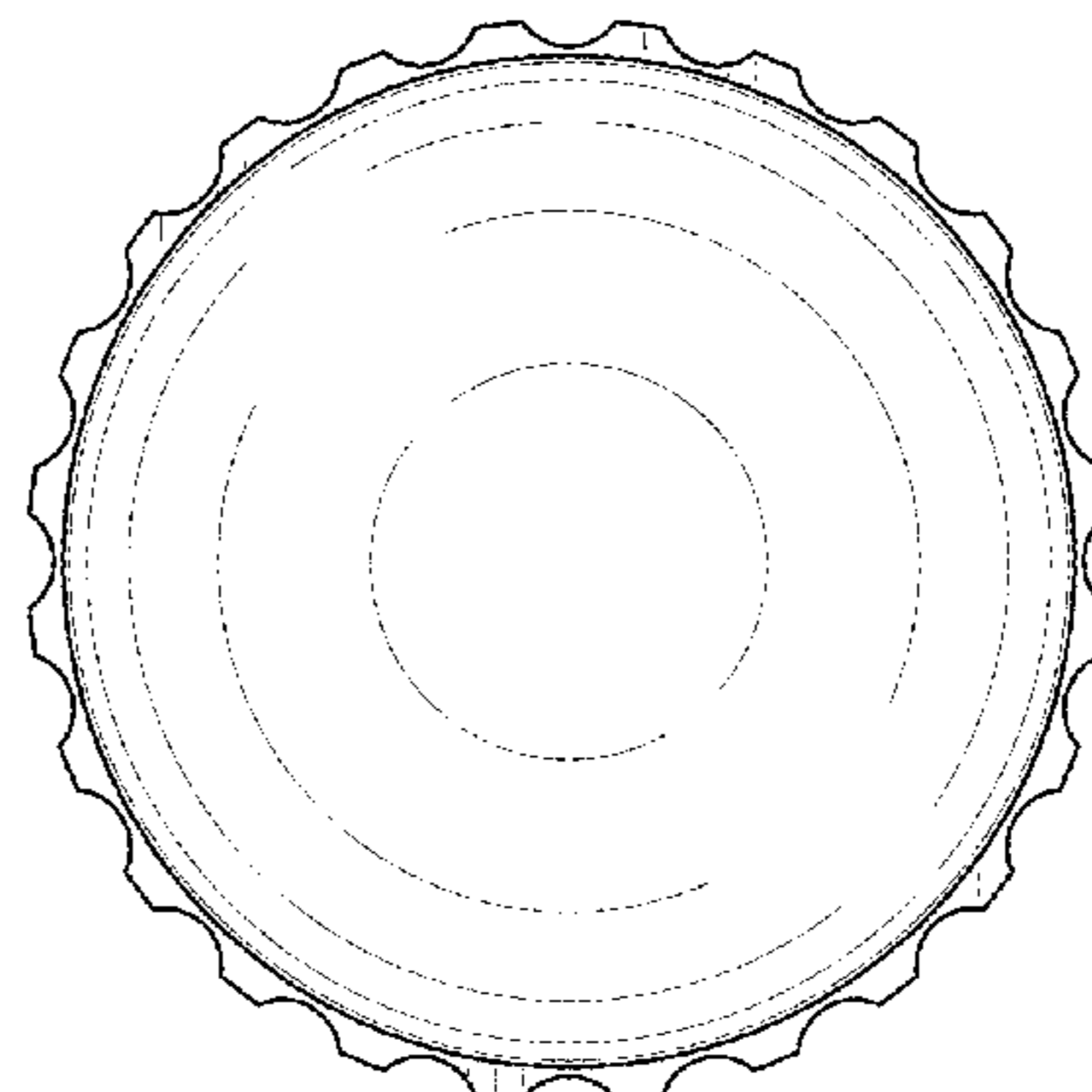
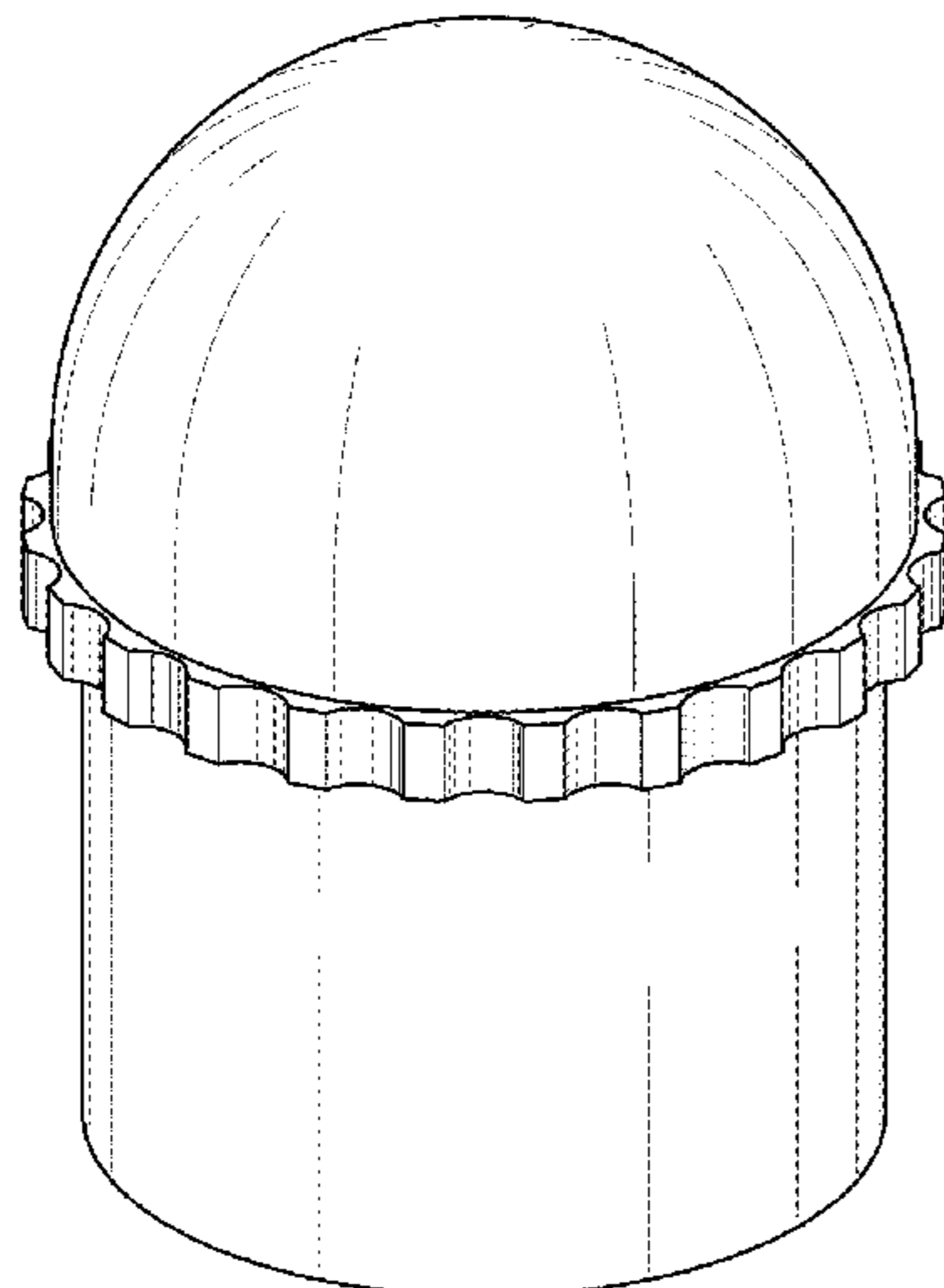
(57) **CLAIM**

The ornamental design for a cap for a bottle, as shown and described.

**DESCRIPTION**

FIG. 1 is an upper perspective view of the cap for a bottle showing my design.  
FIG. 2 is a front elevation, back elevation view, a side elevation view, and an opposite side elevation view thereof, being identical;  
FIG. 3 is a top plan view thereof; and,  
FIG. 4 is a bottom plan view thereof.  
The broken lines are shown for the purpose of illustrating the boundaries of the claim as well as threaded components, none of which form part of the claim.

**1 Claim, 2 Drawing Sheets**



(56)

**References Cited**

U.S. PATENT DOCUMENTS

D769,712 S \* 10/2016 Antignane ..... D9/435  
D790,966 S \* 7/2017 Roberts ..... D9/453  
2002/0096532 A1\* 7/2002 Berge ..... B65D 47/0819  
220/831

\* cited by examiner

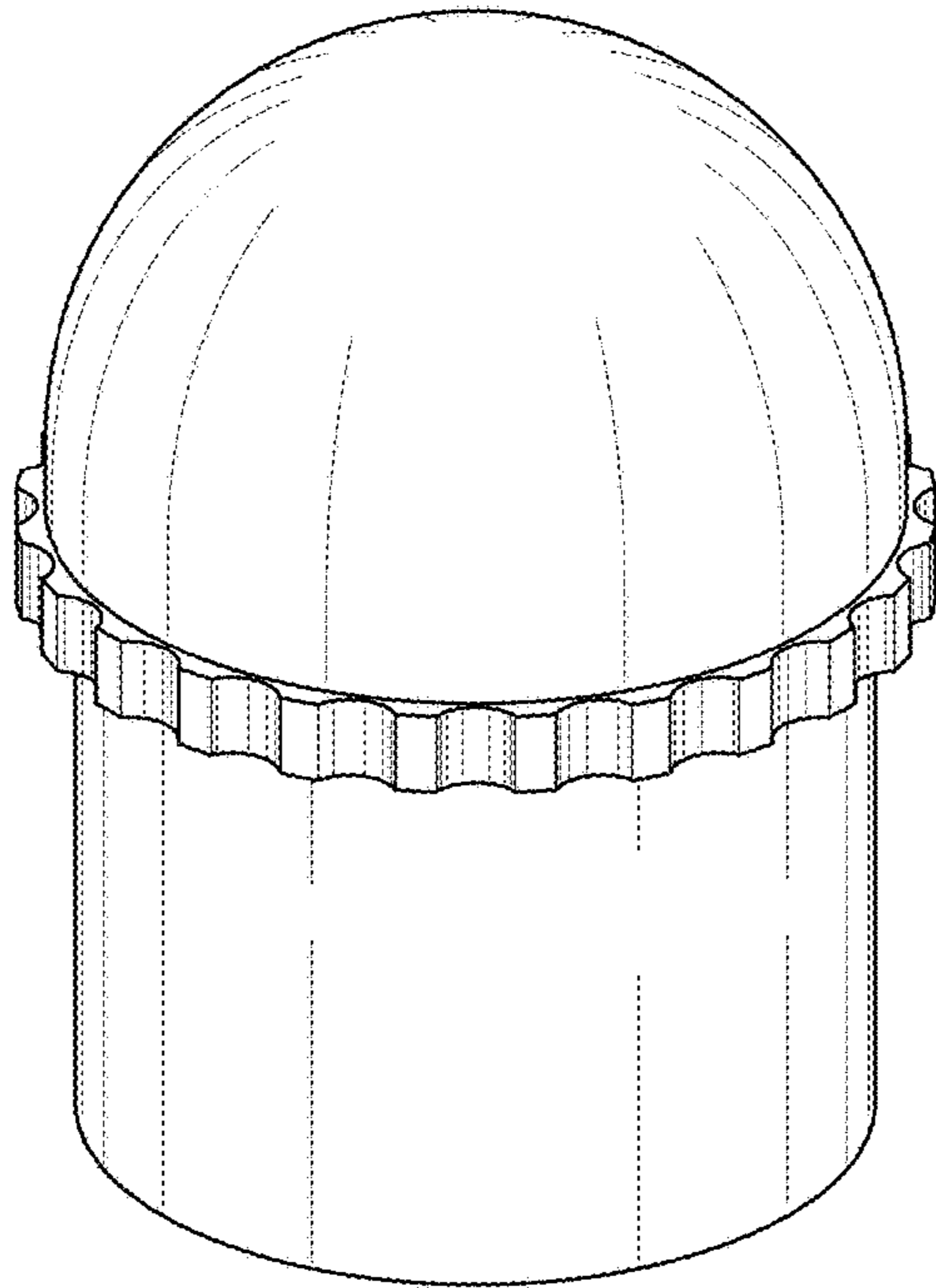


FIG. 1

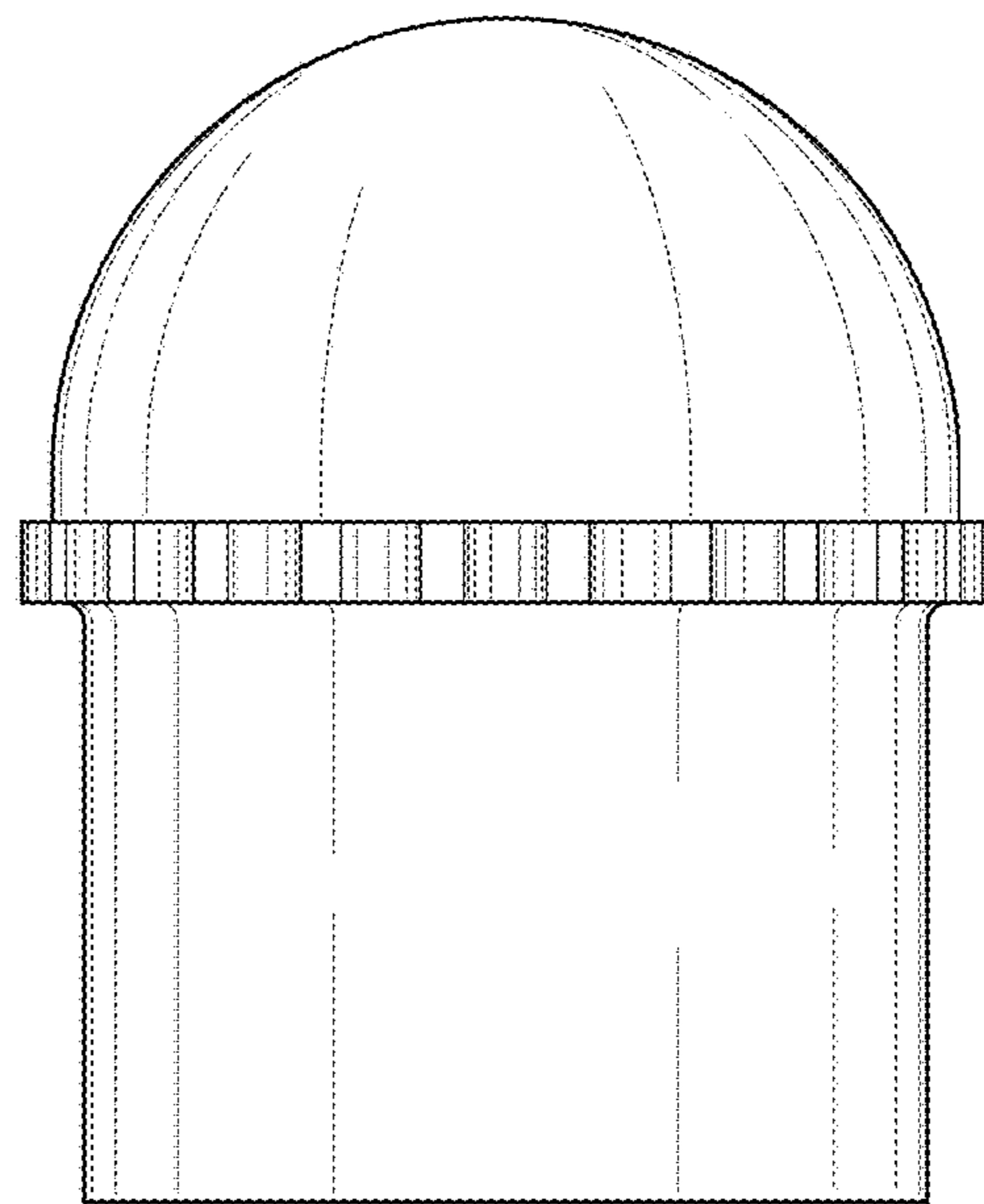
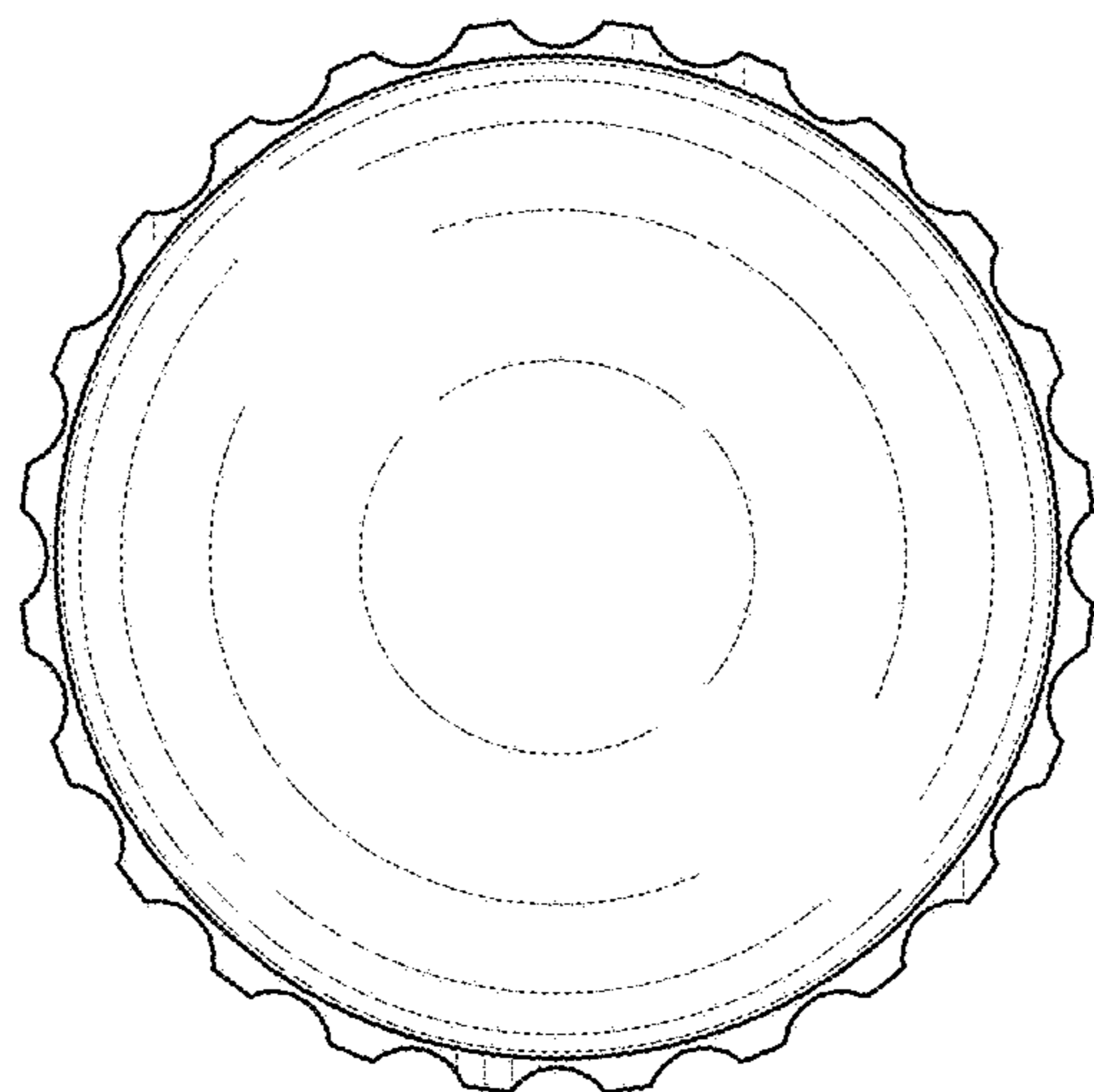
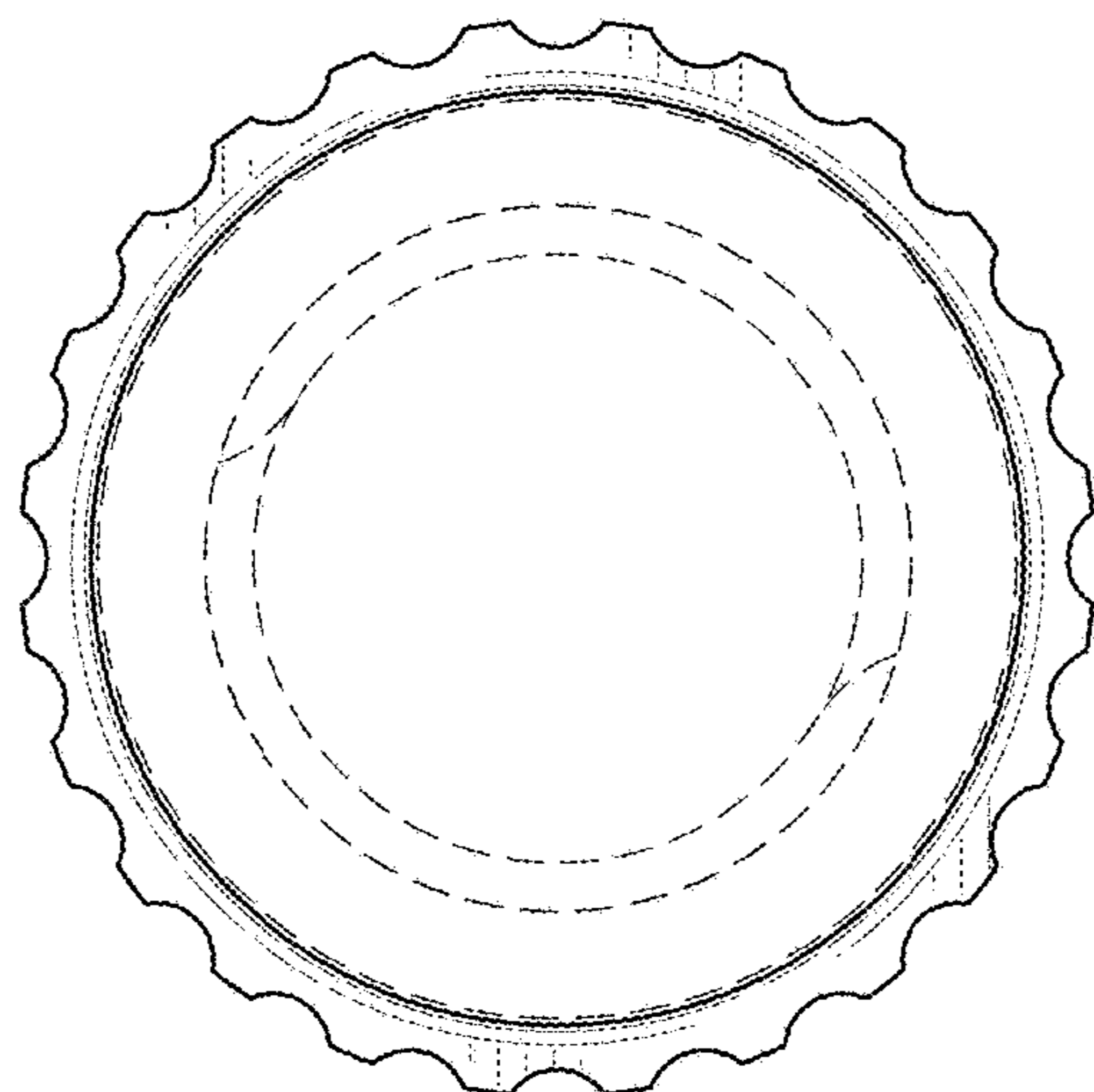


FIG. 2



*FIG. 3*



*FIG. 4*