



US00D839735S

(12) **United States Design Patent**
Pinard

(10) **Patent No.:** **US D839,735 S**

(45) **Date of Patent:** **** Feb. 5, 2019**

(54) **CAP FOR A BOTTLE**

(71) Applicant: **Jean-Pierre Pinard**, Oyonnax (FR)

(72) Inventor: **Jean-Pierre Pinard**, Oyonnax (FR)

(**) Term: **15 Years**

(21) Appl. No.: **29/623,902**

(22) Filed: **Oct. 27, 2017**

(51) **LOC (11) Cl.** **09-07**

(52) **U.S. Cl.**
USPC **D9/453**

(58) **Field of Classification Search**

USPC D3/10, 17, 29, 200, 202, 203.1, 207;
D7/387, 391, 392, 392.1, 393, 396.1,
D7/396.2, 398, 900; D8/300, 303, 321;
D9/434, 435, 439, 445, 446, 447, 448,
D9/449, 452, 453, 454, 442, 695-699,
D9/702-715, 723-729, 425, 428,
D9/500-505, 516, 529, 530, 537, 538,
D9/541, 546, 549, 566, 569, 570, 692,
D9/694, 745, 746, 774; D12/197, 200,
D12/220; D19/96, 162, 163, 187, 194;
D23/259, 260, 261; D24/111, 129, 130;
D28/76, 84; D30/121, 132, 133
CPC A45D 34/00; A45D 34/03; A45D 2200/05;
A45D 2200/051; A45D 34/02; A45D
2034/007; A45D 40/00; B65D 75/5883;
B65D 41/3414; B65D 41/00; B65D
41/3447; B65D 2101/0023; B65D
2101/0046; B65D 2213/00; B65D
81/3272; B65D 85/12; B65D 23/065;
B65D 47/066; A45F 3/16; A47G 19/2266;
A47G 19/2272

See application file for complete search history.

(56) **References Cited**

U.S. PATENT DOCUMENTS

D49,120 S * 5/1916 Hoffman D8/DIG. 2
D145,009 S * 6/1946 Derham D9/453

D253,289 S * 10/1979 Kato D14/217
D313,353 S * 1/1991 Hart D32/53.1
D352,896 S * 11/1994 Jones D9/503
D353,766 S * 12/1994 Thorso D9/428
D369,748 S * 5/1996 Zemlo D9/452
D386,410 S 11/1997 Mahlmann
D405,695 S * 2/1999 Zelmo D9/453
D442,860 S * 5/2001 Symons D9/425
6,783,014 B2 * 8/2004 Luker B65D 41/0414
215/303
D520,361 S * 5/2006 Crawford D9/453
D539,480 S * 3/2007 Kostow D28/76
D577,999 S * 10/2008 Pivert D9/451
D626,324 S * 11/2010 Ma D3/10
D631,349 S * 1/2011 Arnell D9/452
D676,748 S 2/2013 Guillois
D679,182 S 4/2013 Papiernik
D682,694 S 5/2013 van den Hoonard

(Continued)

Primary Examiner — Jennifer Rivard

Assistant Examiner — Catherine S Posthauer

(74) *Attorney, Agent, or Firm* — Andrew W. Chu; Craft
Chu PLLC

(57) **CLAIM**

The ornamental design for a cap for a bottle, as shown and
described.

DESCRIPTION

FIG. 1 is an upper perspective view of the cap for a bottle
showing my design.

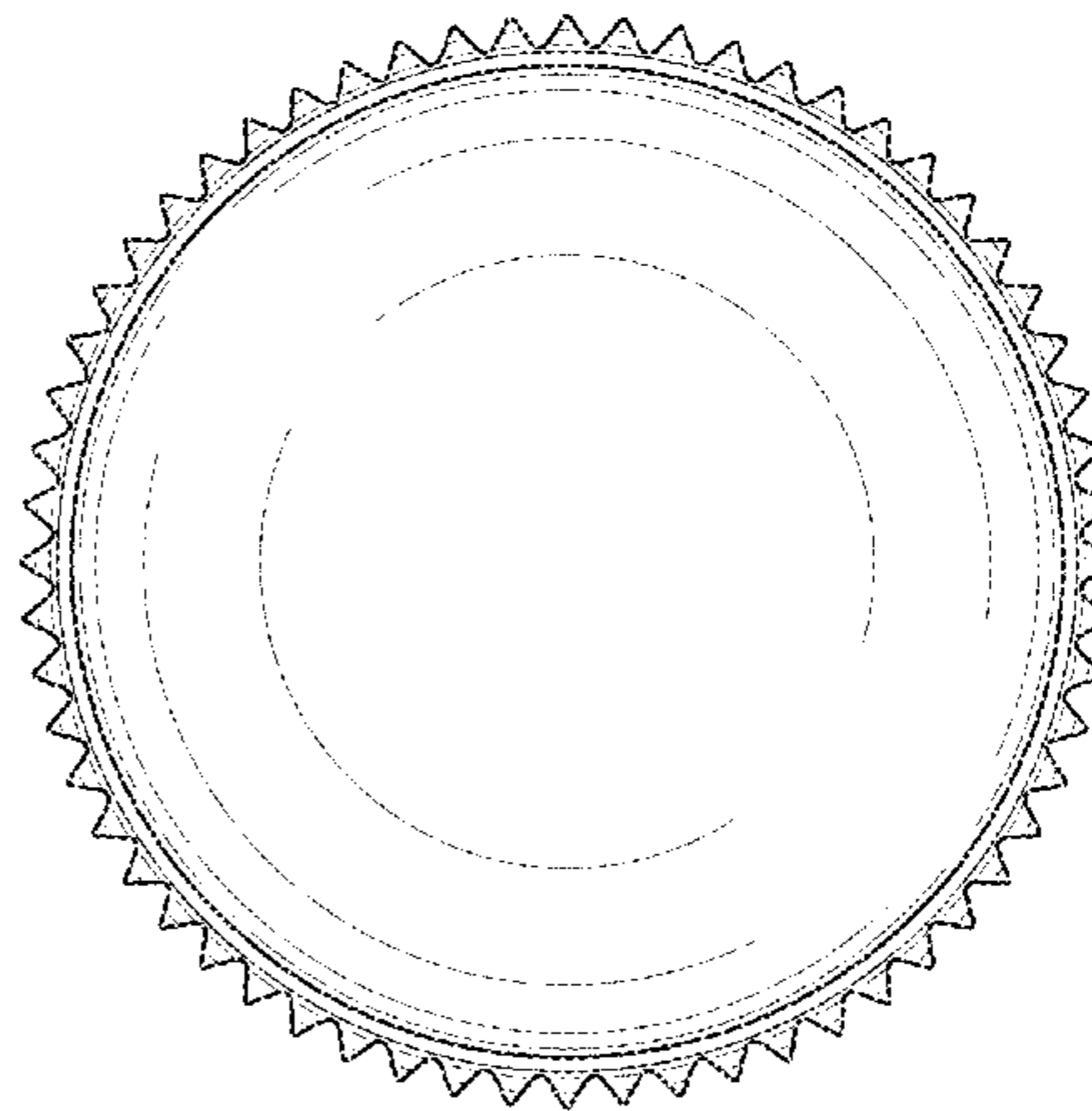
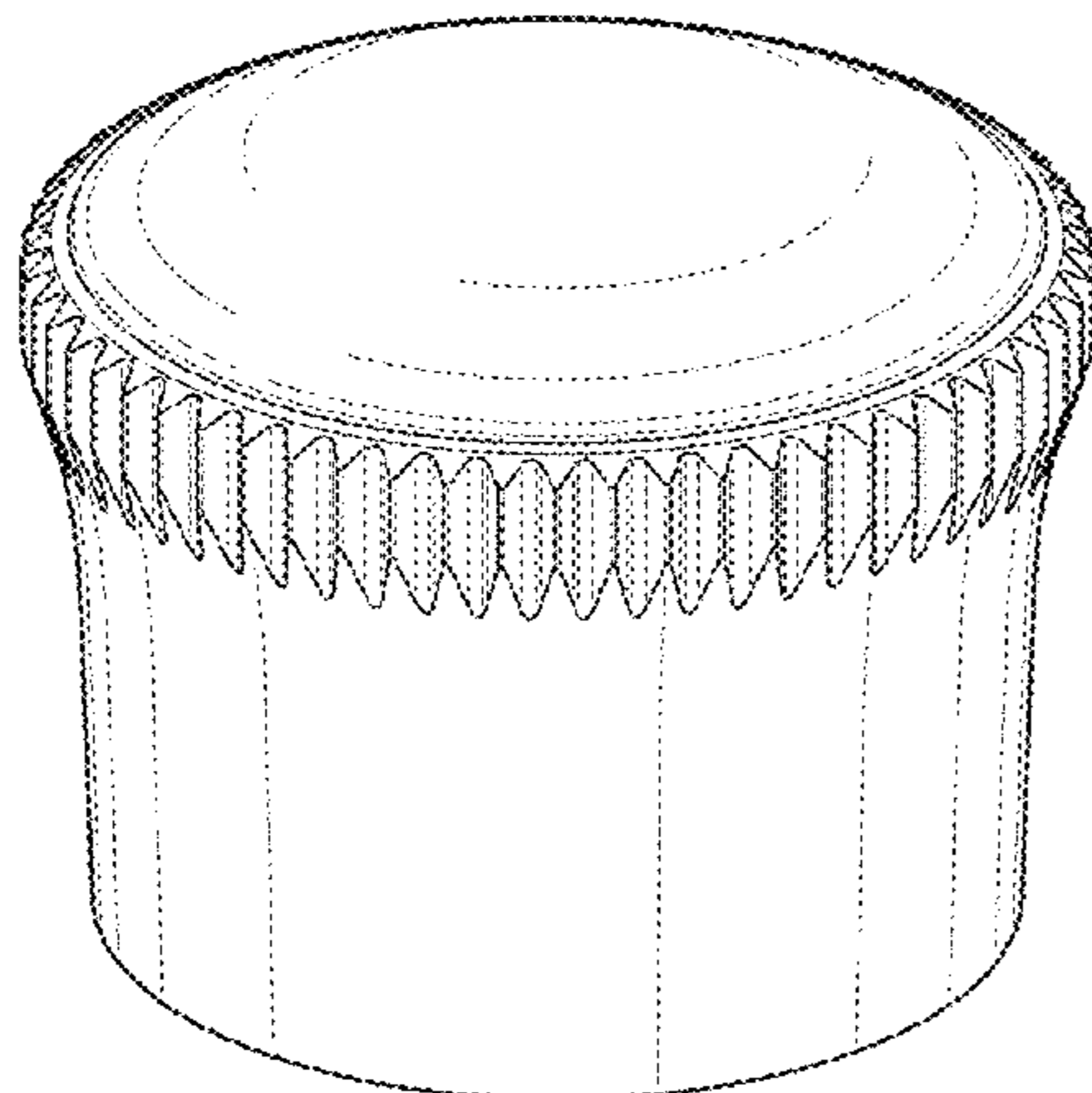
FIG. 2 is a front elevation, back elevation view, a side
elevation view, and an opposite side elevation view thereof,
being identical;

FIG. 3 is a top plan view thereof; and,

FIG. 4 is a bottom plan view thereof.

The broken lines are shown for the purpose of illustrating the
boundaries of the claim as well as threaded components,
none of which form part of the claim.

1 Claim, 2 Drawing Sheets



(56)

References Cited

U.S. PATENT DOCUMENTS

D708,939	S	*	7/2014	Zaikov	D9/504
D756,221	S	*	5/2016	Koop	D9/453
9,340,332	B2	*	5/2016	Antal, Sr.	B65D 51/18
D774,392	S	*	12/2016	Broad	D9/434
D790,966	S	*	7/2017	Roberts	D9/453

* cited by examiner

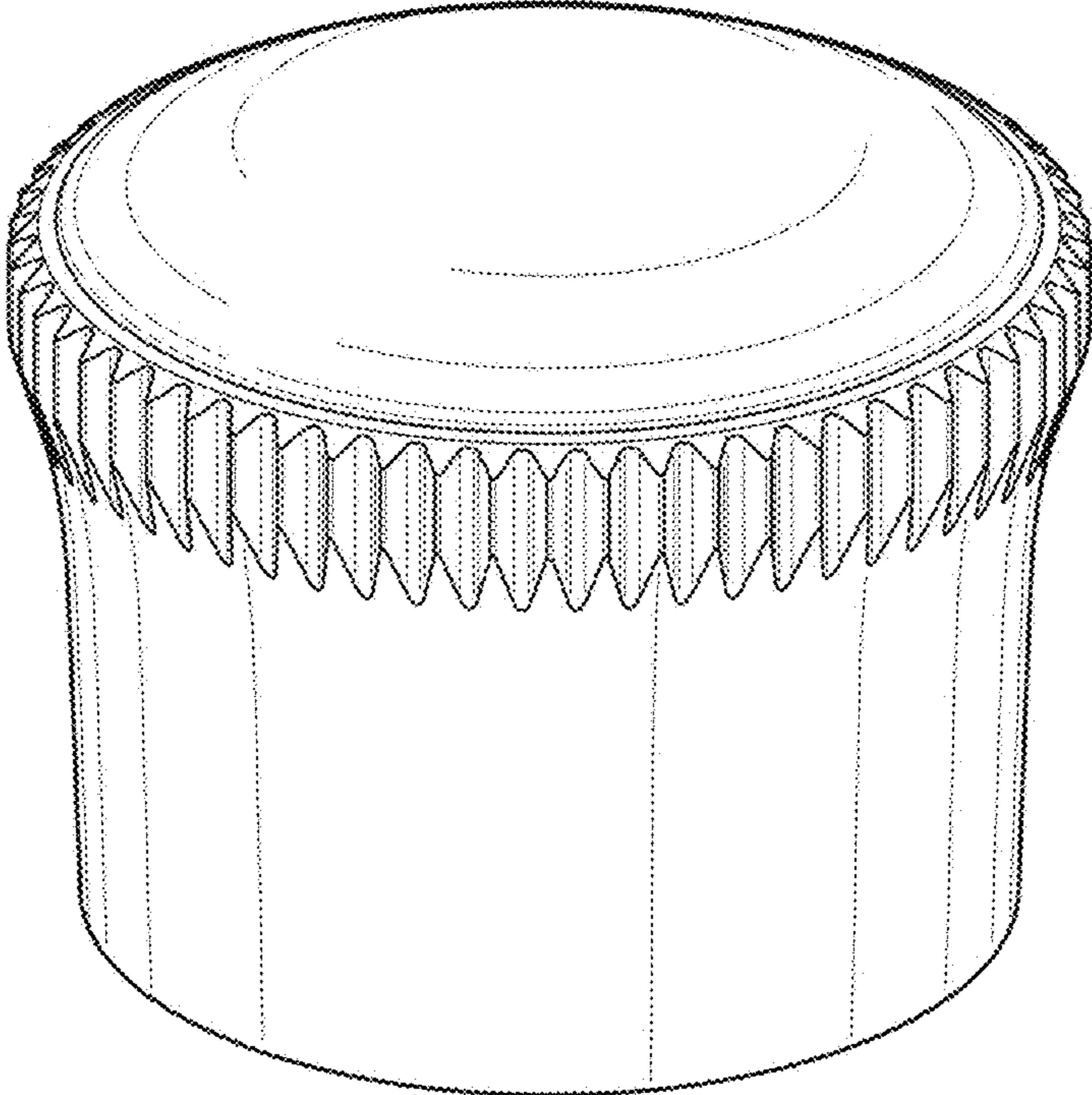


FIG. 1

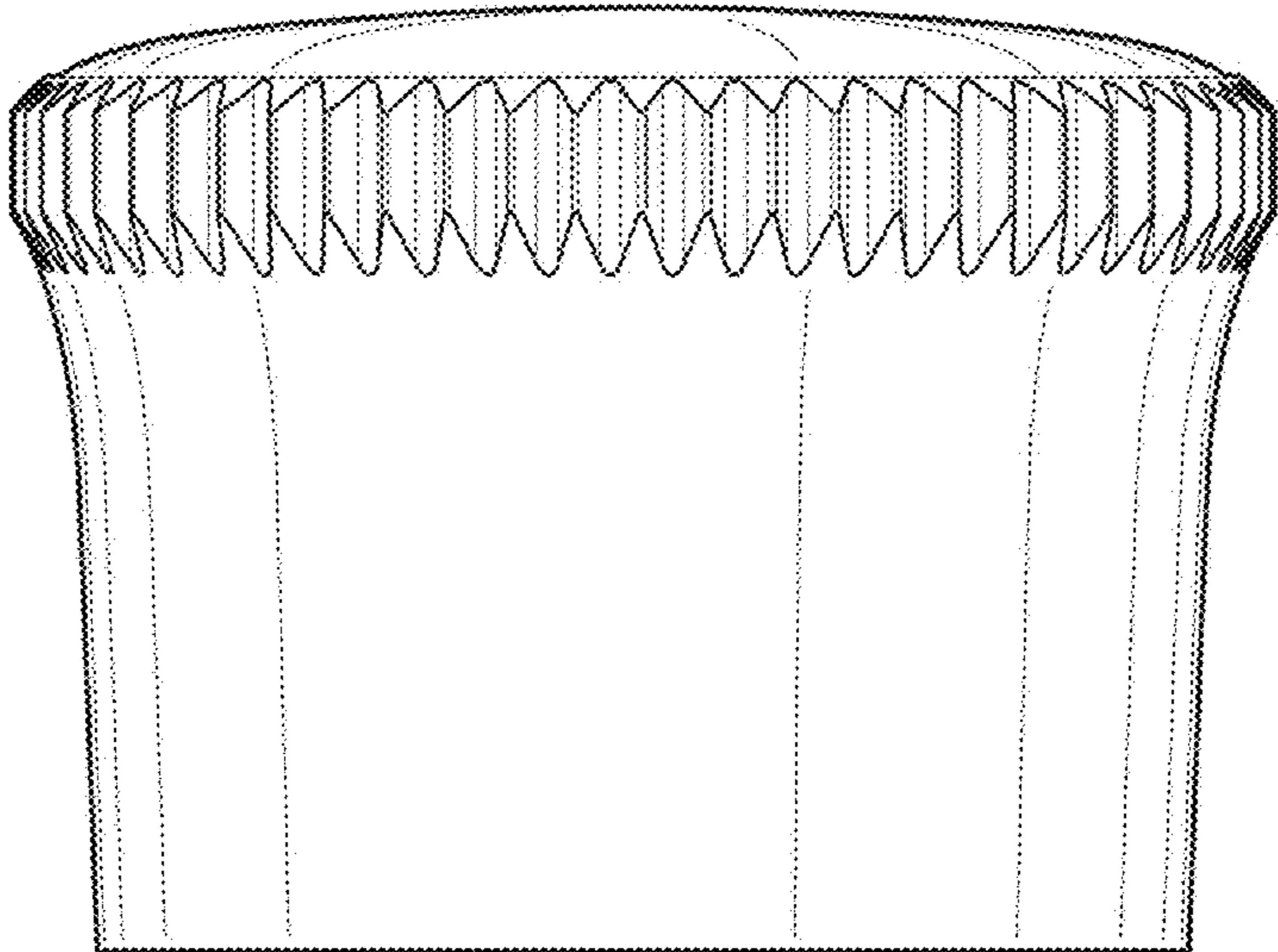


FIG. 2

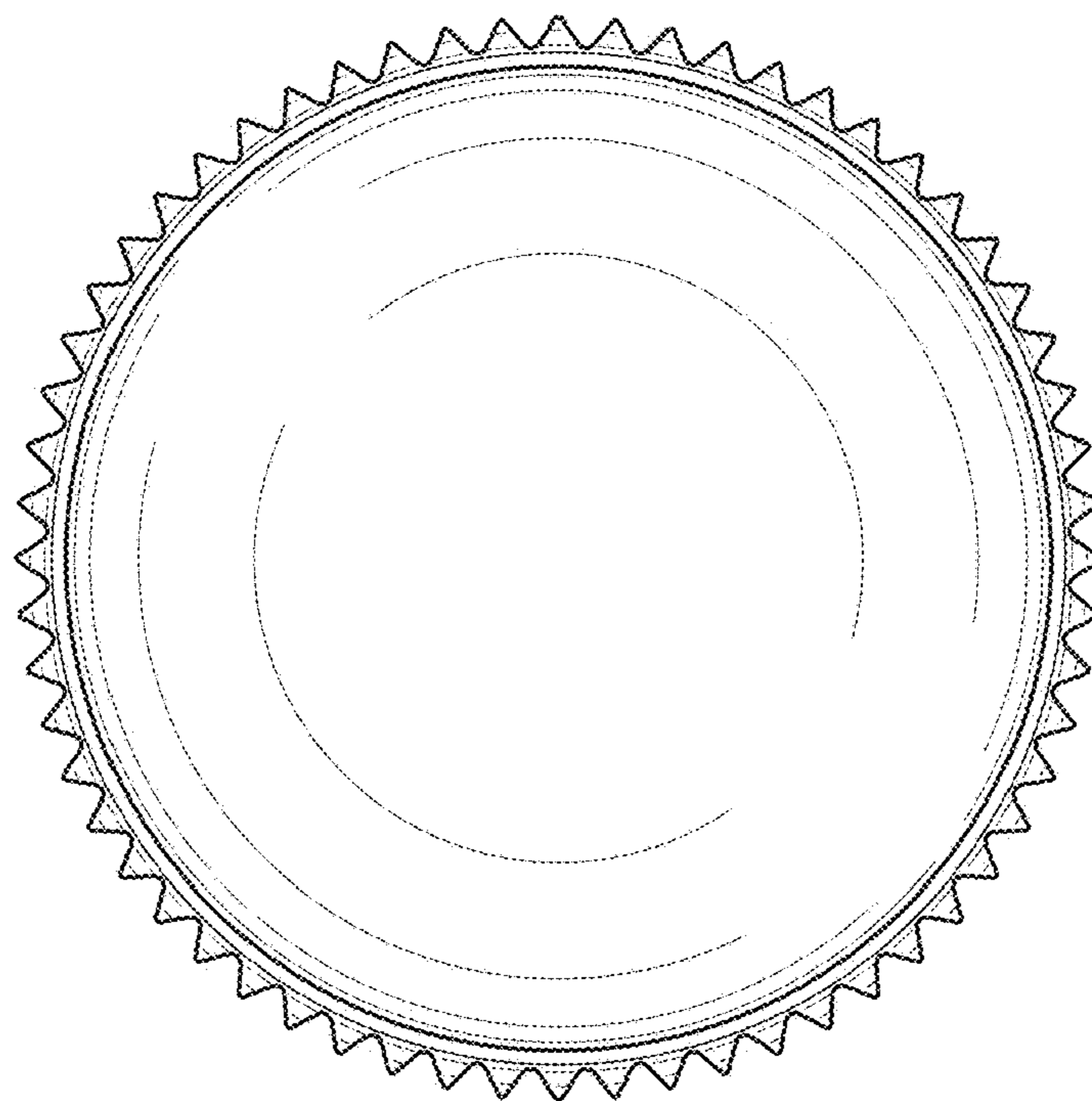


FIG. 3

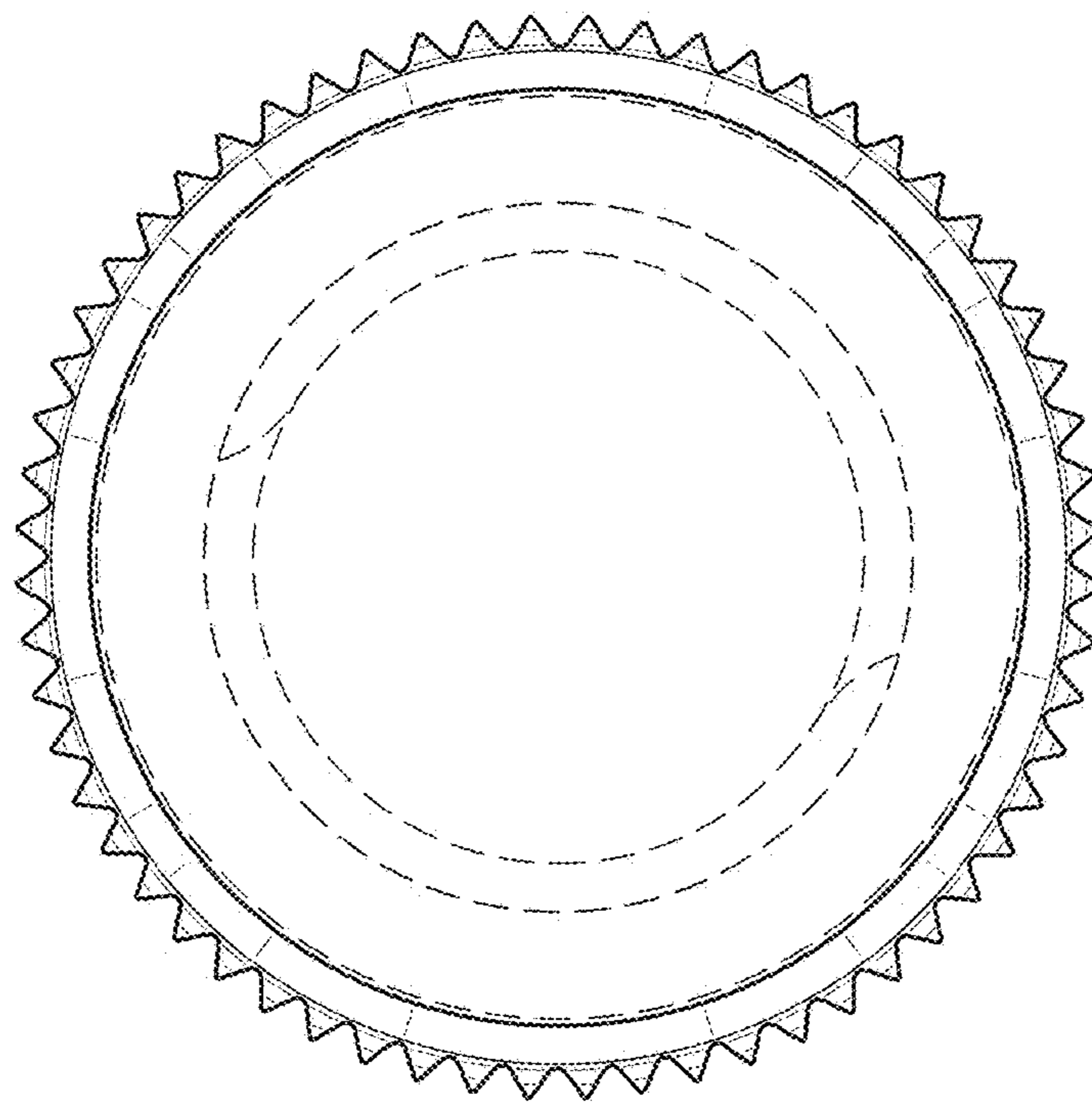


FIG. 4