



US00D839731S

(12) **United States Design Patent** (10) **Patent No.:** **US D839,731 S**
Lin (45) **Date of Patent:** **** Feb. 5, 2019**

(54) **CUP LID**
(71) Applicant: **Kuang Yu Lin**, Walnut, CA (US)
(72) Inventor: **Kuang Yu Lin**, Walnut, CA (US)
(**) Term: **15 Years**
(21) Appl. No.: **29/625,842**
(22) Filed: **Nov. 13, 2017**
(51) **LOC (11) Cl.** **09-07**
(52) **U.S. Cl.**
USPC **D9/447**
(58) **Field of Classification Search**
USPC D9/428, 429, 432, 434, 435, 436, 439,
D9/440, 443, 444, 445, 447, 449-455,
D9/499, 500, 503, 504, 705; D7/317,
D7/387, 391, 392, 392.1, 393, 396.1,
D7/396.2, 509-511, 538, 900; D3/202,
D3/203.2, 294, 302, 318; D28/91
CPC .. A61J 1/00; A61J 1/1412; B65D 1/00; B65D
1/02; B65D 1/10; B65D 1/46; B65D
2585/56; B65D 2585/545; B65D 41/00;
B65D 41/38; B65D 41/56; B65D 41/62;
B65D 47/00; B65D 47/06; B65D 47/08;
B65D 2543/00046; B65D 2543/00092;
B65D 2543/00296; B65D 5/46; B65D
2251/00
See application file for complete search history.

D602,355 S * 10/2009 Waaland D9/436
D614,954 S * 5/2010 Crowell D9/447
D629,298 S * 12/2010 Wong D9/447
8,052,003 B2 * 11/2011 Burns B65D 39/0005
220/254.7
D675,058 S * 1/2013 Lee D7/392.1
D712,261 S * 9/2014 Humm D9/449
D720,615 S * 1/2015 Panone D9/447
D720,616 S * 1/2015 Lam D9/447
D722,873 S * 2/2015 Wu D9/447
D752,436 S * 3/2016 Crudgington D9/434
D782,308 S * 3/2017 Khalaf D9/447

(Continued)

Primary Examiner — Michael A. Pratt
Assistant Examiner — Wendy L Arminio
(74) *Attorney, Agent, or Firm* — Tommy SF Wang; Want
IP Law Group, P.C.

(57) **CLAIM**

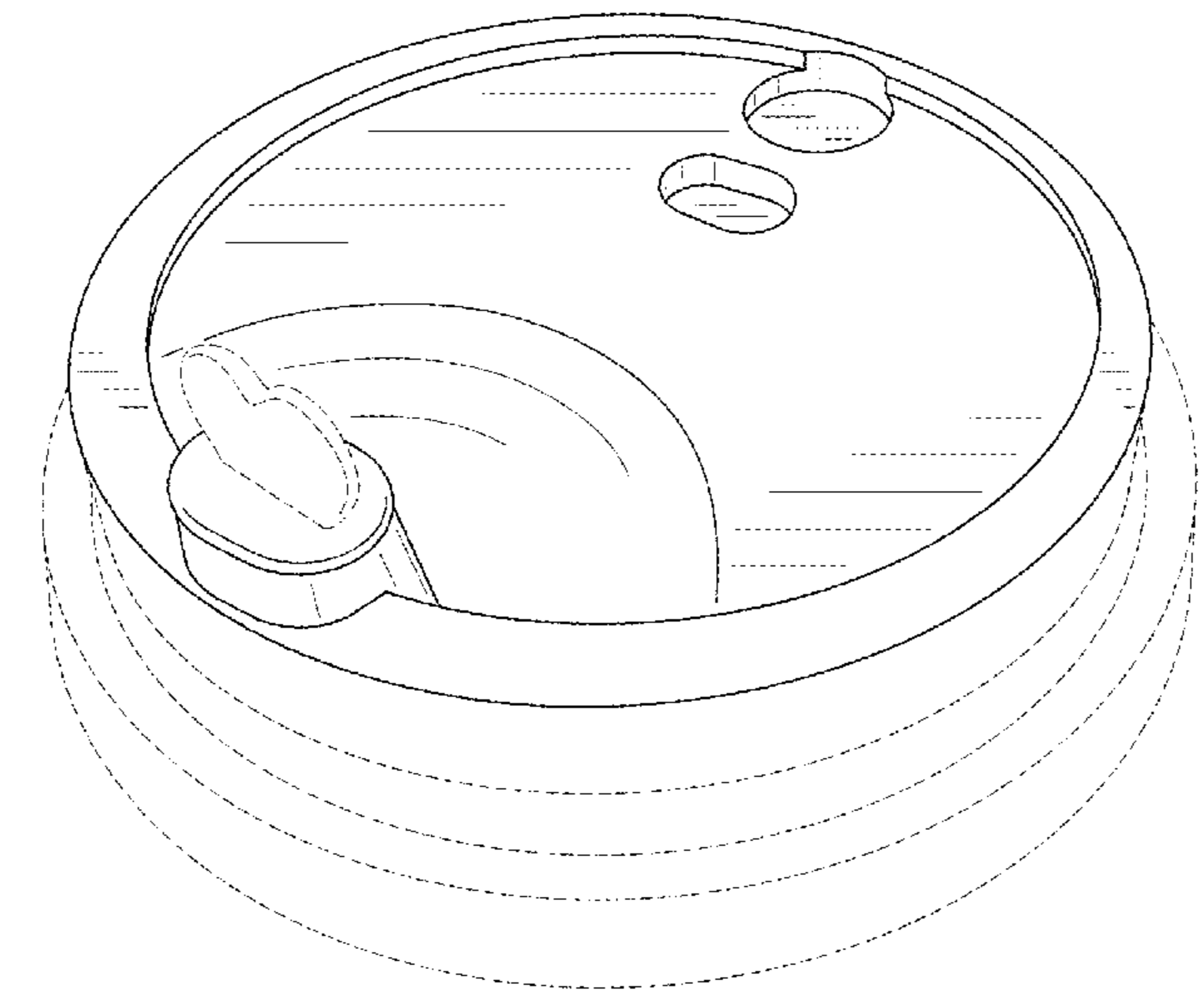
The ornamental design for a cup lid, as shown and described.

DESCRIPTION

FIG. 1 is a front perspective view of a cup lid showing my new design;
FIG. 2 is a front view thereof;
FIG. 3 is a rear view thereof;
FIG. 4 is a left side view thereof;
FIG. 5 is a right side view thereof;
FIG. 6 is a top view thereof;
FIG. 7 is a bottom view thereof;
FIG. 8 is a rear perspective view thereof; and,
FIG. 9 is another front perspective view thereof with the cup lid shown in a condition of use with a cup, wherein a position of a stopper of the cup lid is changeable.
The broken line portions of the cup lid in FIGS. 1-9 represent unclaimed portions of the claimed design and form no part thereof. The broken lines of the cup in FIG. 9 illustrate unclaimed environment and forms no part of the claimed design.

1 Claim, 6 Drawing Sheets

(56) **References Cited**
U.S. PATENT DOCUMENTS
4,880,136 A * 11/1989 Englert B65D 47/265
220/253
D447,412 S * 9/2001 Durdon D9/438
D476,566 S * 7/2003 Smith D9/447
D476,891 S * 7/2003 Clarke D9/447
D485,758 S * 1/2004 Clarke D9/447
D493,718 S * 8/2004 Durdon D9/435
D515,918 S * 2/2006 Hierzer D9/435



(56)

References Cited

U.S. PATENT DOCUMENTS

D816,495 S * 5/2018 Chou D9/447
2007/0012709 A1 * 1/2007 Durdon B65D 43/0212
220/791
2007/0023442 A1 * 2/2007 Auzenne B65D 39/0005
220/801
2009/0223961 A1 * 9/2009 Wang B65D 43/0212
220/281
2013/0240546 A1 * 9/2013 Chen B65D 43/0212
220/712
2016/0029824 A1 * 2/2016 Yiu B65D 43/14
220/254.1
2016/0288963 A1 * 10/2016 D'Amato B65D 47/0847
2017/0127860 A1 * 5/2017 Khalaf B65D 43/0212

* cited by examiner

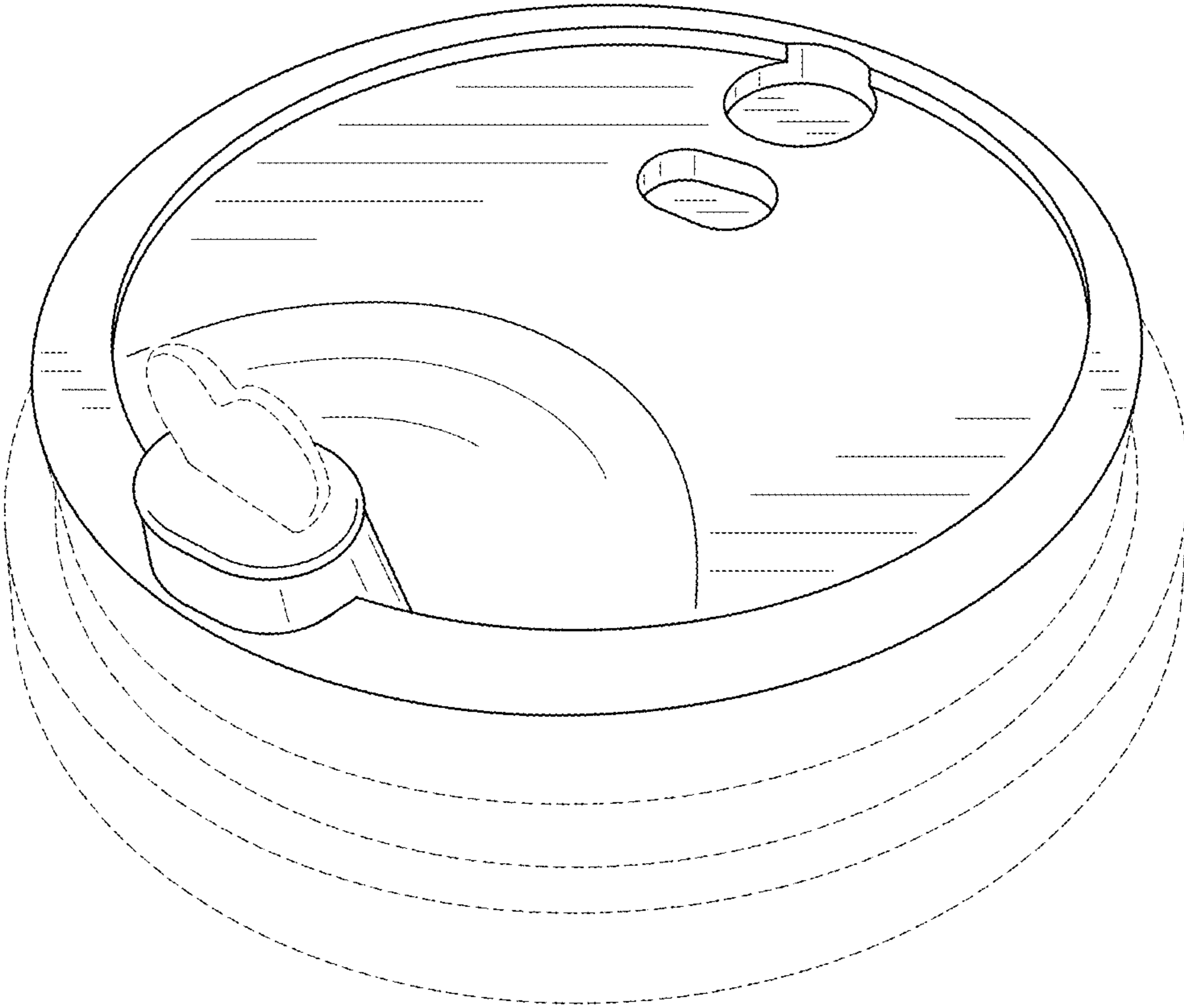


FIG. 1

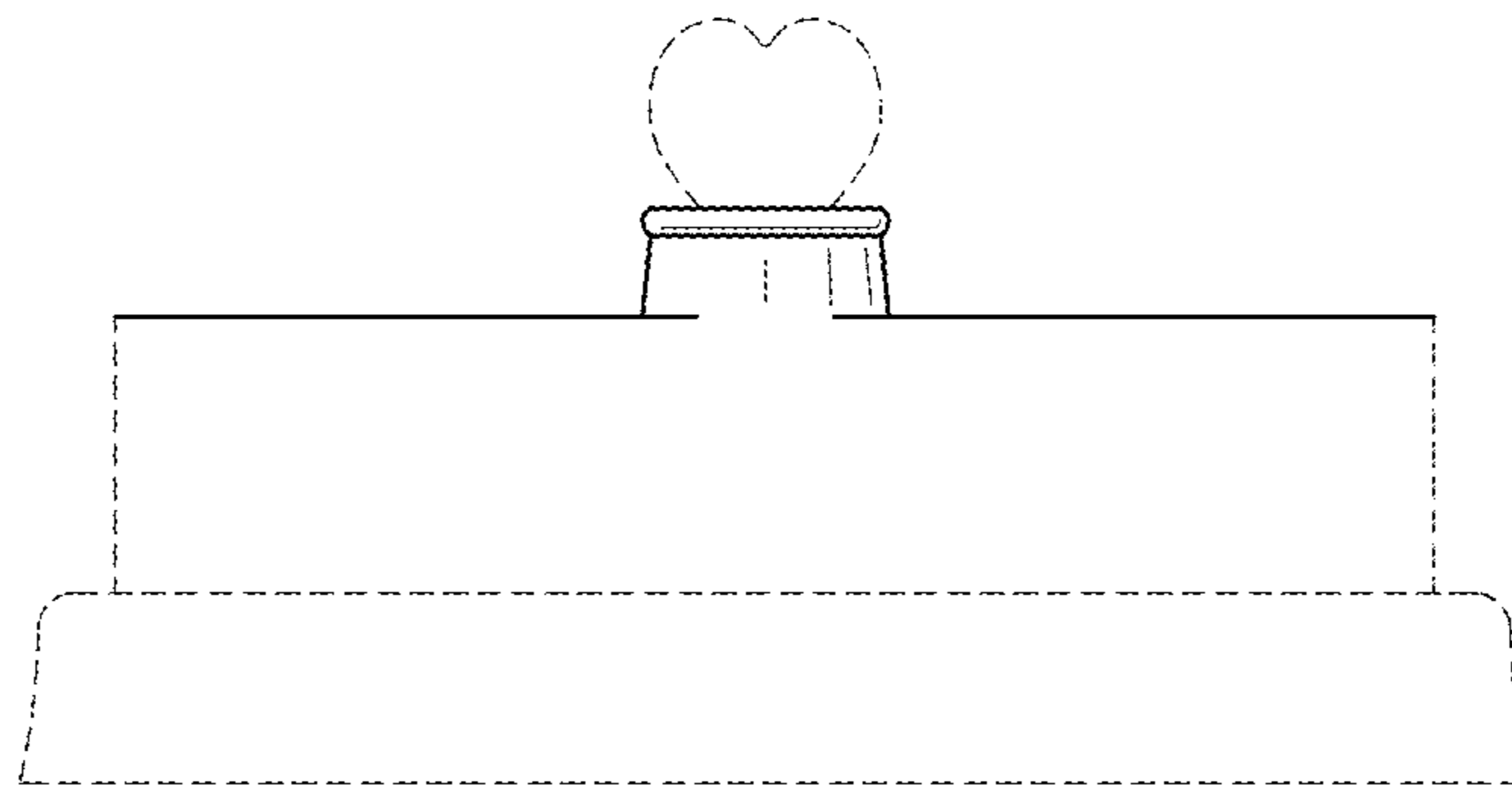


FIG. 2

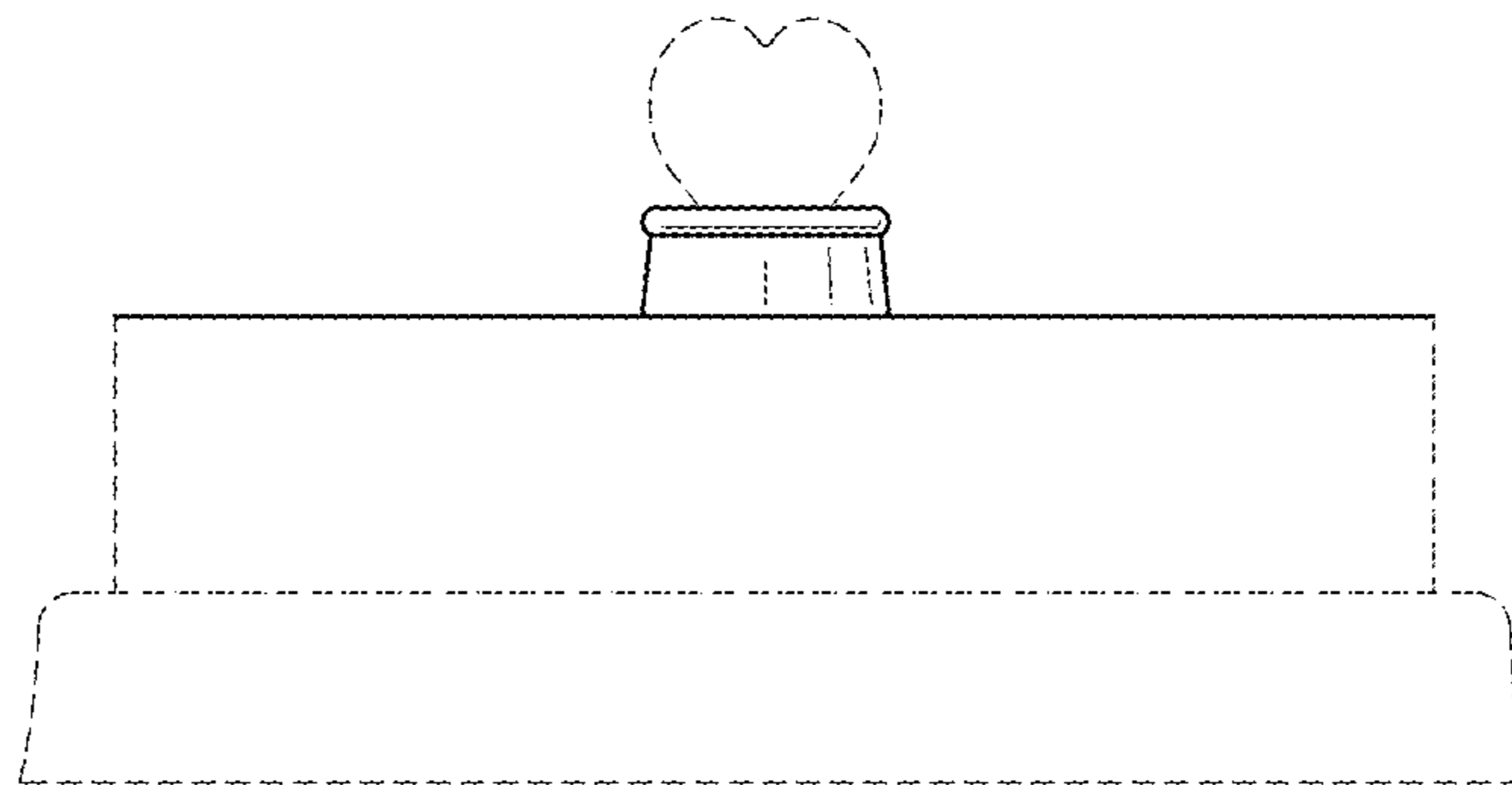


FIG. 3

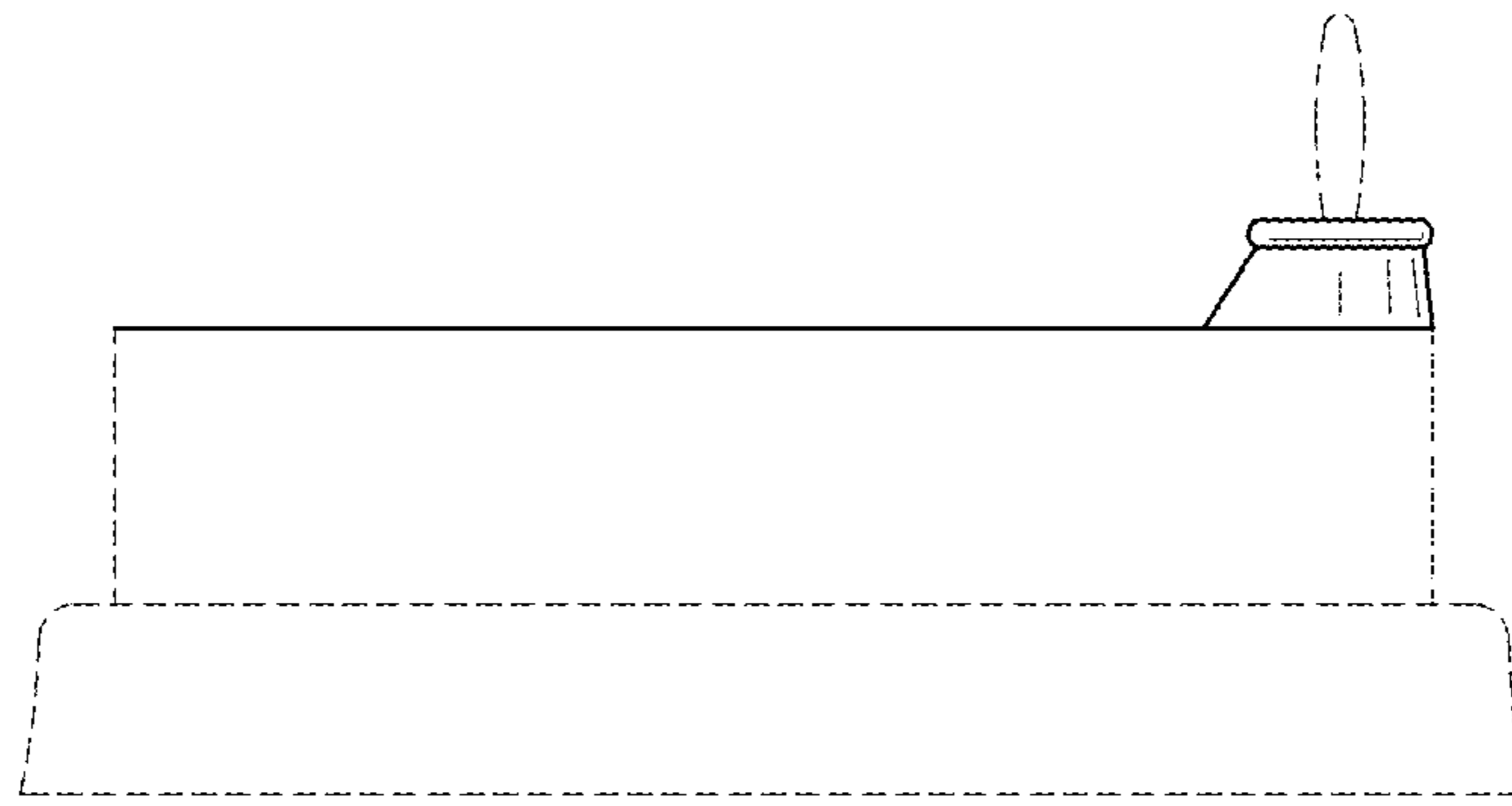


FIG. 4

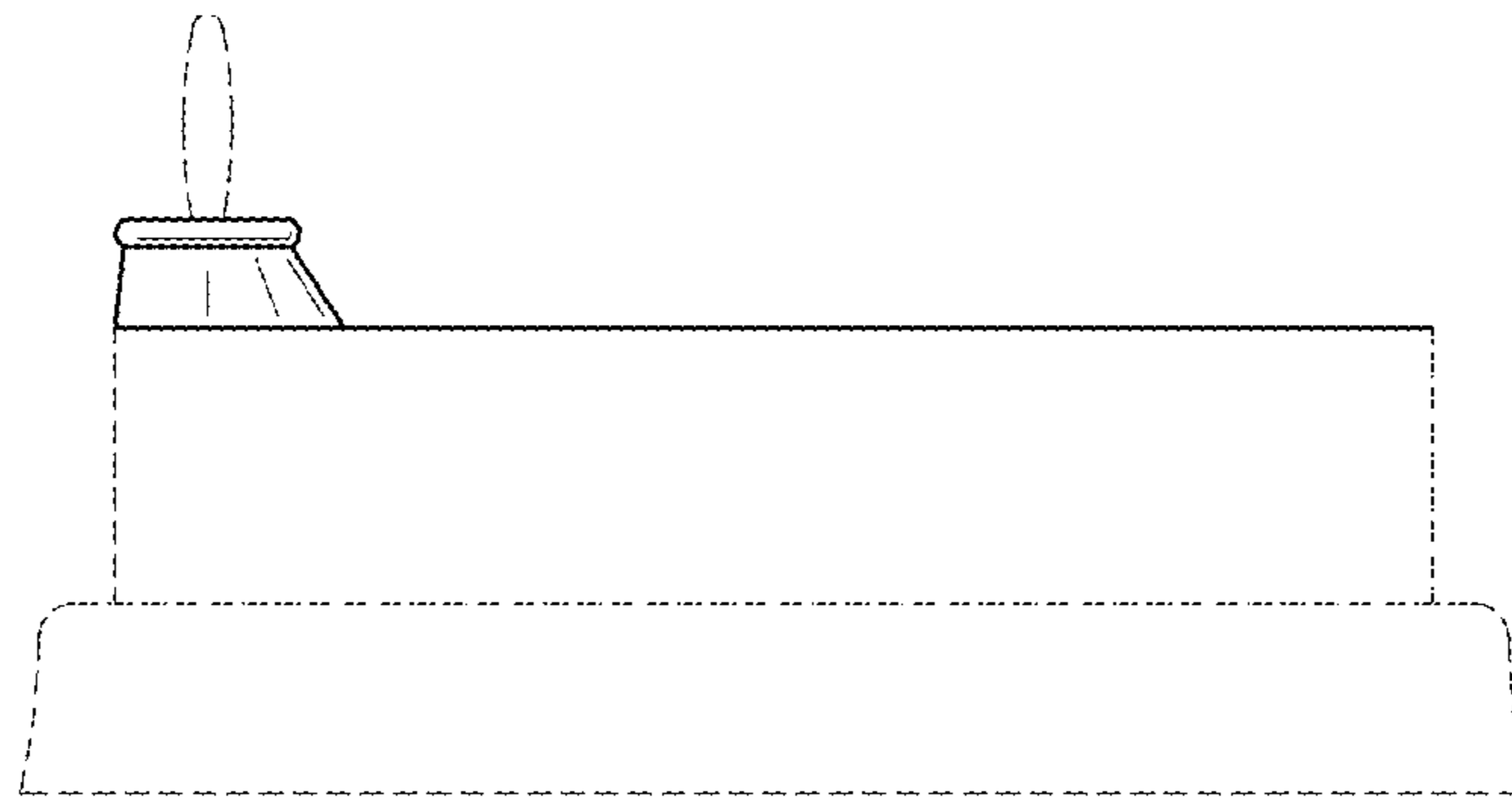


FIG. 5

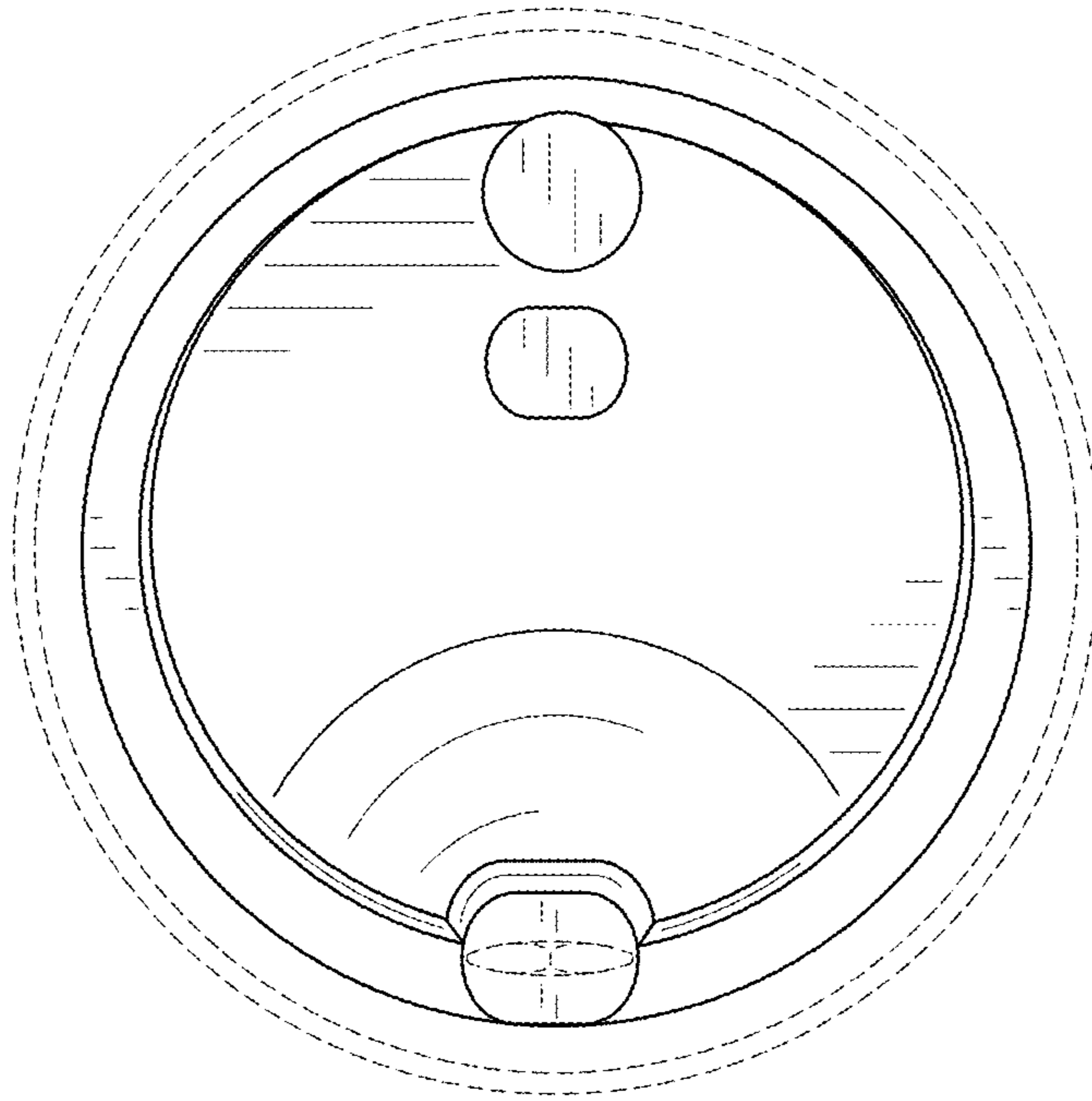


FIG. 6

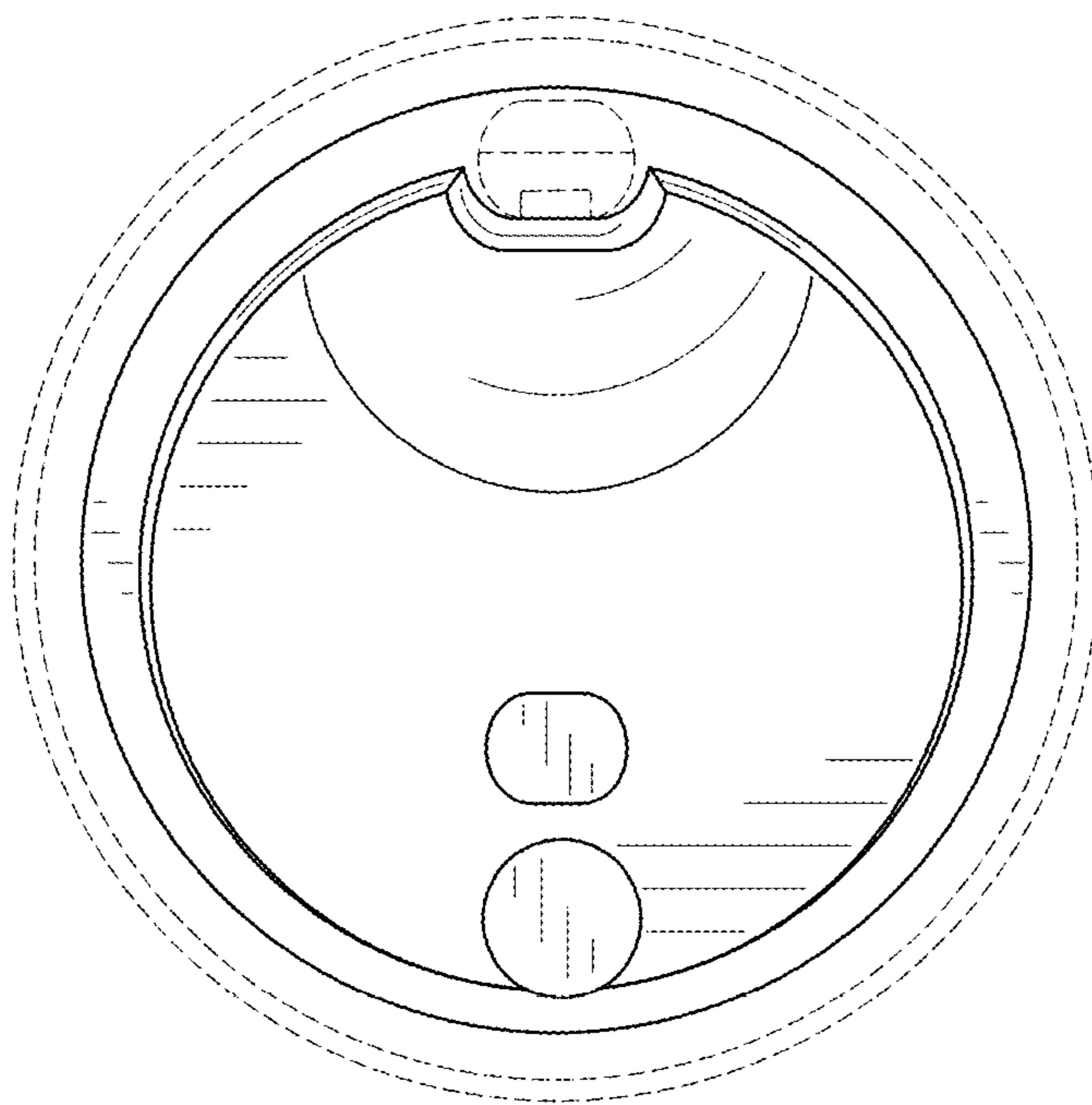


FIG. 7

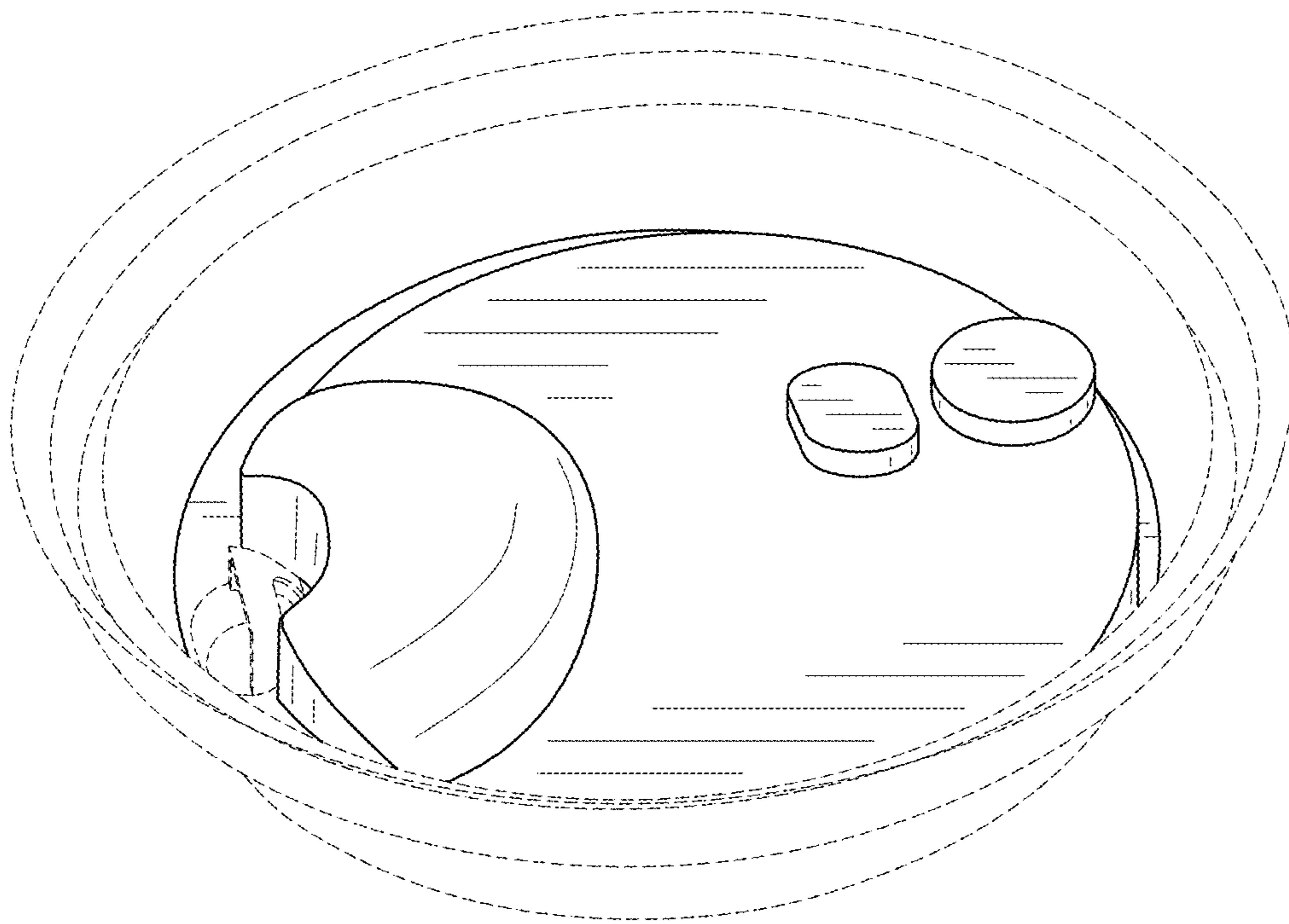


FIG. 8

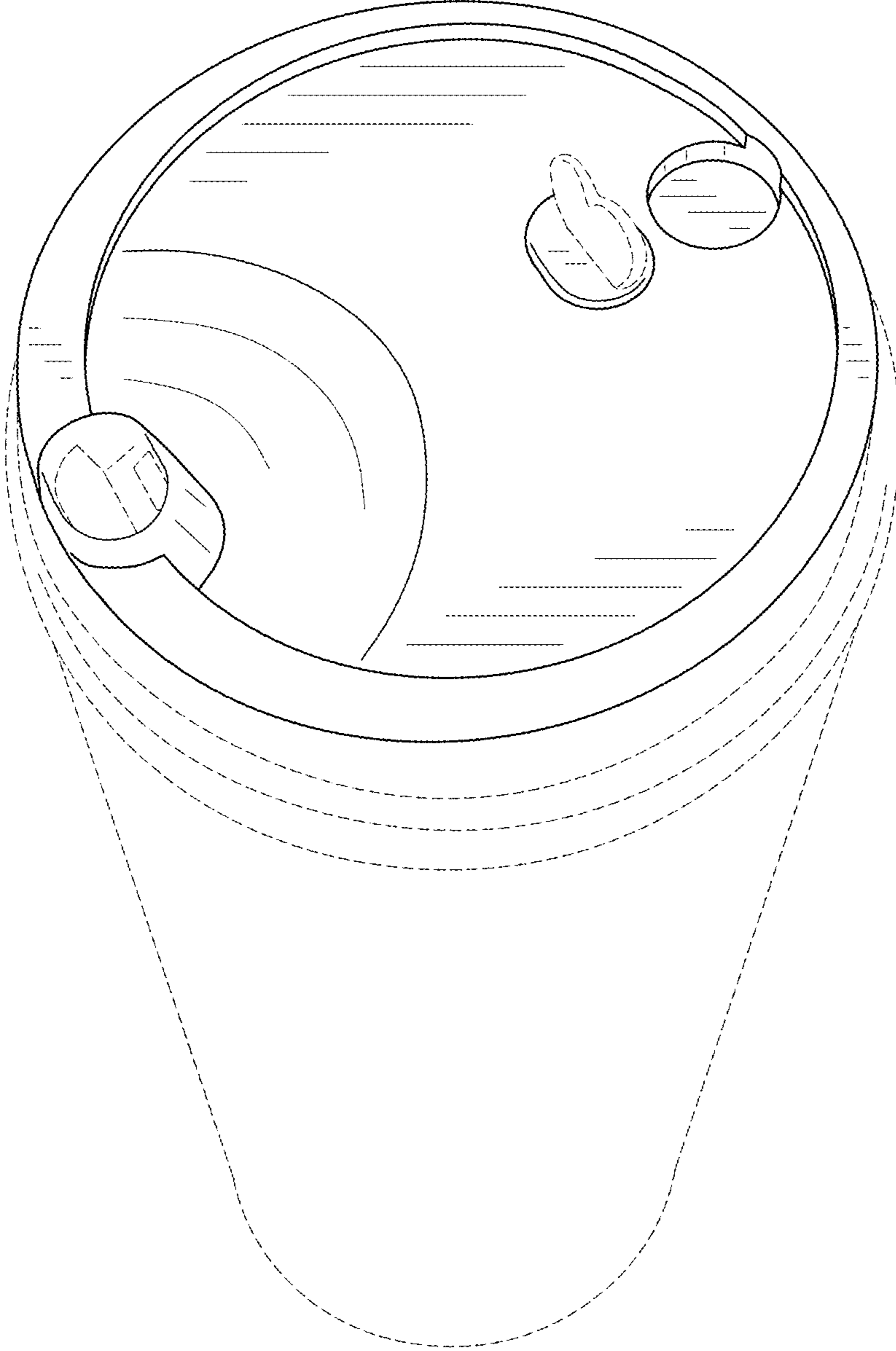


FIG. 9