



US00D839729S

(12) **United States Design Patent**
Oliveira

(10) **Patent No.:** **US D839,729 S**

(45) **Date of Patent:** **** Feb. 5, 2019**

- (54) **COVER FOR A CONTAINER**
- (71) Applicant: **Graphic Packaging International, Inc.**, Atlanta, GA (US)
- (72) Inventor: **Steven M. Oliveira**, Canton, GA (US)
- (73) Assignee: **Graphic Packaging International, LLC**, Atlanta, GA (US)
- (**) Term: **15 Years**
- (21) Appl. No.: **29/617,741**
- (22) Filed: **Sep. 15, 2017**
- (51) **LOC (11) Cl.** **09-07**
- (52) **U.S. Cl.**
USPC **D9/443; D9/449**
- (58) **Field of Classification Search**
USPC D3/201, 202, 242, 243, 272, 276, 304, D3/307, 315, 318; D7/387, 392.1, 601, D7/602, 609, 610, 622, 629, 630, 705, D7/708.1; D9/414-419, 421-425, 427, D9/429, 430-436, 443, 455-457, 499, D9/504, 737, 744, 745, 751, 761, 449
CPC . B65D 5/0227; B65D 5/46024; B65D 5/4608
See application file for complete search history.

3,075,799 A 1/1963 Weiss
 3,123,213 A 3/1964 Kulig
 3,151,802 A 10/1964 Sperry
 (Continued)

FOREIGN PATENT DOCUMENTS

BE 904404 6/1986
 DE 103 04 527 8/2004
 (Continued)

OTHER PUBLICATIONS

Mr. Takeout Bags. To Go Containers. Nov. 1, 2017 [earliest online date], [site visited Jun. 20, 2018]. Available from Internet, <URL:https://www.mrtakeoutbags.com/store/boxes-containers.html>. (Year: 2017).*

Primary Examiner — George D. Kirschbaum
Assistant Examiner — Darcey E Heflin
 (74) *Attorney, Agent, or Firm* — Womble Bond Dickinson (US) LLP

(57) **CLAIM**

The ornamental design for a cover for a container, as shown and described.

DESCRIPTION

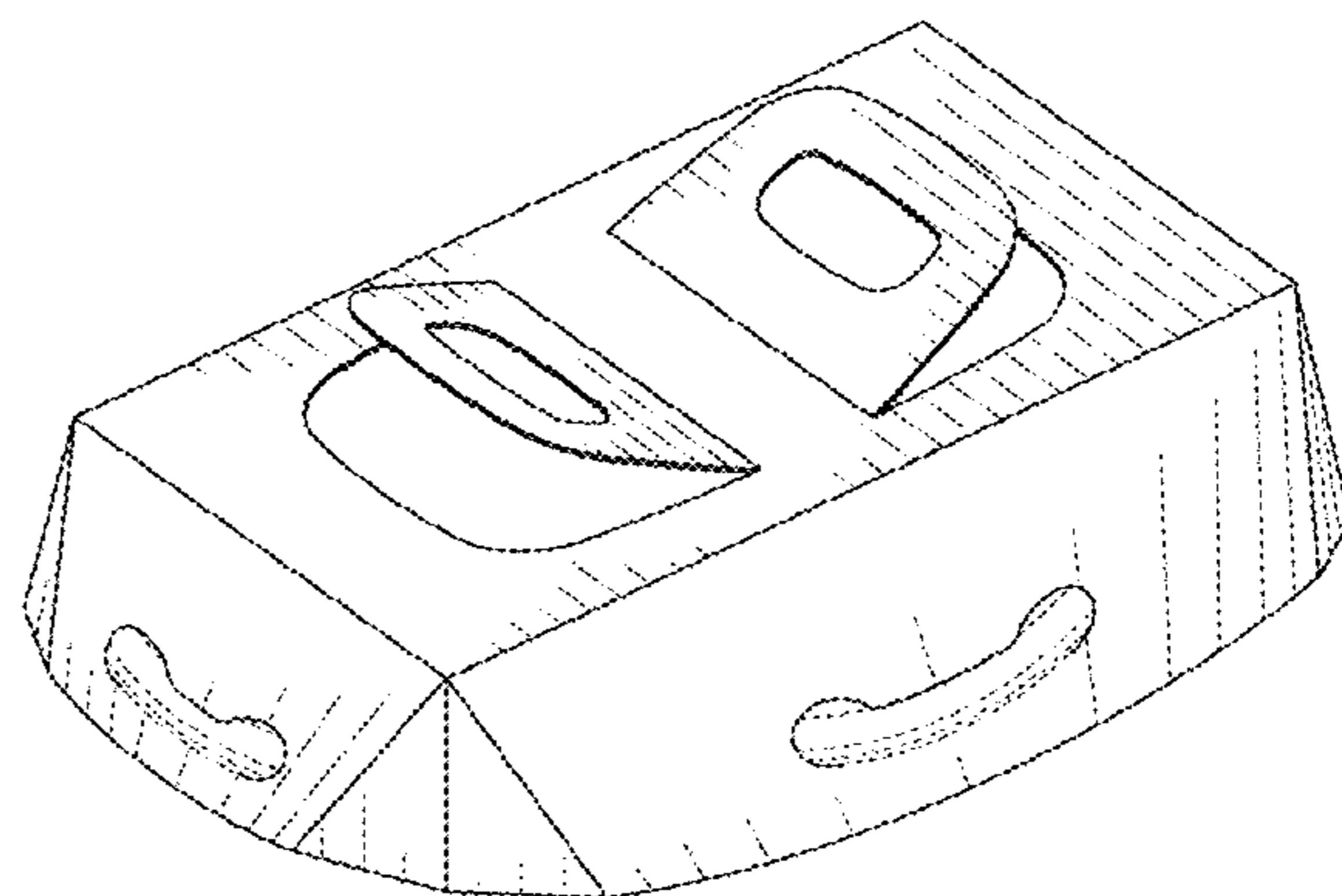
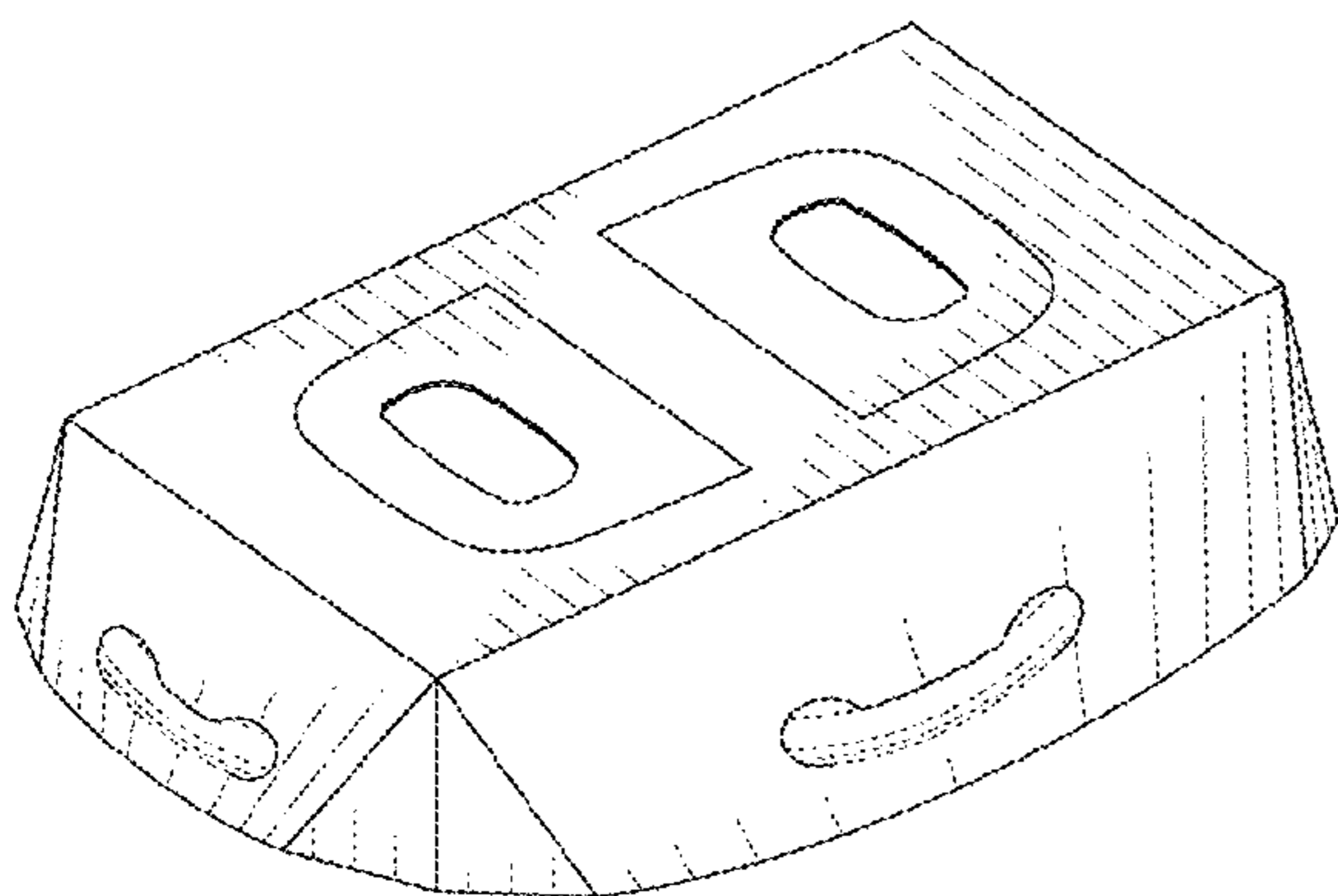
FIG. 1 is a perspective view of a cover for a container. FIG. 2 is a front elevation view of the cover of FIG. 1, the rear elevation view is identical. FIG. 3 is a left elevation view of the cover of FIG. 1, the right elevation view is identical. FIG. 4 is a top plan view of the cover of FIG. 1. FIG. 5 is a bottom plan view of the cover of FIG. 1. FIG. 6 is a perspective view of the cover of FIG. 1 having handle flaps in a raised position; and, FIG. 7 is a plan view of the cover of FIG. 1 shown in an unfolded configuration. All evenly-spaced broken lines are for environmental purposes only and do not form part of the claimed design.

1 Claim, 5 Drawing Sheets

(56) **References Cited**

U.S. PATENT DOCUMENTS

- | | | | |
|---------------|---------|---------------|--------------------------|
| 1,335,296 A | 3/1920 | Postal et al. | |
| D65,395 S * | 8/1924 | Connor | D9/434 |
| D80,092 S * | 12/1929 | Schleicher | D9/431 |
| D101,850 S * | 11/1936 | Bowen | D28/83 |
| 2,091,664 A * | 8/1937 | Walsh | B65D 85/327
206/521.8 |
| 2,823,063 A | 2/1958 | Toensmeier | |
| 2,844,245 A | 7/1958 | Gruber et al. | |
| 2,919,844 A | 1/1960 | Anderson, Jr. | |
| 3,016,259 A | 1/1962 | Lawrence | |



(56)

References Cited

U.S. PATENT DOCUMENTS

3,245,711 A 4/1966 Dantoin
 3,414,313 A 12/1968 Schwarz
 D220,169 S * 3/1971 Lundberg D9/449
 3,616,897 A 11/1971 Vrana
 3,661,417 A 5/1972 Inman
 3,675,764 A 7/1972 Dutcher
 3,701,416 A 10/1972 Lawrence
 3,756,394 A 9/1973 Huault
 D241,820 S * 10/1976 Jewell D9/423
 4,139,094 A 2/1979 Berry et al.
 4,192,540 A 3/1980 Oliff
 4,272,010 A 6/1981 Capo
 D261,235 S * 10/1981 McMullan D9/434
 4,336,898 A 6/1982 Joyce
 D271,944 S * 12/1983 Wood D9/416
 4,449,744 A 5/1984 Vossen
 4,621,734 A 11/1986 Heijnen et al.
 4,768,703 A 9/1988 Sosler et al.
 5,058,735 A 10/1991 Bienaime
 D321,456 S * 11/1991 Wolff D7/391
 D322,571 S * 12/1991 Groves D9/423
 5,103,971 A 4/1992 Schuster
 5,135,104 A 8/1992 Jorba
 5,163,548 A 11/1992 Domansky
 D334,498 S * 4/1993 Romme D6/515
 5,201,412 A 4/1993 Schuster et al.
 D340,411 S * 10/1993 Ong D9/433
 5,351,815 A 10/1994 Fogle et al.
 5,355,999 A 10/1994 Sutherland
 5,364,333 A 11/1994 Gulliver et al.
 5,415,278 A 5/1995 Sutherland
 D394,385 S * 5/1998 Laughlin D9/431

D408,282 S * 4/1999 McCann D9/423
 5,921,392 A 7/1999 Davis
 D434,256 S * 11/2000 Shimbo D6/515
 6,223,892 B1 5/2001 Bakx
 6,378,697 B1 4/2002 Sutherland et al.
 6,422,453 B1 7/2002 Wang
 6,488,322 B2 12/2002 Bakx
 D470,412 S * 2/2003 Palmer-Ball D9/435
 6,869,009 B2 3/2005 Sutherland et al.
 D525,866 S 8/2006 Oliveira
 D532,690 S 11/2006 Oliveira
 7,617,969 B2 11/2009 Oliveira
 D608,637 S * 1/2010 Getsy D9/434
 7,703,665 B2 4/2010 McGowan
 7,766,181 B2 8/2010 Fogle et al.
 7,793,821 B2 9/2010 Oliveira
 8,002,171 B2 8/2011 Ryan et al.
 8,162,135 B2 4/2012 Oliveira
 D659,551 S * 5/2012 Ramirez D9/757
 8,225,985 B2 7/2012 Oliveira
 D678,761 S * 3/2013 Cooper D9/418
 D693,217 S * 11/2013 Sill D9/418
 D758,191 S * 6/2016 Tu D9/414
 9,598,202 B2 3/2017 Oliveira et al.
 D787,929 S * 5/2017 Sill D9/418
 D787,933 S * 5/2017 Sill D9/418

FOREIGN PATENT DOCUMENTS

EP 0 108 614 1/1987
 EP 0 406 556 1/1991
 WO WO 93/14993 8/1993
 WO WO 02/059011 8/2002

* cited by examiner

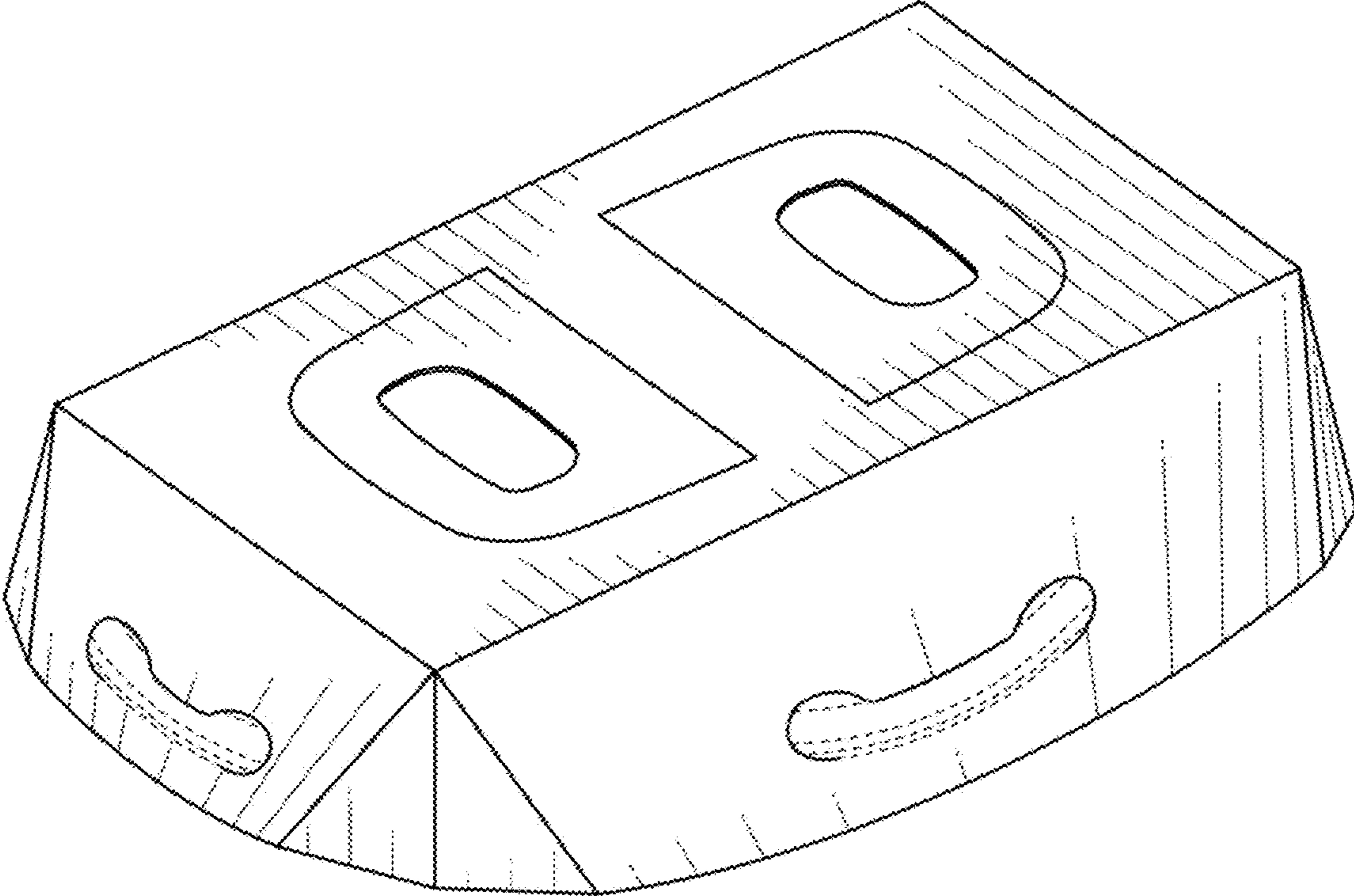


FIG. 1

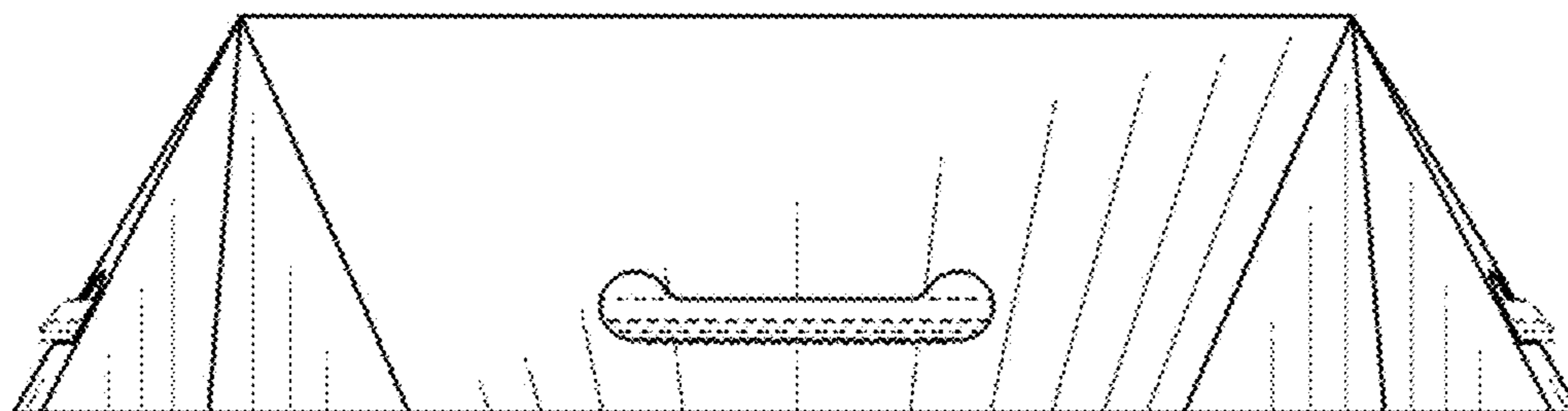


FIG. 2

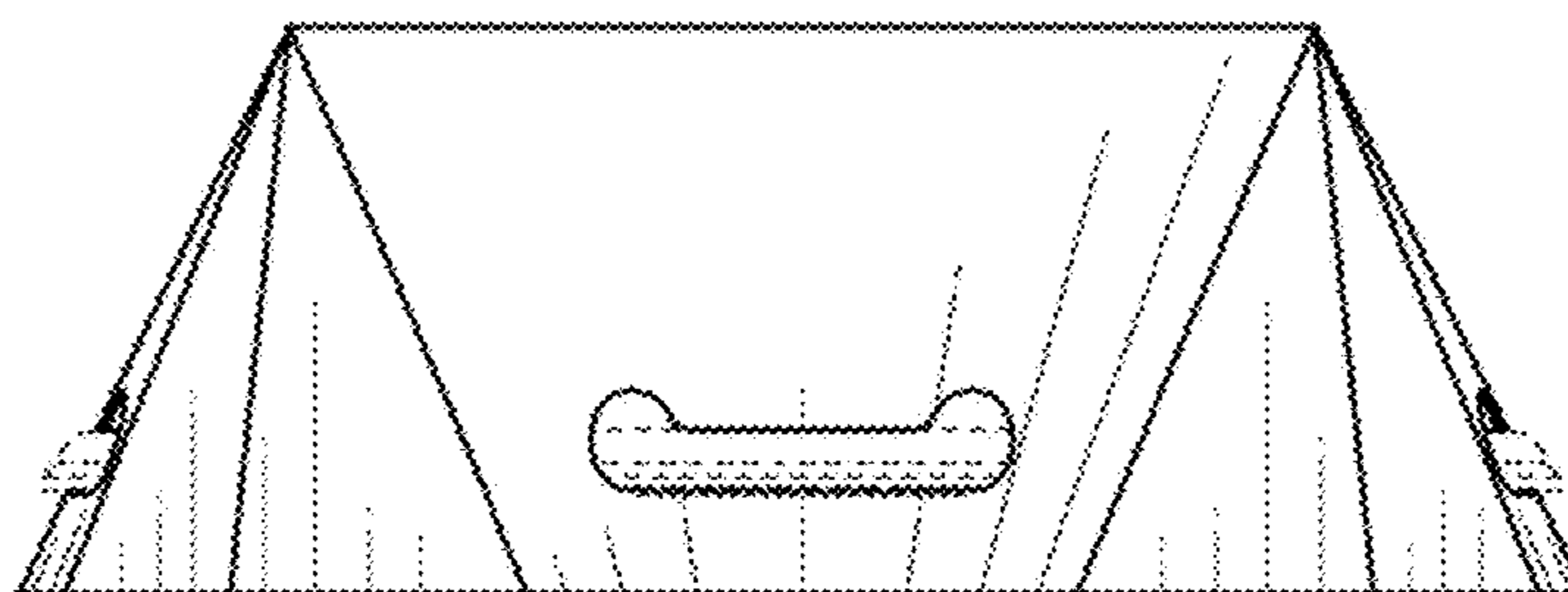


FIG. 3

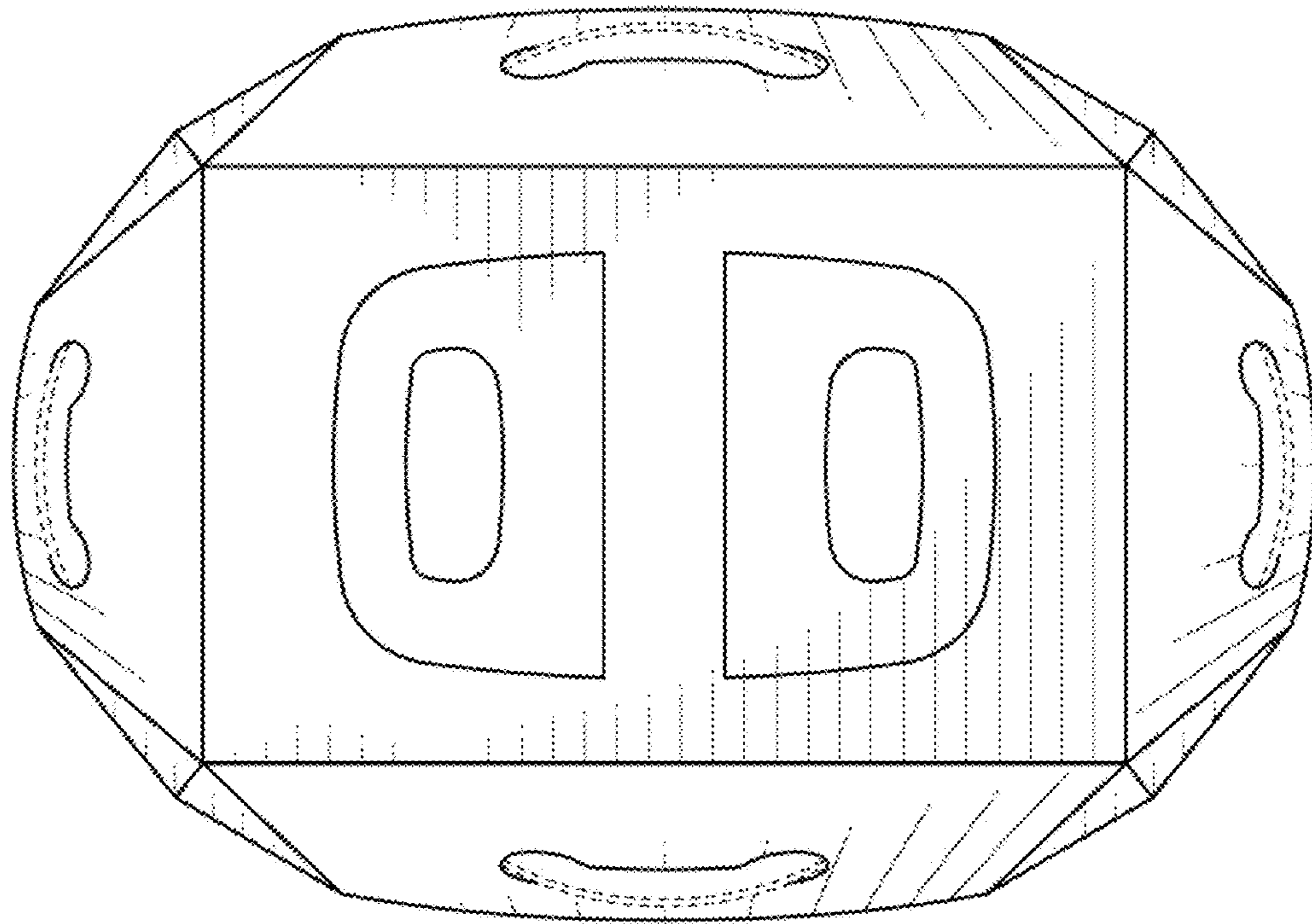


FIG. 4

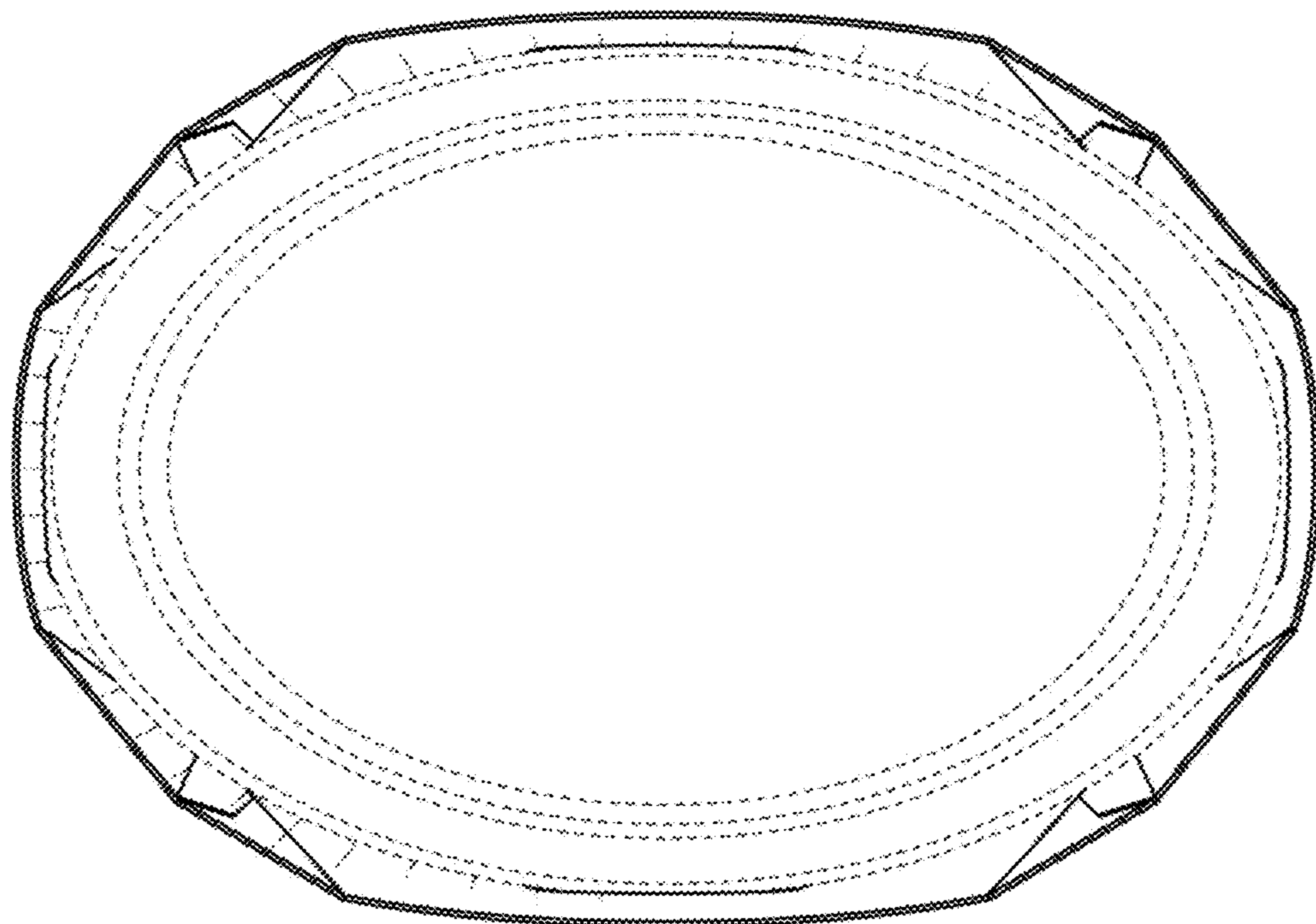


FIG. 5

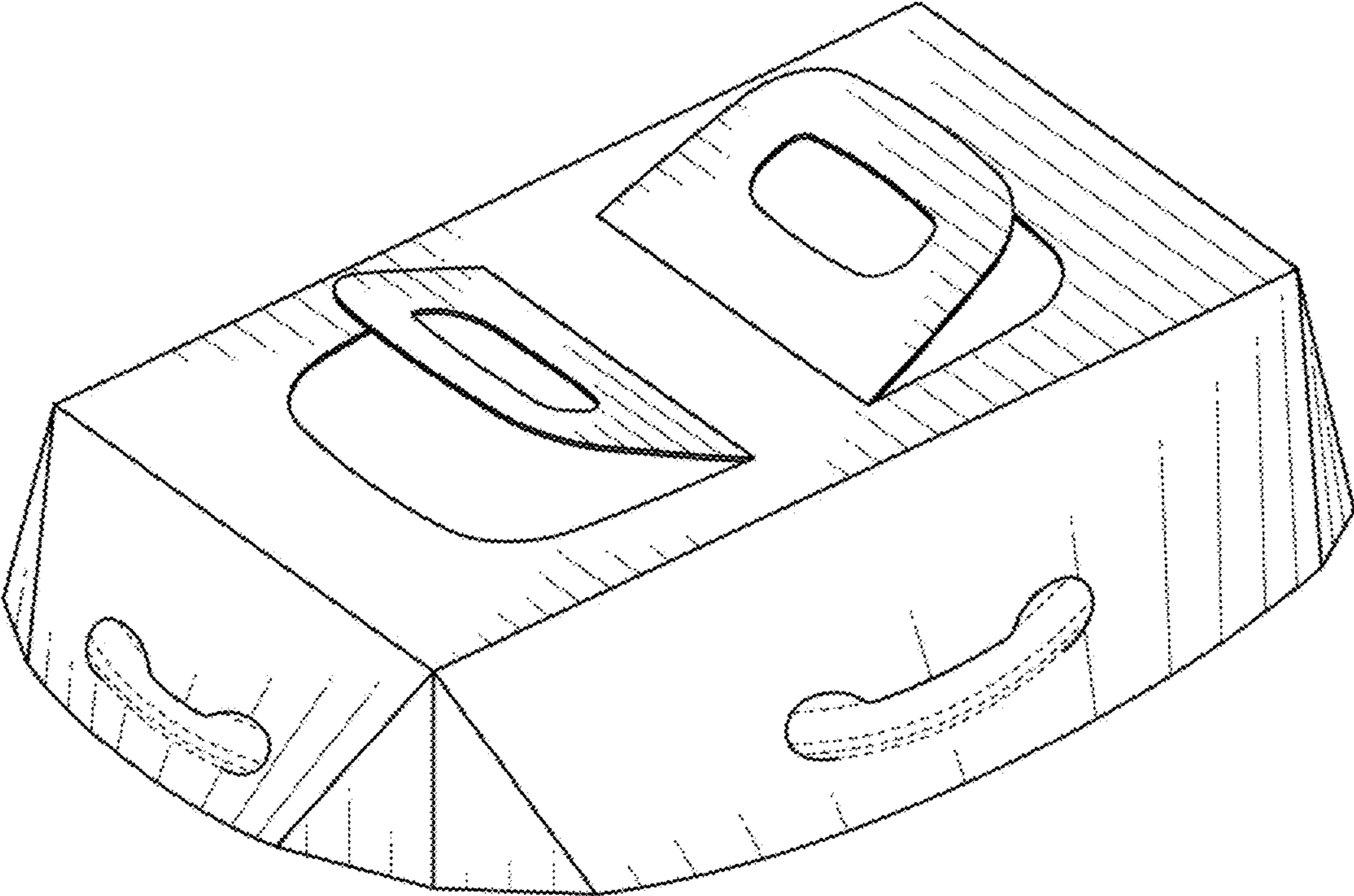


FIG. 6

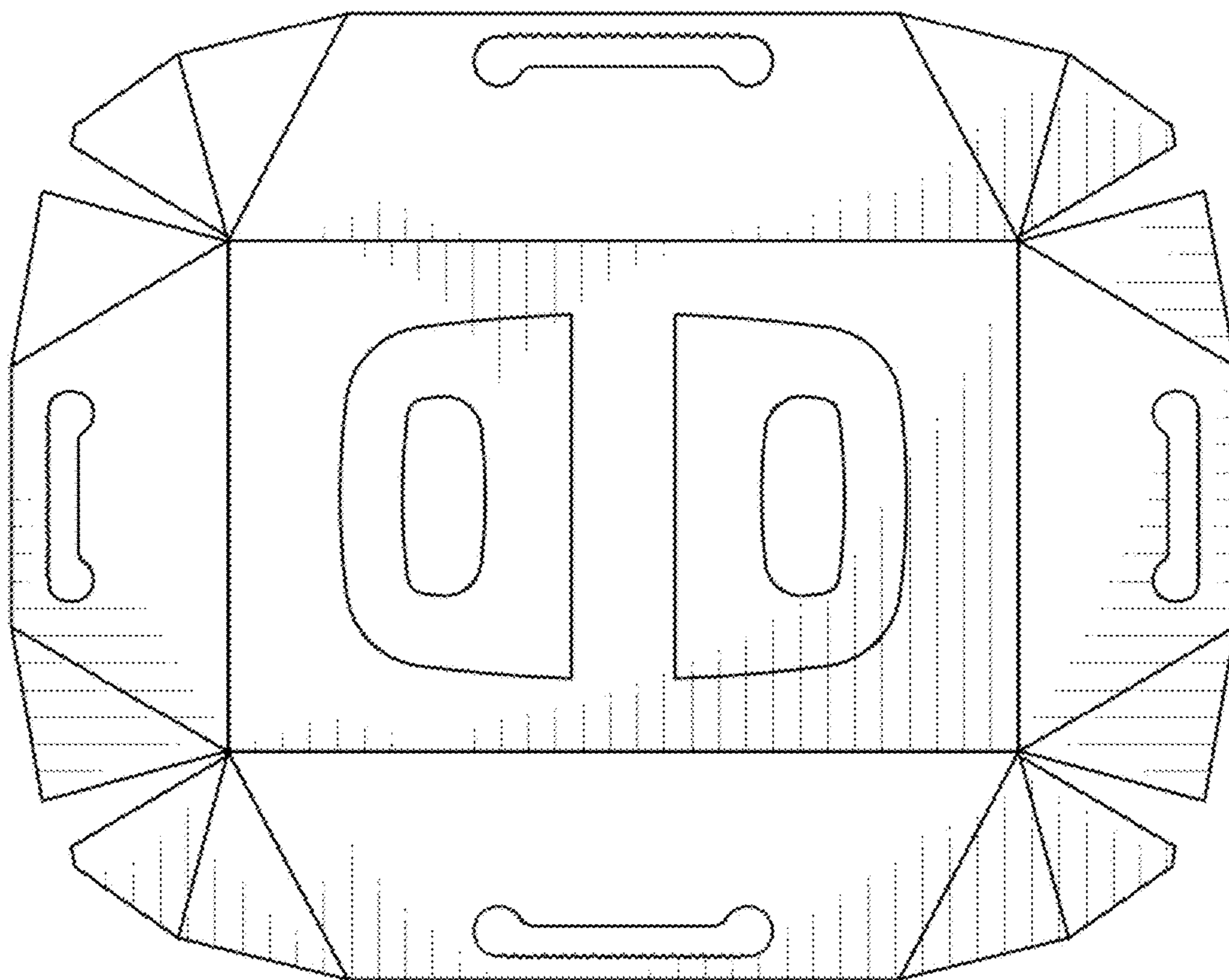


FIG. 7