



US00D839728S

(12) **United States Design Patent**
Rees et al.

(10) **Patent No.:** **US D839,728 S**

(45) **Date of Patent:** **** Feb. 5, 2019**

- (54) **STOPPER**
- (71) Applicant: **DWK Life Sciences GmbH,**
Wertheim/Main (DE)
- (72) Inventors: **Alistair Rees,** Mainz (DE); **Matthias Schneider,** Heidesheim (DE)
- (73) Assignee: **DWK LIFE SCIENCES GMBH,**
Wertheim/Main (DE)

D357,200 S *	4/1995	Thomas	D10/103
5,484,566 A *	1/1996	Gabbard	B29C 43/146
				264/250
D372,960 S *	8/1996	Allmon	D23/260
D422,357 S *	4/2000	Niedospial, Jr.	D24/118
D518,373 S *	4/2006	Schulthess	D9/434
D617,427 S *	6/2010	McNamara	D23/261
D664,632 S *	7/2012	Moe	D23/260
D682,097 S *	5/2013	Chiorazzi	D9/439
D686,339 S *	7/2013	Shima	D24/224
D708,945 S *	7/2014	Jetmar	D9/439
2011/0277229 A1 *	11/2011	Connor	E03F 5/0407
				4/293

(**) Term: **15 Years**

(21) Appl. No.: **29/632,038**

(22) Filed: **Jan. 4, 2018**

(30) **Foreign Application Priority Data**

- Jul. 4, 2017 (EM) 004085884-0001
- Jul. 4, 2017 (EM) 004085884-0002
- Jul. 4, 2017 (EM) 004085884-0003

(51) **LOC (11) Cl.** **09-07**

(52) **U.S. Cl.**
USPC **D9/439; D23/260**

(58) **Field of Classification Search**
USPC D23/259, 260-261; 4/286-294, 300.1;
D9/439-440, 434-436; D24/118, 121,
D24/129, 223-225
CPC . E03C 1/26; E03C 1/126; E03C 1/262; E03C
1/28; E03C 1/23; E03C 1/24; E03C
1/264; B65D 39/00
See application file for complete search history.

(56) **References Cited**

U.S. PATENT DOCUMENTS

- D289,796 S * 5/1987 Larkin D24/224
- D349,648 S * 8/1994 Tirrell D9/439

* cited by examiner

Primary Examiner — Eric L Goodman
Assistant Examiner — Amy C Wierenga
(74) *Attorney, Agent, or Firm* — Hodgson Russ LLP

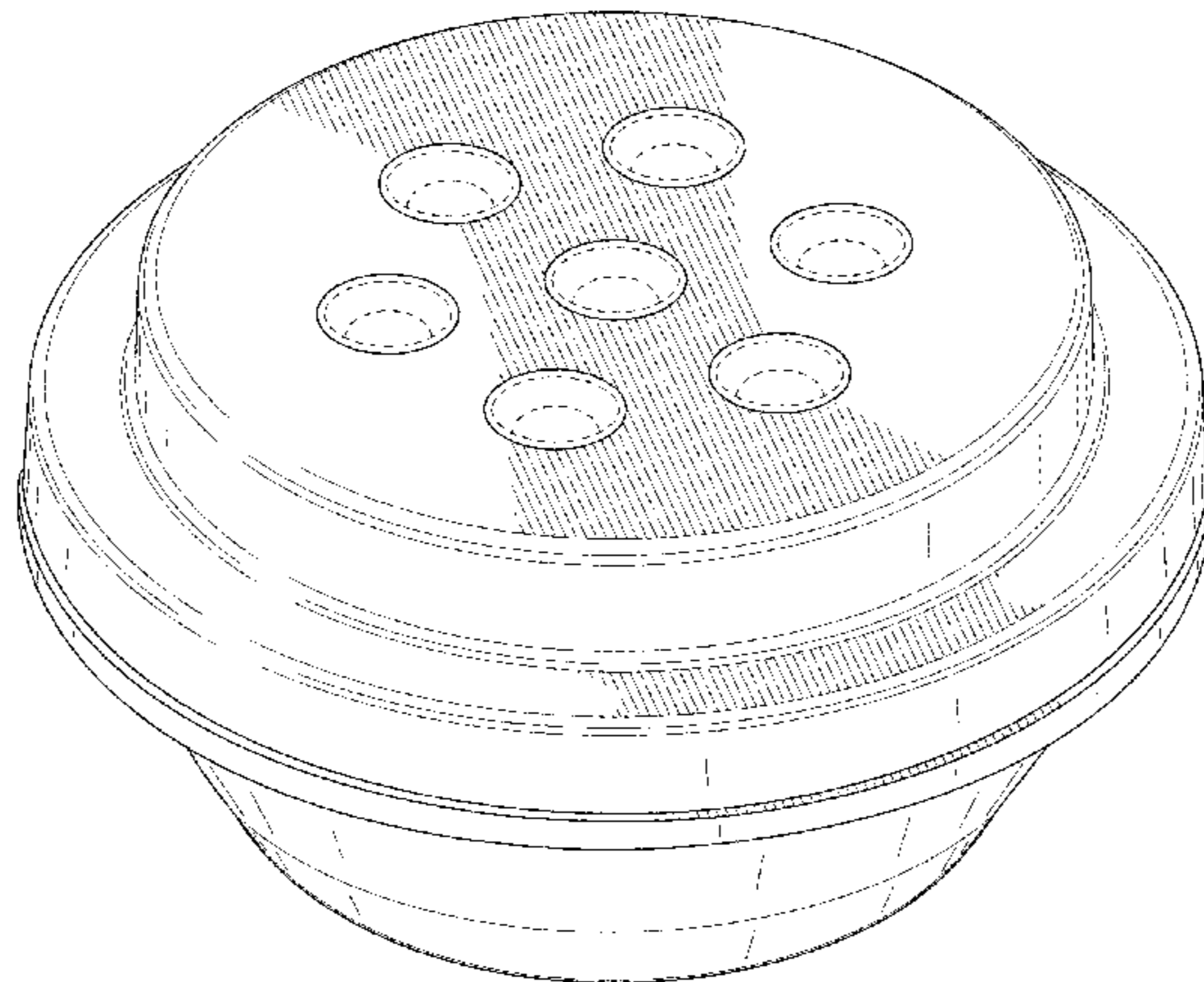
(57) **CLAIM**

The ornamental design for a stopper, as shown and described.

DESCRIPTION

FIG. 1 is a top elevation view of a stopper;
FIG. 2 is a bottom elevation view thereof;
FIG. 3 is a top plan view thereof;
FIG. 4 is a bottom plan view thereof; and,
FIG. 5 is front elevation view thereof, the right side, left side, and rear elevation views being identical thereto.
The broken lines in the figures illustrating portions of the stopper represent unclaimed features that form no part of the claimed design.

1 Claim, 5 Drawing Sheets



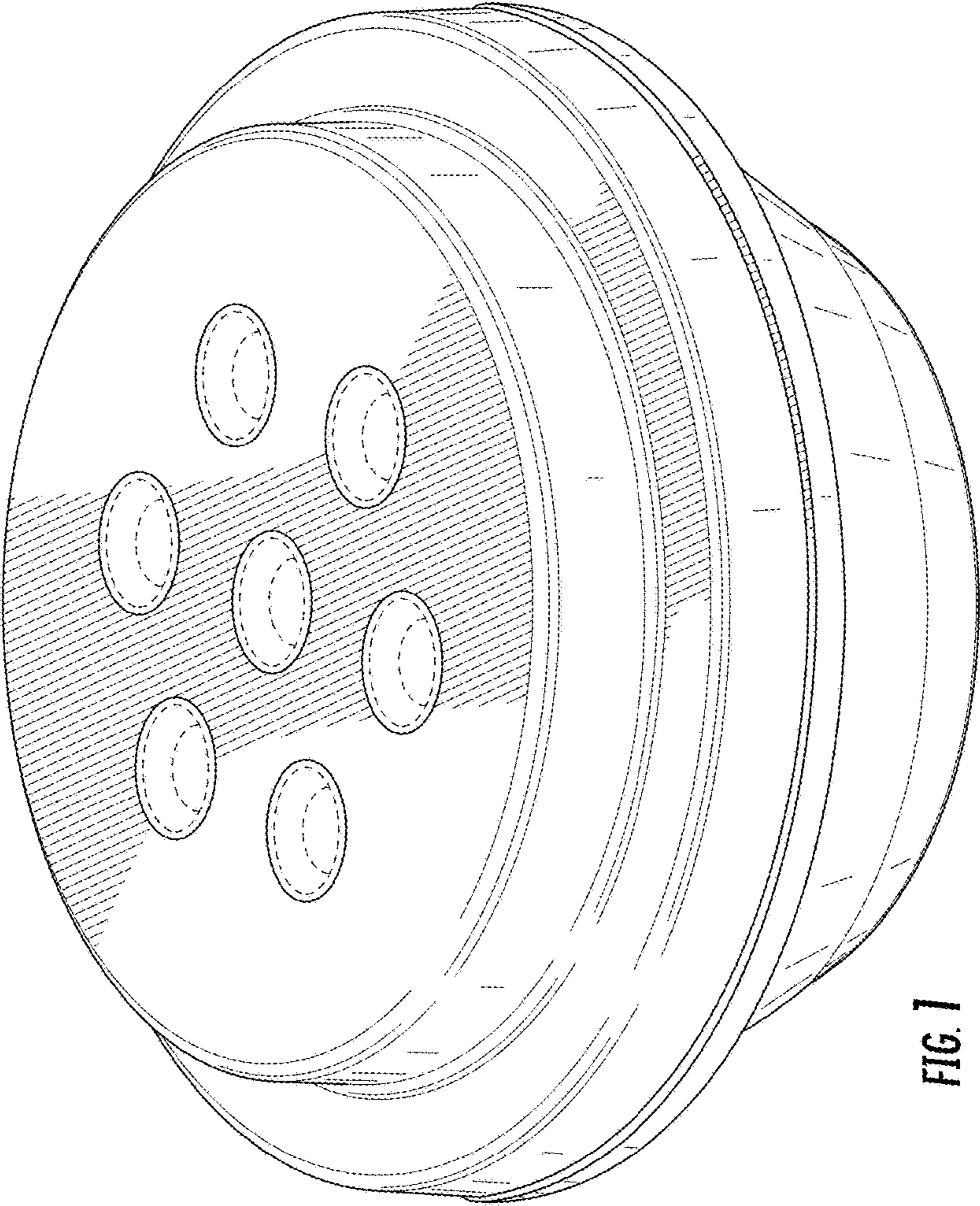


FIG. 1

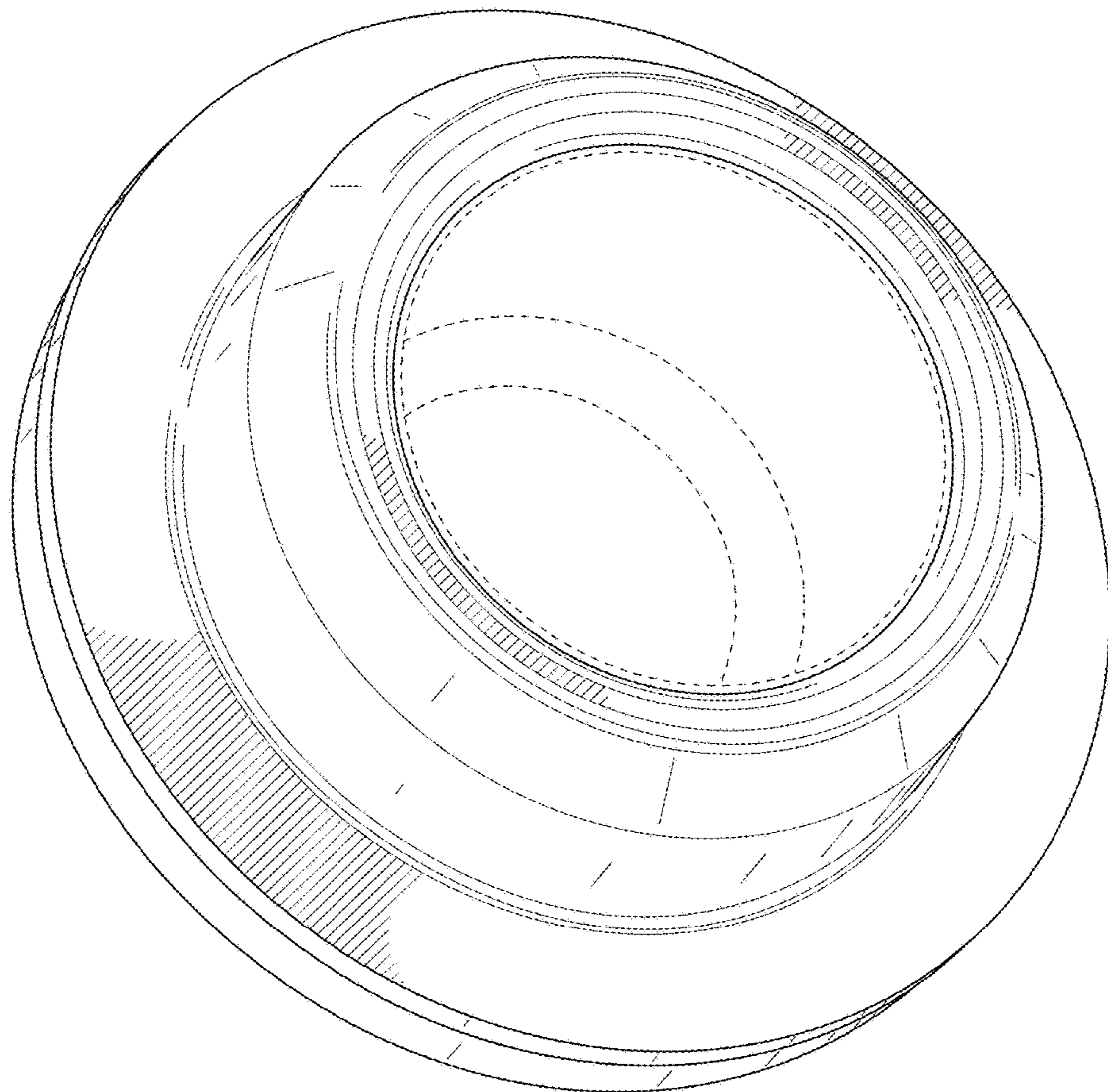


FIG. 2

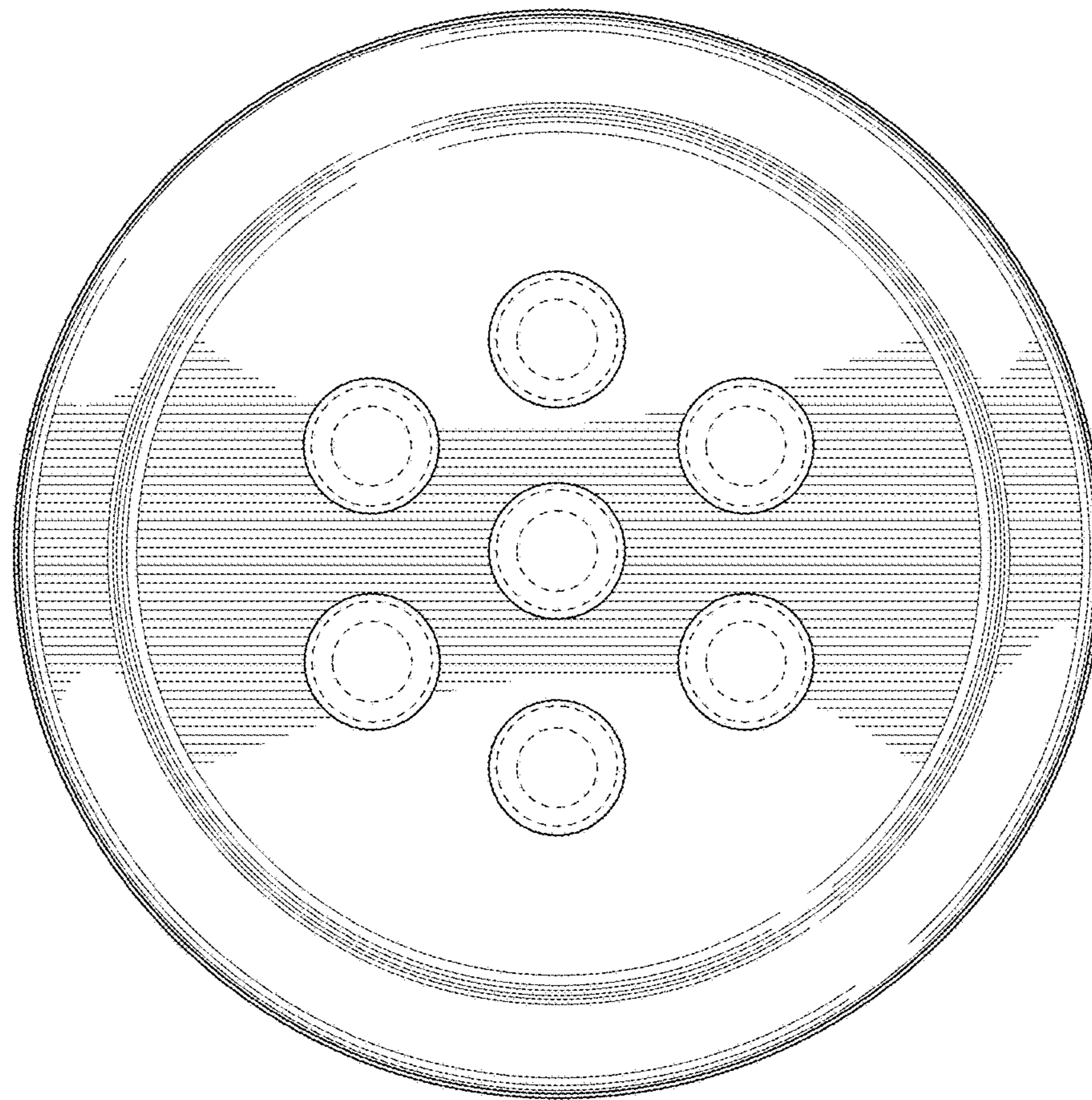


FIG. 3

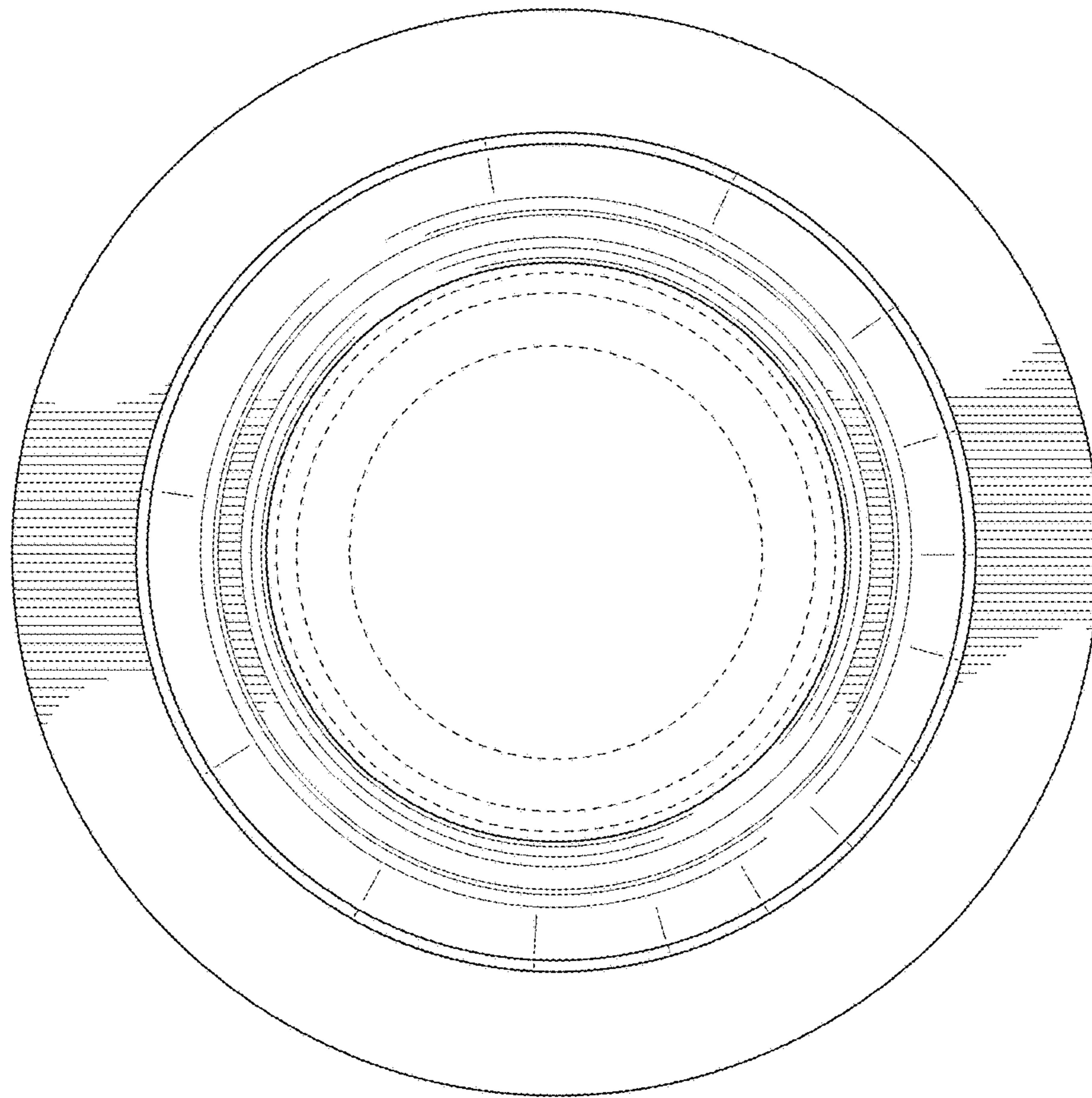


FIG. 4

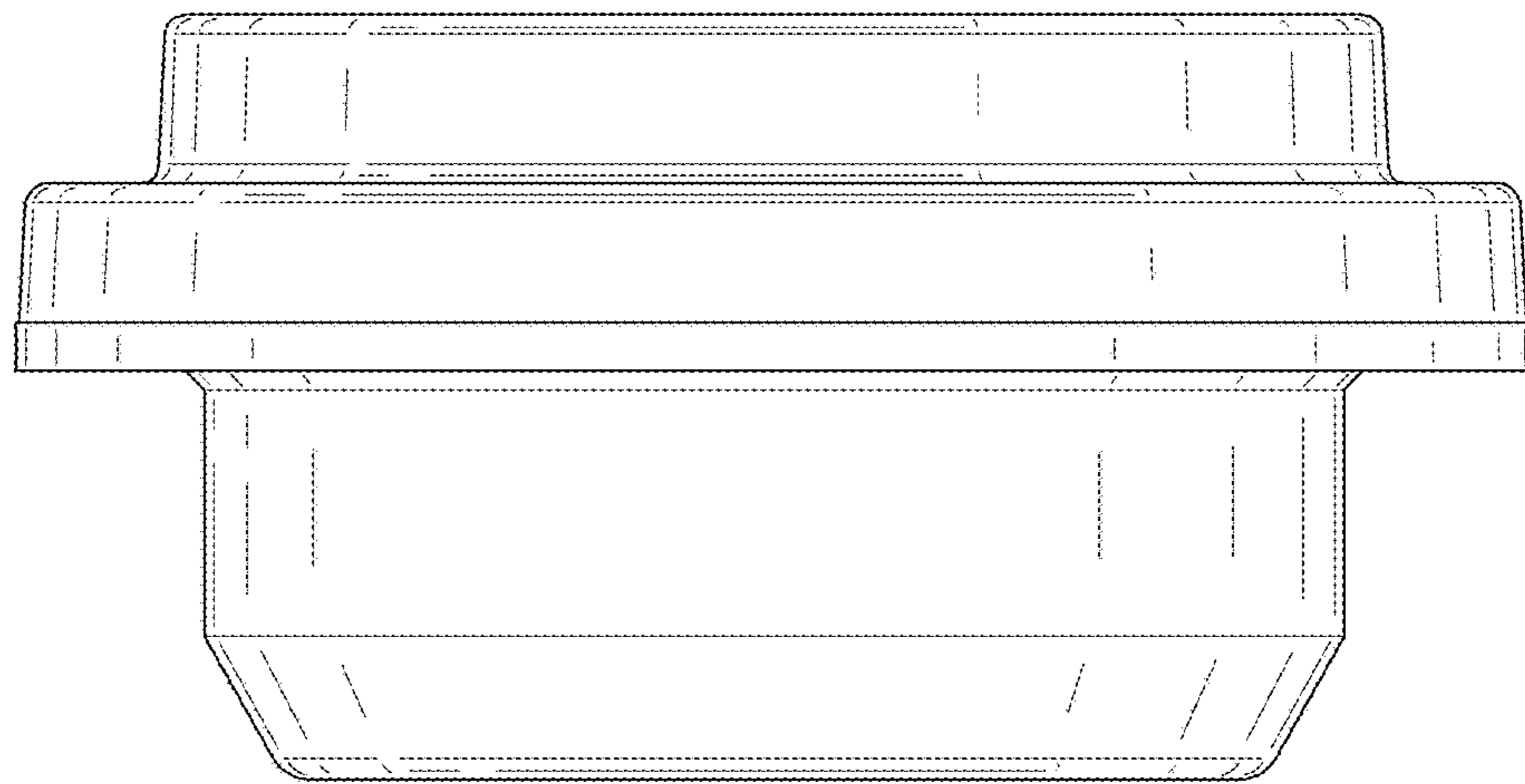


FIG. 5