



US00D839724S

(12) **United States Design Patent**
Chen et al.

(10) **Patent No.:** **US D839,724 S**

(45) **Date of Patent:** **** Feb. 5, 2019**

- (54) **BUNGEE CORD ADAPTER**
- (71) Applicant: **Spectrum Brands, Inc.**, Middleton, WI (US)
- (72) Inventors: **Andy Chen**, Xiamen (CN); **Elliott Schneider**, Foothill Ranch, CA (US)
- (73) Assignee: **Spectrum Brands, Inc.**, Middleton, WI (US)
- (**) Term: **15 Years**
- (21) Appl. No.: **29/623,199**
- (22) Filed: **Oct. 23, 2017**
- (51) **LOC (11) Cl.** **08-08**
- (52) **U.S. Cl.**
USPC **D8/383**
- (58) **Field of Classification Search**
USPC D8/383, 354, 356, 367; D11/212, 214
CPC A63B 21/0557; B62J 7/08; F16B 45/00;
Y10T 24/4755; Y10T 24/314; Y10T 24/316; Y10S 24/42
See application file for complete search history.

(56) **References Cited**

U.S. PATENT DOCUMENTS

3,058,184	A *	10/1962	Ritzheimer	B66C 1/14 24/115 R
3,779,494	A *	12/1973	Nicholson	F16L 5/00 174/153 G
D267,685	S *	1/1983	Vrignaud	D8/367
D342,013	S *	12/1993	Sachs	D8/356
6,131,969	A *	10/2000	Natkins	B65D 63/06 24/136 R
6,292,984	B1 *	9/2001	Nelson	B60P 7/0823 24/134 R
D468,623	S *	1/2003	Ohm	D6/513
D610,036	S *	2/2010	Balensiefer, II	D11/201
D625,986	S *	10/2010	Kolasa	D8/356
D633,371	S *	3/2011	Stevens	D8/356

D633,377	S *	3/2011	Chan	D8/383
D635,452	S *	4/2011	Jones	D8/383
7,987,802	B2 *	8/2011	Niedermair	B63B 21/20 114/218
D649,432	S *	11/2011	Main	D8/331
D649,433	S *	11/2011	Buckingham	D8/331
D726,526	S *	4/2015	Veilleux	D8/367
D822,466	S *	7/2018	Mangeri	D8/367
2004/0182527	A1 *	9/2004	Nien	E06B 9/326 160/178.2
2011/0225779	A1 *	9/2011	Jones	B60J 7/104 24/301
2011/0283486	A1 *	11/2011	Boonstra	F16G 11/06 24/265 H

(Continued)

Primary Examiner — Sandra S Snapp

Assistant Examiner — Ieisha N Price

(74) *Attorney, Agent, or Firm* — Banner & Witcoff, Ltd.

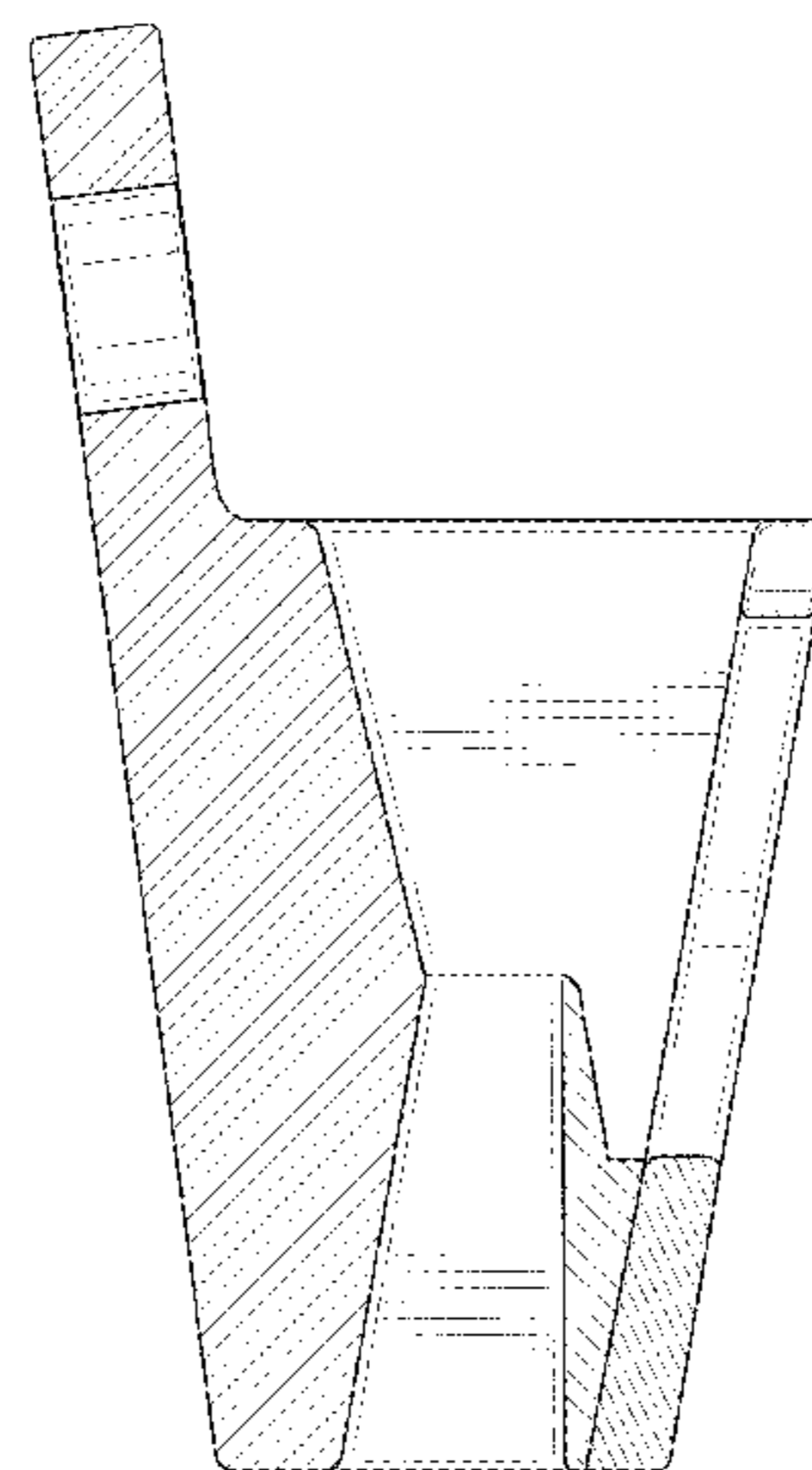
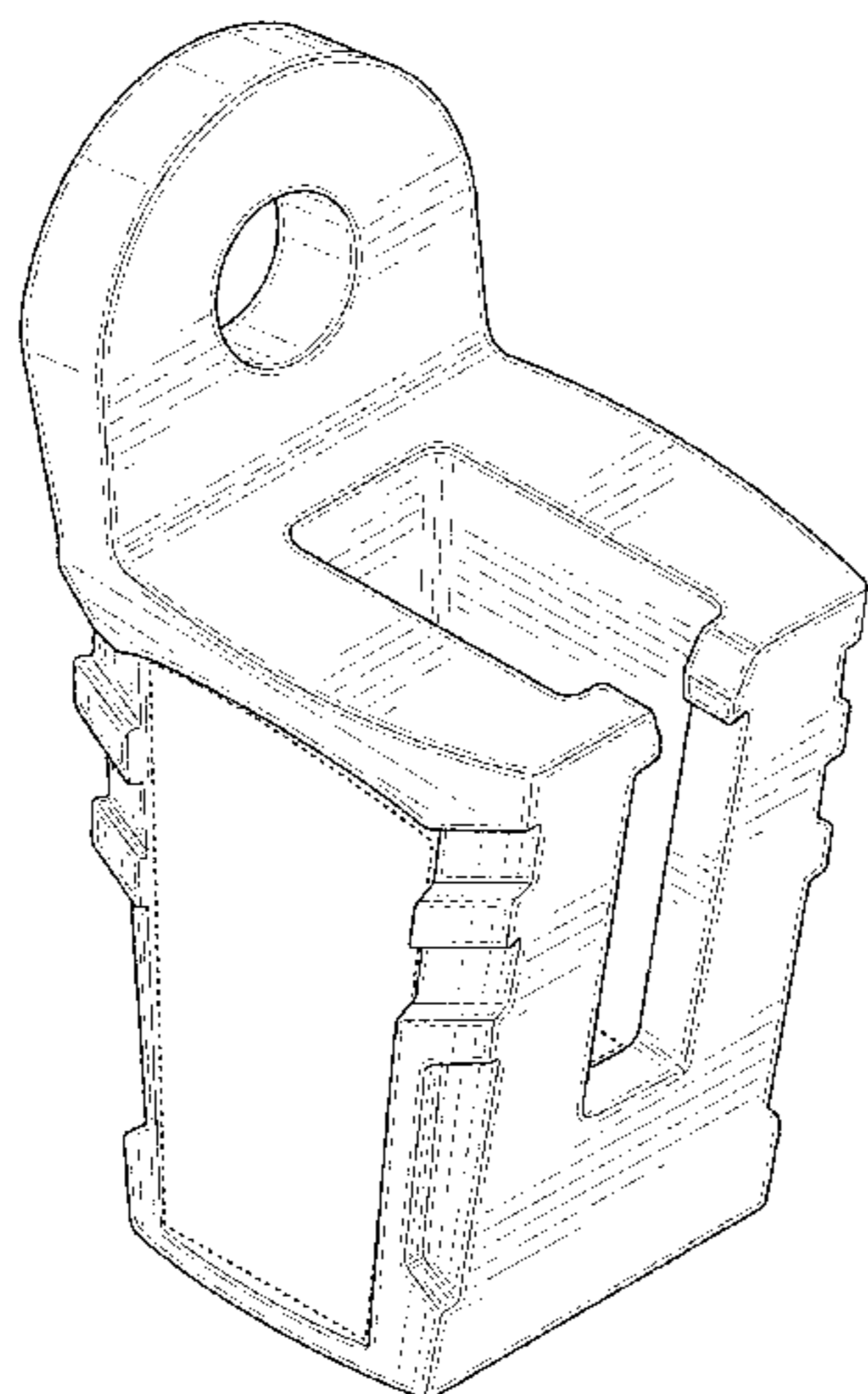
(57) **CLAIM**

The ornamental design for a bungee cord adapter, as shown and described.

DESCRIPTION

FIG. 1 is a front perspective view of a bungee cord adapter showing our new design;
 FIG. 2 is a right side view thereof;
 FIG. 3 is a left side view thereof;
 FIG. 4 is a front view thereof;
 FIG. 5 is a rear view thereof;
 FIG. 6 is a bottom view thereof;
 FIG. 7 is a top view thereof; and,
 FIG. 8 is a cross-section taken through line 8-8 of FIG. 2. The broken line showing of the various unshaded elements of the bungee cord adapter in FIGS. 1 and 4-8 represents unclaimed subject matter and forms no part of the claimed design. The unshaded regions within or adjacent to the shaded areas in FIGS. 6 and 7 form no part of the claimed design.

1 Claim, 8 Drawing Sheets



(56)

References Cited

U.S. PATENT DOCUMENTS

2013/0091673 A1* 4/2013 Raymond F16G 11/106
24/68 CD
2014/0283339 A1* 9/2014 Gallagher F16G 11/046
24/115 K
2014/0291471 A1* 10/2014 Dufresne F16B 45/02
248/499
2015/0068689 A1* 3/2015 Zhang E06B 9/384
160/178.2

* cited by examiner

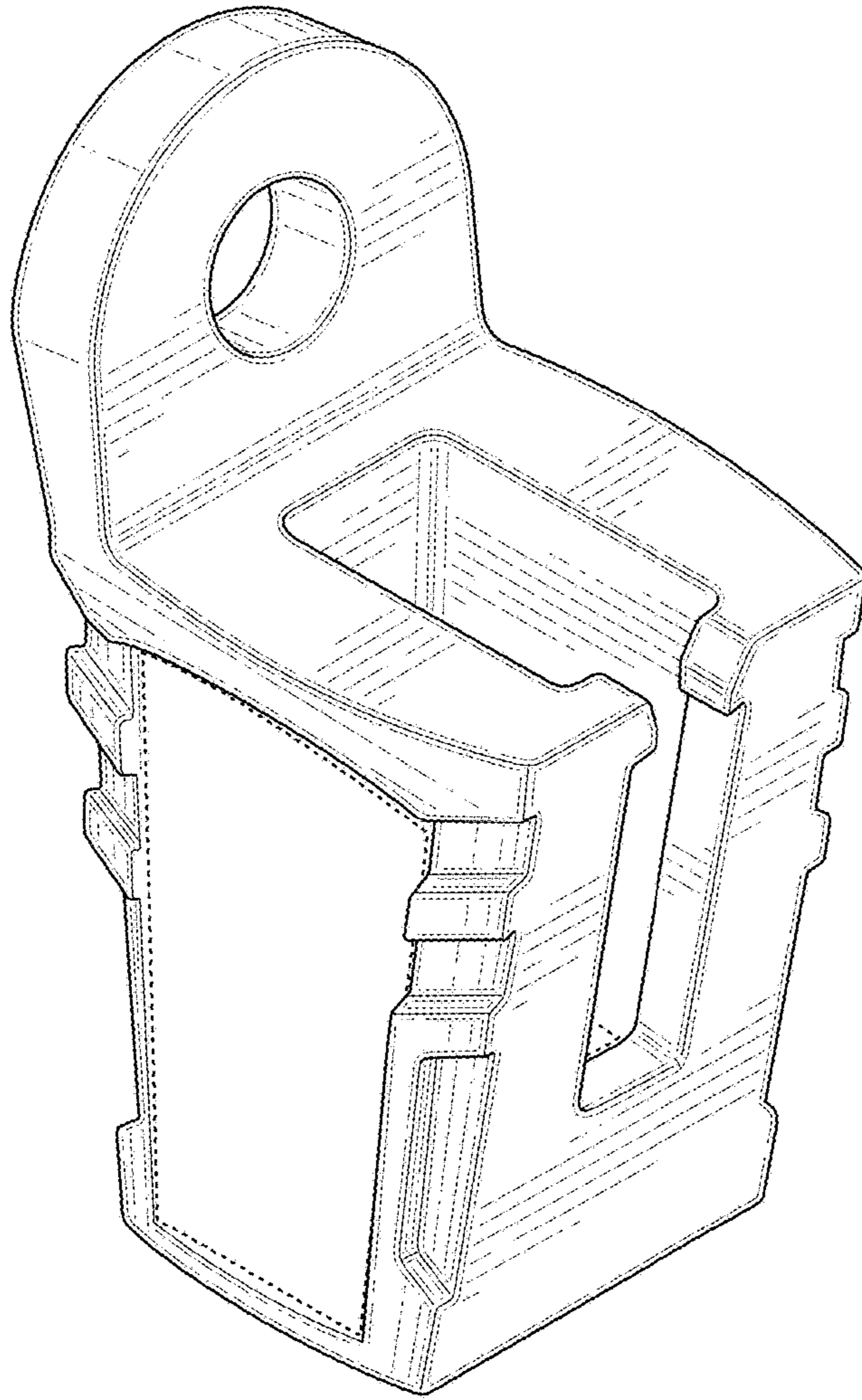


FIG. 1

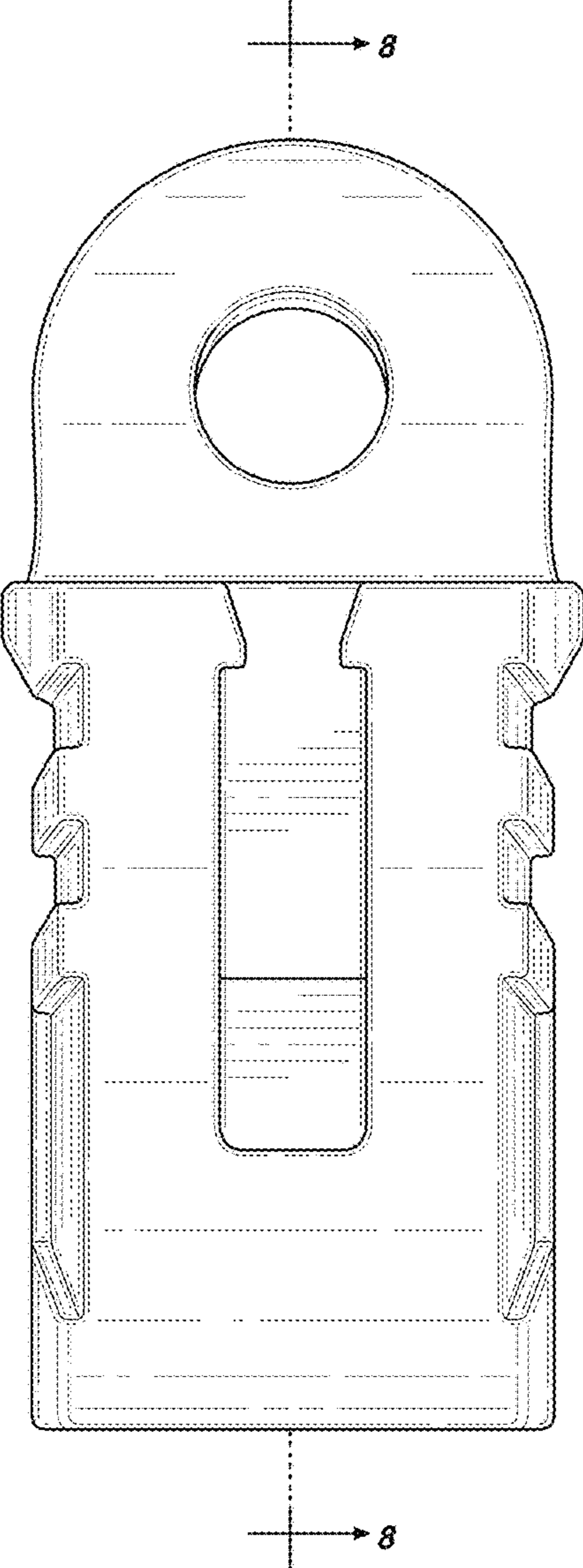


FIG. 2

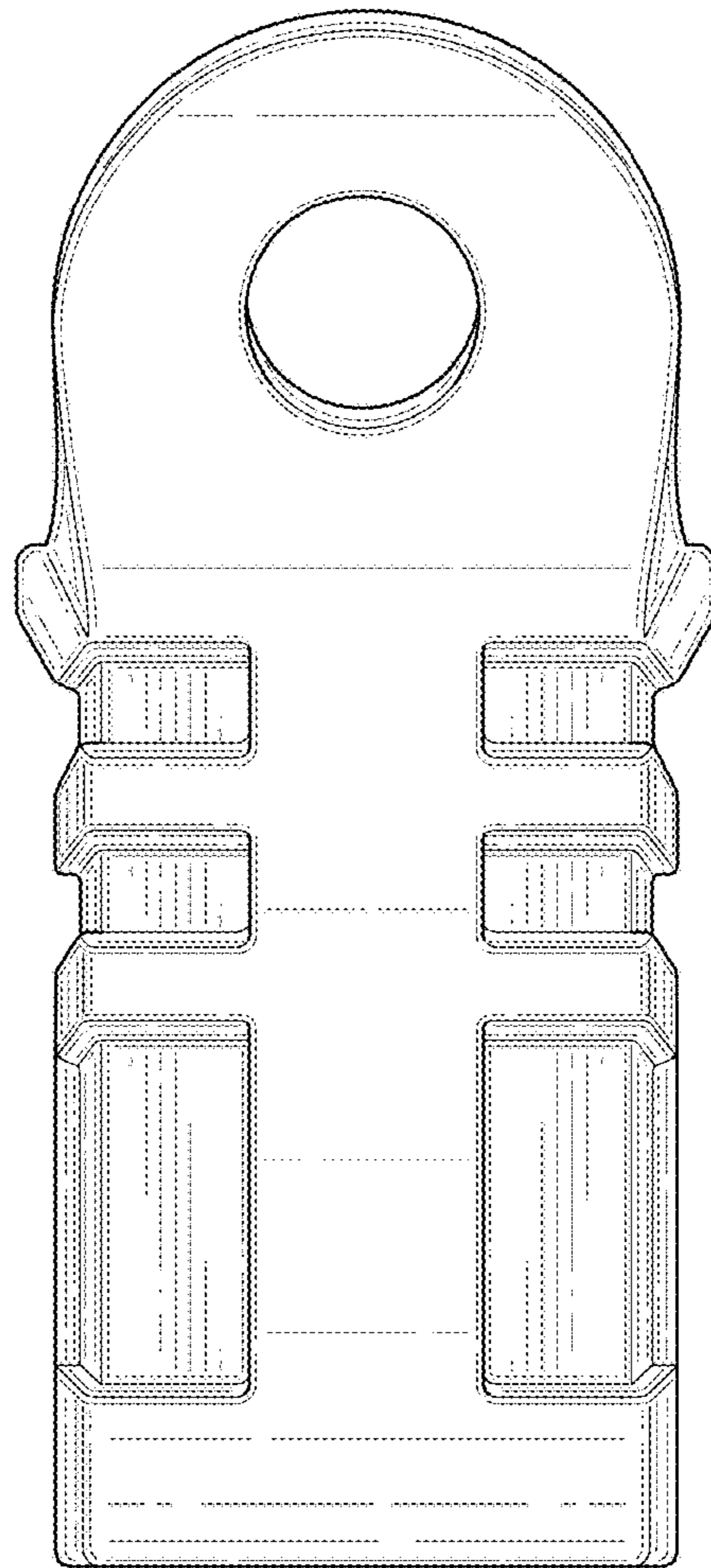


FIG. 3

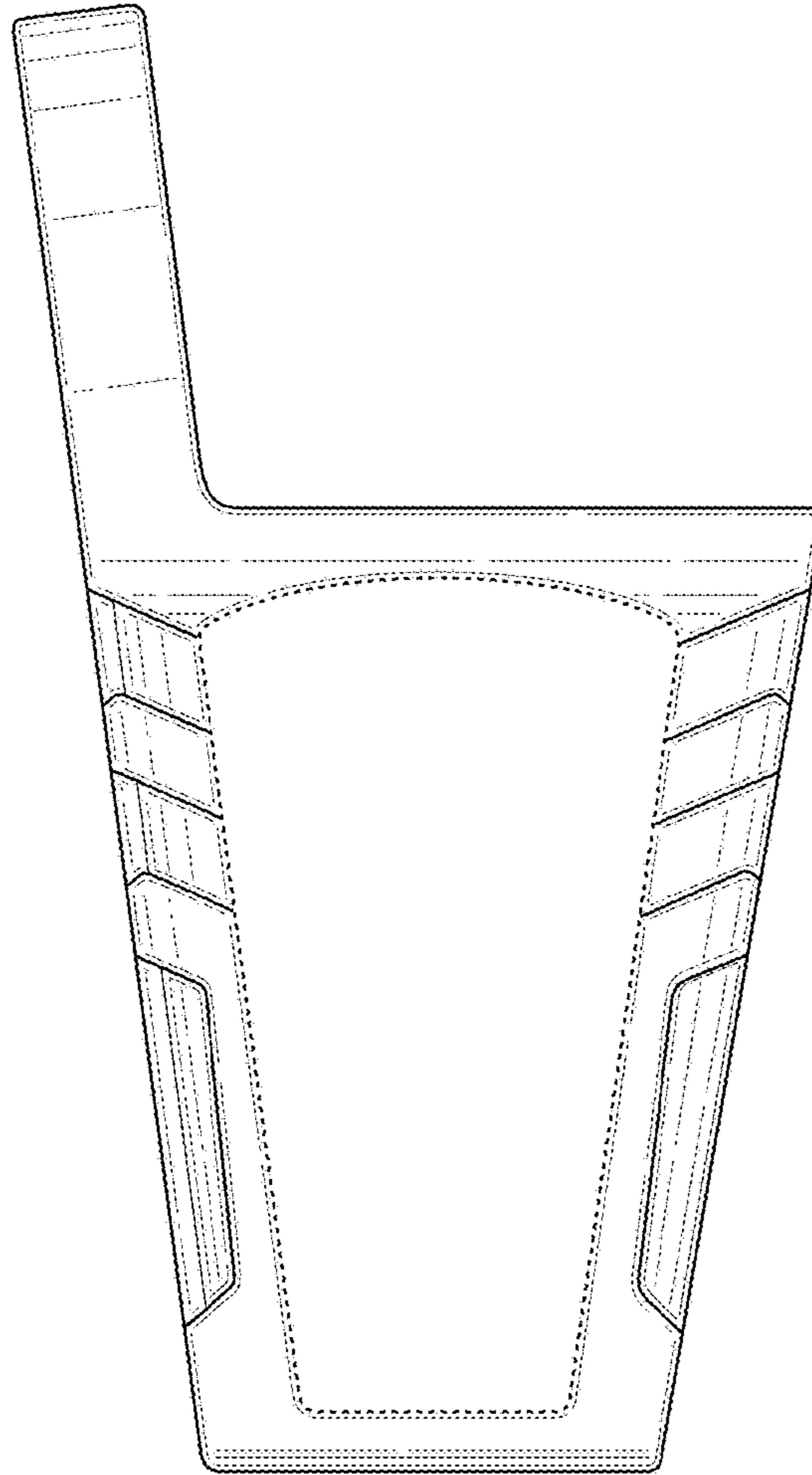


FIG. 4

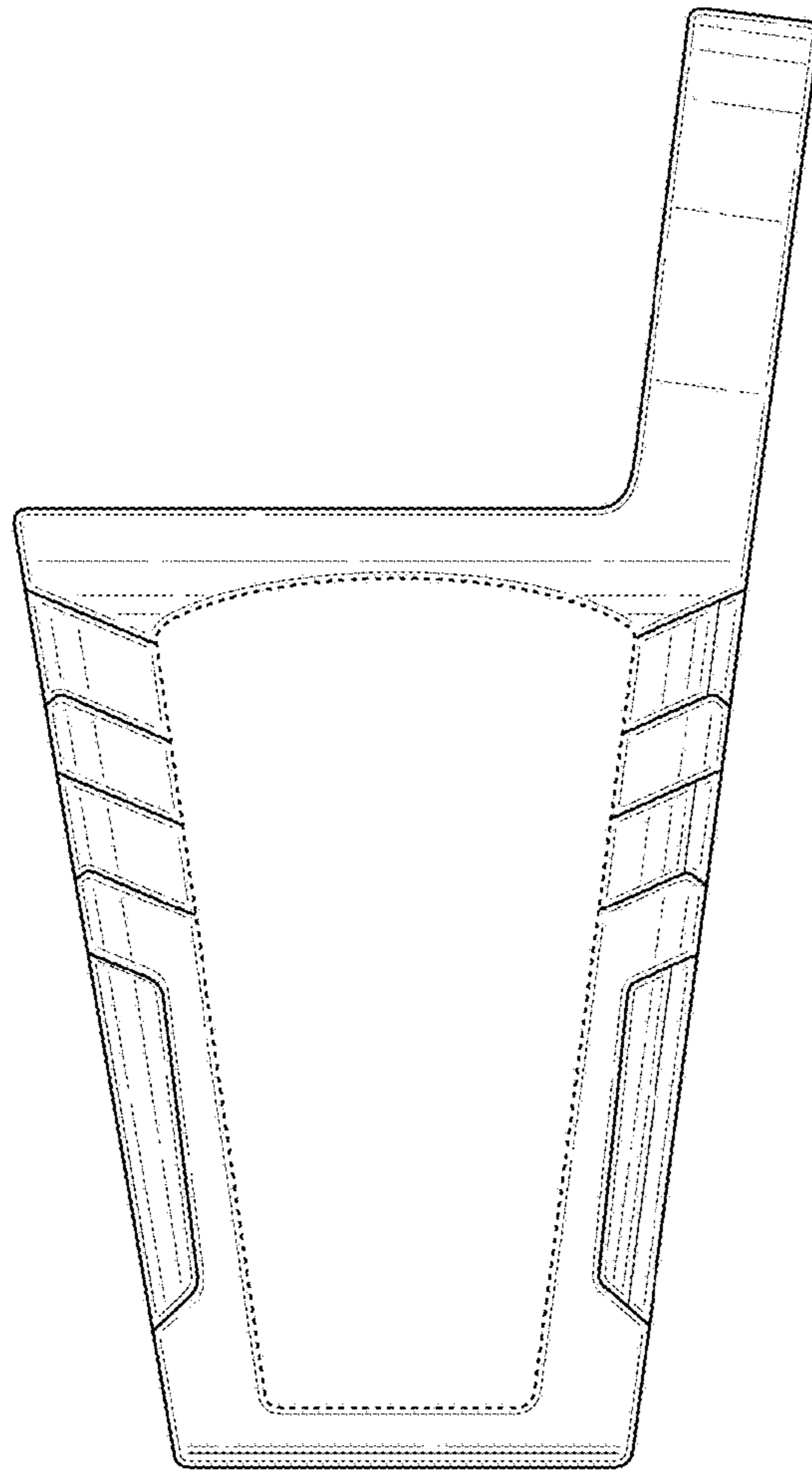


FIG. 5

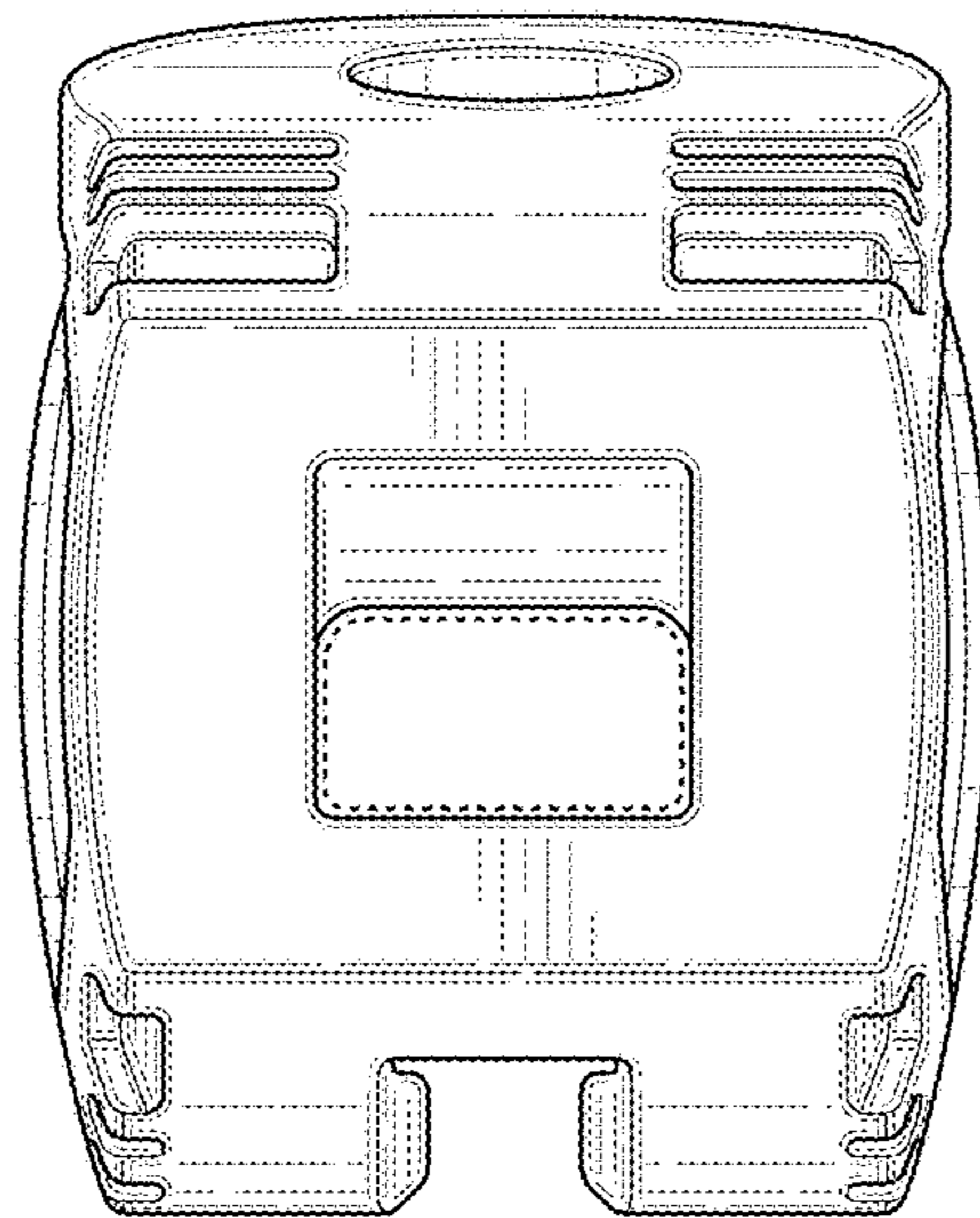


FIG. 6

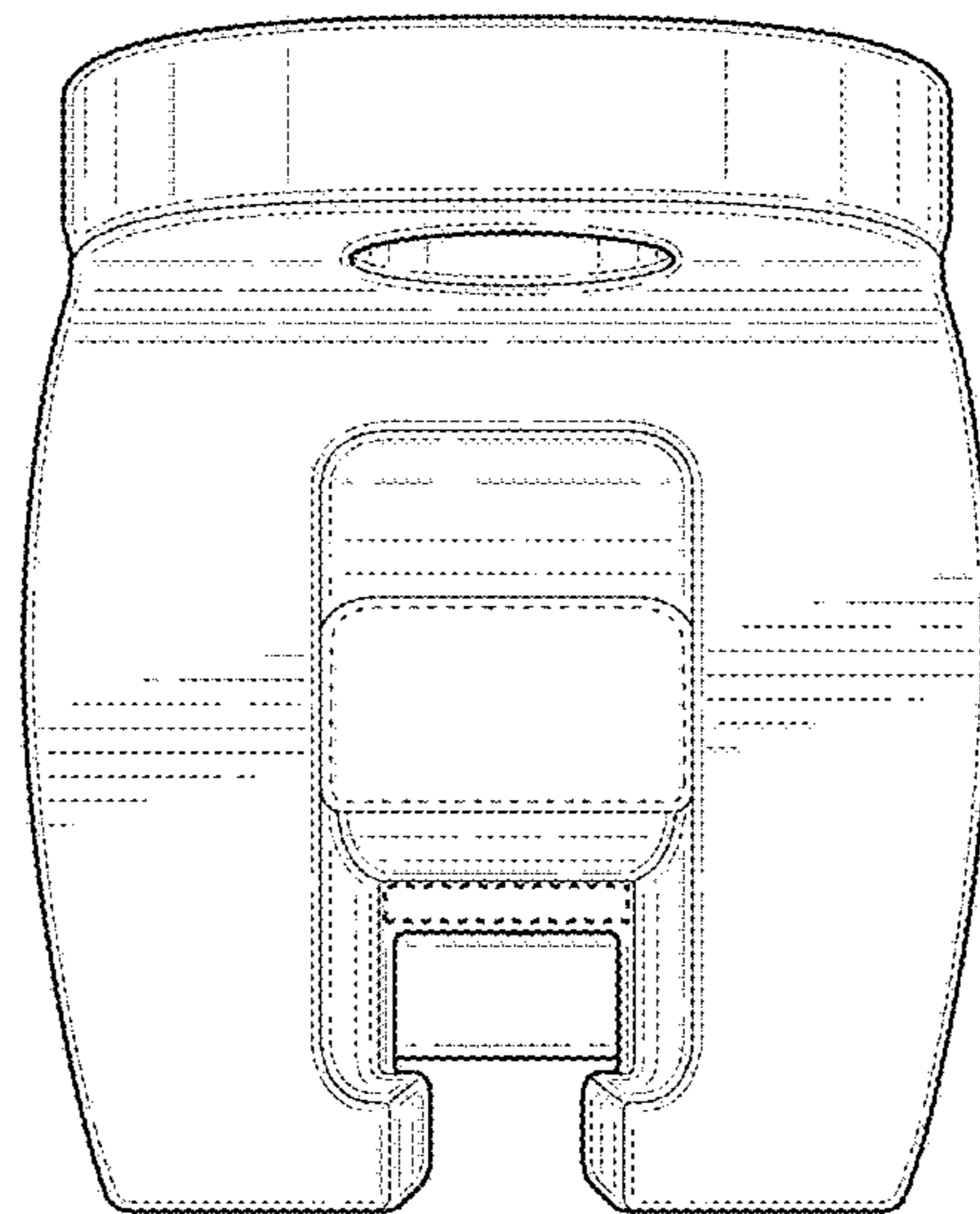


FIG. 7

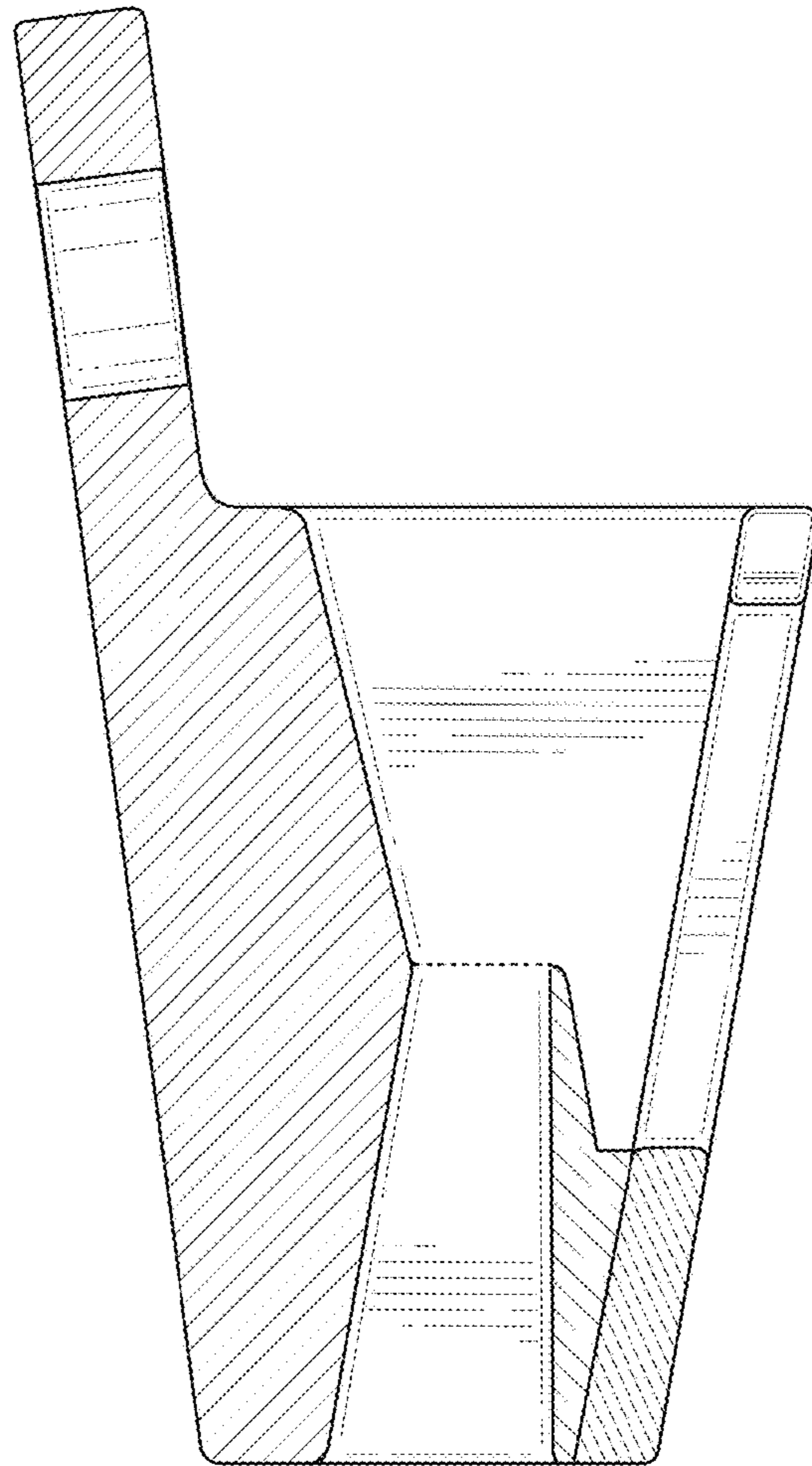


FIG. 8