

US00D839723S

(12) **United States Design Patent** (10) **Patent No.:** **US D839,723 S**  
**Bowker** (45) **Date of Patent:** **\*\* Feb. 5, 2019**

(54) **DECK CONNECTOR**  
(71) Applicant: **PDMM Limited as trustee of PDMM Trust, Tauranga (NZ)**  
(72) Inventor: **Paul Innes Bowker, Tauranga (NZ)**  
(73) Assignee: **PDMM Limited, Tauranga (NZ)**  
(\*\*) Term: **15 Years**  
(21) Appl. No.: **29/629,403**  
(22) Filed: **Dec. 13, 2017**  
(30) **Foreign Application Priority Data**

5,480,117 A \* 1/1996 Fleming, III ..... E04B 1/6183  
248/231.9  
D463,384 S \* 9/2002 Hu ..... D13/199  
D506,918 S \* 7/2005 Nakajima ..... D8/354  
D537,014 S \* 2/2007 Tait ..... D11/183  
D583,655 S \* 12/2008 Mazzocco ..... D8/382  
D585,269 S \* 1/2009 Prichard, Jr. .... D8/382  
D712,732 S \* 9/2014 Andrews ..... D8/396  
D745,370 S \* 12/2015 Johnston ..... D16/242  
D820,067 S \* 6/2018 Merminod ..... D8/349  
2005/0063771 A1\* 3/2005 Harris ..... E04F 15/04  
403/294  
2007/0056243 A1\* 3/2007 Riccitelli ..... A47B 96/06  
52/698  
2009/0217495 A1\* 9/2009 Tipps ..... E04F 15/02  
24/458  
2012/0304571 A1\* 12/2012 Beach ..... E04B 5/023  
52/483.1  
2014/0186109 A1\* 7/2014 Wadsworth ..... E04F 15/02  
403/404

Jun. 14, 2017 (AU) ..... 201713569  
(51) **LOC (11) Cl.** ..... **08-08**  
(52) **U.S. Cl.**  
USPC ..... **D8/382**  
(58) **Field of Classification Search**  
USPC ..... D8/382, 349, 354, 363, 367, 373, 374,  
D8/380, 499; D6/553, 300  
CPC . E04F 15/02; E04F 2015/02094; E04F 15/04;  
E04F 2015/02088; E04F 15/02183; E04F  
2015/02116; E04F 2015/02122; E04F  
2015/02077; E04F 15/02044; E04F  
2015/0205; E04F 2015/02066; E04F  
2015/02072; E04F 2201/057; E04F  
2201/05; F16B 5/02; F16B 5/002; Y10T  
403/4602; Y10T 403/553; Y10T 403/75  
See application file for complete search history.

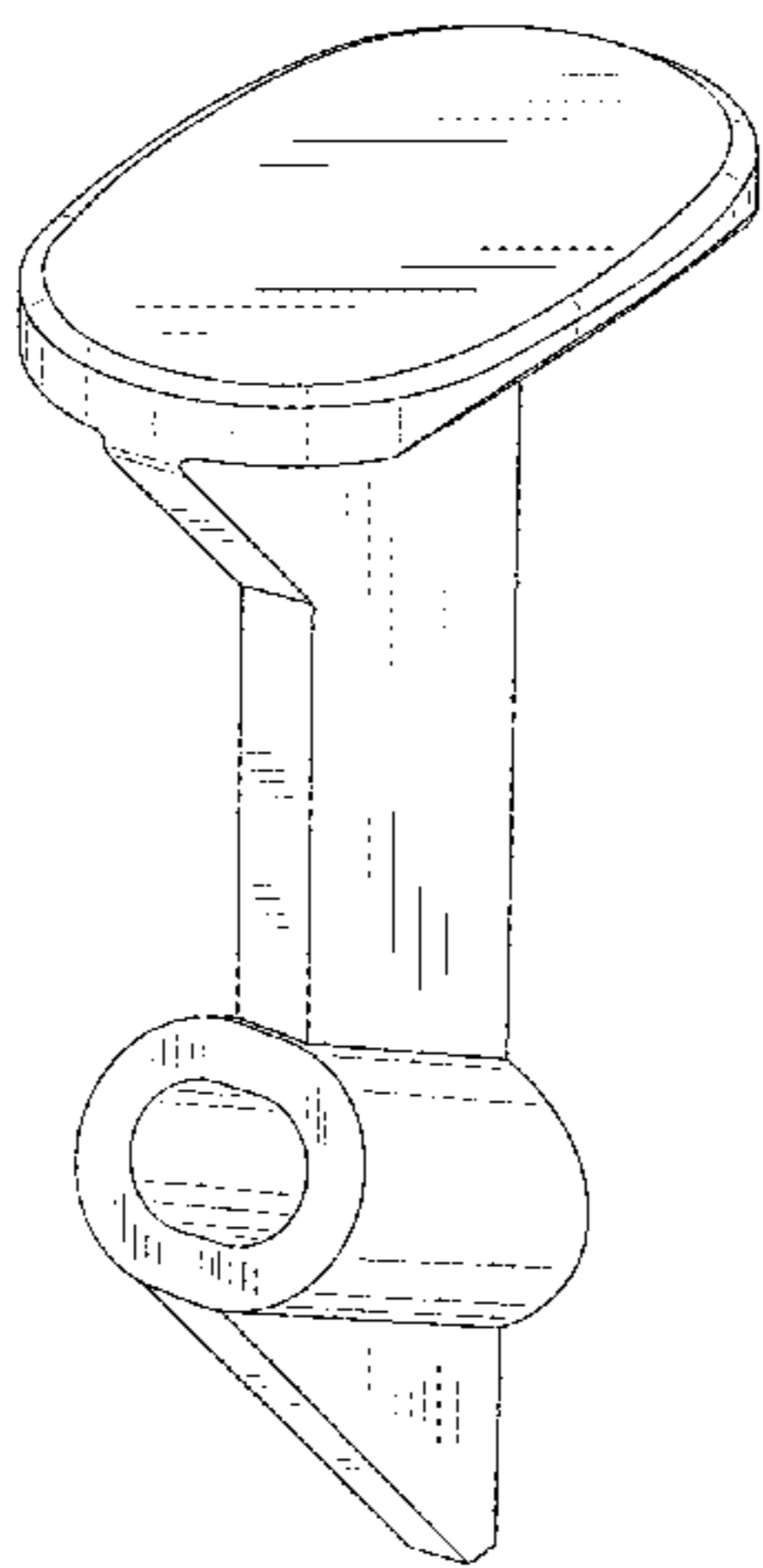
(56) **References Cited**  
U.S. PATENT DOCUMENTS  
4,405,110 A \* 9/1983 Gibbons ..... A47F 5/0823  
248/220.22  
D337,043 S \* 7/1993 Barnes ..... D8/373  
D344,886 S \* 3/1994 Sachs ..... D8/373

(Continued)  
*Primary Examiner* — Sandra S Snapp  
*Assistant Examiner* — Ieisha N Price  
(74) *Attorney, Agent, or Firm* — Merchant & Gould P.C.

(57) **CLAIM**  
The ornamental design for a deck connector, as shown and described.

**DESCRIPTION**  
FIG. 1 is a front perspective view showing our design thereof;  
FIG. 2 is a rear perspective view;  
FIG. 3 is a front view;  
FIG. 4 is a rear side view;  
FIG. 5 is a left side view;  
FIG. 6 is a right side view;  
FIG. 7 is a top view; and,  
FIG. 8 is a bottom view thereof.  
The broken lines in the drawings illustrate portions of the deck connector and form no part of the claimed design.

**1 Claim, 8 Drawing Sheets**



(56)

**References Cited**

U.S. PATENT DOCUMENTS

2014/0366334 A1\* 12/2014 Gamble ..... E04F 15/02044  
24/305  
2015/0040514 A1\* 2/2015 Hinkle ..... E04F 21/22  
52/745.13  
2017/0138063 A1\* 5/2017 Boschian ..... E04F 13/0803  
2017/0234481 A1\* 8/2017 Belinda ..... F16B 5/02  
248/205.1  
2018/0112387 A1\* 4/2018 Bertato ..... E04B 1/0038  
2018/0141134 A1\* 5/2018 Brigham ..... B23B 47/28

\* cited by examiner

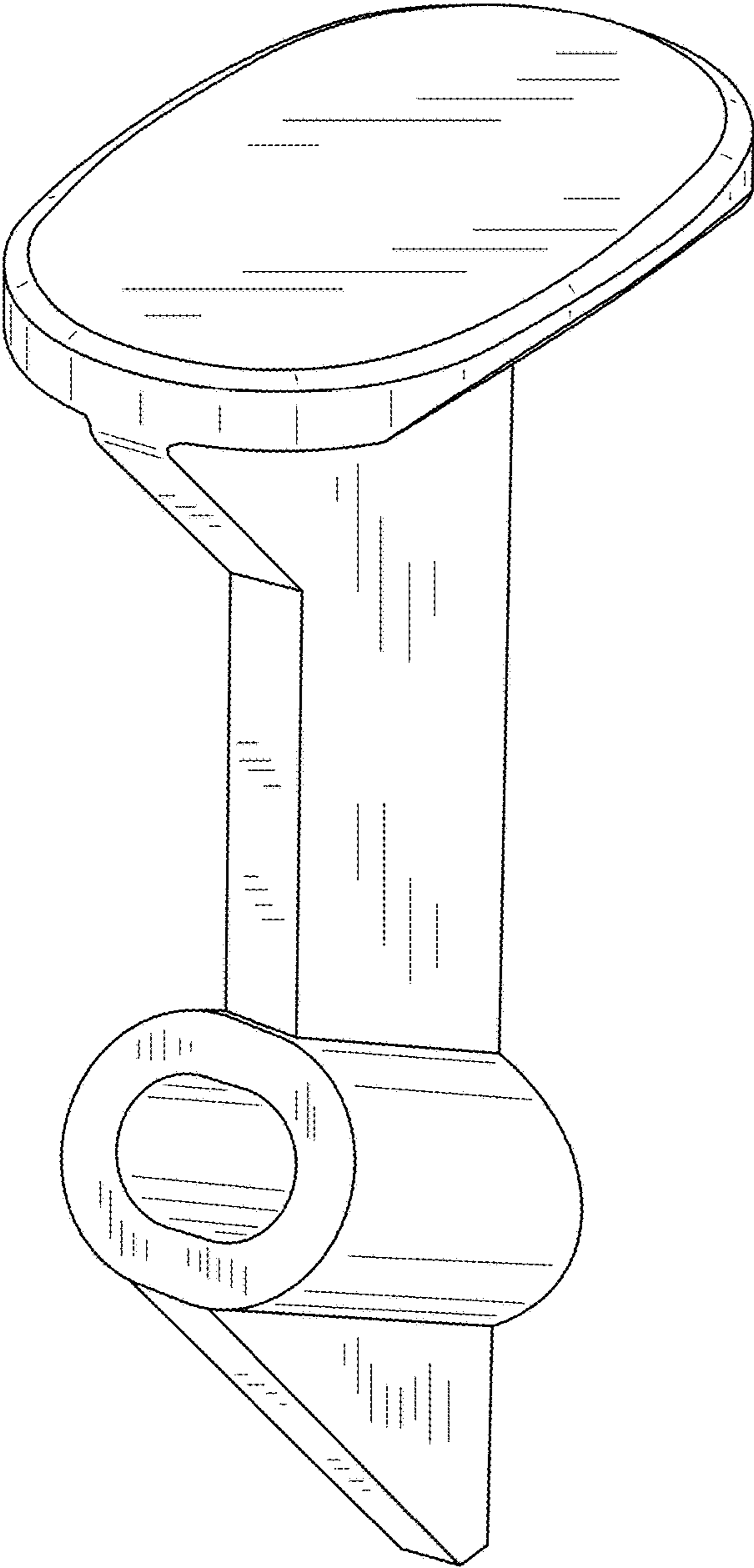


FIGURE 1

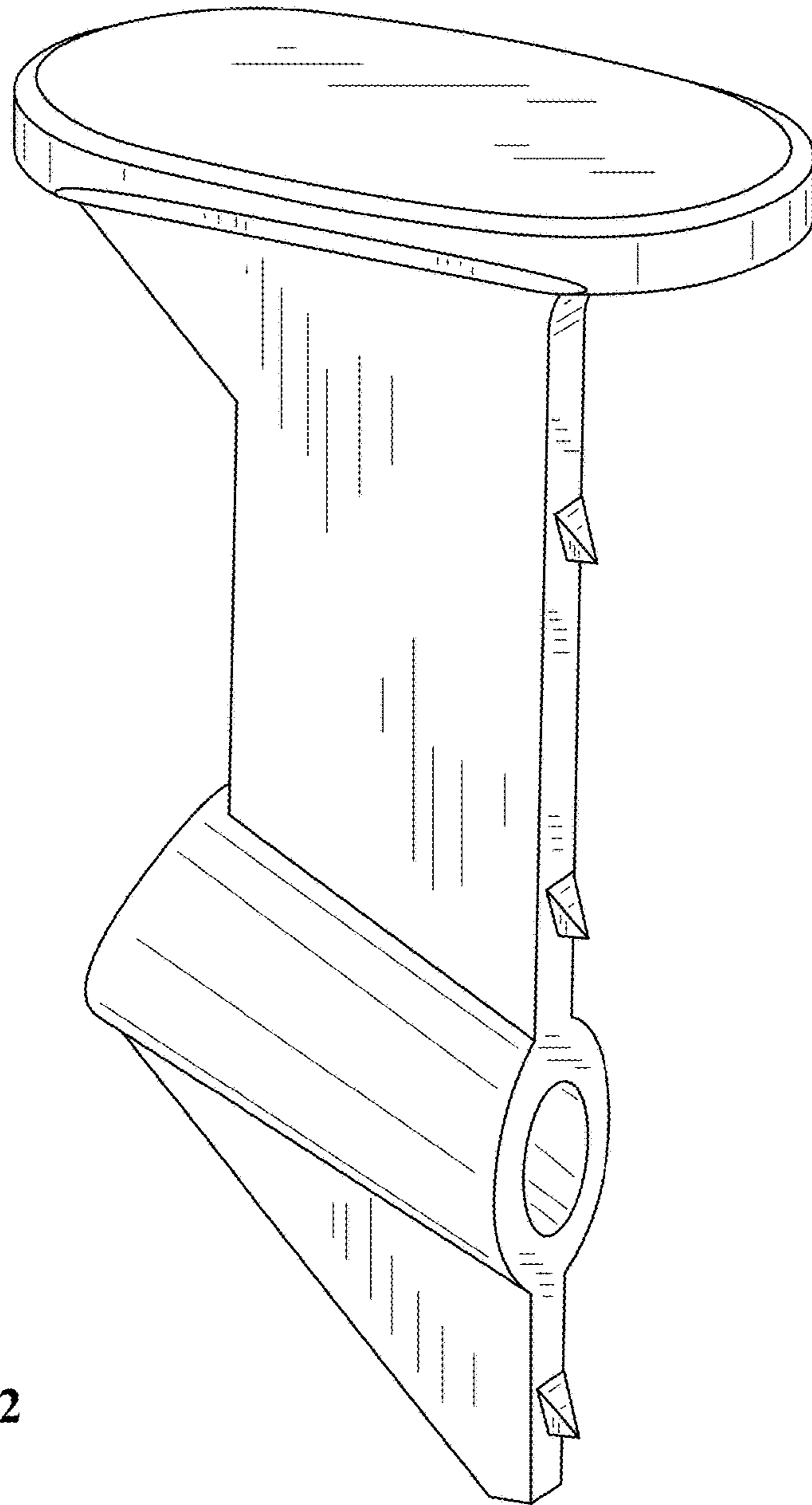


FIGURE 2

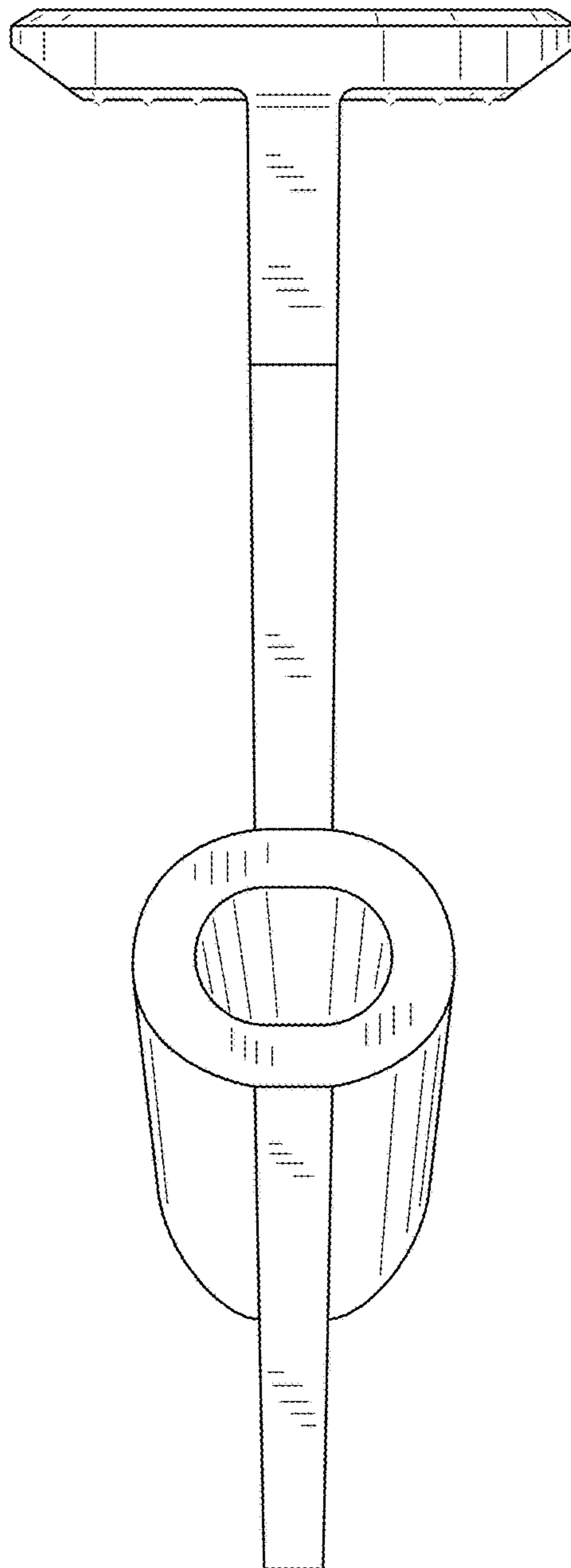


FIGURE 3

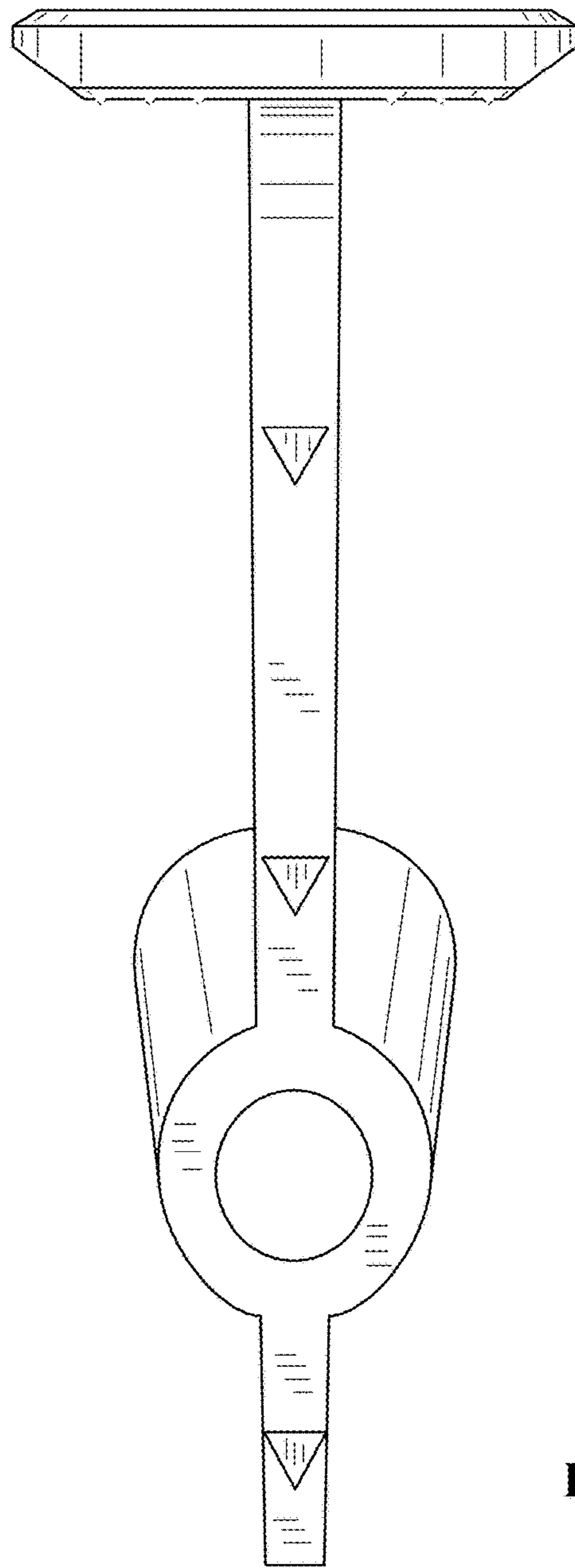


FIGURE 4

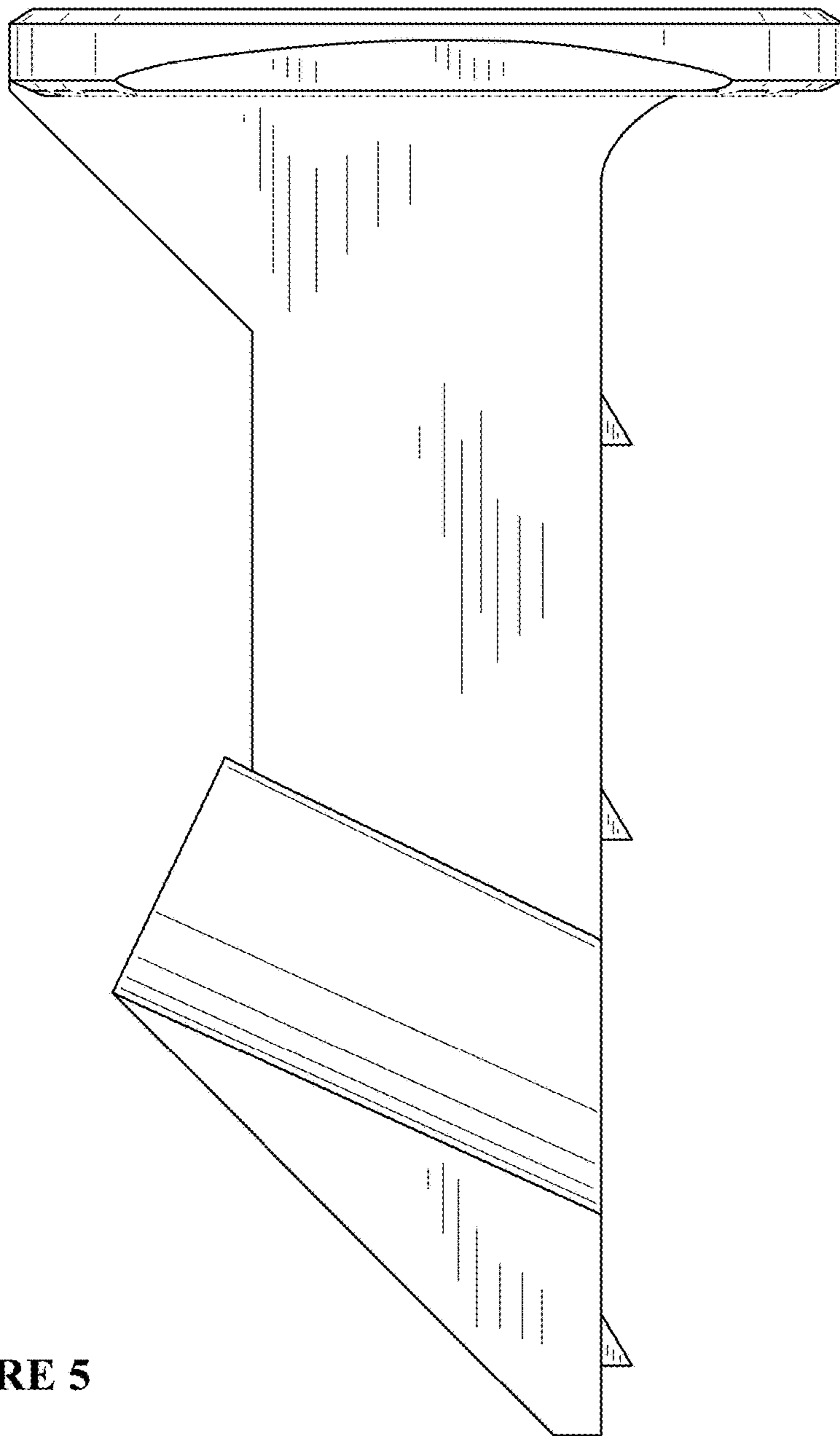


FIGURE 5



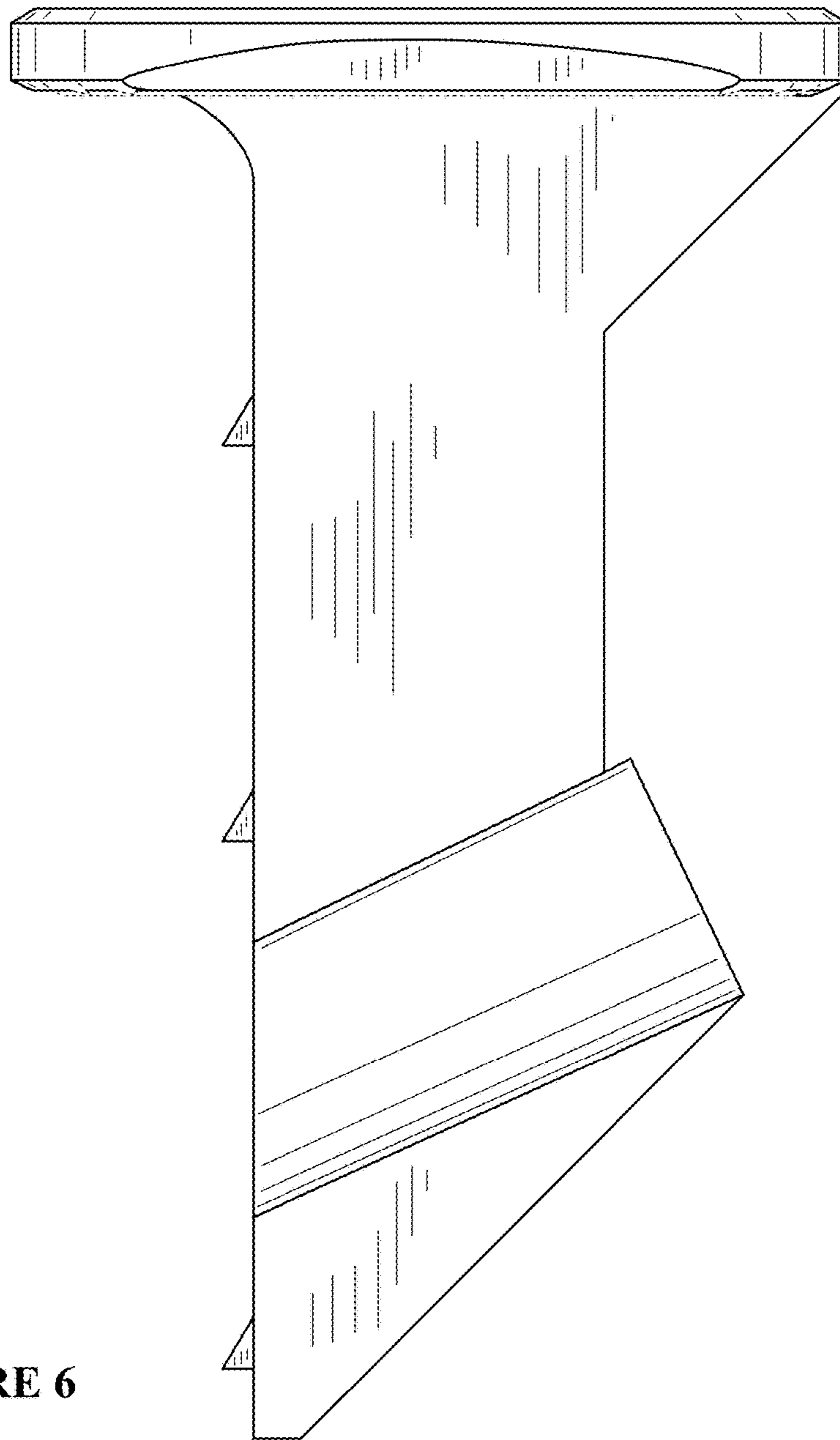
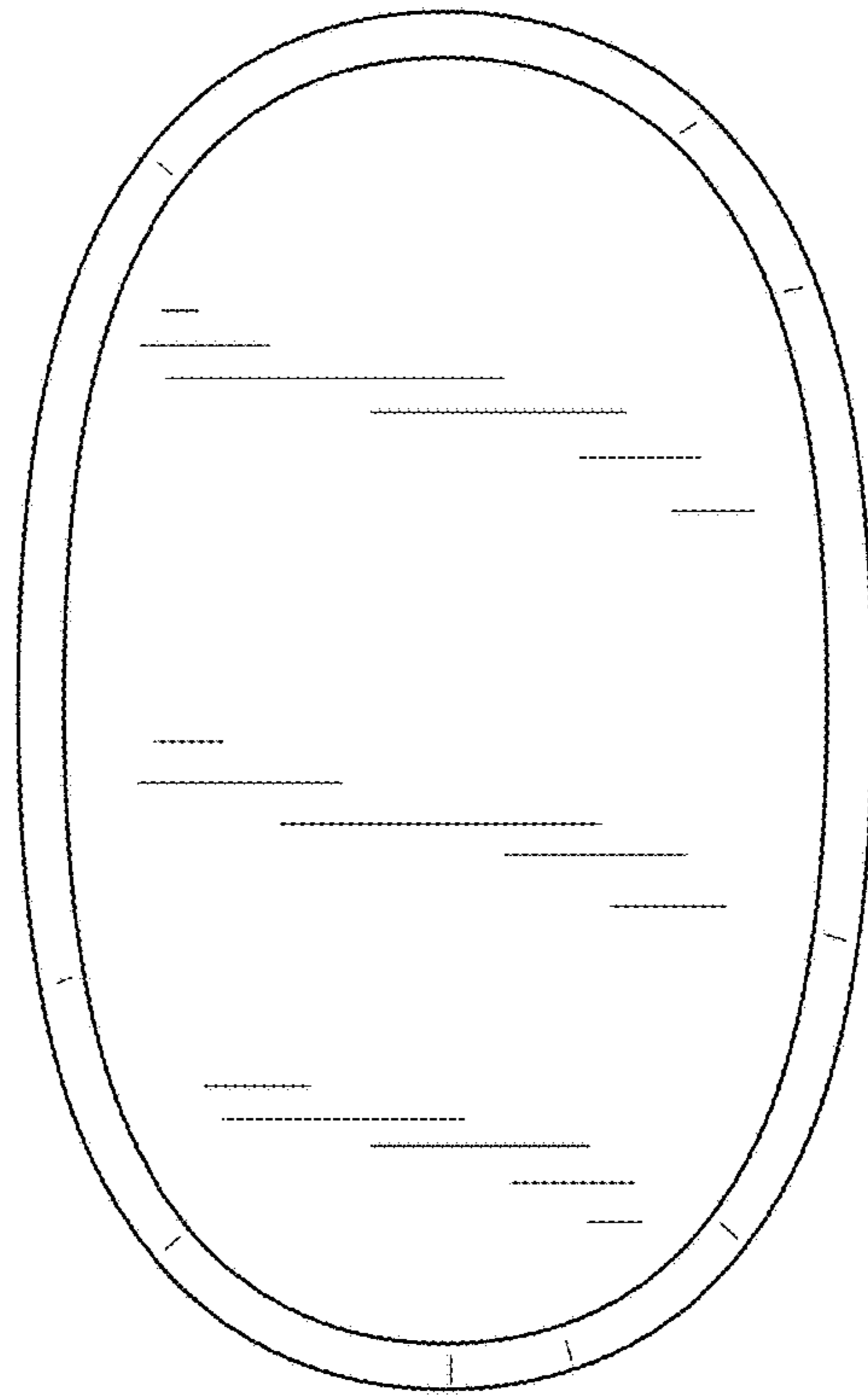


FIGURE 6





**FIGURE 7**

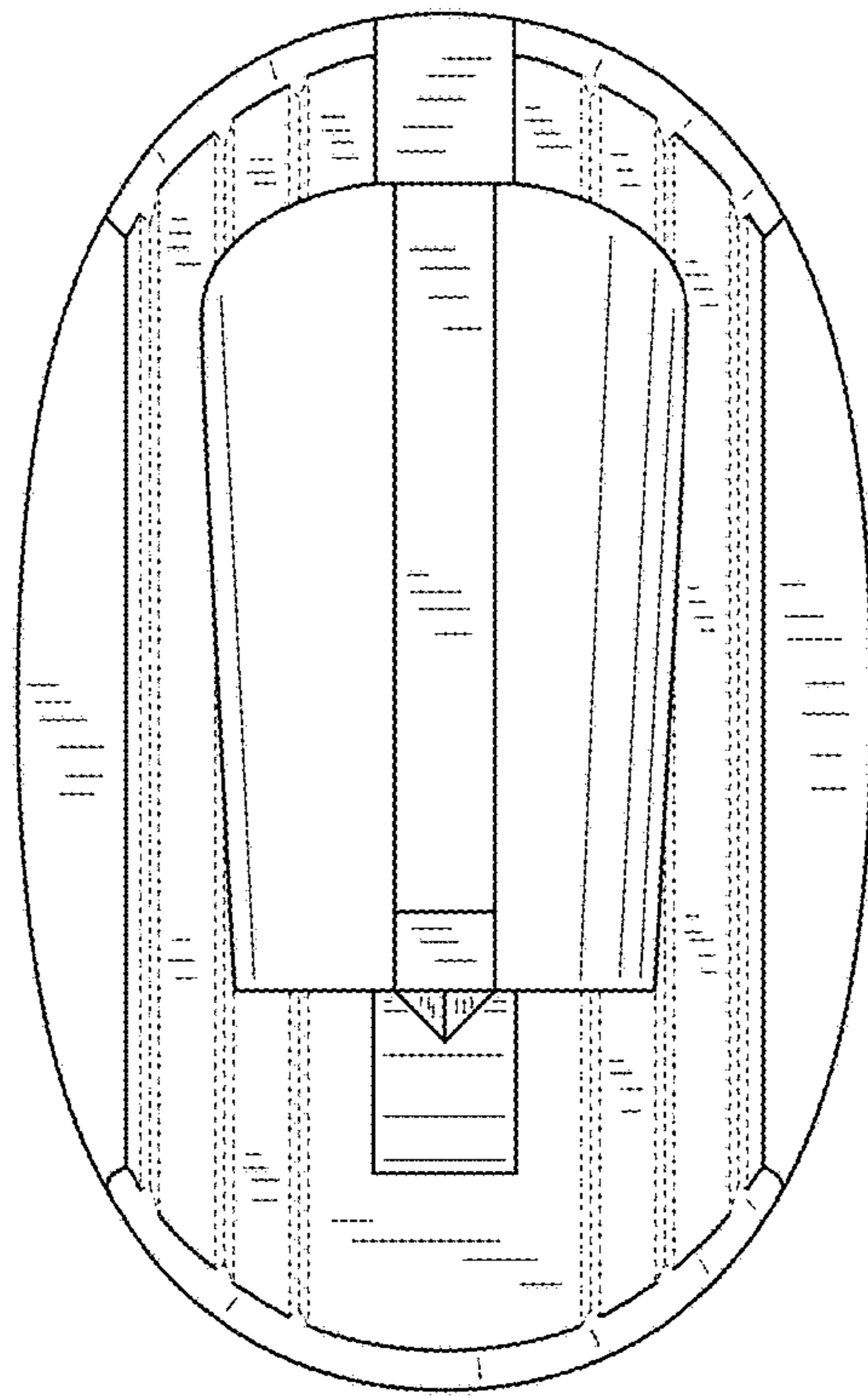


FIGURE 8