



US00D839720S

(12) **United States Design Patent** (10) **Patent No.:** **US D839,720 S**
Cunnington et al. (45) **Date of Patent:** **** Feb. 5, 2019**

(54) **TIE STRAP**
(71) Applicant: **Blount, Inc.**, Portland, OR (US)
(72) Inventors: **James Matthew Cunnington**, Tualatin, OR (US); **Michael D. Harfst**, Milwaukie, OR (US); **Sam Hutsell**, Portland, OR (US); **Roberto de Jesus Torres Delgado**, Portland, OR (US)
(73) Assignee: **Blount, Inc.**, Portland, OR (US)
(**) Term: **15 Years**
(21) Appl. No.: **29/640,492**
(22) Filed: **Mar. 14, 2018**
(51) **LOC (11) Cl.** **09-06**
(52) **U.S. Cl.**
USPC **D8/356**
(58) **Field of Classification Search**
USPC D8/356, 354, 349
CPC F16B 45/00; F16B 7/042
See application file for complete search history.

D627,632 S * 11/2010 Elmer et al. D8/383
D660,740 S * 5/2012 Cullen et al. D11/3
D662,087 S * 6/2012 Peller D14/223
D675,123 S * 1/2013 Nunez D11/3
D684,845 S * 6/2013 Wood A62B 35/04
D8/356
8,615,849 B2 * 12/2013 Rothbaum et al. 24/16 R
8,661,624 B1 * 3/2014 Bracewell B63B 21/08
24/129 B
D702,109 S * 4/2014 Weinberg D8/356
D737,502 S * 8/2015 Kirkham D26/143
D762,461 S * 8/2016 Kirkham D8/356
D830,948 S * 10/2018 Fenchak D12/414
2014/0196256 A1 * 7/2014 Garcia F16G 11/046
24/129 R

* cited by examiner

Primary Examiner — Cynthia R Underwood
(74) *Attorney, Agent, or Firm* — Schwabe Williamson & Wyatt, P.C.

(57) **CLAIM**

We claim the ornamental design for a tie strap, as shown and described.

DESCRIPTION

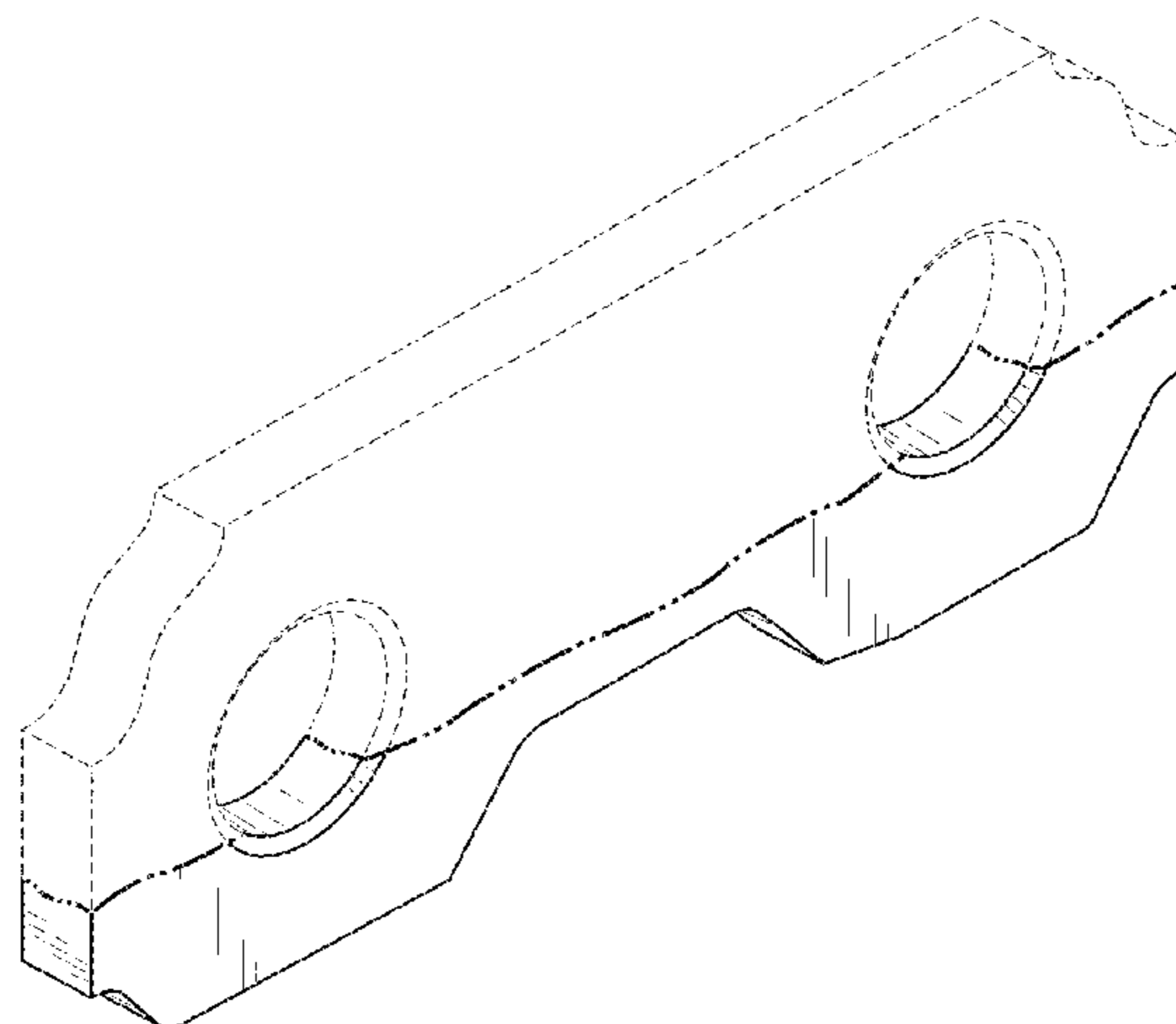
FIG. 1 is a perspective view of a tie strap showing our new design;
FIG. 2 is a front view thereof;
FIG. 3 is a back view thereof;
FIG. 4 is a left side view thereof;
FIG. 5 is a right side view thereof;
FIG. 6 is a top view thereof; and,
FIG. 7 is a bottom view thereof.
The dash-dot-dot-dash broken line immediately adjacent to the shaded area represents an unclaimed boundary of the claimed design. The remainder of the broken lines are provided for environmental purposes only and form no part of the claimed design.

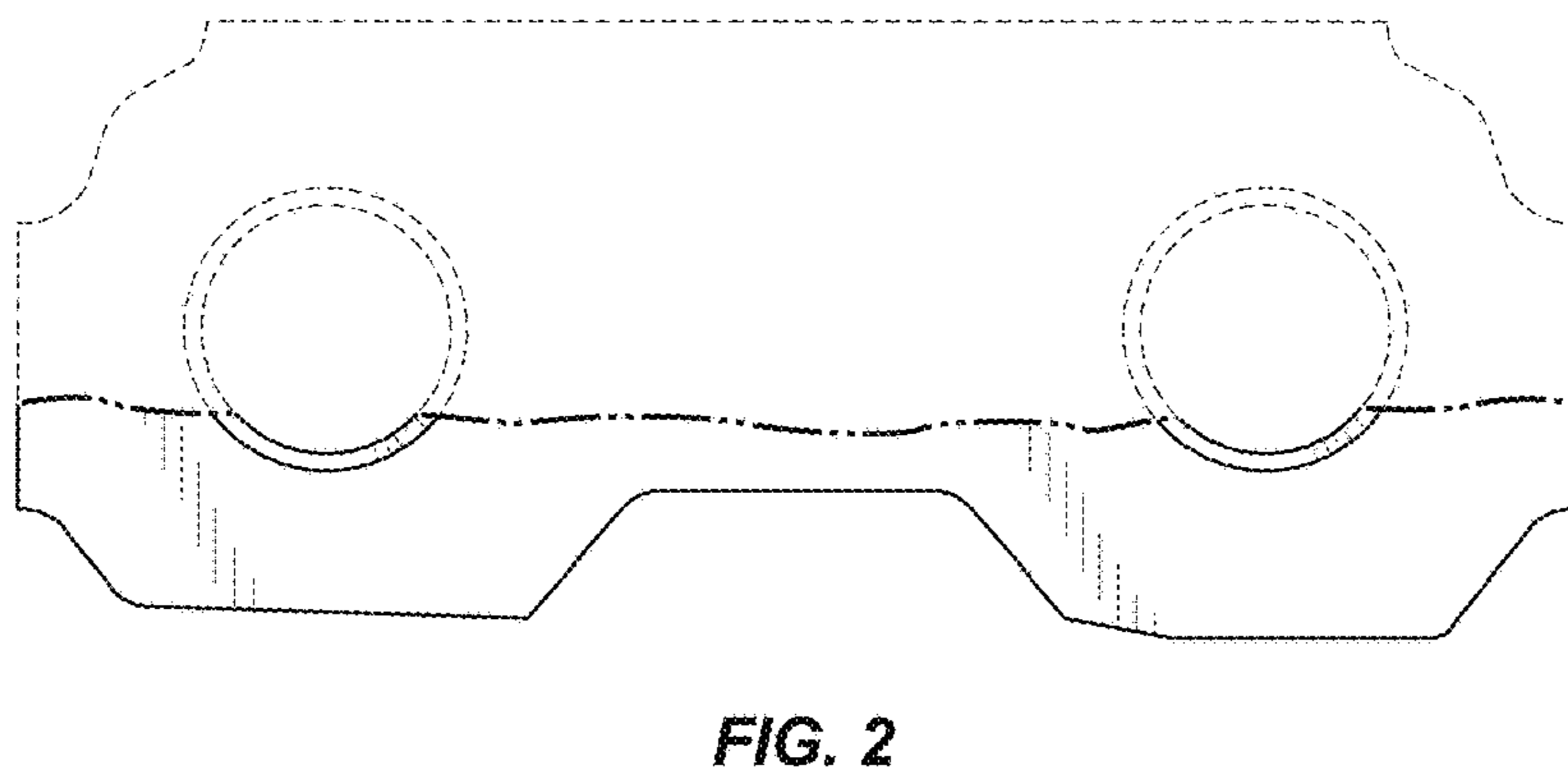
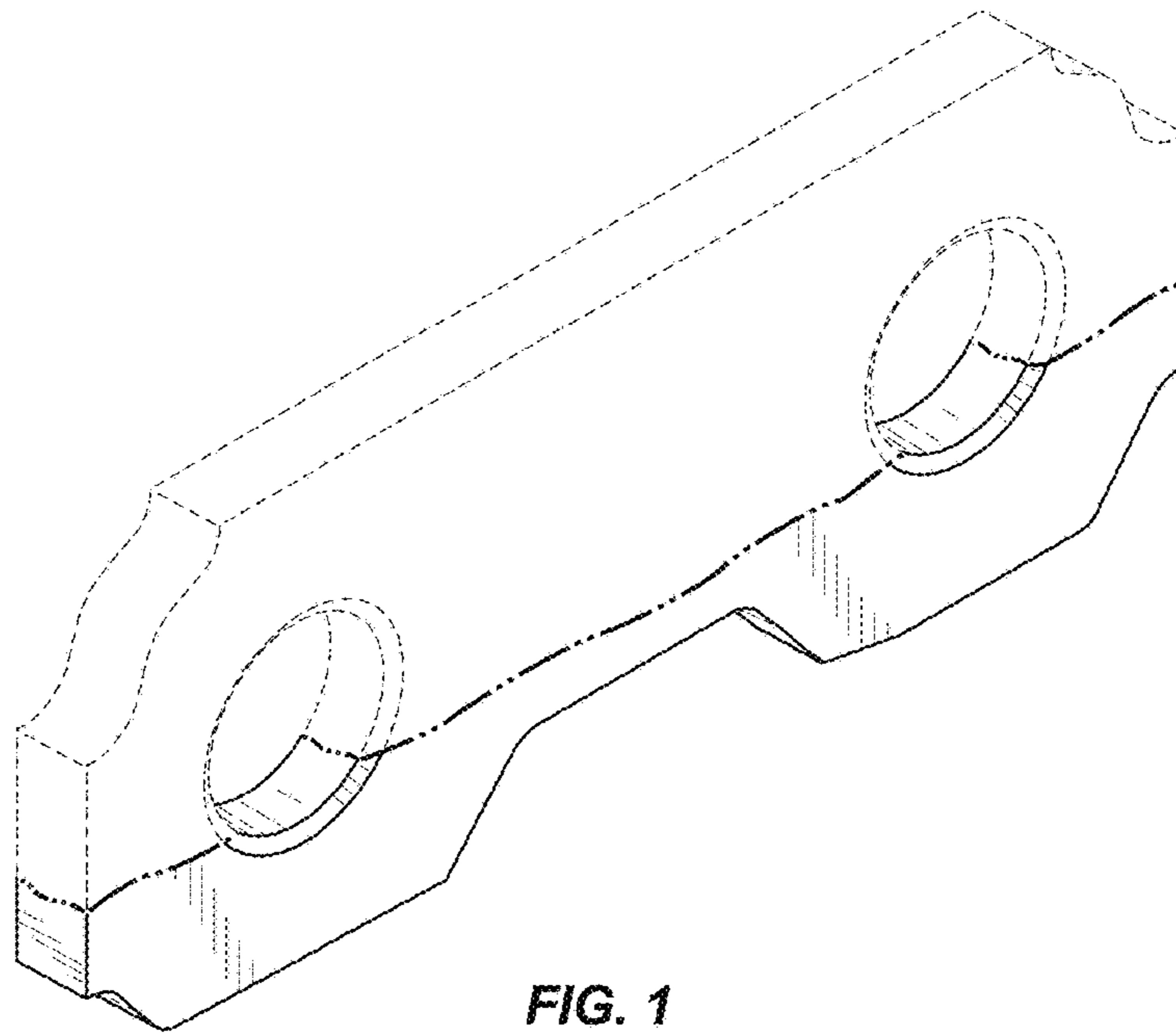
1 Claim, 2 Drawing Sheets

(56) **References Cited**

U.S. PATENT DOCUMENTS

1,583,343 A * 5/1926 Duerden F16G 11/14
24/129 R
1,666,623 A * 4/1928 Hoover 24/18
D289,373 S * 4/1987 Kimball 24/130
4,957,232 A * 9/1990 Sprague A45F 5/02
224/249
D311,487 S * 10/1990 Platt D8/396
5,234,185 A * 8/1993 Hoffman et al. 248/56
D353,990 S * 1/1995 Alfreds D8/356
D390,447 S * 2/1998 Colen, Jr. D8/356
6,092,444 A * 7/2000 Hsiao 81/440
D494,450 S * 8/2004 Schultz et al. D8/356
6,813,981 B2 * 11/2004 Urban et al. 83/13
D613,137 S * 4/2010 Wieberdink et al. D8/14
D624,378 S * 9/2010 Wysopal D8/40





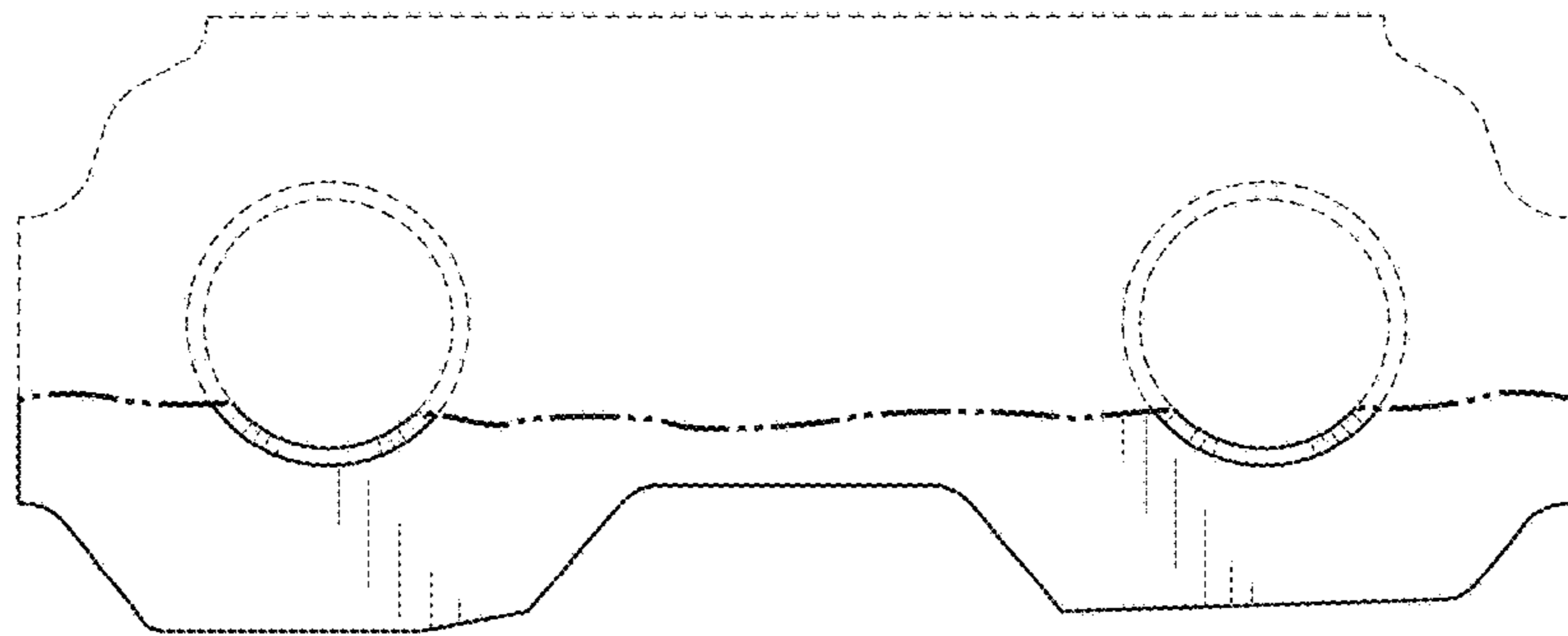


FIG. 3

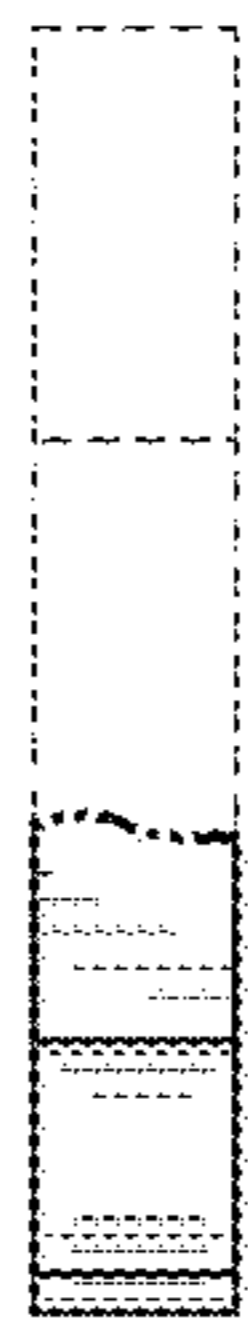


FIG. 4



FIG. 5

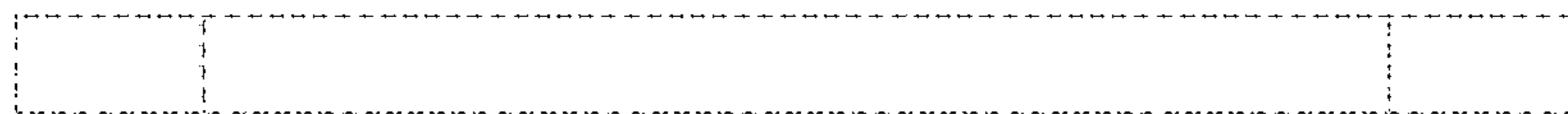


FIG. 6



FIG. 7