



US00D839717S

(12) **United States Design Patent** (10) **Patent No.:** **US D839,717 S**
Petzl (45) **Date of Patent:** **** Feb. 5, 2019**

(54) **CLIMBING APPARATUS**

(71) Applicant: **ZEDEL**, Crolles (FR)

(72) Inventor: **Paul Petzl**, Barraux (FR)

(73) Assignee: **ZEDEL**, Crolles (FR)

(**) Term: **15 Years**

(21) Appl. No.: **29/634,117**

(22) Filed: **Jan. 18, 2018**

(30) **Foreign Application Priority Data**

Jul. 18, 2017 (EM) 001460109-0001

(51) **LOC (11) Cl.** **09-06**

(52) **U.S. Cl.**

USPC **D8/356**

(58) **Field of Classification Search**

USPC D8/356, 354, 349

CPC B65H 57/16; E02D 5/803; B63B 21/045;

B63B 59/02; B60D 1/18; B60P 1/103;

Y10T 24/3918; A62B 35/0081

See application file for complete search history.

(56) **References Cited**

U.S. PATENT DOCUMENTS

D362,614 S * 9/1995 Kingery D8/360

6,843,346 B2 * 1/2005 LeBeau A62B 1/14

182/192

D572,099 S * 7/2008 Fontaine D8/356

D586,001 S * 2/2009 Petzl D25/69

D597,822 S * 8/2009 Olsen D8/356

D650,260 S * 12/2011 Petzl D8/356

D658,487 S * 5/2012 Chih D8/360

8,225,905 B2 * 7/2012 Delaittre A62B 1/14

182/190

D687,700 S * 8/2013 Petzl D8/360

D708,931 S * 7/2014 Petzl D8/356

D722,487 S * 2/2015 Miller D8/356

D736,603 S * 8/2015 Petzl D8/356

D746,125 S * 12/2015 Miller D8/356

D753,467 S * 4/2016 Taing D8/356

D770,882 S * 11/2016 Petzl D8/356

D815,513 S * 4/2018 Petzl D8/356

2006/0096067 A1 * 5/2006 Fontaine F16G 11/103

24/130

2014/0054109 A1 * 2/2014 Barnett A62B 1/14

182/5

2014/0123439 A1 * 5/2014 Bacon F16G 11/106

24/134 KB

2014/0138191 A1 * 5/2014 Chabod A62B 1/14

188/65.1

2014/0174850 A1 * 6/2014 Paglioli A62B 1/14

182/5

2014/0196984 A1 * 7/2014 Chabod A62B 1/14

182/18

2014/0262611 A1 * 9/2014 Oddou A62B 1/14

182/5

(Continued)

Primary Examiner — Cynthia R Underwood

(74) *Attorney, Agent, or Firm* — Oliff PLC

(57) **CLAIM**

The ornamental design for a climbing apparatus, as shown and described.

DESCRIPTION

FIG. 1 is a front, left-side, top perspective view of the climbing apparatus;

FIG. 2 is a front elevational view thereof;

FIG. 3 is a top plan view thereof;

FIG. 4 is a left-side elevational view thereof;

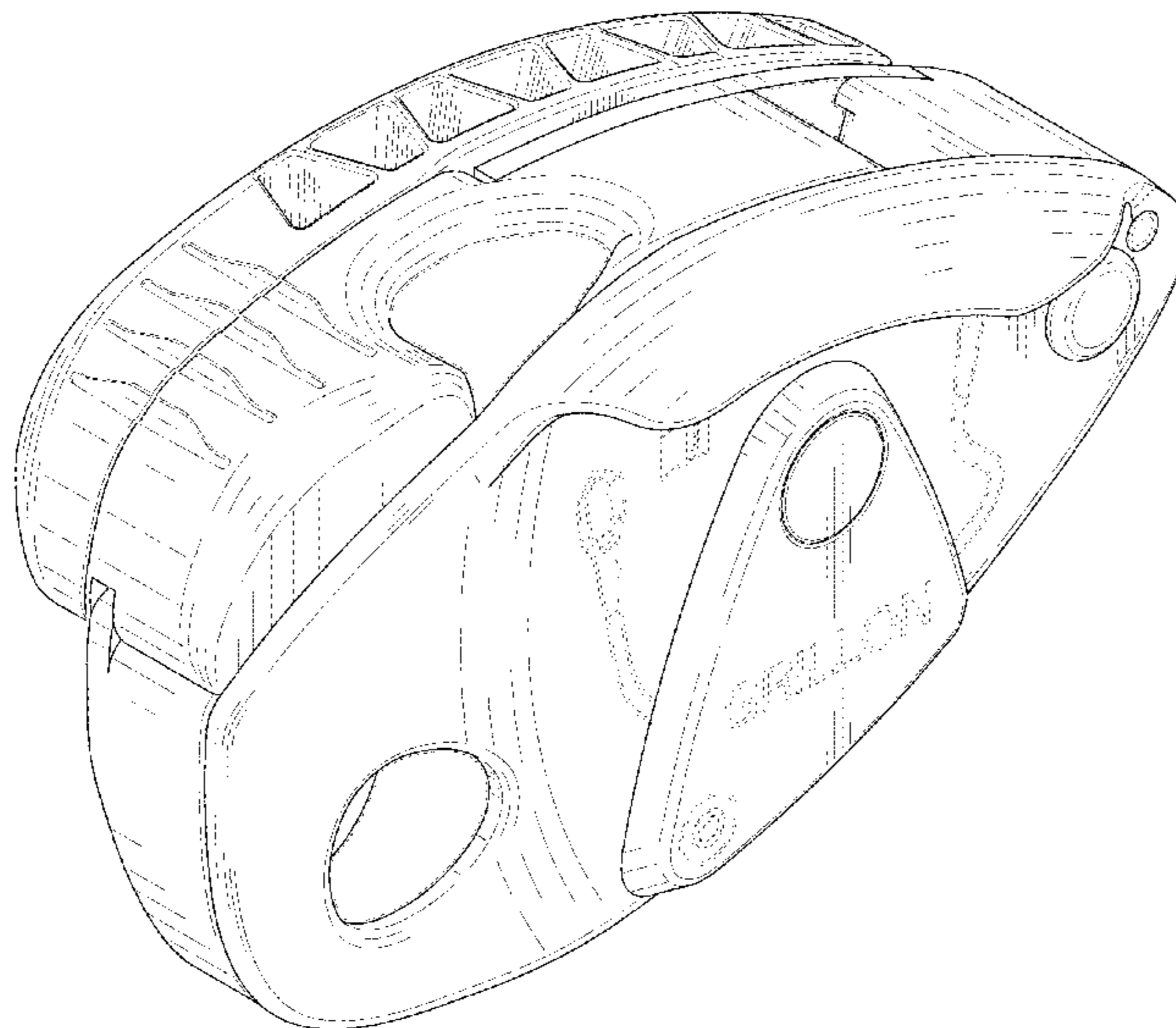
FIG. 5 is a right-side elevational view thereof;

FIG. 6 is a rear elevational view thereof; and,

FIG. 7 is a bottom plan view thereof.

The broken lines depict unclaimed parts of the climbing apparatus, and thus form no part of the claimed design.

1 Claim, 6 Drawing Sheets



(56)

References Cited

U.S. PATENT DOCUMENTS

2014/0311834 A1* 10/2014 Lawton A62B 1/14
188/65.2
2016/0059055 A1* 3/2016 Roth A62B 35/0081
182/36
2017/0197116 A1* 7/2017 Merritt A63B 29/024

* cited by examiner

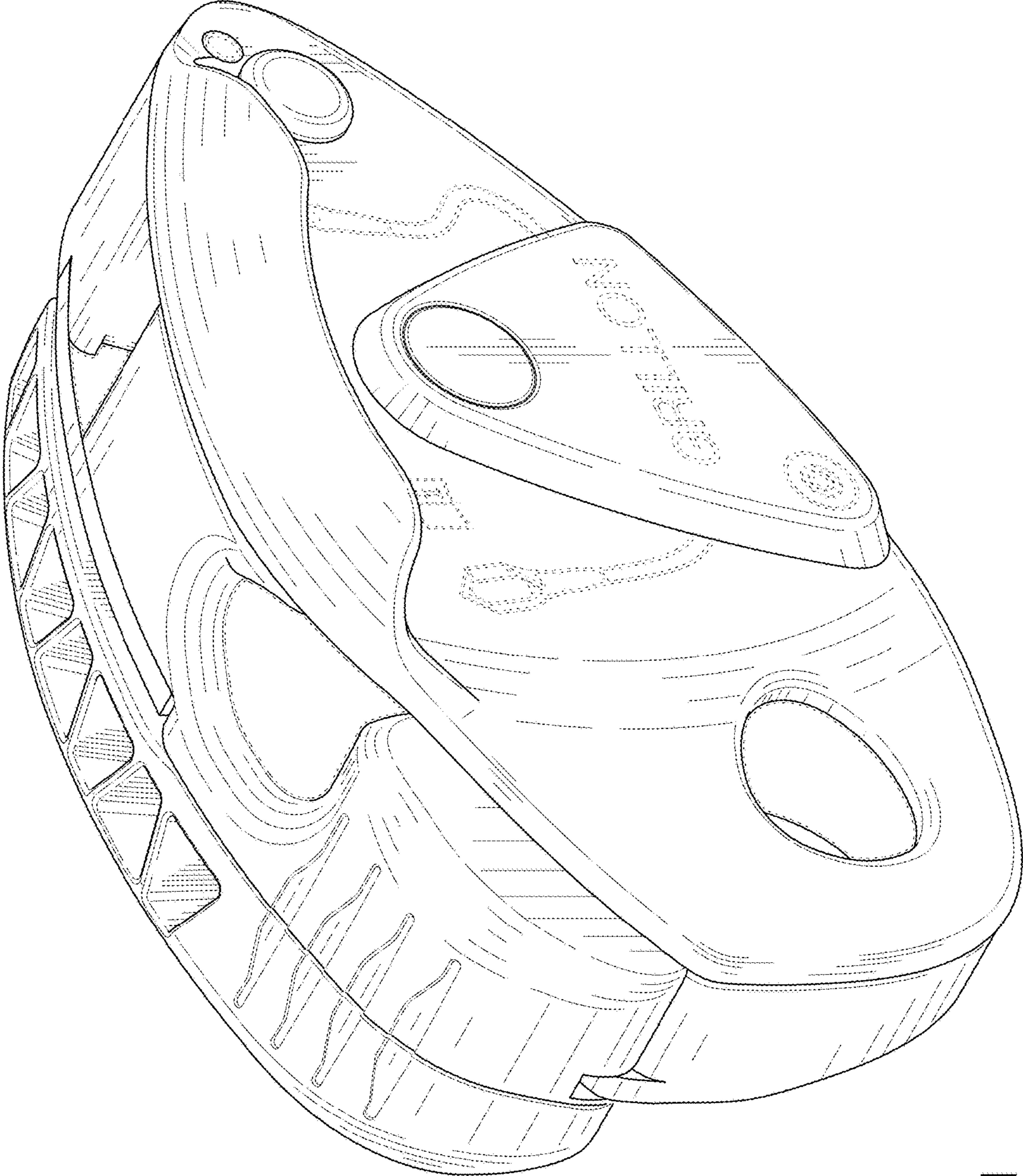


FIG. 1

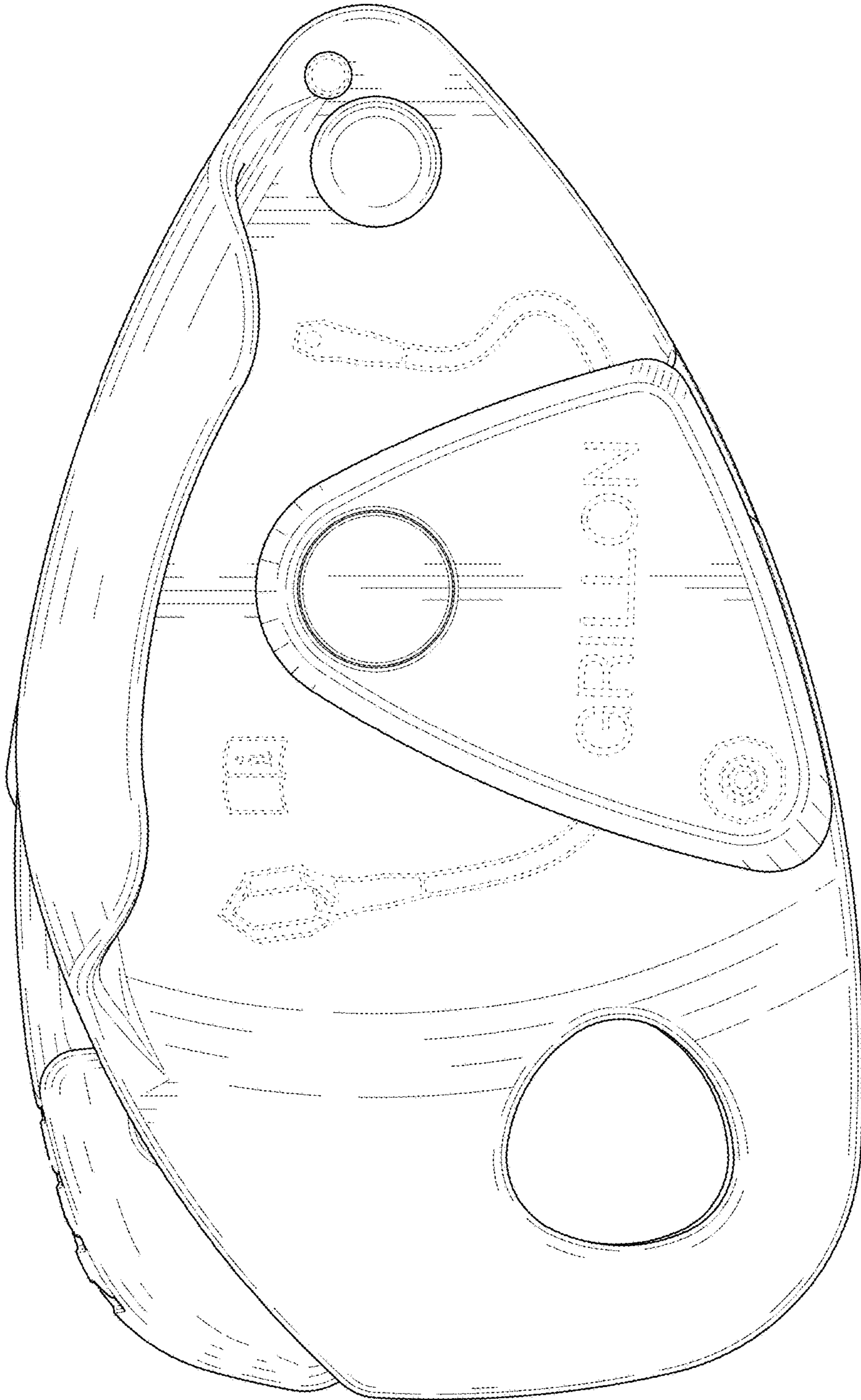


FIG. 2

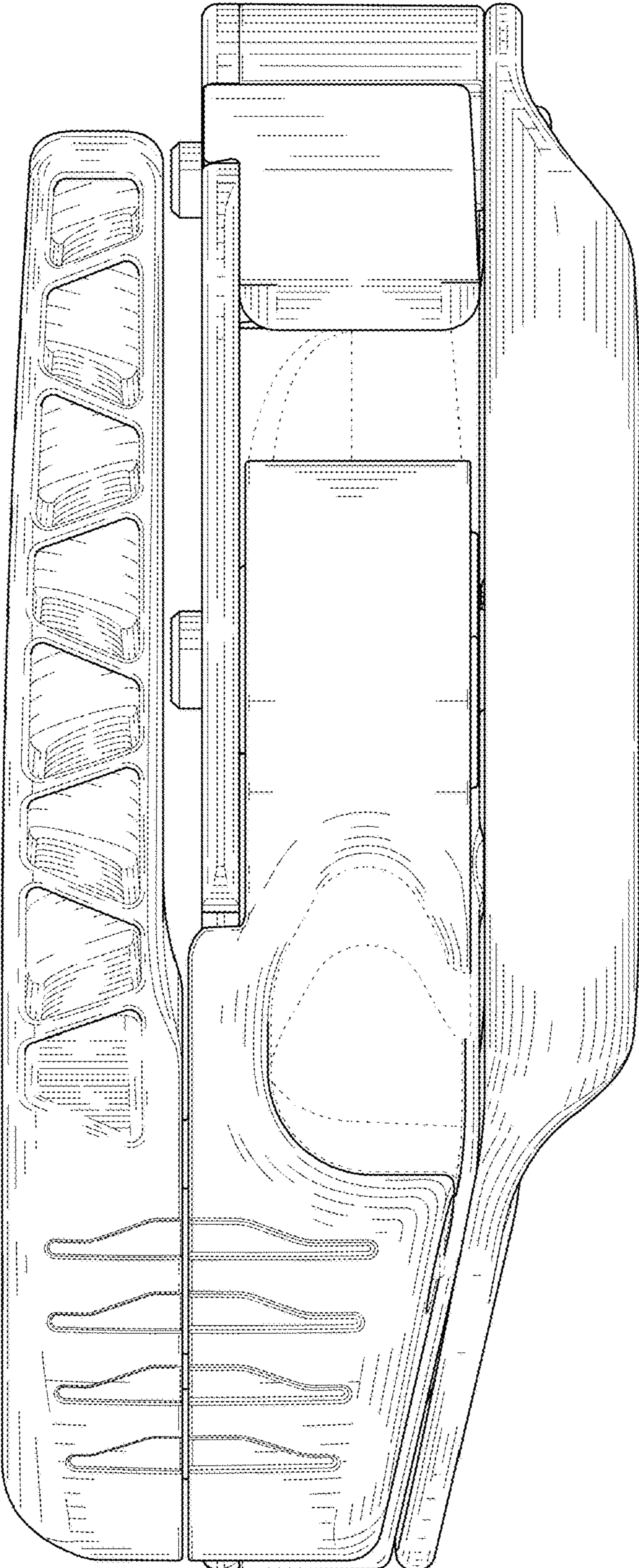


FIG. 3

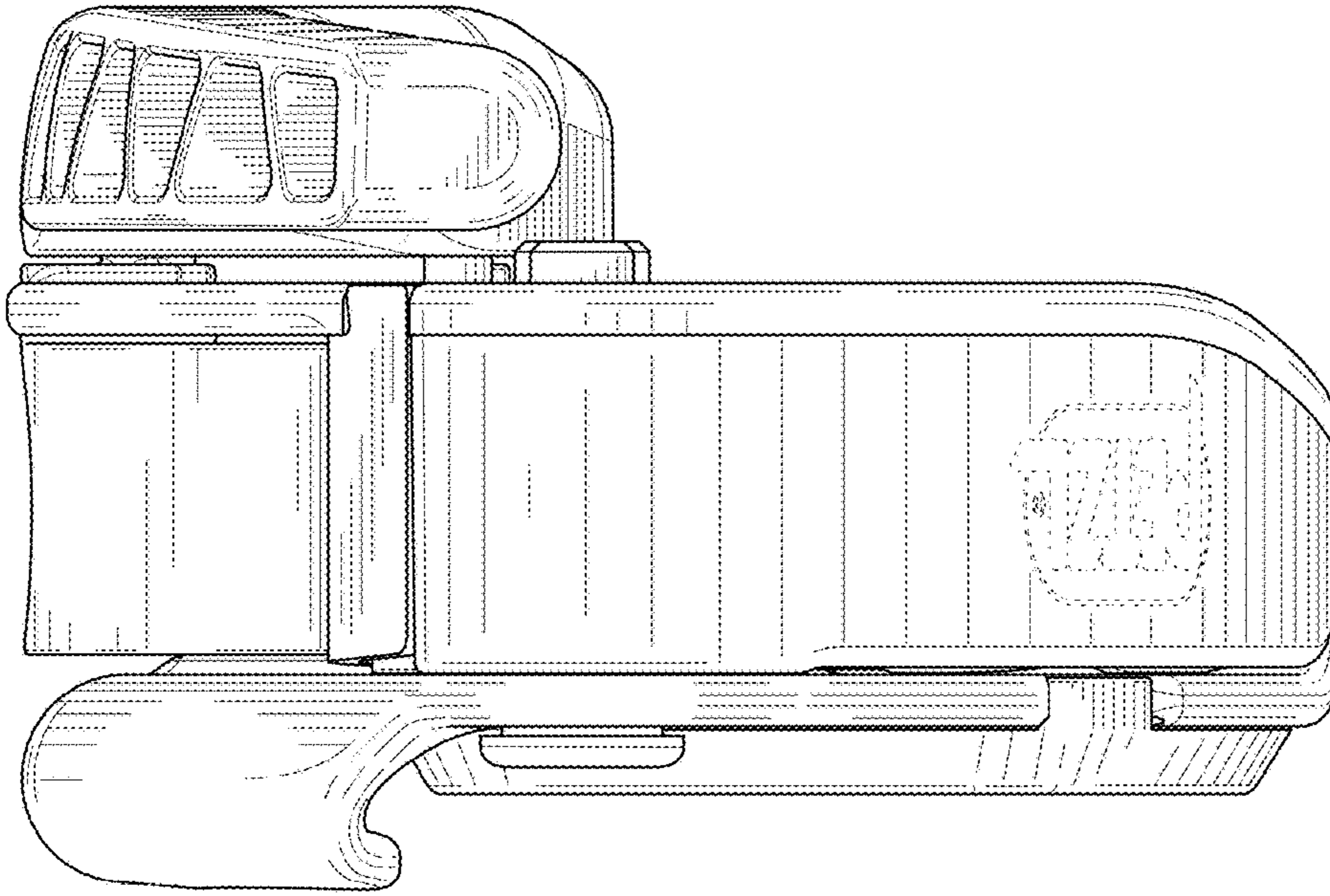


FIG. 5

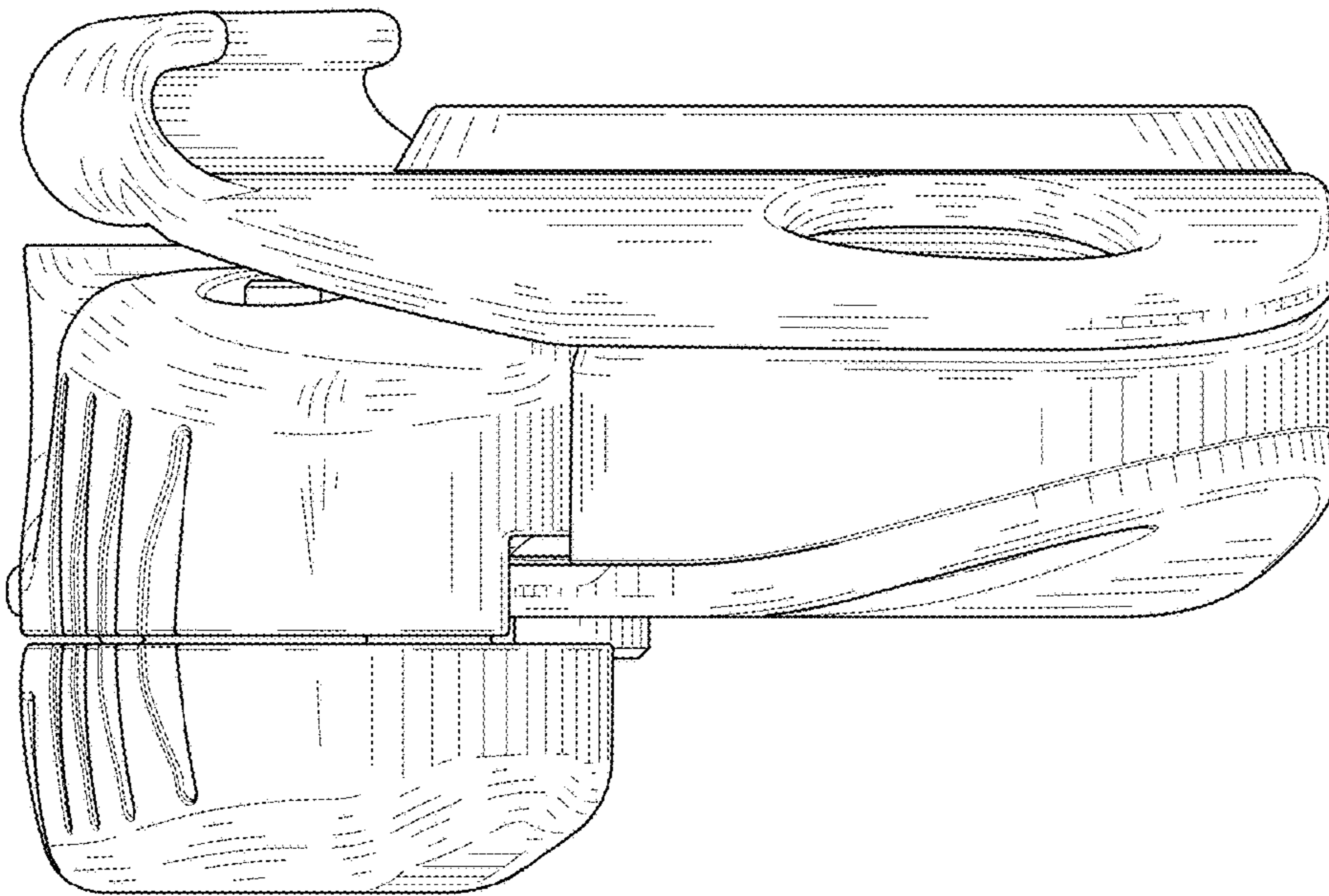


FIG. 4

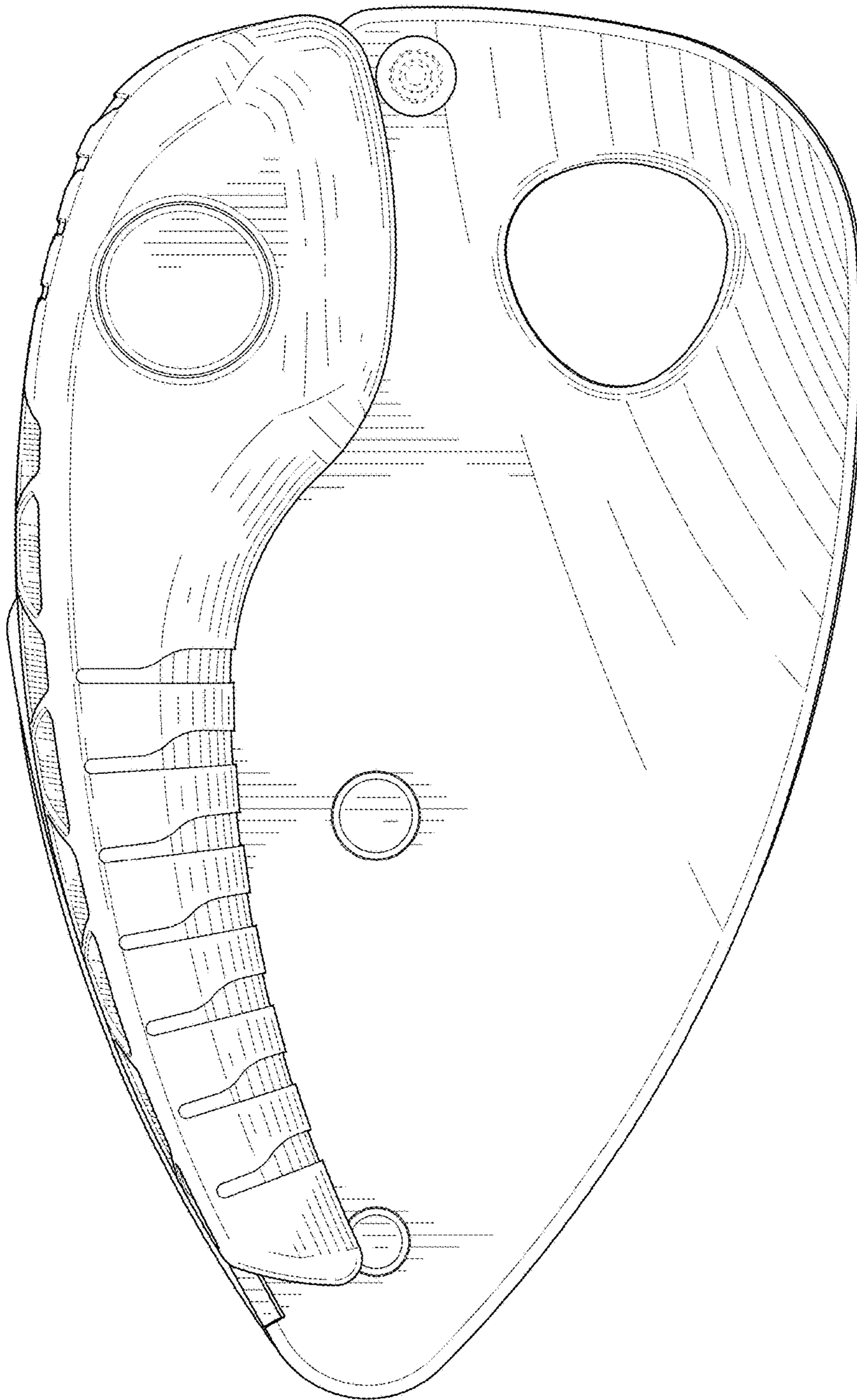


FIG. 6

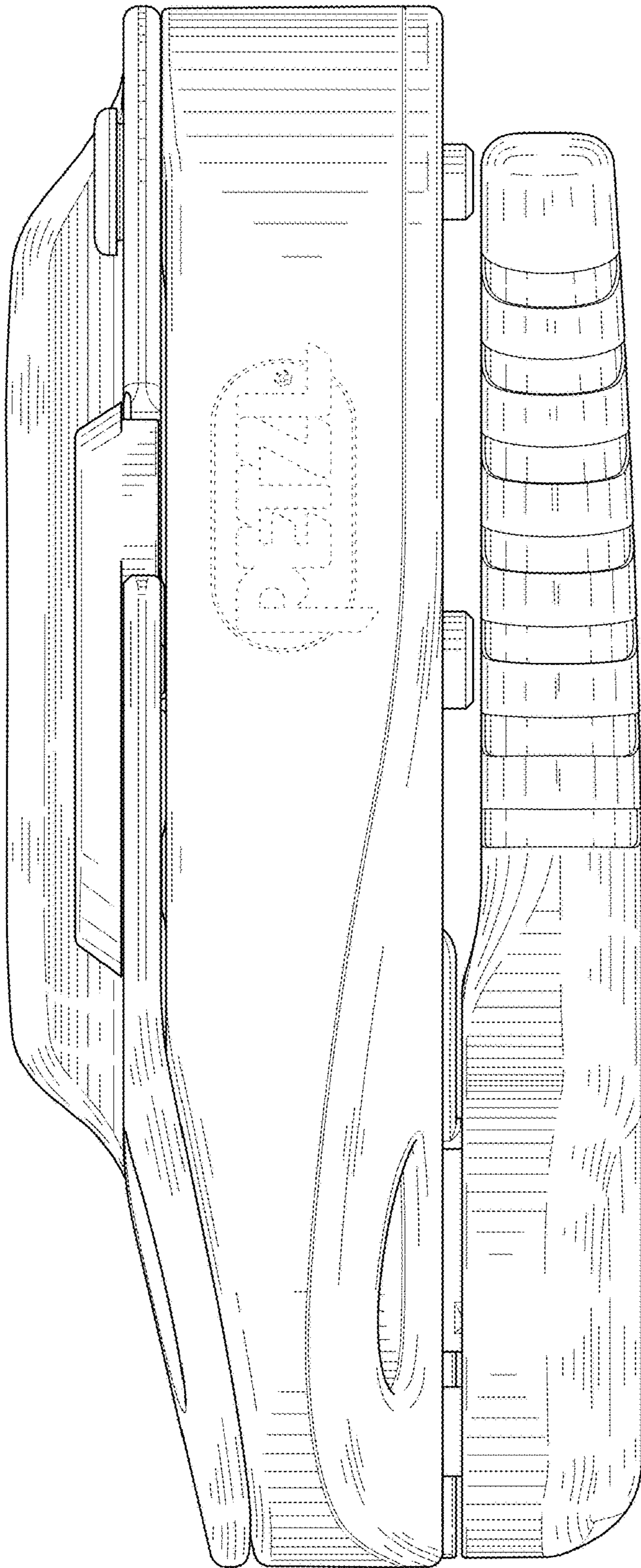


FIG. 7