



US00D839715S

(12) **United States Design Patent**
Osumi

(10) **Patent No.:** **US D839,715 S**

(45) **Date of Patent:** **** Feb. 5, 2019**

(54) **KEY**

(71) Applicant: **HONDA MOTOR CO., LTD.**, Tokyo
(JP)

(72) Inventor: **Masayuki Osumi**, Wako (JP)

(73) Assignee: **HONDA MOTOR CO., LTD.**, Tokyo
(JP)

(**) Term: **15 Years**

(21) Appl. No.: **29/614,091**

(22) Filed: **Aug. 16, 2017**

(30) **Foreign Application Priority Data**

Feb. 28, 2017 (JP) 2017-003907

(51) **LOC (11) Cl.** **08-07**

(52) **U.S. Cl.**
USPC **D8/347**

(58) **Field of Classification Search**
USPC D8/347, 311, 348, 346, 343; 70/391,
70/393, 402, 408, 416, 429, 430, 448,
70/449, 336, 431, 465, 456 R
CPC .. G05G 1/08; G05G 5/00; E05B 19/00; E05B
19/20; E05B 13/00; E05B 11/00; E05B
19/0082; A47K 17/00
See application file for complete search history.

(56) **References Cited**

U.S. PATENT DOCUMENTS

D155,062 S * 8/1949 Drake D8/347
4,334,492 A * 6/1982 Klingler G05G 1/10
116/309
D323,764 S * 2/1992 Sautour D7/393
D508,225 S * 8/2005 Scheepers D12/197
7,185,759 B2 * 3/2007 Rich A47K 17/00
206/349

D567,060 S * 4/2008 Busalt D8/310
D658,971 S * 5/2012 Drake D8/347
D670,043 S * 10/2012 Goldman D30/155
D705,642 S * 5/2014 Pellegrini D8/347
D710,673 S * 8/2014 Boo G05G 1/10
D8/311
D725,994 S * 4/2015 Pellegrini D8/347
D725,995 S * 4/2015 Pellegrini D8/347
D725,996 S * 4/2015 Pellegrini D8/347
D731,289 S * 6/2015 Ziegler D8/347
D760,574 S * 7/2016 Arthurs D8/307
D779,303 S * 2/2017 Shoemaker D8/311
D786,651 S * 5/2017 Shoemaker D8/311
D808,767 S * 1/2018 Kim D8/311
D813,357 S * 3/2018 Bryant D23/262
D825,986 S * 8/2018 Lee D7/393
2004/0107545 A1 * 6/2004 Worrell G05G 1/10
16/441
2014/0204557 A1 * 7/2014 Cadima F21V 33/0044
362/23.07

(Continued)

Primary Examiner — Ian Simmons

Assistant Examiner — Yolanda Robinson

(74) *Attorney, Agent, or Firm* — Westerman, Hattori,
Daniels & Adrian, LLP

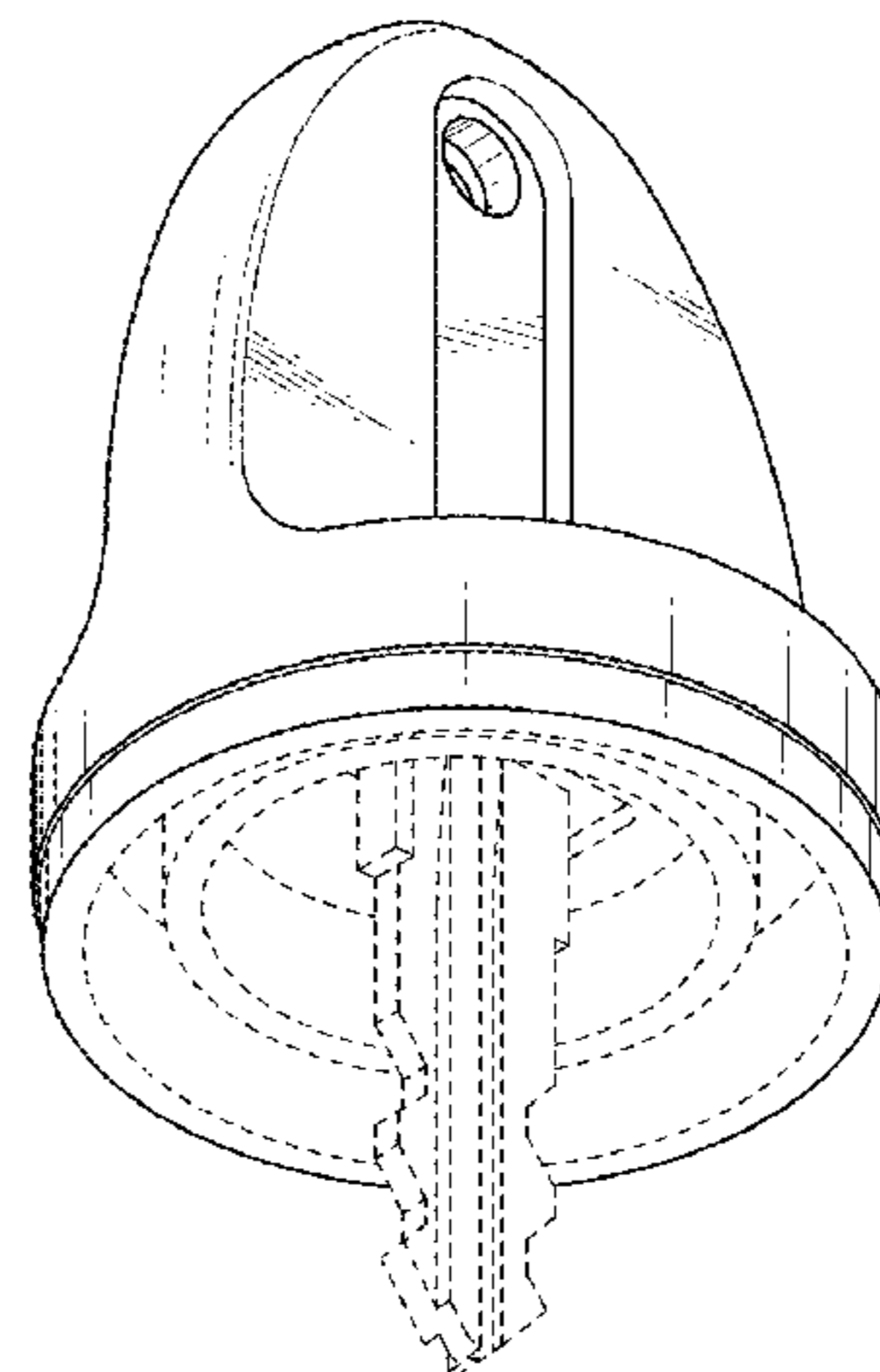
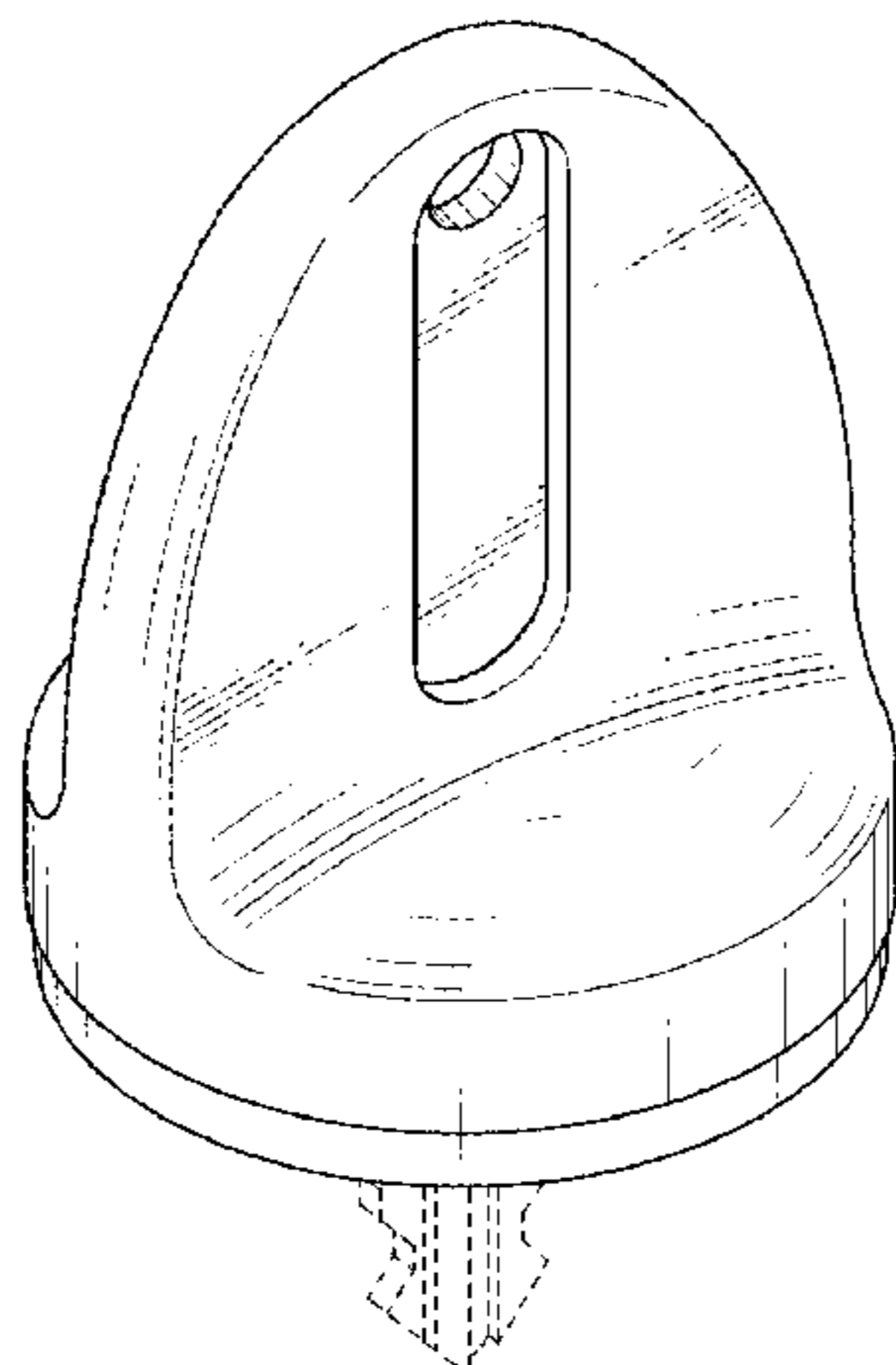
(57) **CLAIM**

The ornamental design for a key, as shown and described.

DESCRIPTION

FIG. 1 is a front top perspective view of a key;
FIG. 2 is a front bottom perspective view thereof;
FIG. 3 is a front elevational view thereof, the rear elevational
view being identical;
FIG. 4 is a right side elevational view thereof, the left side
elevational view being identical;
FIG. 5 is a top plan view thereof; and,
FIG. 6 is a bottom plan view thereof.
The broken lines in the drawings illustrate portions of the
key that form no part of the claimed design.

1 Claim, 6 Drawing Sheets



(56)

References Cited

U.S. PATENT DOCUMENTS

2014/0237790 A1* 8/2014 Messadek G05G 5/005
29/401.1
2015/0370283 A1* 12/2015 Lawson G05G 1/082
74/553
2017/0019958 A1* 1/2017 Kobraei H05B 6/1218

* cited by examiner

FIG. 1

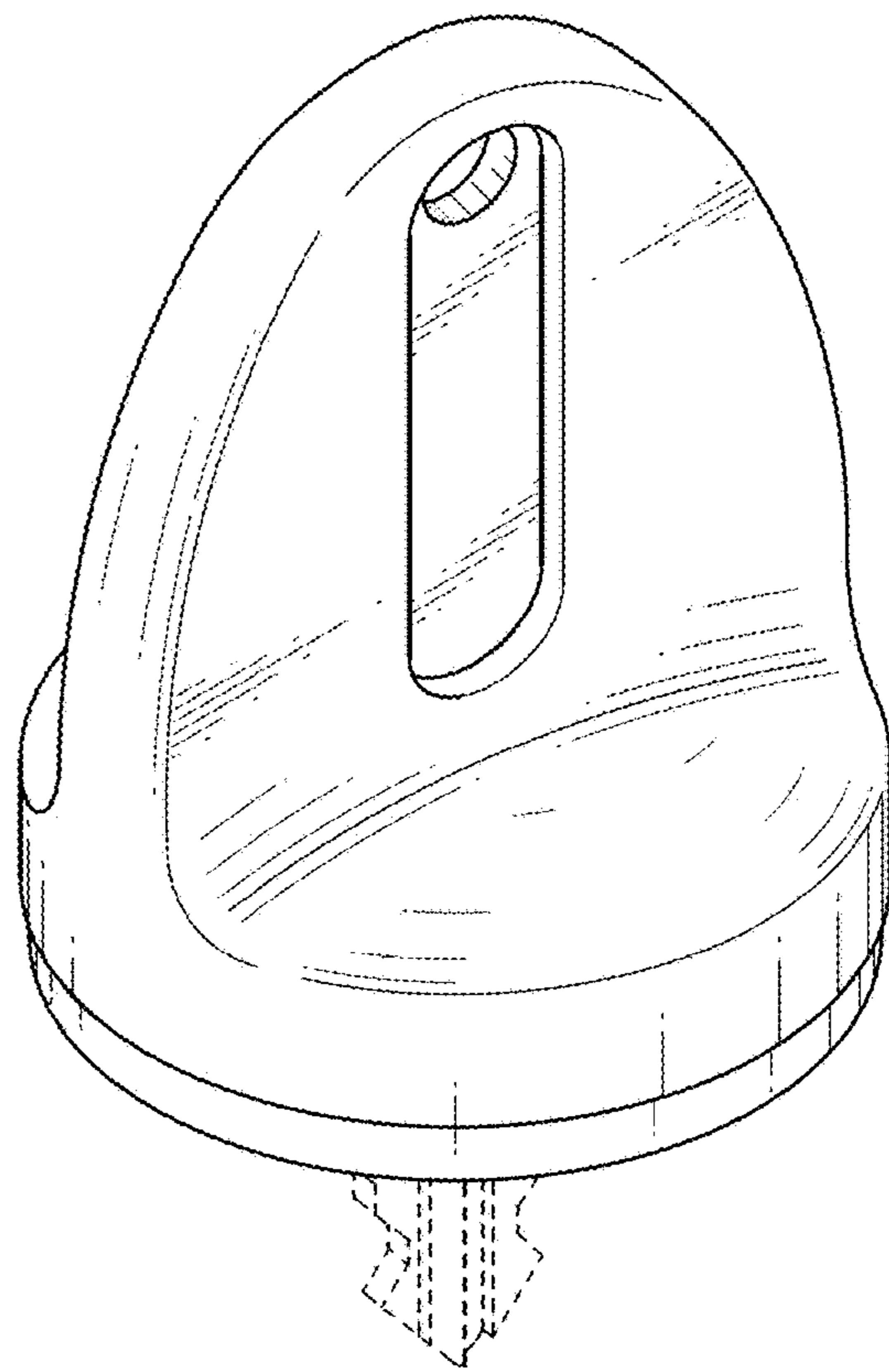


FIG. 2

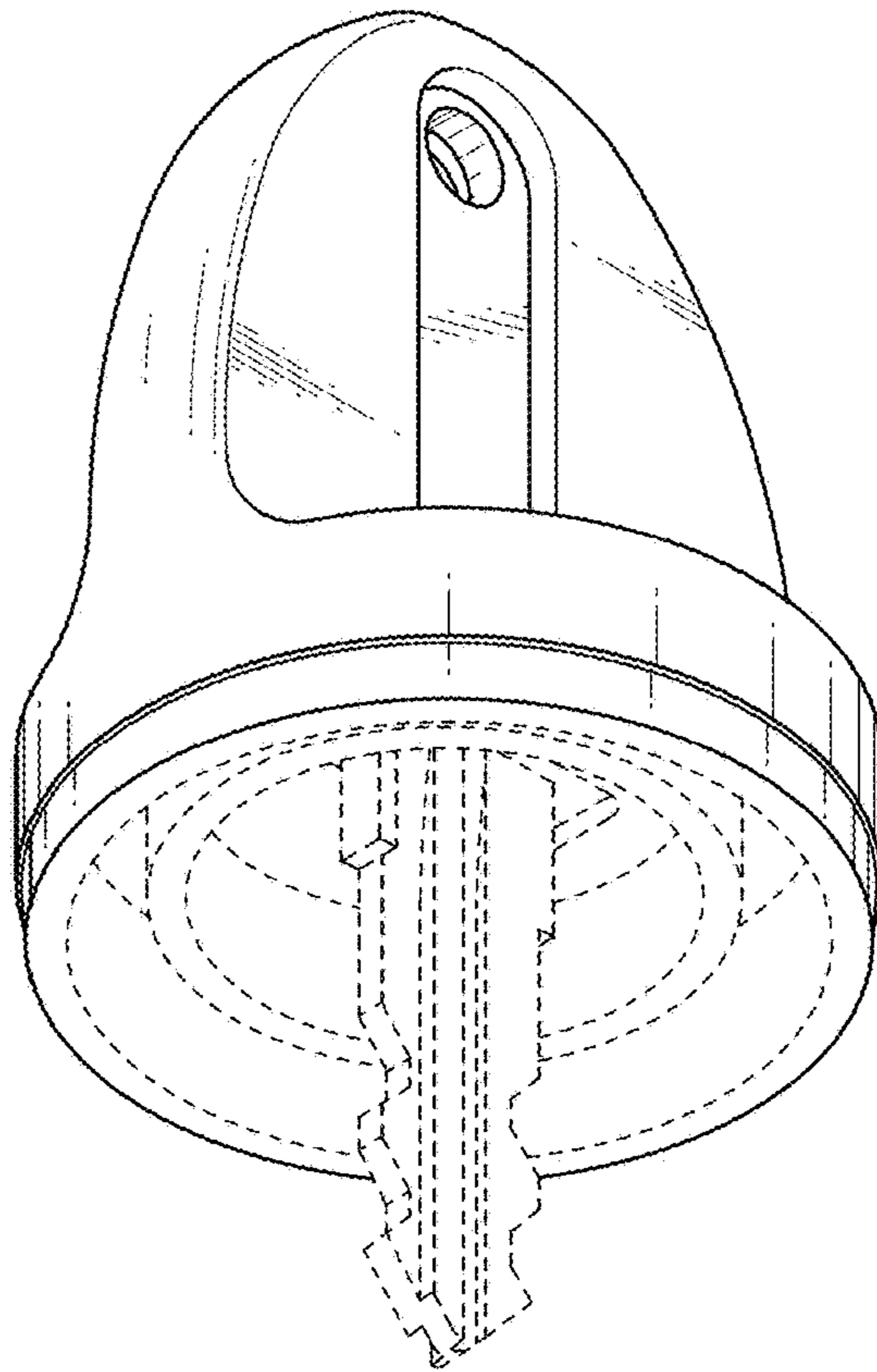


FIG. 3

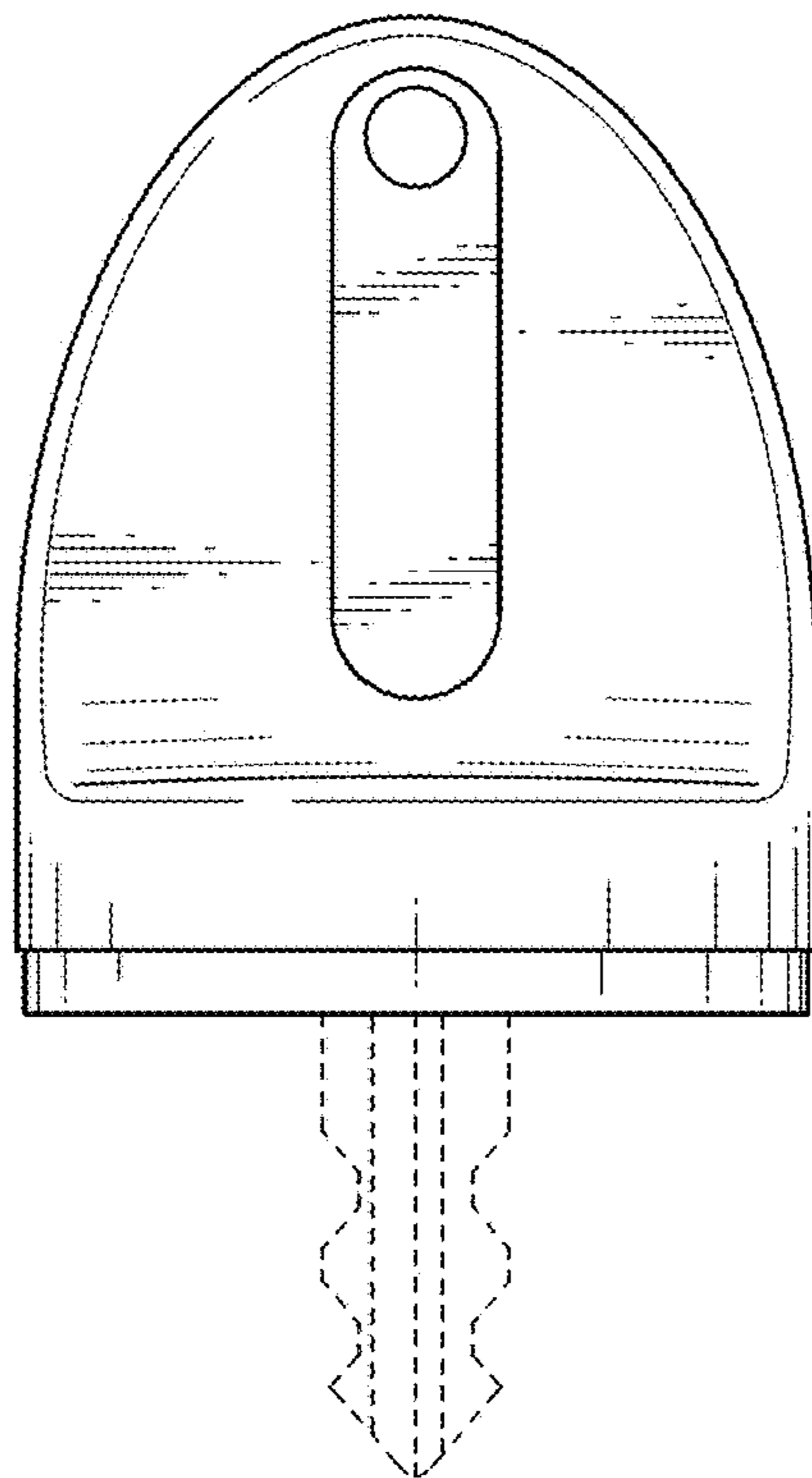


FIG. 4

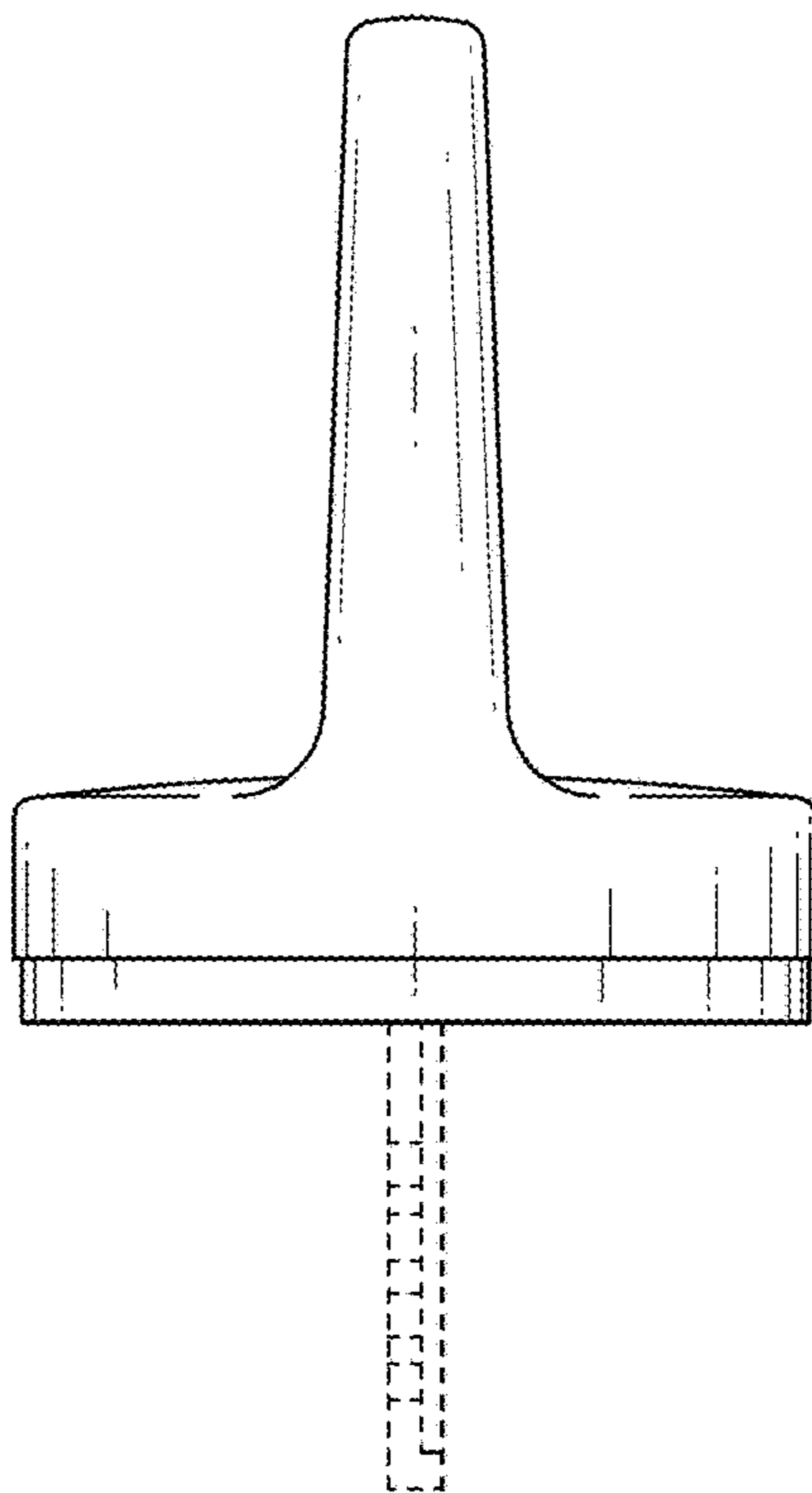


FIG. 5

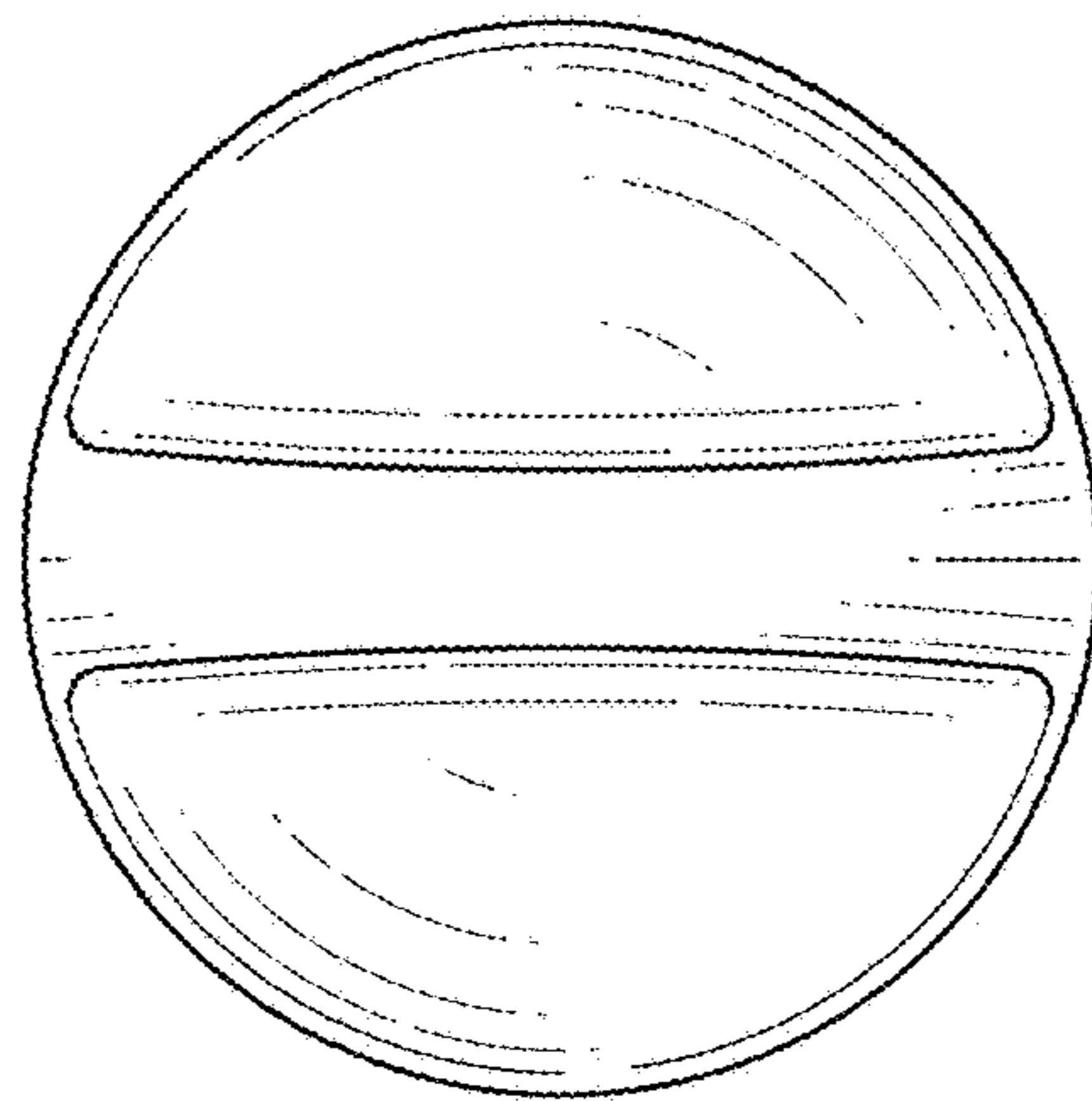


FIG. 6

