



US00D839714S

(12) **United States Design Patent**
Chai et al.

(10) **Patent No.:** **US D839,714 S**

(45) **Date of Patent:** **** Feb. 5, 2019**

- (54) **HINGE**
- (71) Applicants: **Wei-Ning Chai**, Taipei (TW); **I-Chen Chen**, Taipei (TW); **Li-Fang Chen**, Taipei (TW); **Che-Hsien Lin**, Taipei (TW); **Che-Hsien Chu**, Taipei (TW); **Wei-Hao Lan**, Taipei (TW); **Chia-Chi Lin**, Taipei (TW); **Cheng-Shiue Jan**, Taipei (TW)
- (72) Inventors: **Wei-Ning Chai**, Taipei (TW); **I-Chen Chen**, Taipei (TW); **Li-Fang Chen**, Taipei (TW); **Che-Hsien Lin**, Taipei (TW); **Che-Hsien Chu**, Taipei (TW); **Wei-Hao Lan**, Taipei (TW); **Chia-Chi Lin**, Taipei (TW); **Cheng-Shiue Jan**, Taipei (TW)

5,231,734	A *	8/1993	Rude	E05D 11/084
					16/322
D348,823	S *	7/1994	Bisbing	D8/323
5,498,165	A *	3/1996	Tseng	G06F 1/1616
					16/223
D384,948	S *	10/1997	Karidis	D14/439
6,735,823	B2 *	5/2004	Pelletier	E05D 3/122
					16/251
D564,858	S *	3/2008	Radulescu	D8/325
D661,174	S *	6/2012	Ogawa	D8/323
D715,620	S *	10/2014	Tung	D8/323
D734,124	S *	7/2015	Corpuz, Jr.	D8/323
D796,296	S *	9/2017	Kaplan	D8/323
D818,340	S *	5/2018	Smalls	D8/323
10,067,530	B2 *	9/2018	Tazbaz	E05D 3/06
10,073,495	B2 *	9/2018	Sharma	G06F 1/1681
2015/0116917	A1 *	4/2015	Aono	G06F 1/1681
					361/679.04
2016/0205792	A1 *	7/2016	Ahn	H05K 5/0017
					40/779

(73) Assignee: **COMPAL ELECTRONICS, INC.**, Taipei (TW)

* cited by examiner

(**) Term: **15 Years**

Primary Examiner — Cynthia R Underwood

(74) *Attorney, Agent, or Firm* — JCIPRNET

(21) Appl. No.: **29/628,249**

(57) **CLAIM**

The ornamental design for a hinge, as shown and described.

(22) Filed: **Dec. 4, 2017**

(51) **LOC (11) Cl.** **08-06**

(52) **U.S. Cl.**
USPC **D8/323; D14/440**

DESCRIPTION

(58) **Field of Classification Search**
USPC D8/323, 328, 327; 16/374; D14/440
CPC .. E05D 1/00; E05D 11/06; E05D 5/10; E05D 3/02; A47K 13/12
See application file for complete search history.

FIG. 1 is a perspective view of a hinge showing our new design;
FIG. 2 is a front view of FIG. 1;
FIG. 3 is a left side view of FIG. 1;
FIG. 4 is a right side view of FIG. 1;
FIG. 5 is a top view of FIG. 1; and,
FIG. 6 is a bottom view of FIG. 1.

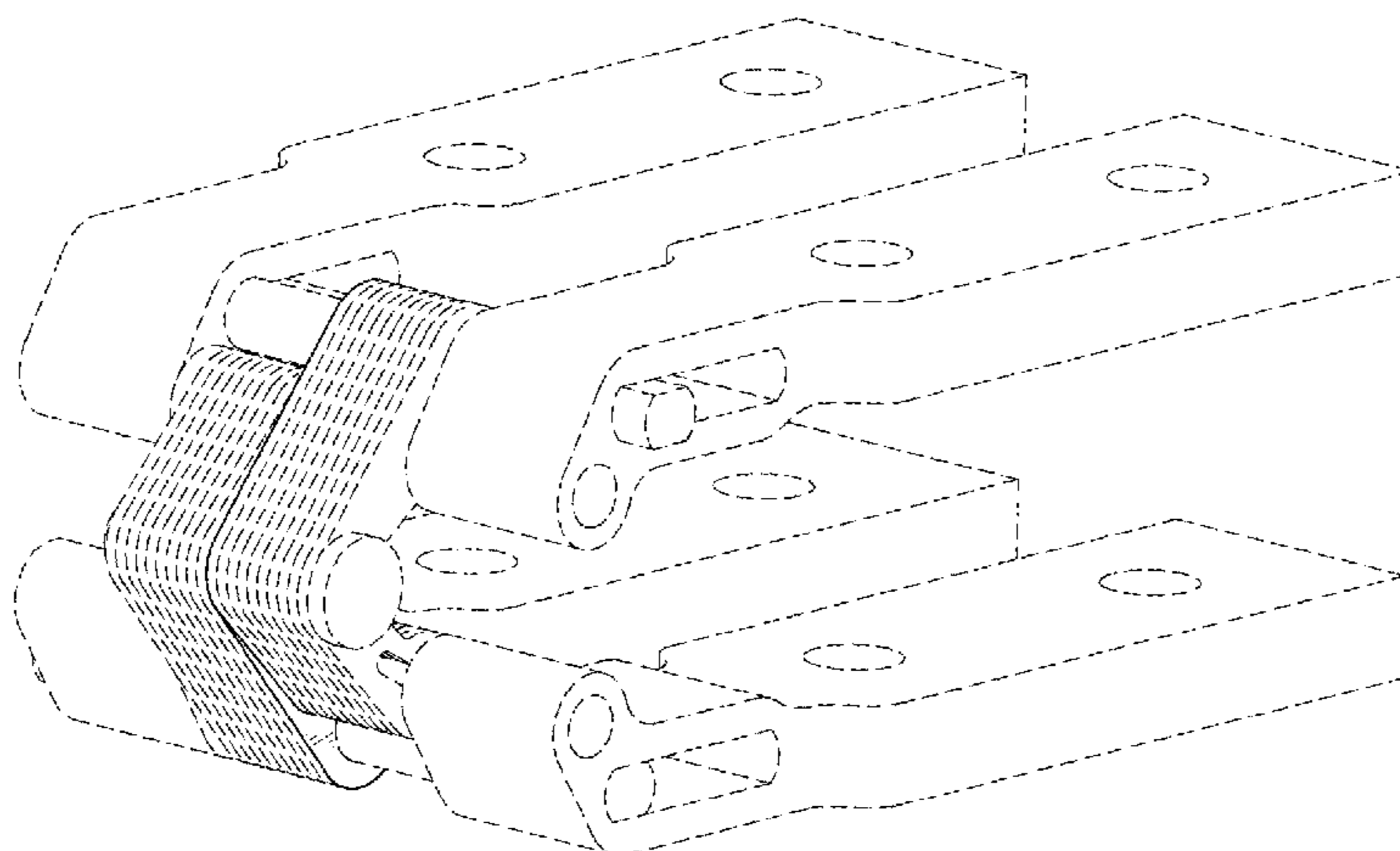
The broken line portions of the hinge in FIGS. 1-6 represent unclaimed portions of the claimed design and form no part thereof.

(56) **References Cited**

U.S. PATENT DOCUMENTS

D187,180	S *	2/1960	Dettinger	D8/323
D222,234	S *	10/1971	Imber	D8/323

1 Claim, 5 Drawing Sheets



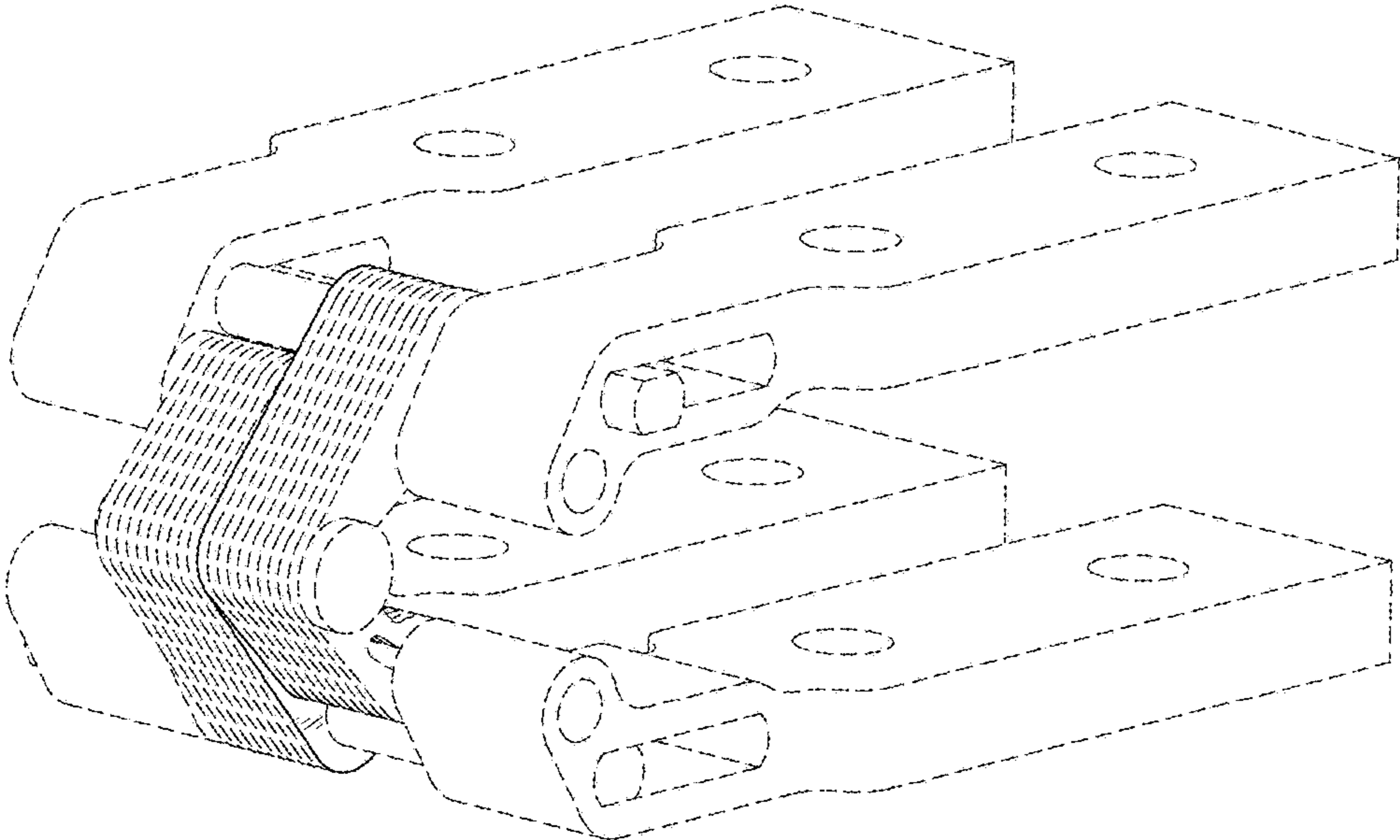


FIG. 1

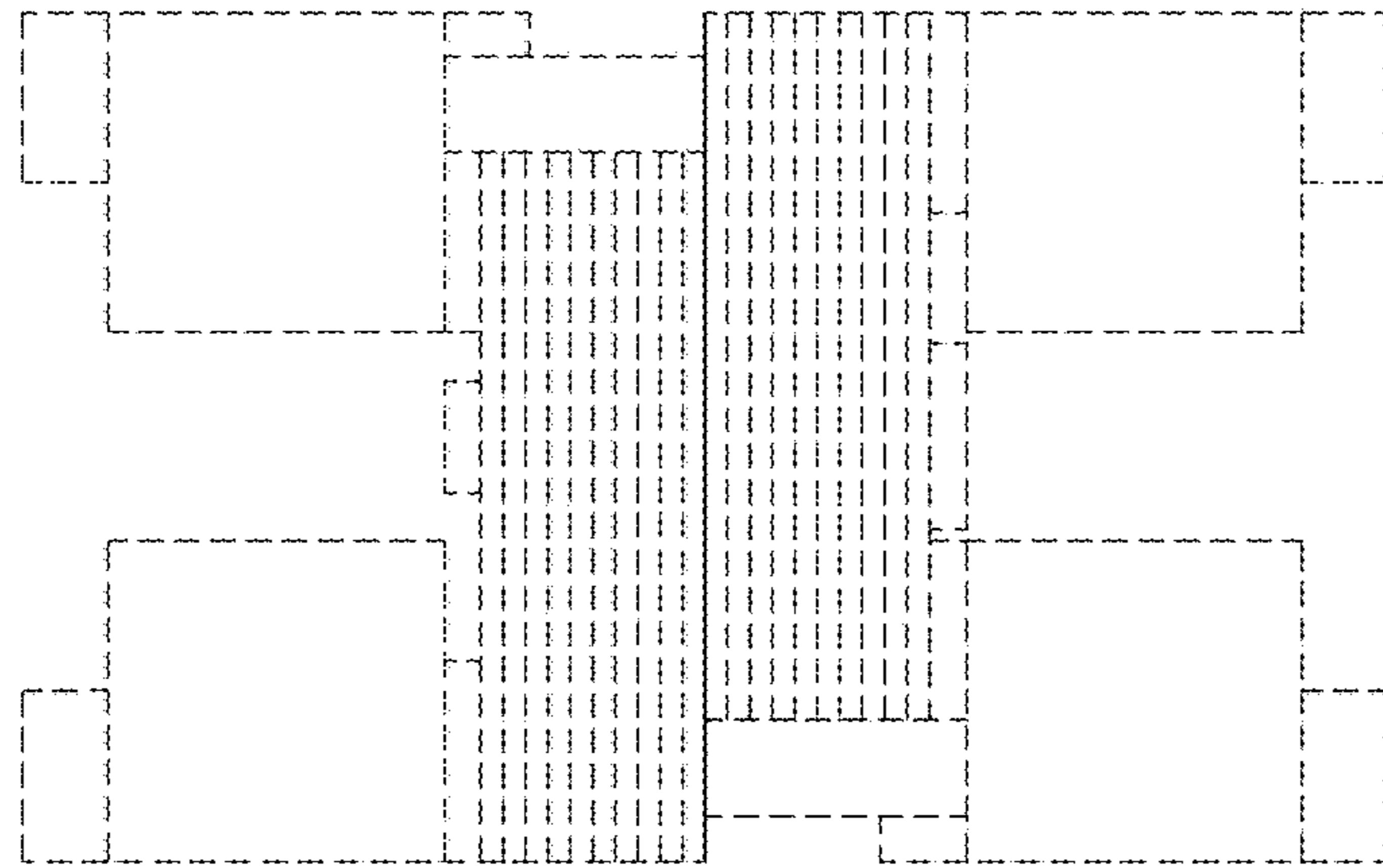


FIG. 2

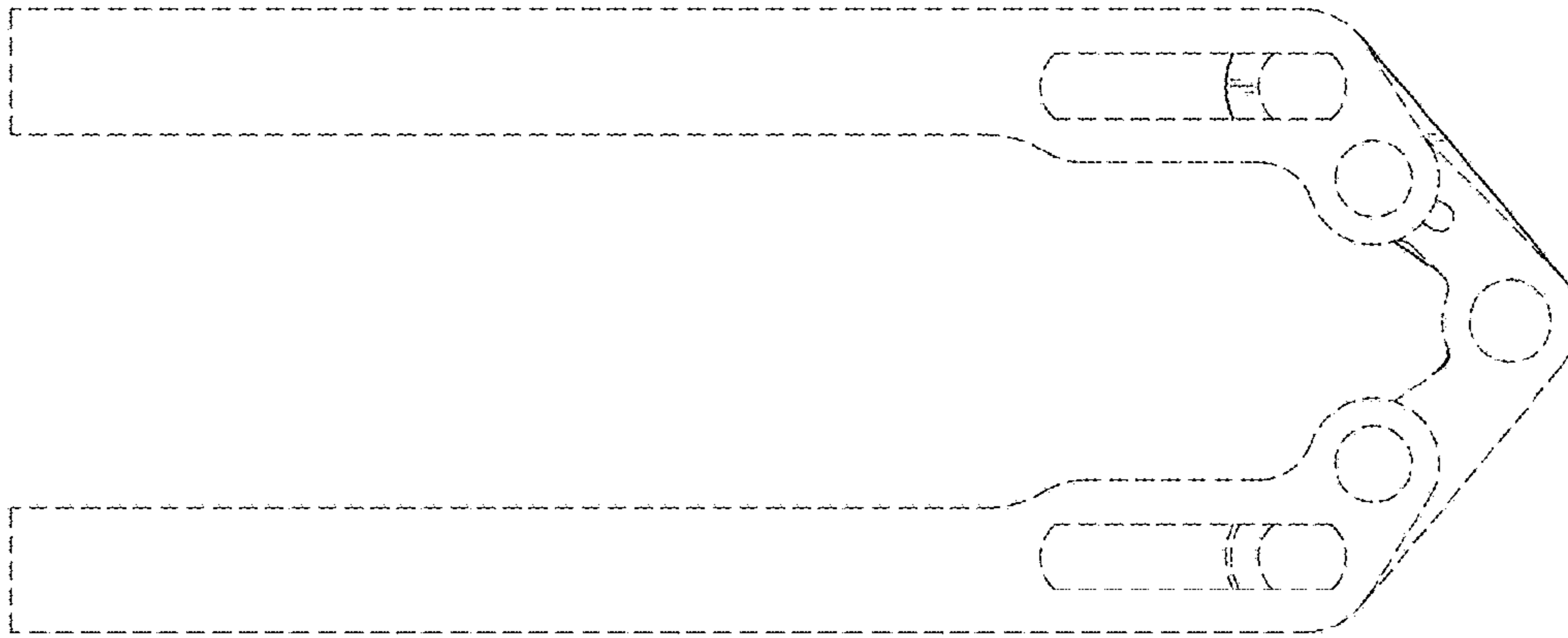


FIG. 3

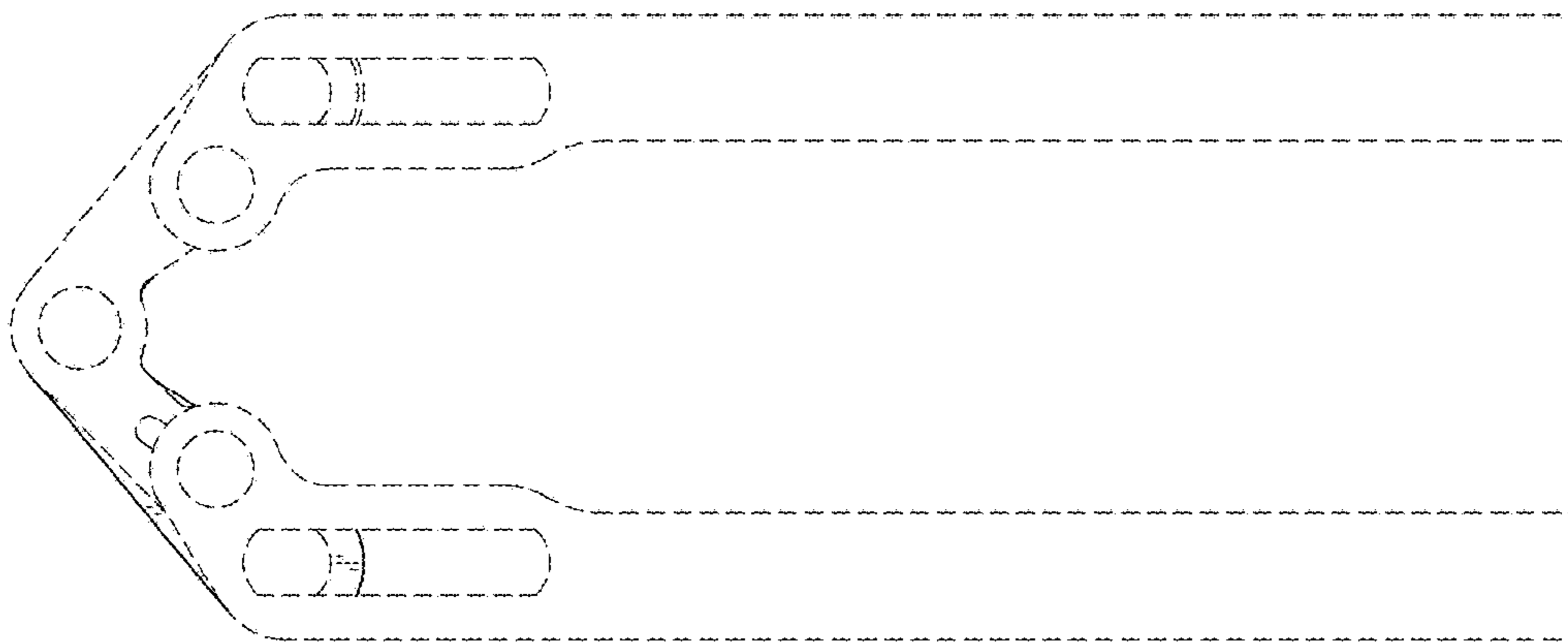


FIG. 4

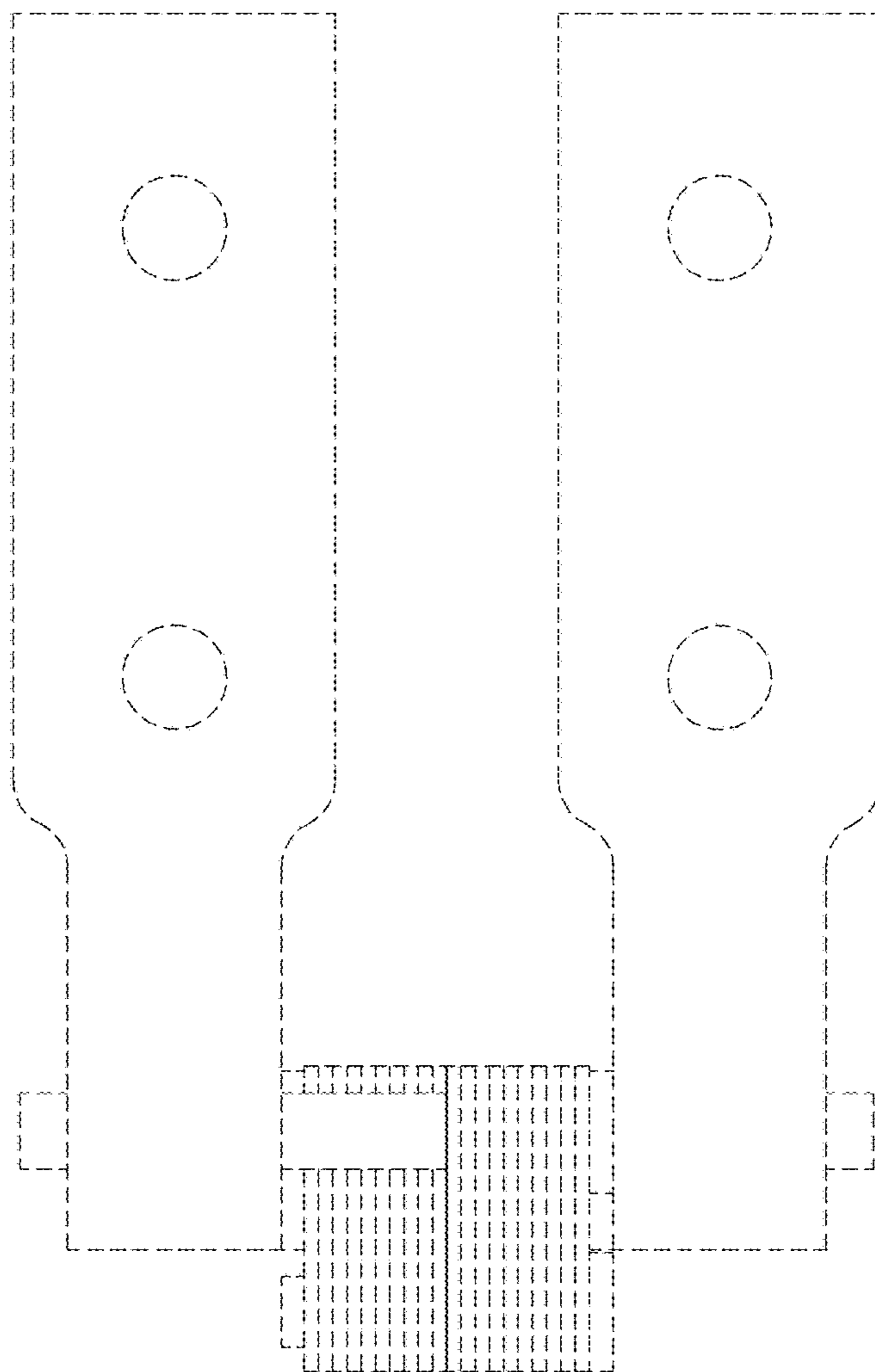


FIG. 5

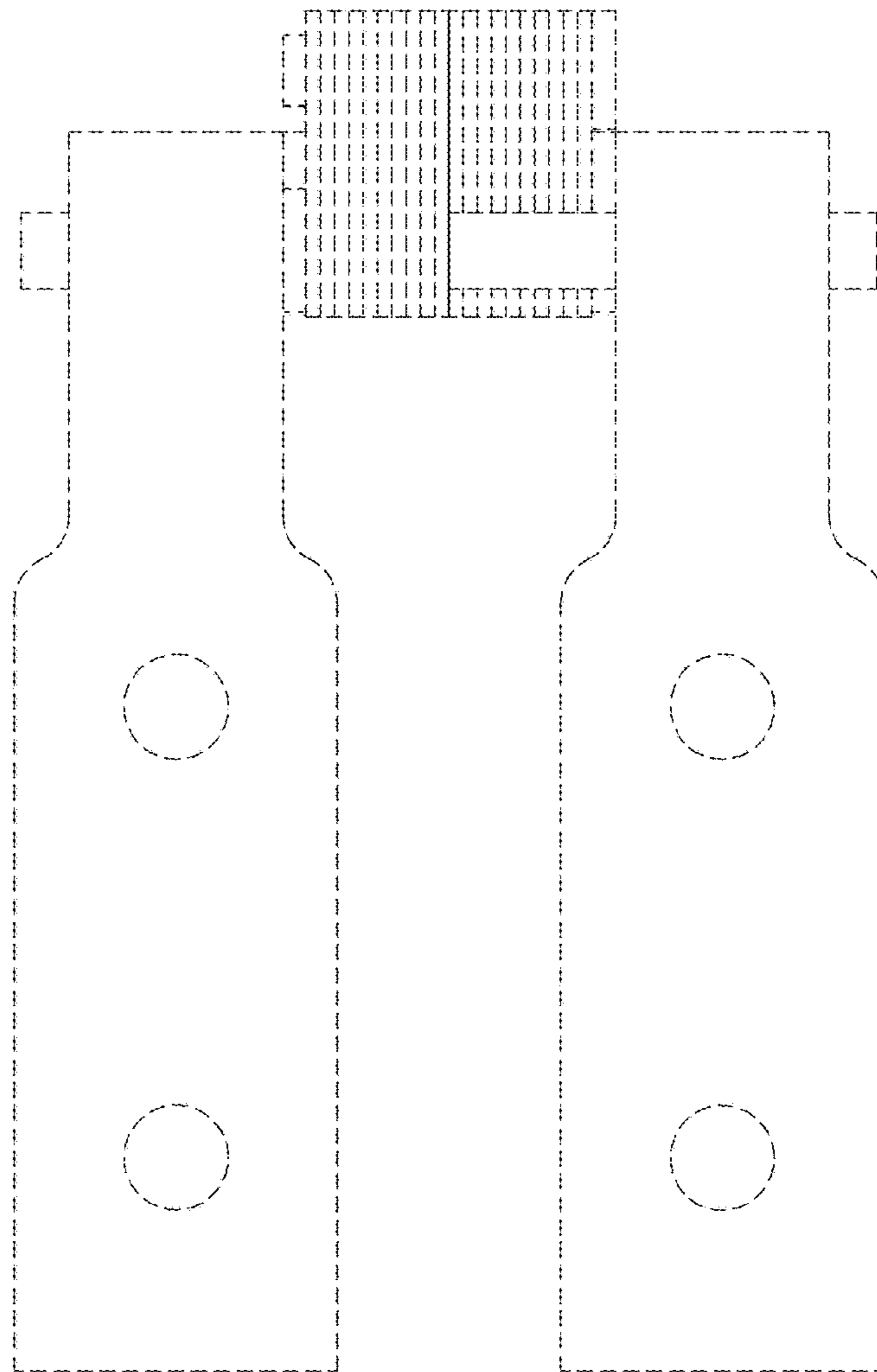


FIG. 6