



US00D839713S

(12) **United States Design Patent** (10) **Patent No.:** **US D839,713 S**
Woolley (45) **Date of Patent:** **** Feb. 5, 2019**

(54) **OFFSET CONCEALED HINGE**
(71) Applicant: **Centor Design Pty Ltd**, Eagle Farm (AU)
(72) Inventor: **Noel Anthony Woolley**, Eagle Farm (AU)
(73) Assignee: **Centor Design Pty Ltd**, Eagle Farm (AU)

5,522,314 A 6/1996 Newman, Jr.
D379,753 S 6/1997 Honda
5,659,999 A 8/1997 Benson
5,758,704 A 6/1998 Elrod
D396,626 S * 8/1998 Francom D8/323
D398,512 S 9/1998 Bethurem
D443,196 S 6/2001 Sosa
6,742,565 B2 6/2004 Badley
6,938,666 B1 9/2005 Ulriksen et al.
7,114,292 B2 * 10/2006 Chiang E05D 5/0246
49/388
D533,433 S * 12/2006 Loggen D8/329
D534,053 S * 12/2006 Sozzi D8/329
D544,779 S 6/2007 Loggen
7,240,400 B2 7/2007 Bonham
D562,108 S 2/2008 Pester et al.
D563,199 S 3/2008 Liao

(**) Term: **15 Years**

(21) Appl. No.: **29/611,301**

(22) Filed: **Jul. 20, 2017**

(51) **LOC (11) Cl.** **08-06**

(52) **U.S. Cl.**
USPC **D8/323**

(58) **Field of Classification Search**
USPC D8/323, 327, 328; 16/269, 227, 258
CPC E05D 5/12; E05D 11/082; E05D 1/02;
B64G 1/222
See application file for complete search history.

(56) **References Cited**

U.S. PATENT DOCUMENTS

262,398 A	8/1882	Gerald
490,448 A	1/1893	Lugrin
520,065 A	5/1894	Lugrin
1,121,898 A	12/1914	Davis
1,330,447 A	2/1920	Pech
1,385,131 A	7/1921	Horn
1,760,612 A	5/1930	Trott
2,013,500 A	9/1935	O'Connor
3,386,489 A	6/1968	Denton et al.
4,406,519 A	9/1983	Shaw
4,691,753 A	9/1987	Baier
4,819,295 A	4/1989	Kaftan
4,823,859 A	4/1989	Park
5,390,596 A	2/1995	Farr

FOREIGN PATENT DOCUMENTS

BE	902207 A1	8/1985
CA	2027827 A1	4/1991

(Continued)

Primary Examiner — Cynthia R Underwood
(74) *Attorney, Agent, or Firm* — Goodwin Procter LLP

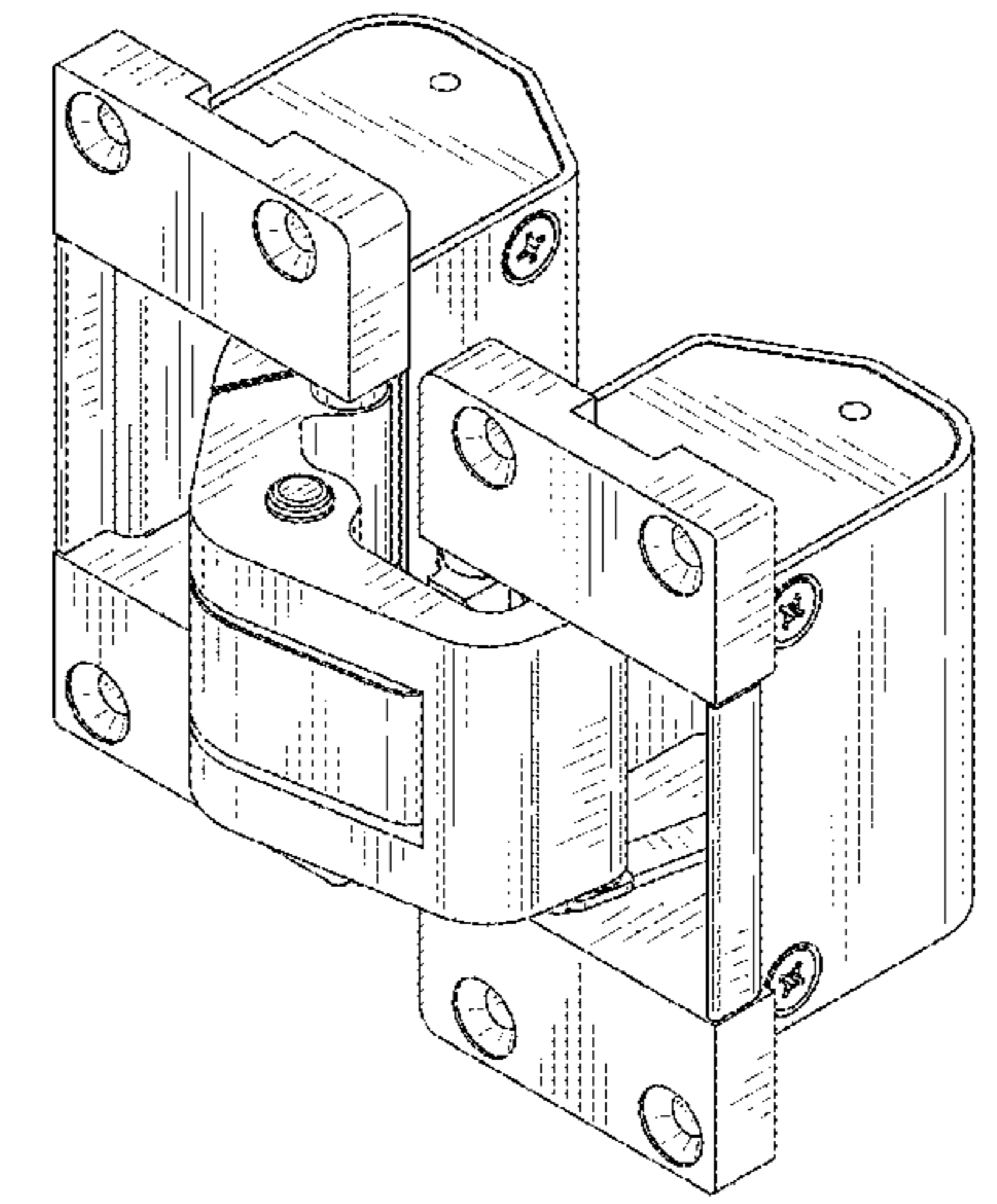
(57) **CLAIM**

The ornamental design for an offset concealed hinge, as shown and described.

DESCRIPTION

FIG. 1 is a top front perspective view of an offset concealed hinge;
FIG. 2 is a front view of the offset concealed hinge;
FIG. 3 is a rear view of the offset concealed hinge;
FIG. 4 is a right side view of the offset concealed hinge;
FIG. 5 is a left side view of the offset concealed hinge;
FIG. 6 is a top view of the offset concealed hinge; and,
FIG. 7 is a bottom view of the offset concealed hinge.

1 Claim, 4 Drawing Sheets



(56)

References Cited

2014/0007378 A1 1/2014 Pacini et al.

U.S. PATENT DOCUMENTS

FOREIGN PATENT DOCUMENTS

D588,899 S * 3/2009 Lucchini D8/326
 7,710,646 B2 5/2010 Stewart et al.
 D624,388 S 9/2010 Eland
 D661,174 S * 6/2012 Ogawa D8/323
 D679,570 S 4/2013 Farnsworth et al.
 D699,093 S 2/2014 Farnsworth et al.
 D712,717 S 9/2014 Thrush et al.
 D730,149 S * 5/2015 Smith D8/323
 D750,465 S 3/2016 Smith
 D821,176 S 6/2018 Stuart
 2002/0116787 A1 * 8/2002 Miller E05D 5/0246
 16/252
 2004/0154758 A1 8/2004 Cheng et al.
 2005/0051283 A1 3/2005 Chatellard et al.
 2005/0077017 A1 4/2005 Ramsey
 2005/0161175 A1 7/2005 Tussinger
 2006/0090858 A1 5/2006 Heidenreich
 2006/0162124 A1 7/2006 Lin
 2008/0062516 A1 3/2008 Stewart et al.
 2008/0163988 A1 7/2008 Hicks et al.
 2010/0107369 A1 5/2010 Li et al.

CN 2237105 Y 10/1996
 DE 3936913 A1 5/1991
 DE 19807541 C1 7/1999
 EP 0207040 A1 12/1986
 EP 0429898 A2 6/1991
 EP 0911476 A1 4/1999
 EP 0911476 B1 9/2002
 EP 13179466 12/2013
 EP 077187977.7 8/2016
 FR 2546226 A1 11/1984
 FR 2558518 A1 7/1985
 FR 2563860 A1 11/1985
 FR 2594173 A1 8/1987
 FR 2686372 A1 7/1993
 JP 9303068 11/1997
 JP 10-072988 3/1998
 WO WO-1987/004485 A1 7/1987
 WO PCT/AU2007/000731 5/2007

* cited by examiner

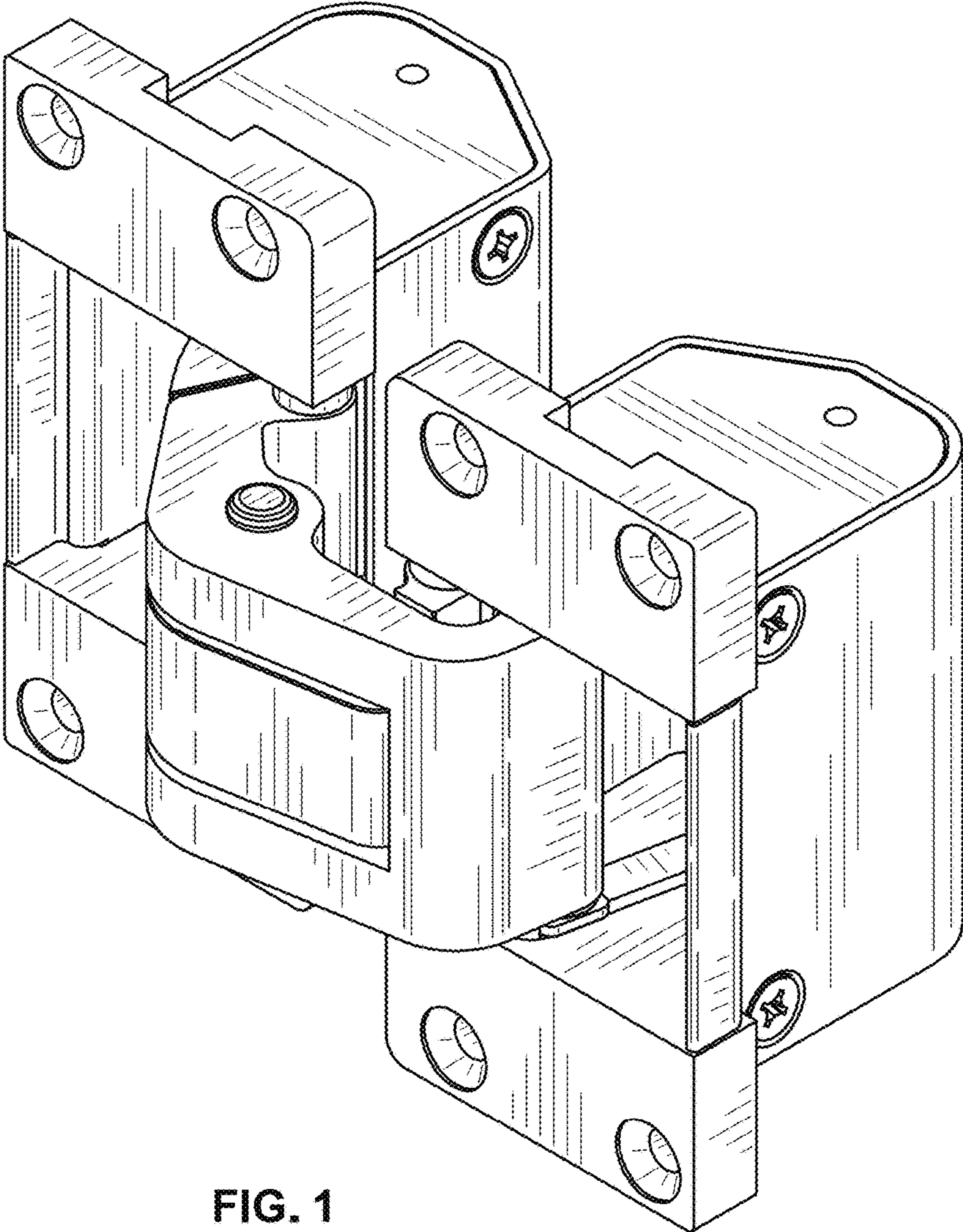


FIG. 1

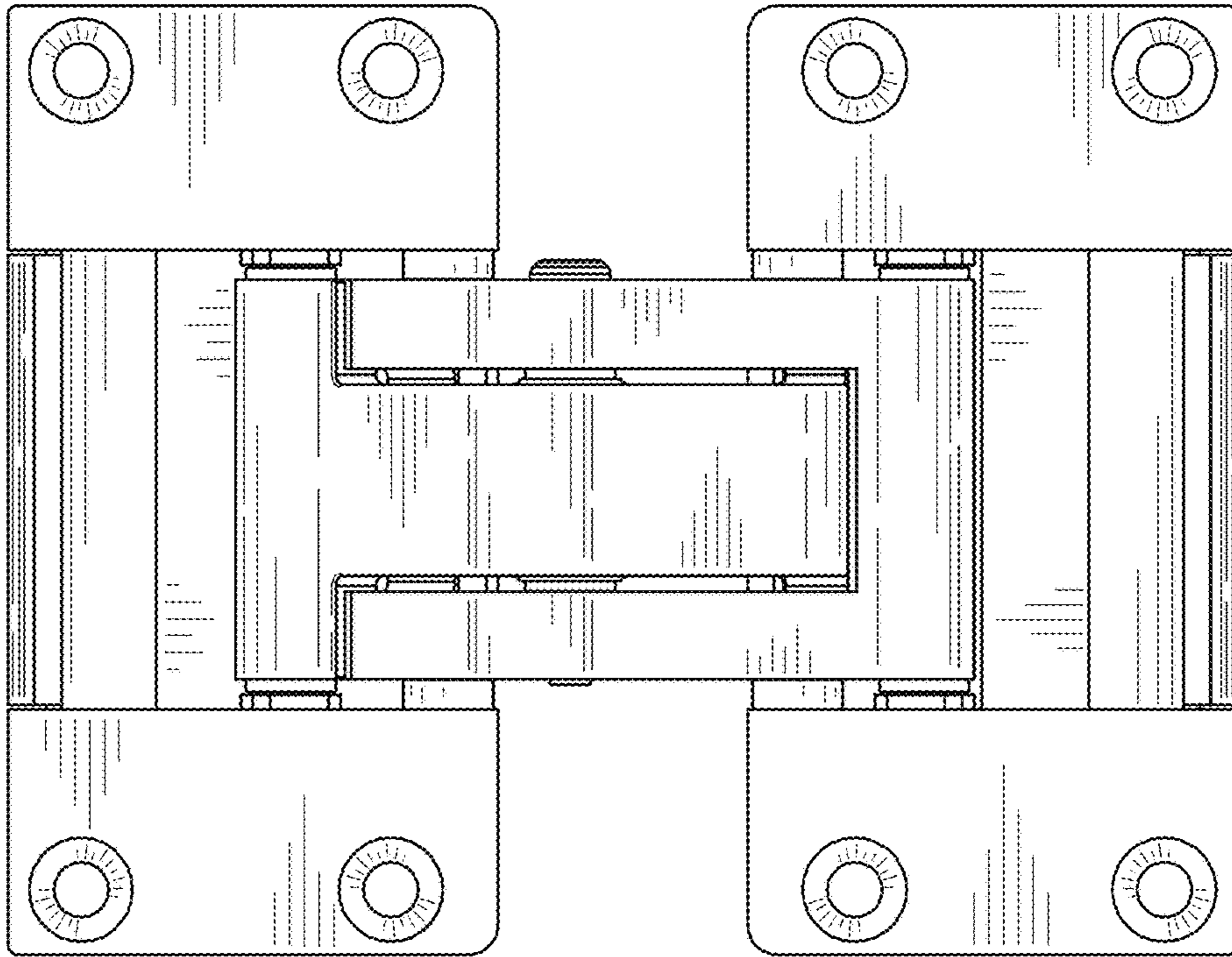


FIG. 2

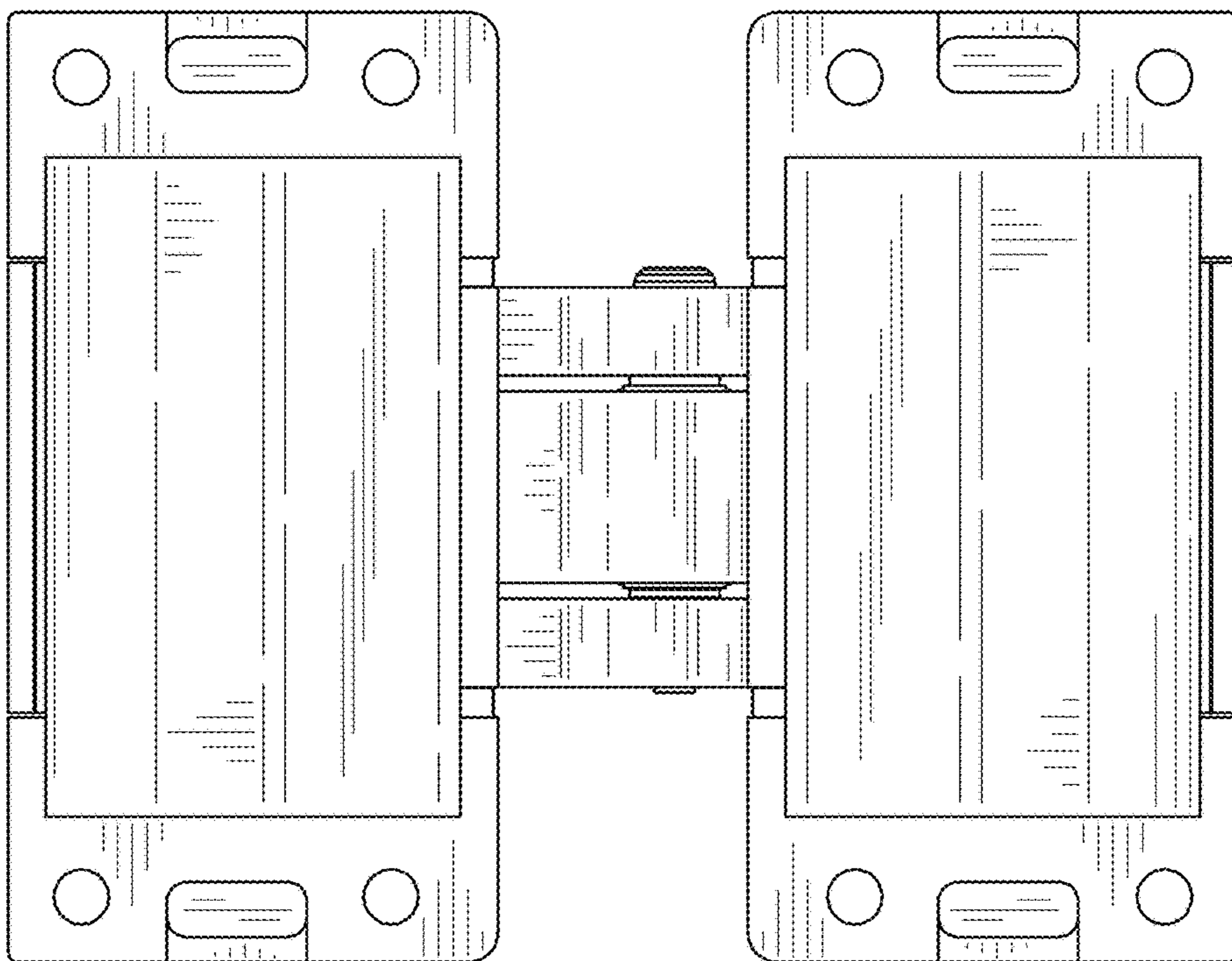


FIG. 3

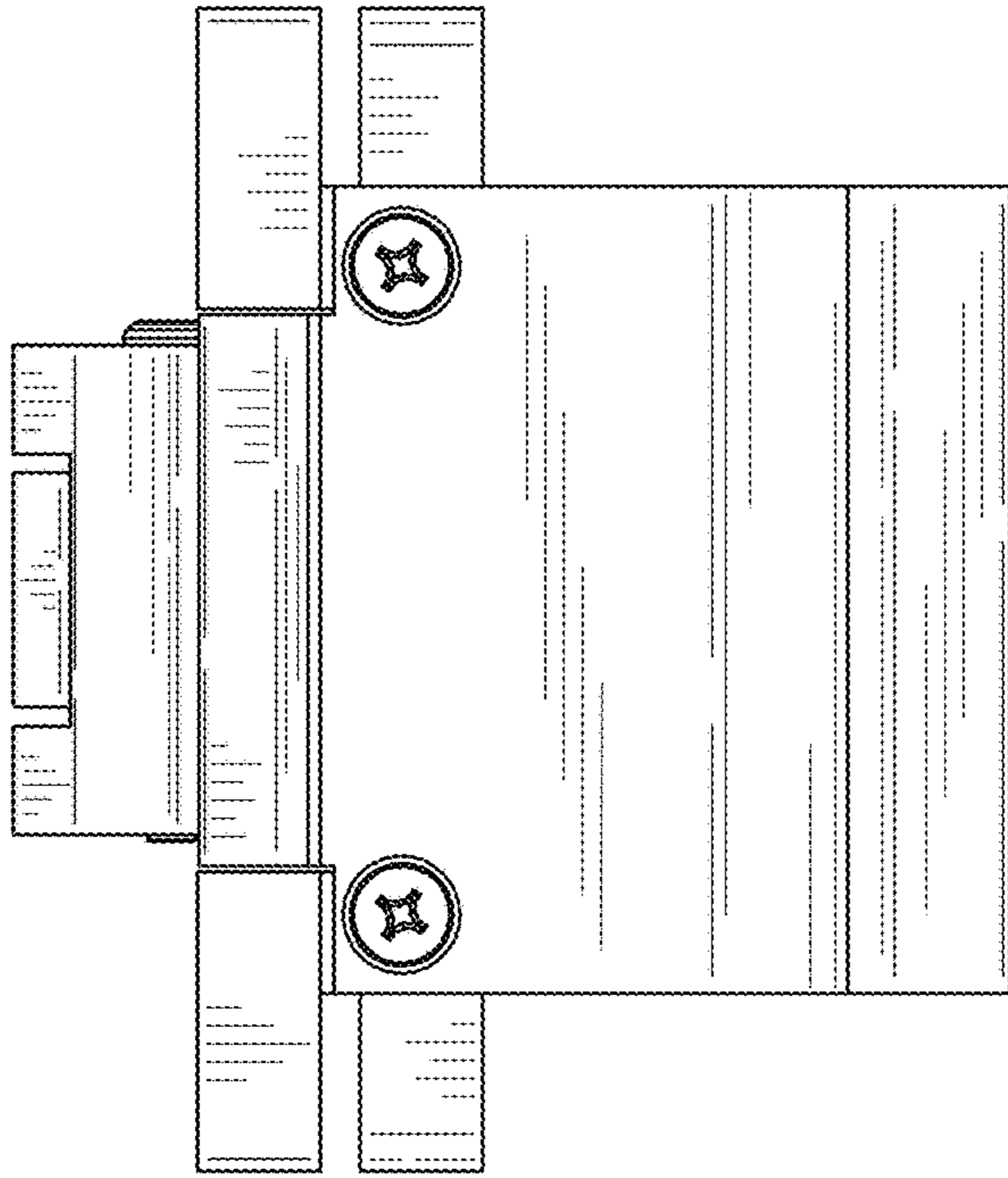


FIG. 4

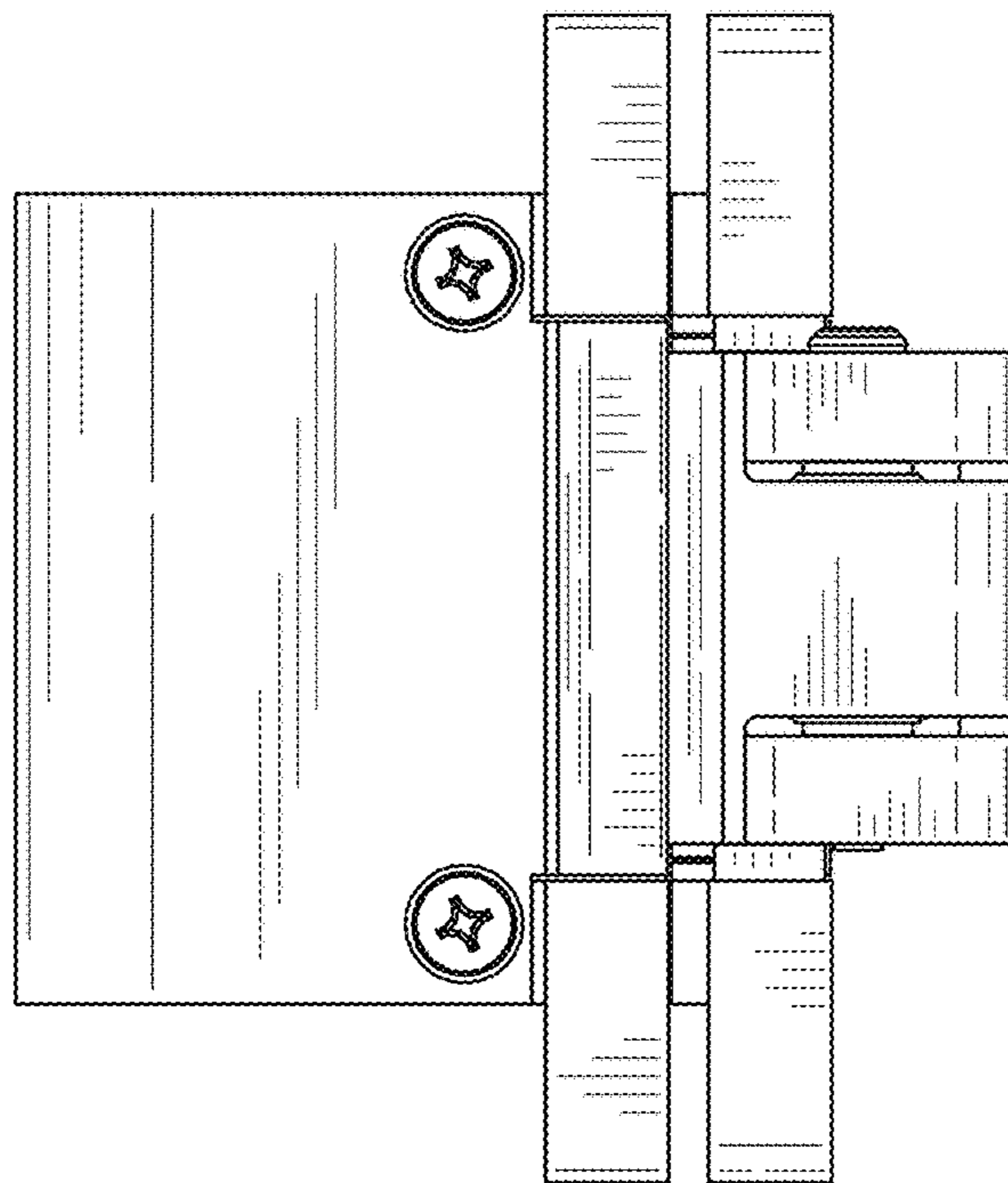


FIG. 5

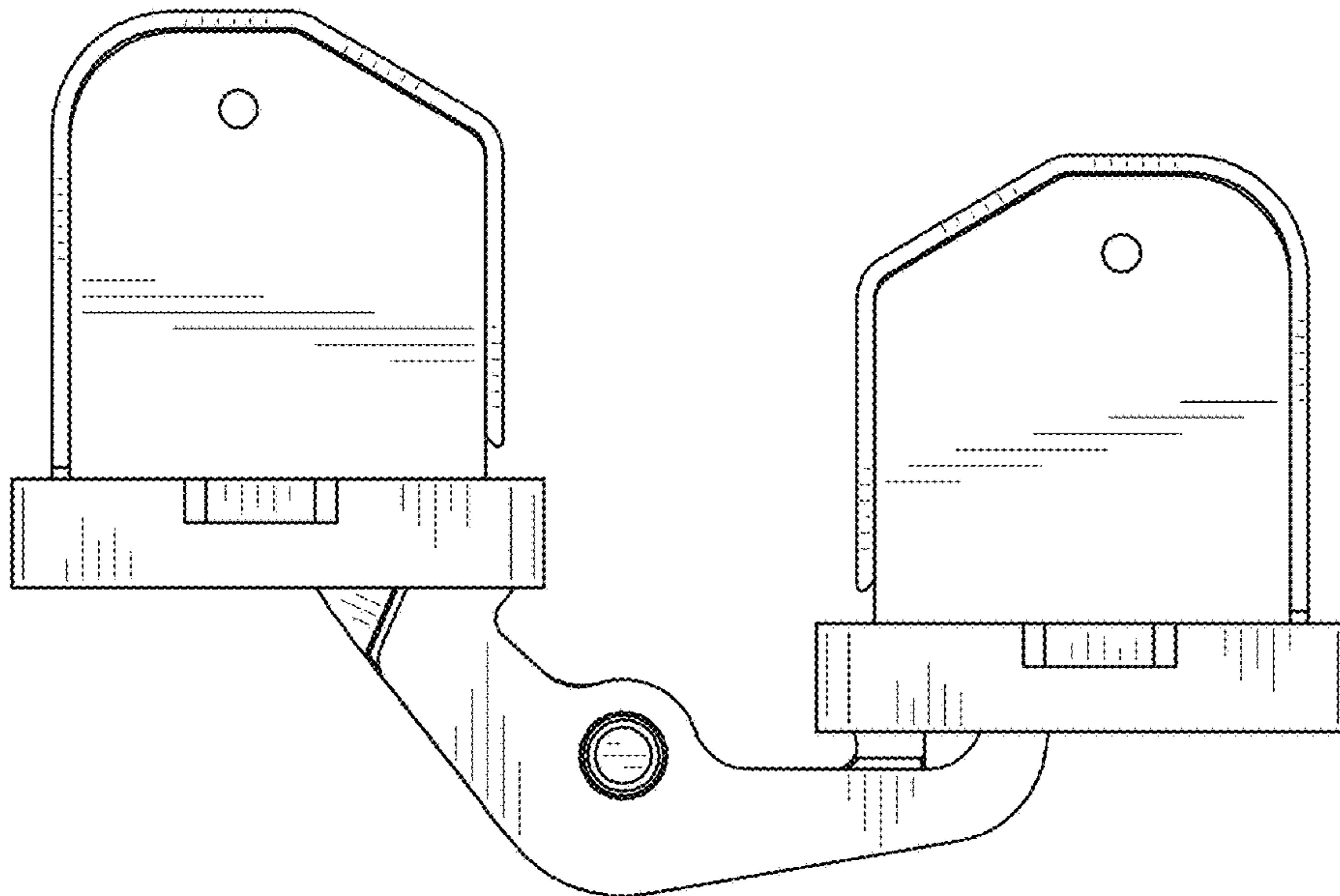


FIG. 6

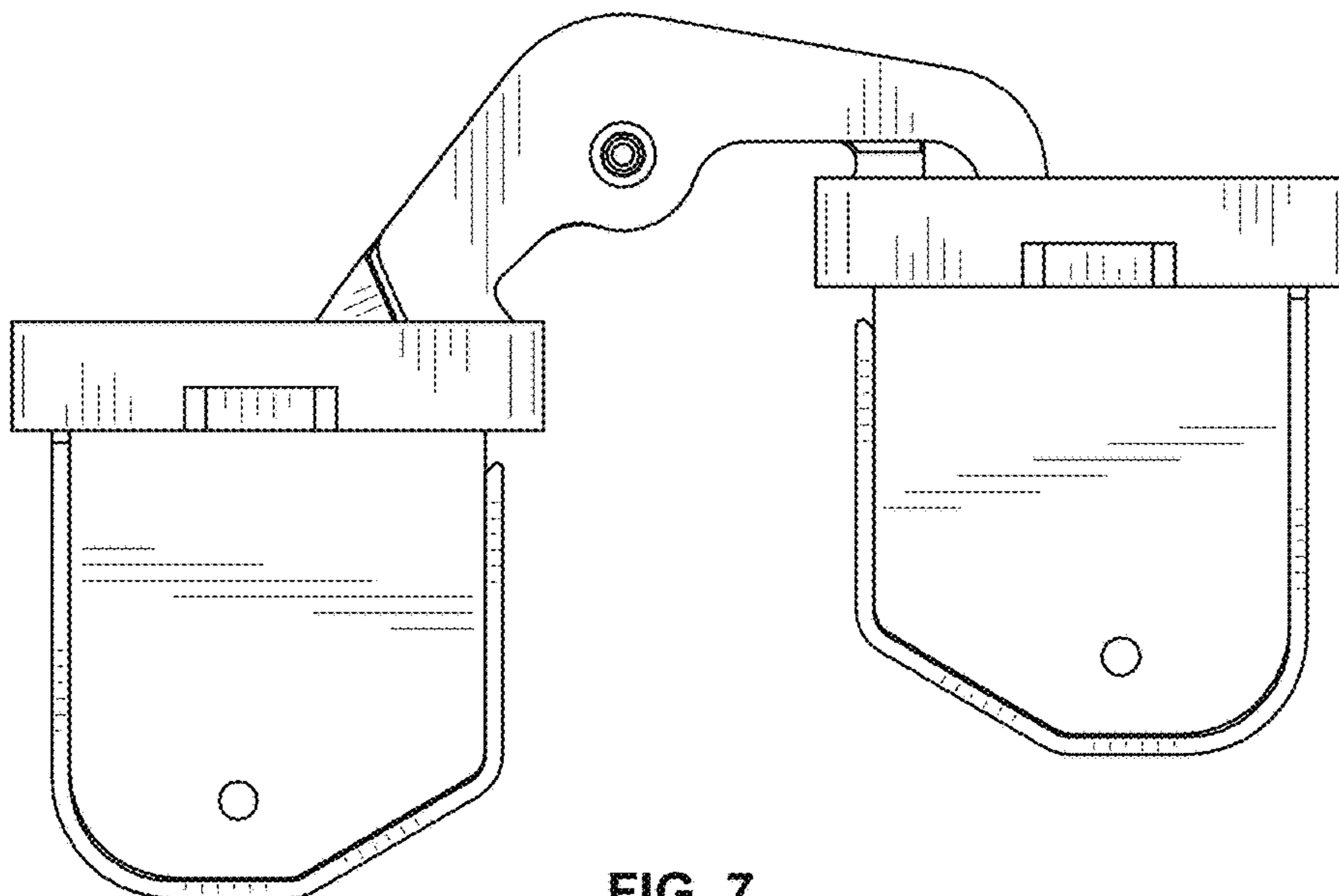


FIG. 7