



US00D839712S

(12) **United States Design Patent** (10) **Patent No.:** **US D839,712 S**
Woolley (45) **Date of Patent:** **** Feb. 5, 2019**

(54) **CONCEALED HINGE**
(71) Applicant: **Centor Design Pty Ltd**, Eagle Farm (AU)
(72) Inventor: **Noel Anthony Woolley**, Eagle Farm (AU)
(73) Assignee: **Centor Design Pty Ltd**, Eagle Farm (AU)

(**) Term: **15 Years**
(21) Appl. No.: **29/611,299**

(22) Filed: **Jul. 20, 2017**
(51) **LOC (11) Cl.** **08-06**
(52) **U.S. Cl.**
USPC **D8/323**
(58) **Field of Classification Search**
USPC D8/323, 327, 328; 16/269, 227, 258
CPC E05D 5/12; E05D 11/082; E05D 1/02; B64G 1/22
See application file for complete search history.

5,522,314 A 6/1996 Newman, Jr.
D379,753 S 6/1997 Honda
5,659,999 A 8/1997 Benson
5,758,704 A 6/1998 Elrod
D396,626 S * 8/1998 Francom D8/323
D398,512 S 9/1998 Bethurem
D443,196 S 6/2001 Sosa
6,742,565 B2 6/2004 Badley
6,938,666 B1 9/2005 Ulriksen et al.
7,114,292 B2 * 10/2006 Chiang E05D 5/0246 49/388
D533,433 S * 12/2006 Loggen D8/329
D534,053 S * 12/2006 Sozzi D8/329
D544,779 S 6/2007 Loggen
7,240,400 B2 7/2007 Bonham
D562,108 S 2/2008 Pester et al.
D563,199 S 3/2008 Liao
(Continued)

FOREIGN PATENT DOCUMENTS

BE 902207 A1 8/1985
CA 2027827 A1 4/1991
(Continued)

Primary Examiner — Cynthia R Underwood
(74) *Attorney, Agent, or Firm* — Goodwin Procter LLP

(56) **References Cited**
U.S. PATENT DOCUMENTS

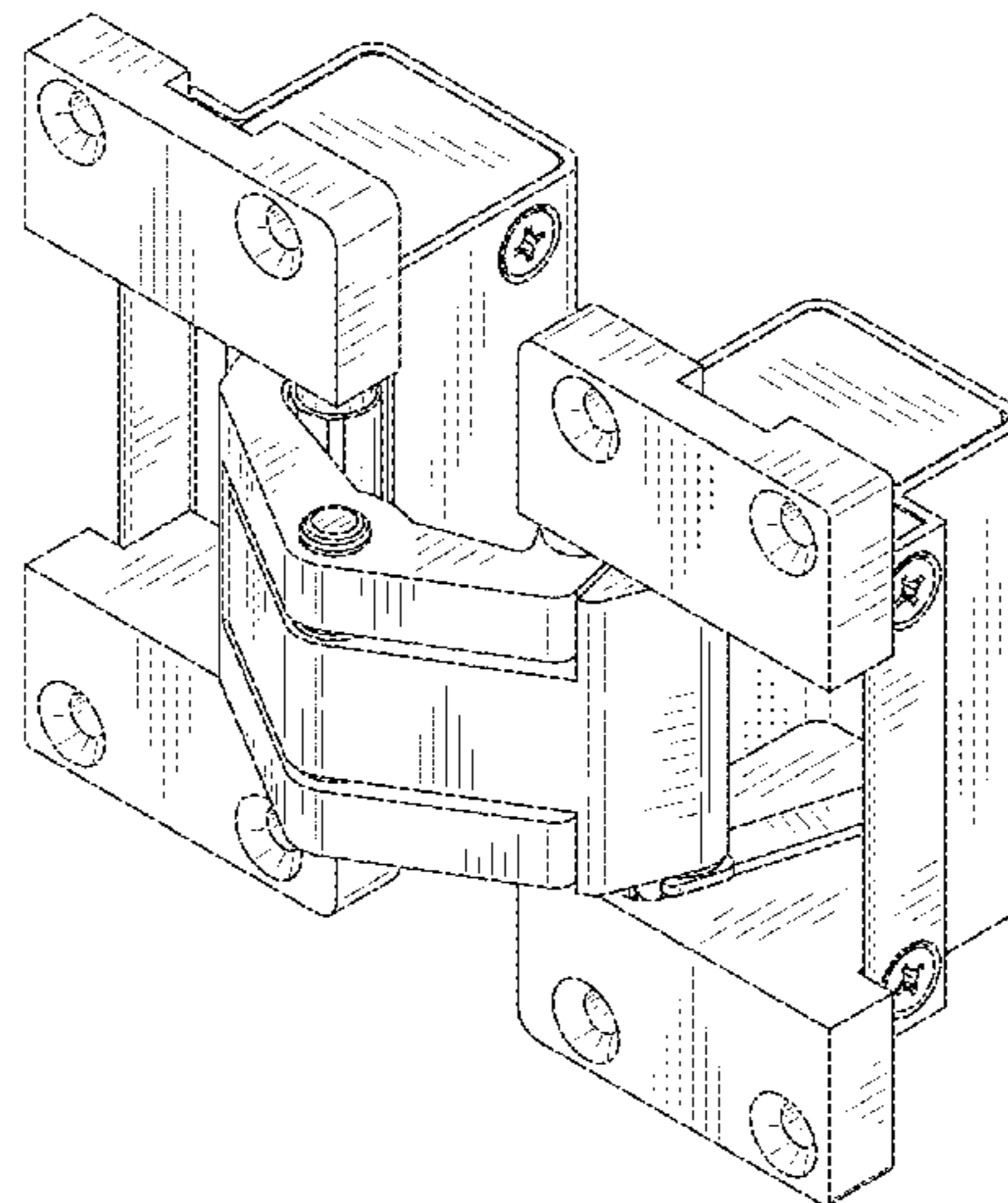
262,398 A 8/1882 Gerald
490,448 A 1/1893 Lugin
520,065 A 5/1894 Lugin
1,121,898 A 12/1914 Davis
1,330,447 A 2/1920 Pech
1,385,131 A 7/1921 Horn
1,760,612 A 5/1930 Trott
2,013,500 A 9/1935 O'Connor
3,386,489 A 6/1968 Denton et al.
4,406,519 A 9/1983 Shaw
4,691,753 A 9/1987 Baier
4,819,295 A 4/1989 Kaftan
4,823,859 A 4/1989 Park
5,390,596 A 2/1995 Farr

(57) **CLAIM**
The ornamental design for a concealed hinge, as shown and described.

DESCRIPTION

FIG. 1 is a top front perspective view of a concealed hinge;
FIG. 2 is a front view of the concealed hinge;
FIG. 3 is a rear view of the concealed hinge;
FIG. 4 is a tight side view of the concealed hinge;
FIG. 5 is a left side view of the concealed hinge;
FIG. 6 is a top view of the concealed hinge; and,
FIG. 7 is a bottom view of the concealed hinge.

1 Claim, 4 Drawing Sheets



(56)

References Cited

U.S. PATENT DOCUMENTS

D588,899 S * 3/2009 Lucchini D8/326
 7,710,646 B2 5/2010 Stewart et al.
 D624,388 S 9/2010 Eland
 D661,174 S * 6/2012 Ogawa D8/323
 D679,570 S 4/2013 Farnsworth et al.
 D699,093 S 2/2014 Farnsworth et al.
 D712,717 S 9/2014 Thrush et al.
 D730,149 S * 5/2015 Smith D8/323
 D750,465 S 3/2016 Smith
 D821,176 S * 6/2018 Stuart D8/323
 2002/0116787 A1 * 8/2002 Miller E05D 5/0246
 16/252
 2004/0154758 A1 8/2004 Cheng et al.
 2005/0051283 A1 3/2005 Chatellard et al.
 2005/0077017 A1 4/2005 Ramsey
 2005/0161175 A1 7/2005 Tussinger
 2006/0090858 A1 5/2006 Heidenreich
 2006/0162124 A1 * 7/2006 Lin E05D 5/0246
 16/252
 2008/0062516 A1 3/2008 Stewart et al.

2008/0163988 A1 7/2008 Hicks et al.
 2010/0107369 A1 5/2010 Li et al.
 2014/0007378 A1 1/2014 Pacini et al.

FOREIGN PATENT DOCUMENTS

CN 2237105 Y 10/1996
 DE 3936913 A1 5/1991
 DE 19807541 C1 7/1999
 EP 0207040 A1 12/1986
 EP 0429898 A2 6/1991
 EP 0911476 A1 4/1999
 EP 0911476 B1 9/2002
 EP 13179466 12/2013
 EP 077187977.7 8/2016
 FR 2546226 A1 11/1984
 FR 2558518 A1 7/1985
 FR 2563860 A1 11/1985
 FR 2594173 A1 8/1987
 FR 2686372 A1 7/1993
 JP 9303068 11/1997
 JP 10-072988 3/1998
 WO WO-1987/004485 A1 7/1987
 WO-PCT/AU2007/000731 5/2007

* cited by examiner

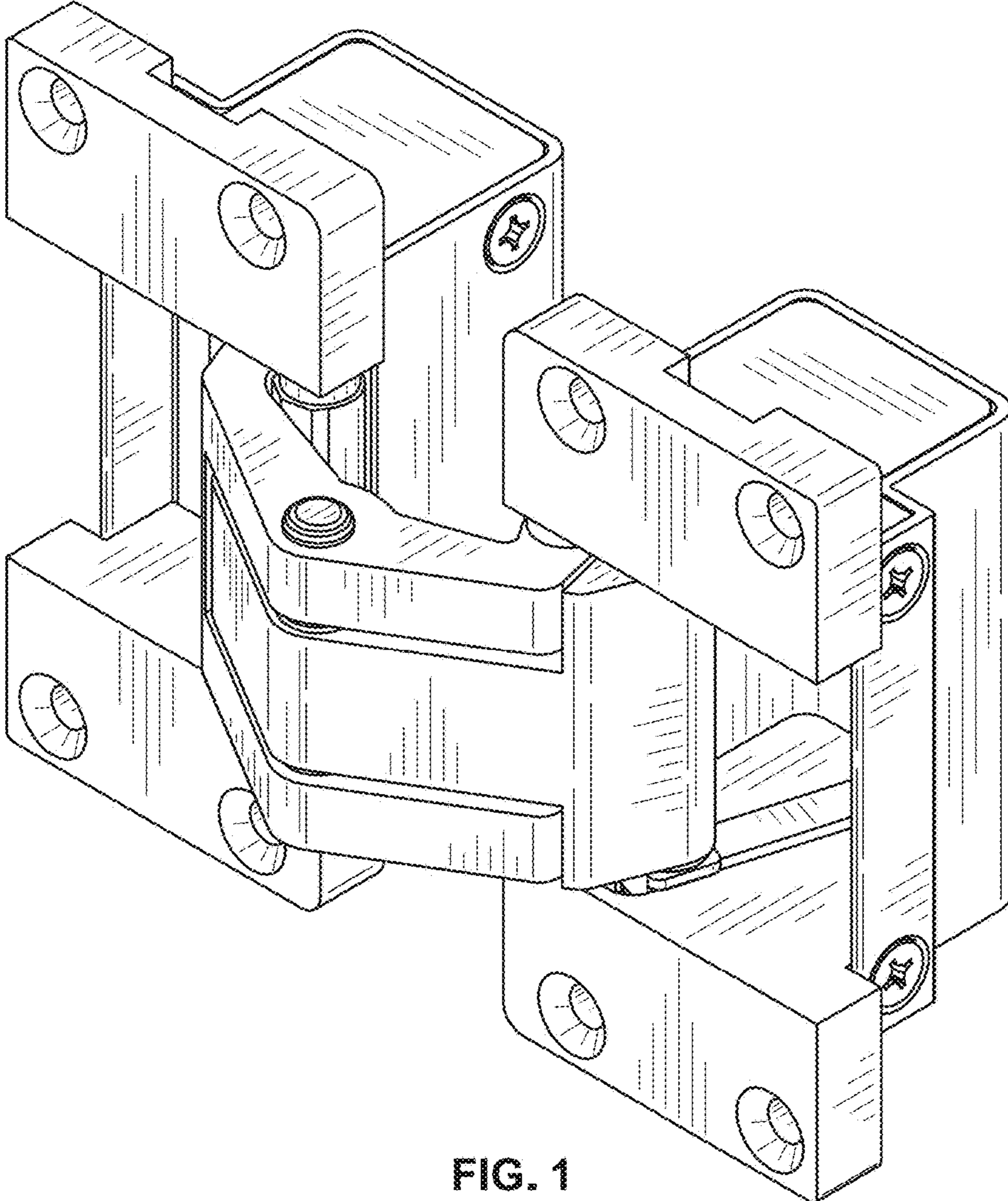


FIG. 1

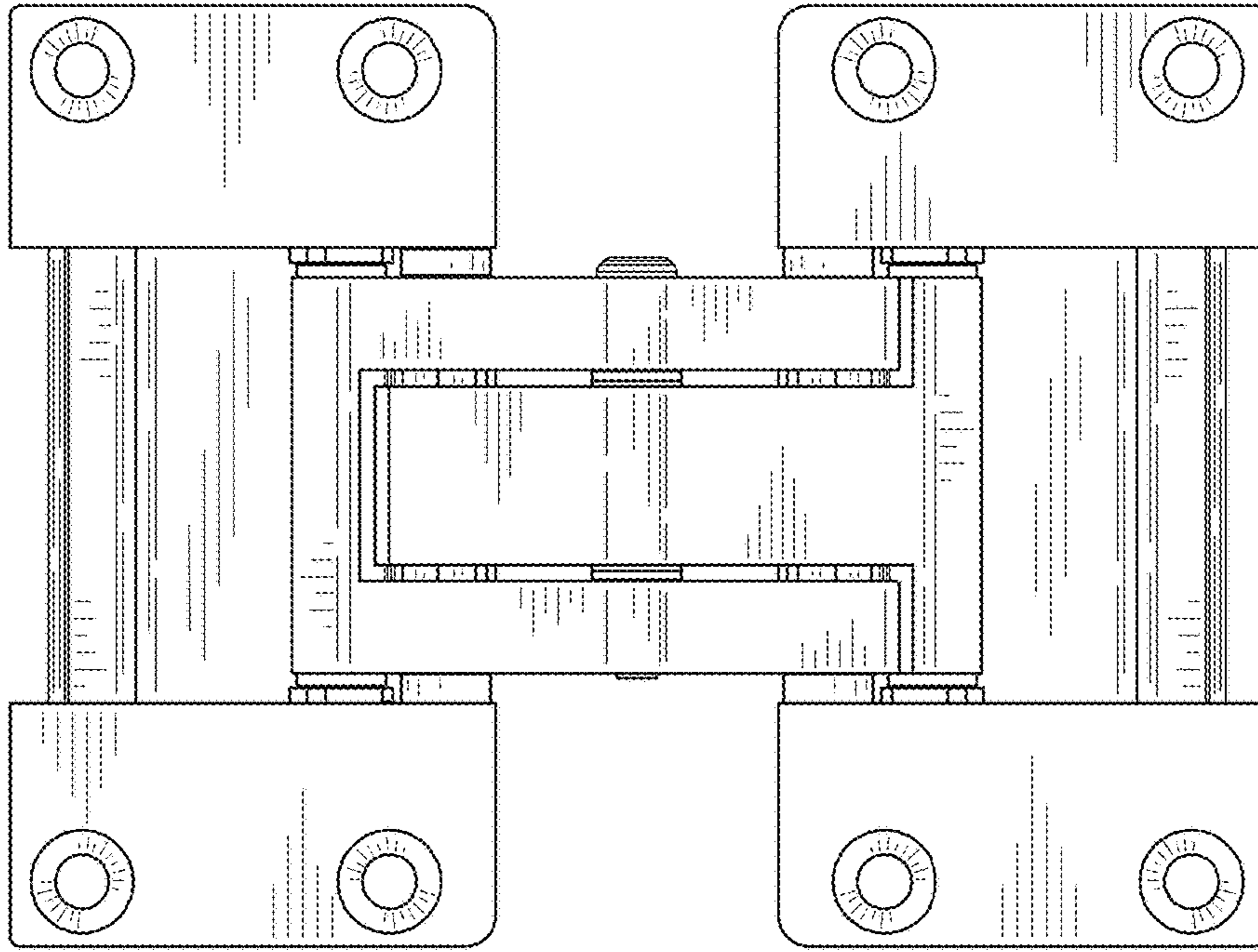


FIG. 2

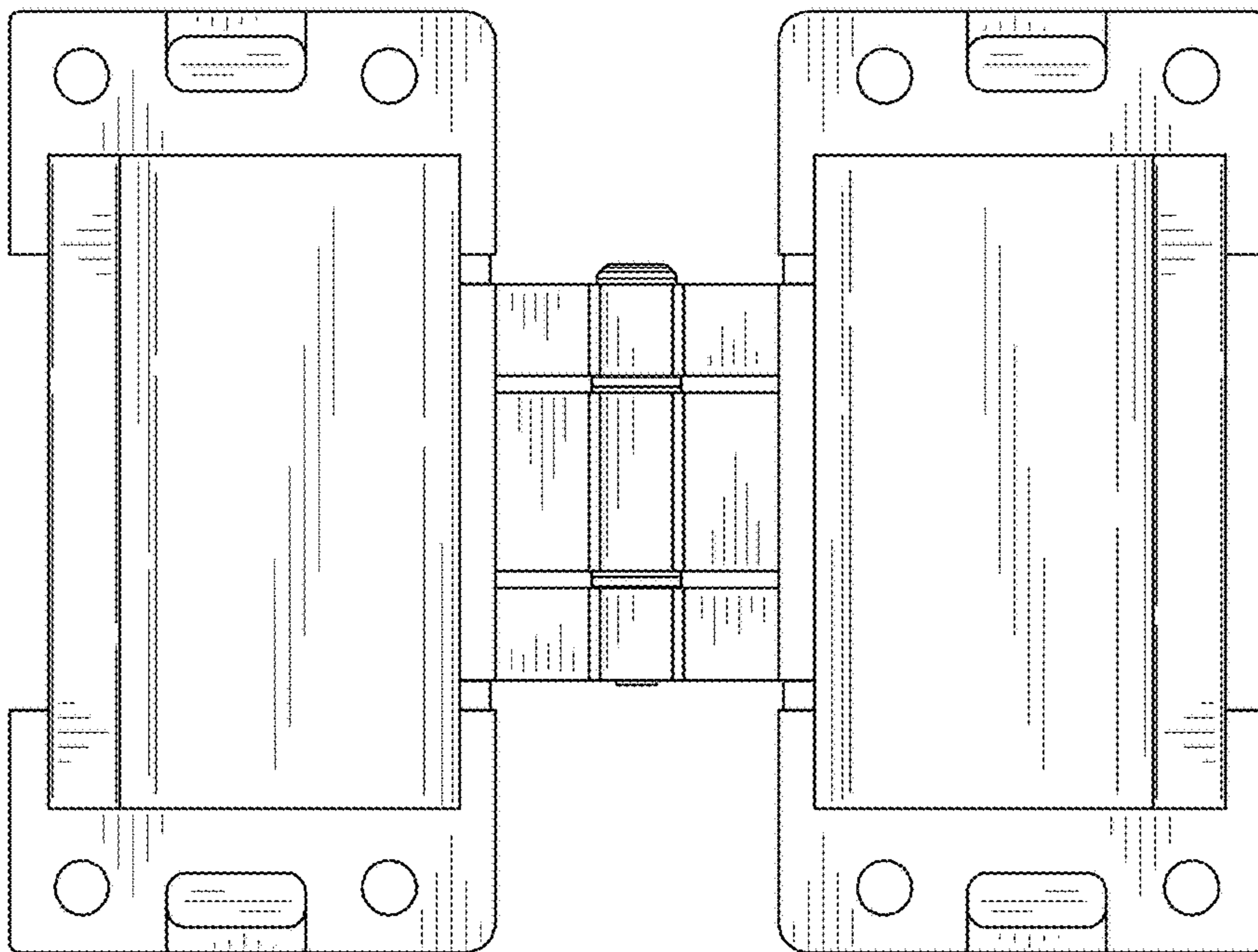


FIG. 3

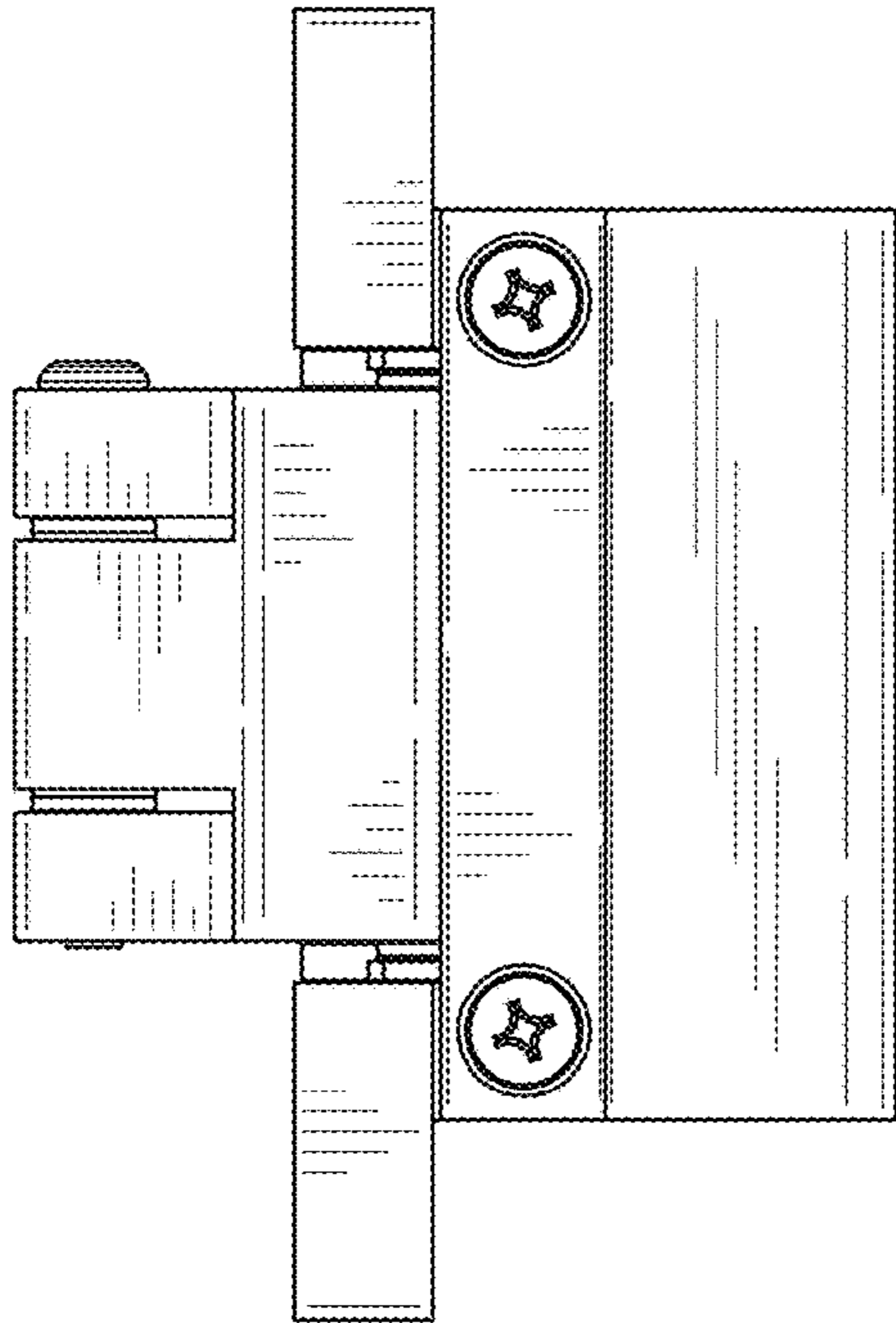


FIG. 4

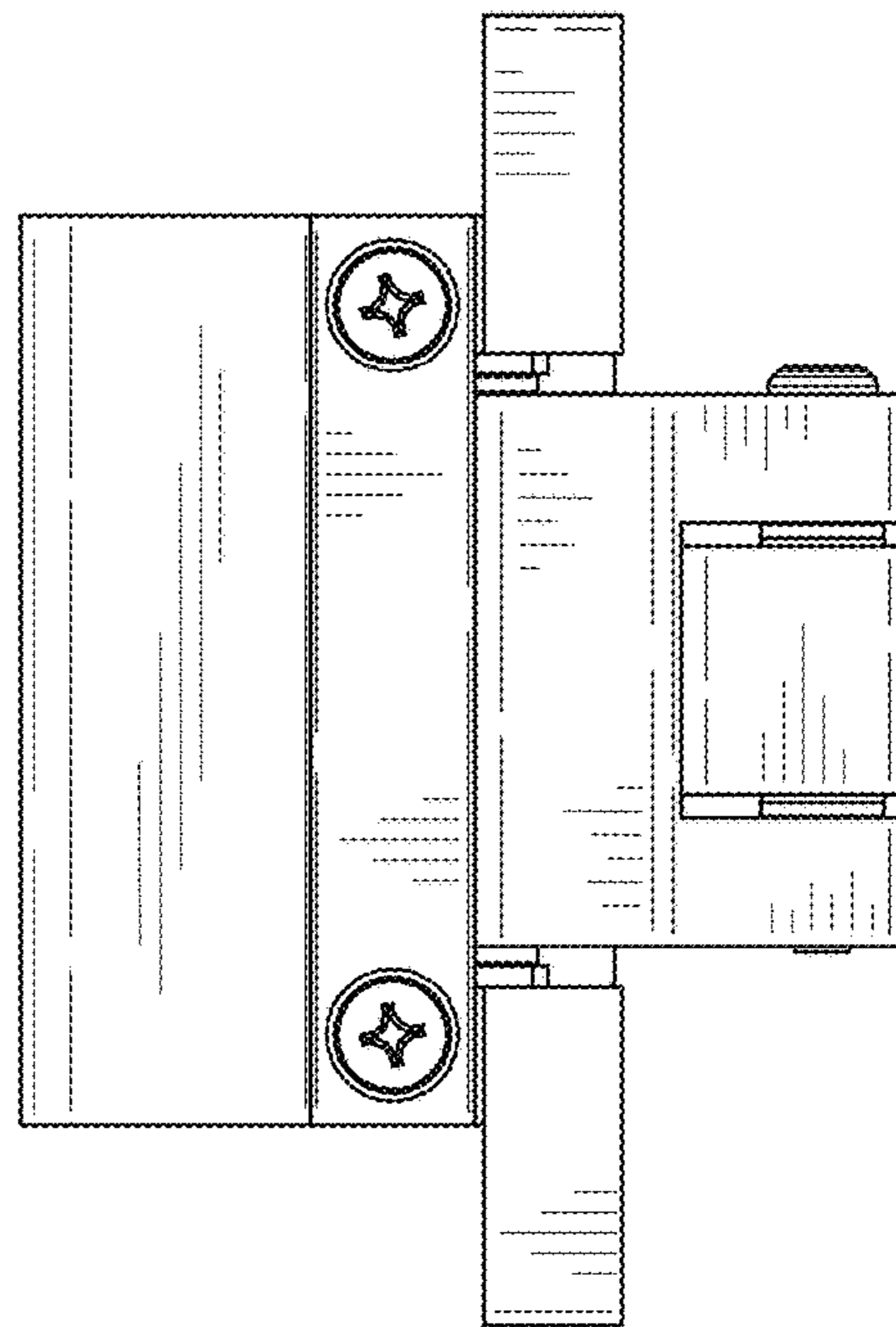


FIG. 5

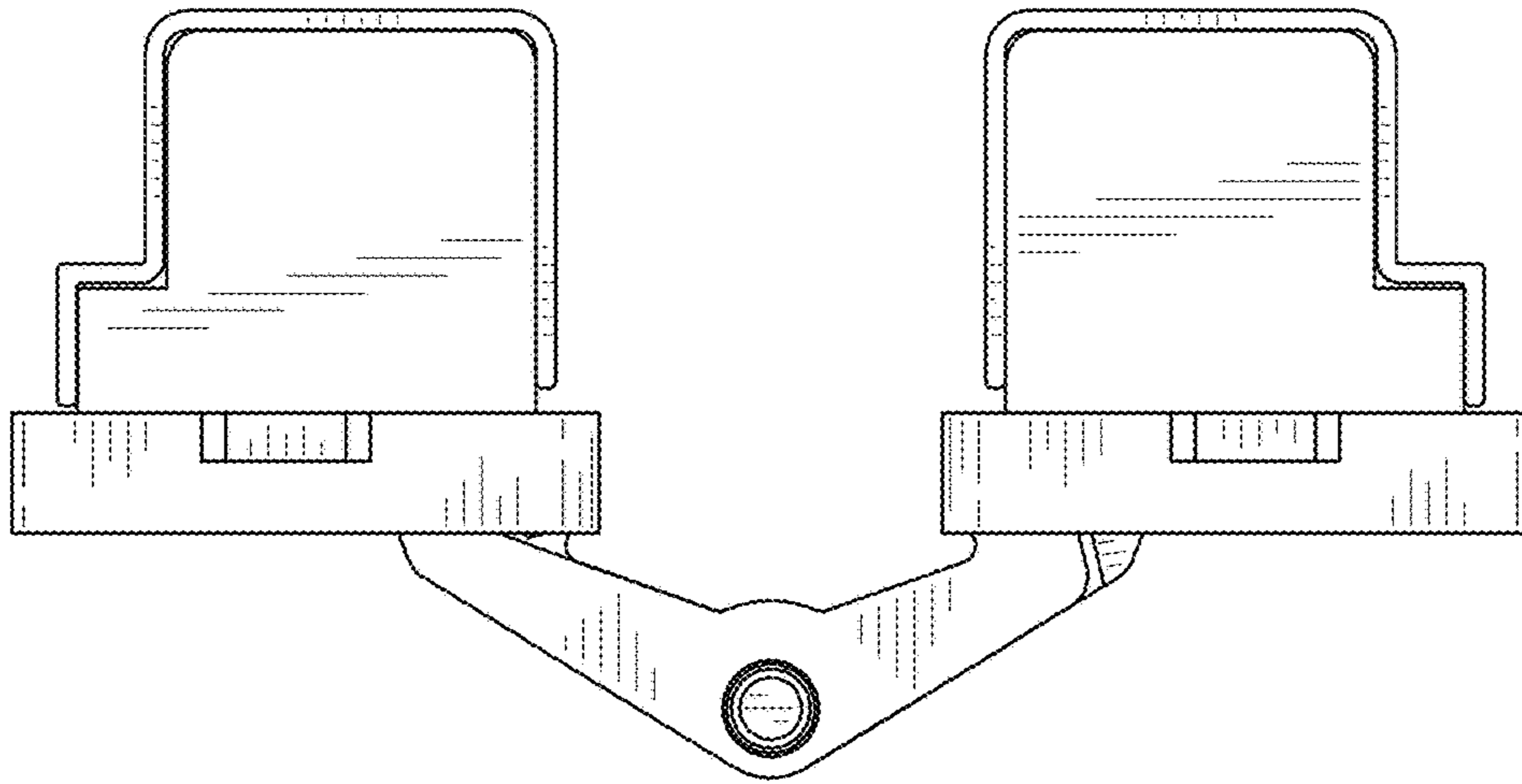


FIG. 6

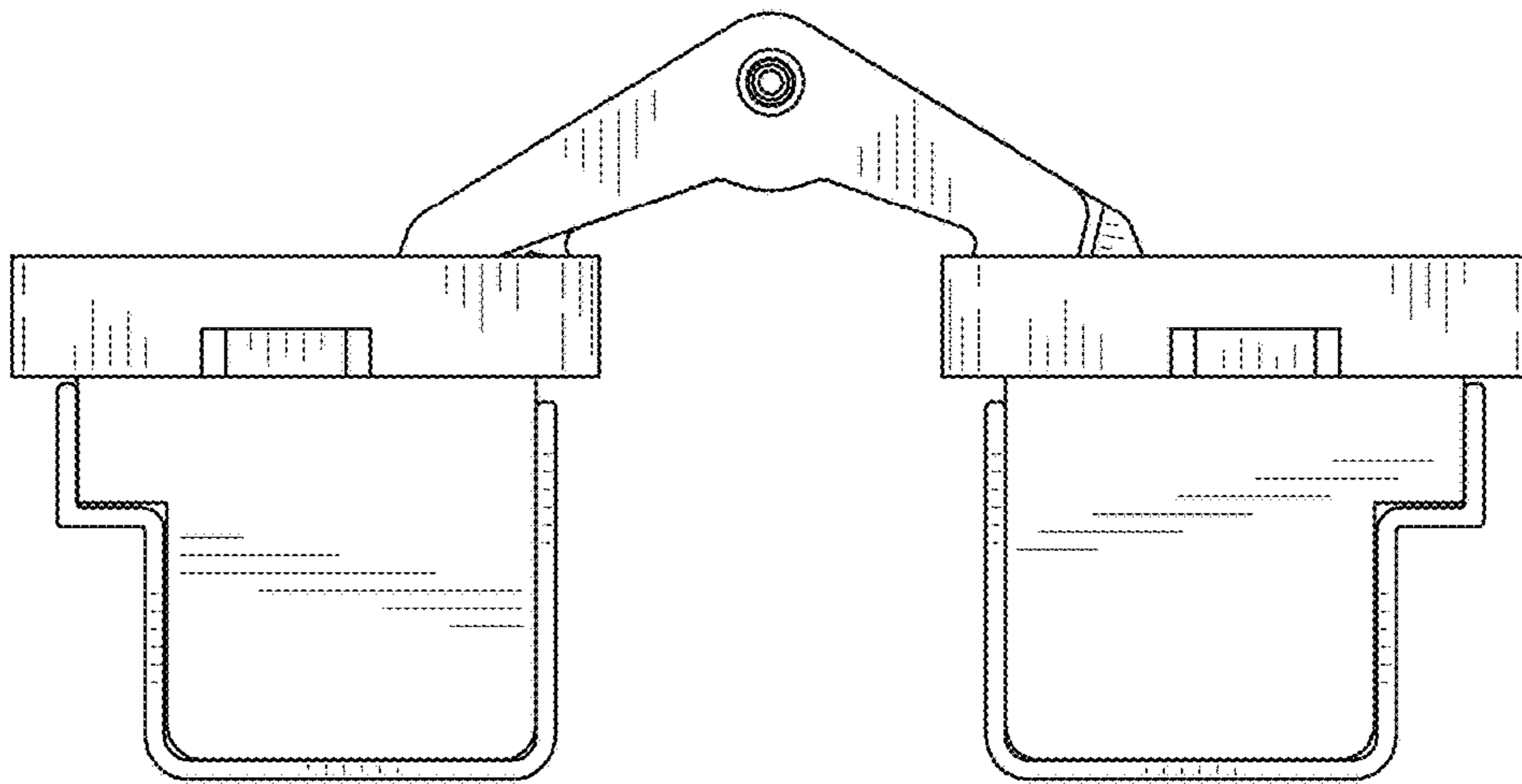


FIG. 7