



US00D839707S

(12) **United States Design Patent** (10) **Patent No.:** **US D839,707 S**
Waldron (45) **Date of Patent:** **** Feb. 5, 2019**

(54) **BRUSHLESS DIGITAL DRIVER**
(71) Applicant: **7RDD Limited**, North Yorkshire (GB)
(72) Inventor: **Michael Waldron**, Yorkshire (GB)
(73) Assignee: **7RDD Limited**, Dunnington, York (GB)
(**) Term: **15 Years**
(21) Appl. No.: **29/598,999**
(22) Filed: **Mar. 30, 2017**
(51) **LOC (11) Cl.** **08-05**
(52) **U.S. Cl.**
USPC **D8/68**
(58) **Field of Classification Search**
USPC D8/61, 67, 68
CPC B62D 23/005; B62D 29/00; B62D 29/043;
B62D 31/00; B62D 33/046; B62D 35/00;
B62D 35/001; B60Q 1/0005
See application file for complete search history.

D594,725 S * 6/2009 Robson D8/68
D599,639 S * 9/2009 Bradford D8/68
D605,014 S * 12/2009 Yamamoto D8/68
D607,704 S * 1/2010 Murray D8/68
D607,705 S * 1/2010 Murray D8/68
D608,173 S * 1/2010 Ng D8/68
D608,175 S * 1/2010 Netzler D8/68
D609,072 S * 2/2010 Van Wambeke D8/68
D610,419 S * 2/2010 Aoki D8/68
D610,422 S * 2/2010 Kosugi D8/68
D611,319 S * 3/2010 Van Wambeke D8/68
D617,621 S * 6/2010 Houghton D8/68
D618,975 S * 7/2010 Yamamoto D8/68

(Continued)

(56) **References Cited**
U.S. PATENT DOCUMENTS

D466,777 S * 12/2002 Watson D8/68
D501,779 S * 2/2005 Watson D8/68
D506,914 S * 7/2005 Okuda D8/68
D511,080 S * 11/2005 Koch D8/68
D514,909 S * 2/2006 Bosch D8/68
D515,381 S * 2/2006 Ng D8/68
D525,848 S * 8/2006 Kokawa D8/68
D527,971 S * 9/2006 Kokawa D8/68
D534,404 S * 1/2007 Concari D8/68
D539,110 S * 3/2007 Okuda D8/68
D543,081 S * 5/2007 Watson D8/68
D559,061 S * 1/2008 Concari D8/68
D587,083 S * 2/2009 Misaki D8/68
D587,084 S * 2/2009 Van Wambeke D8/68
D587,544 S * 3/2009 Lopano D8/68
D589,317 S * 3/2009 Okuda D8/68
D593,831 S * 6/2009 Van Wambeke D8/68

OTHER PUBLICATIONS

U.S. Appl. No. 29/596,573, filed Mar. 9, 2017, Waldron.
U.S. Appl. No. 29/599,002, filed Mar. 30, 2017, Croghan.
U.S. Appl. No. 29/599,005, filed Mar. 30, 2017, Croghan.

Primary Examiner — Darlington Ly
(74) *Attorney, Agent, or Firm* — Woodard, Emhardt,
Moriarty, McNett & Henry, LLP

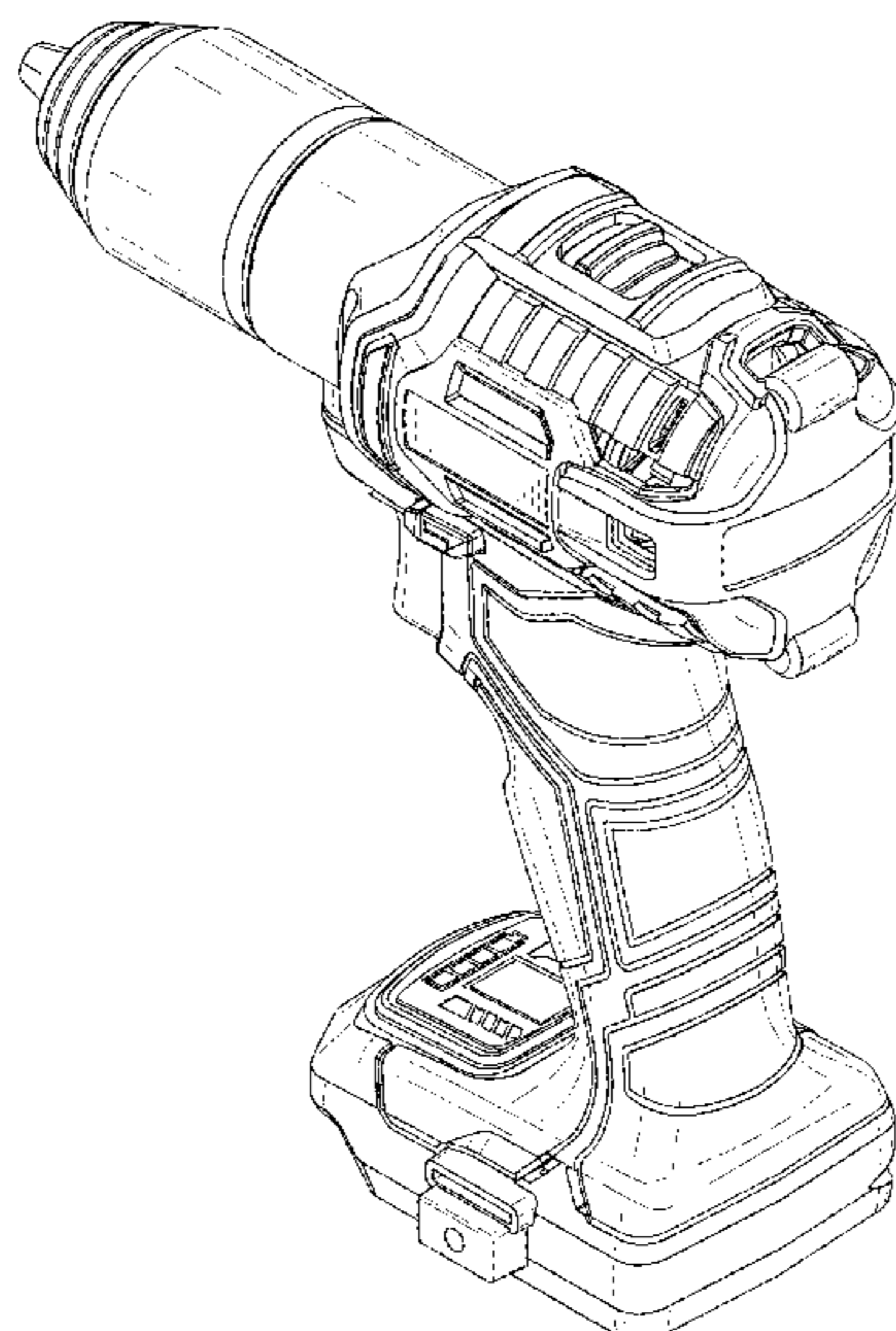
(57) **CLAIM**

The ornamental design for a brushless digital driver, as shown and described.

DESCRIPTION

FIG. 1 is a top, rear and right side perspective view of a brushless digital driver showing my new design; FIG. 2 is a right side elevation view thereof; FIG. 3 is a left side elevation view thereof; FIG. 4 is a rear elevation view thereof; FIG. 5 is a front elevation view thereof; and, FIG. 6 is a top plan view thereof. The broken lines in the drawings illustrate portions of the torque wrench that form no part of the claimed design.

1 Claim, 5 Drawing Sheets



(56)

References Cited

U.S. PATENT DOCUMENTS

D626,394	S	*	11/2010	Lopano	D8/68
D628,039	S	*	11/2010	Aoki	D8/68
D642,037	S	*	7/2011	Miller	D8/68
D642,038	S	*	7/2011	Murray	D8/68
D644,495	S	*	9/2011	Misaki	D8/68
D646,947	S	*	10/2011	Lopano	D8/68
D670,989	S	*	11/2012	Kawase	D8/61
D673,436	S	*	1/2013	Murray	D8/68
D673,437	S	*	1/2013	Schoch	D8/68
D675,500	S	*	2/2013	Taniguchi	D8/68
D678,744	S	*	3/2013	Aoki	D8/68
D682,650	S	*	5/2013	Kawase	D8/61
D700,821	S	*	3/2014	Tschopp	D8/68
D708,496	S	*	7/2014	Zhou	D8/68
D715,617	S	*	10/2014	Aoki	D8/68
D722,854	S	*	2/2015	Beukema	D8/68
D735,006	S	*	7/2015	Aoki	D8/68
D750,460	S	*	3/2016	Miller	D8/68
D774,864	S	*	12/2016	Uematsu	D8/68
D785,427	S	*	5/2017	Kosugi	D8/68

* cited by examiner

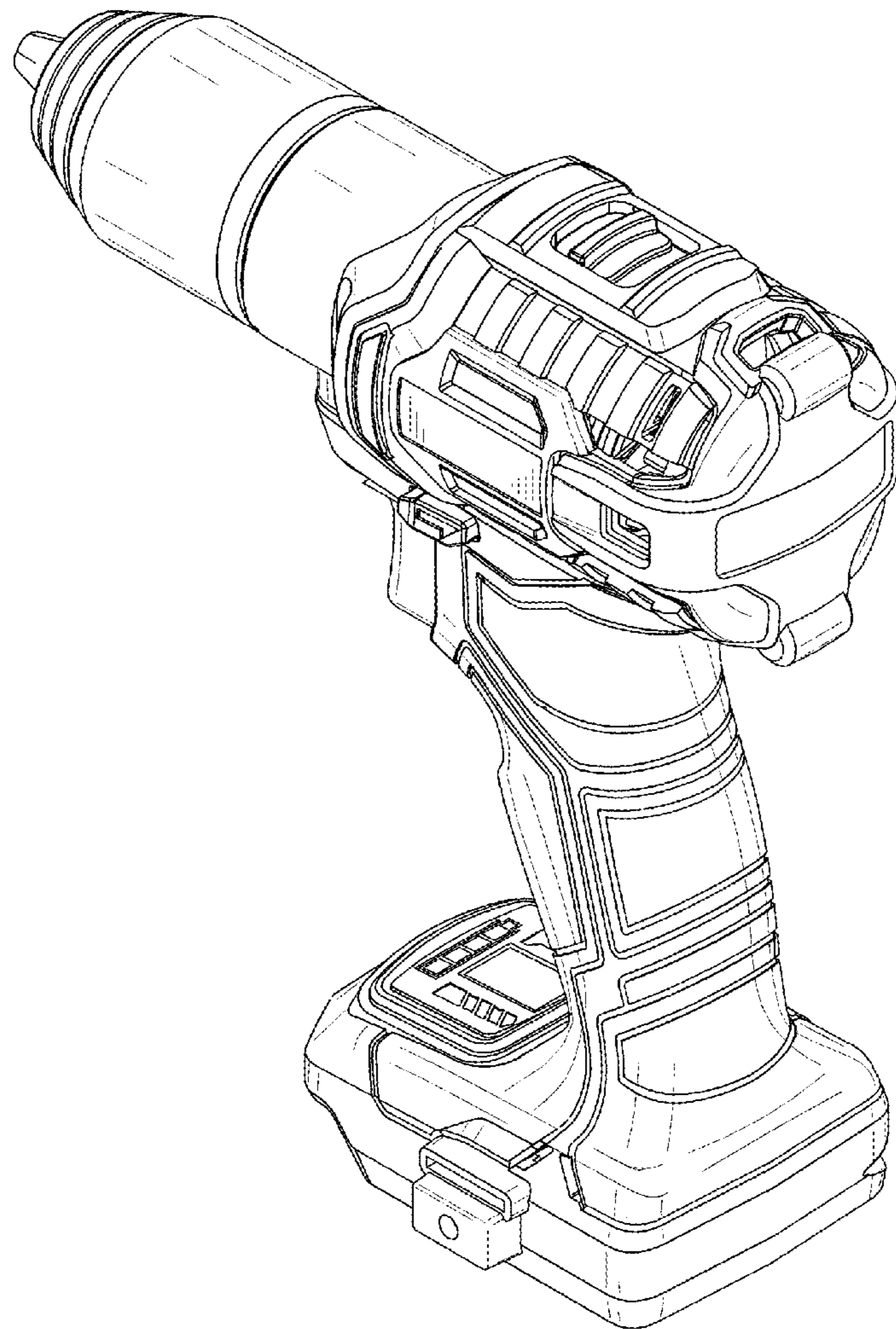


Fig. 1

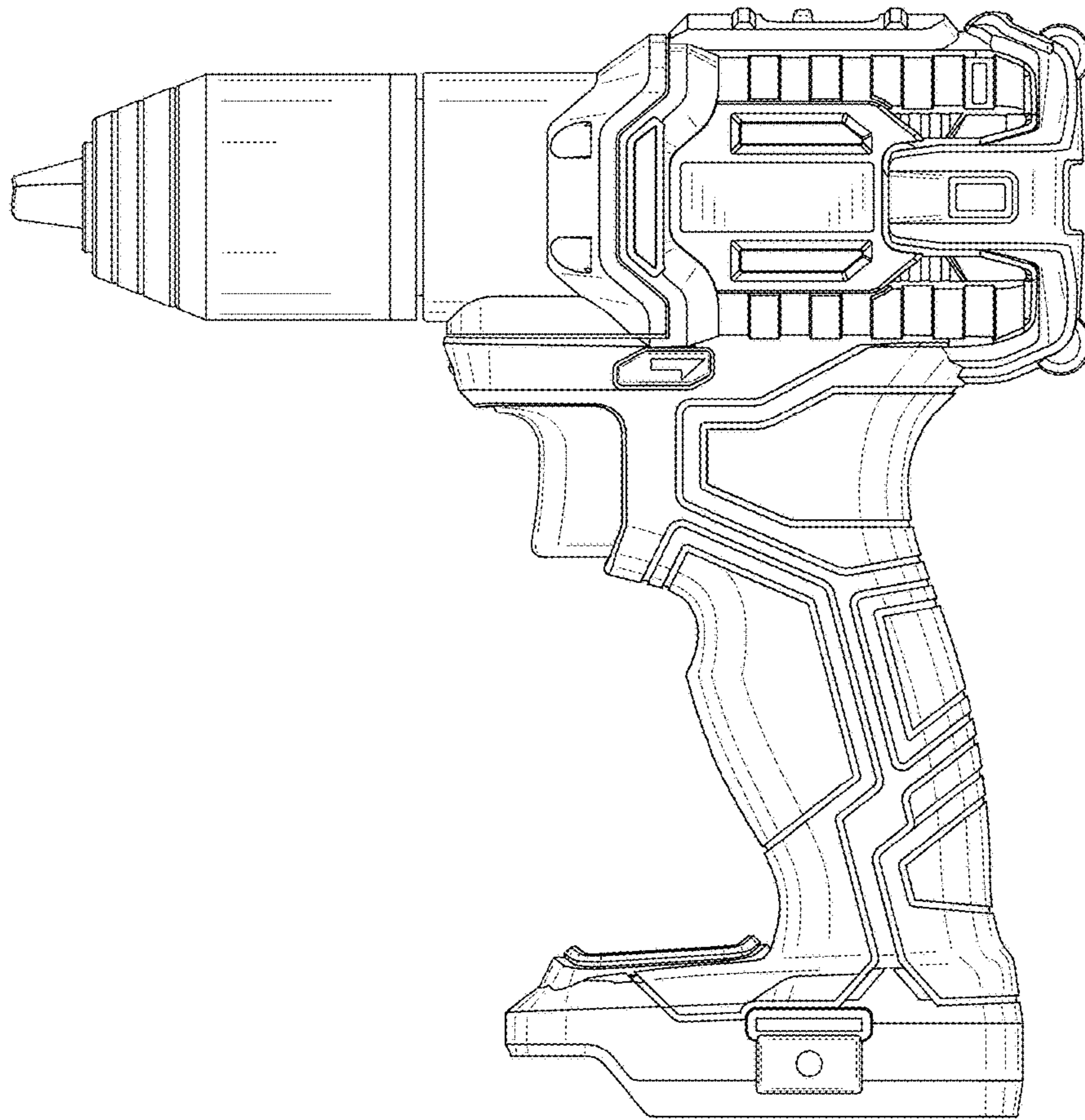


Fig. 2

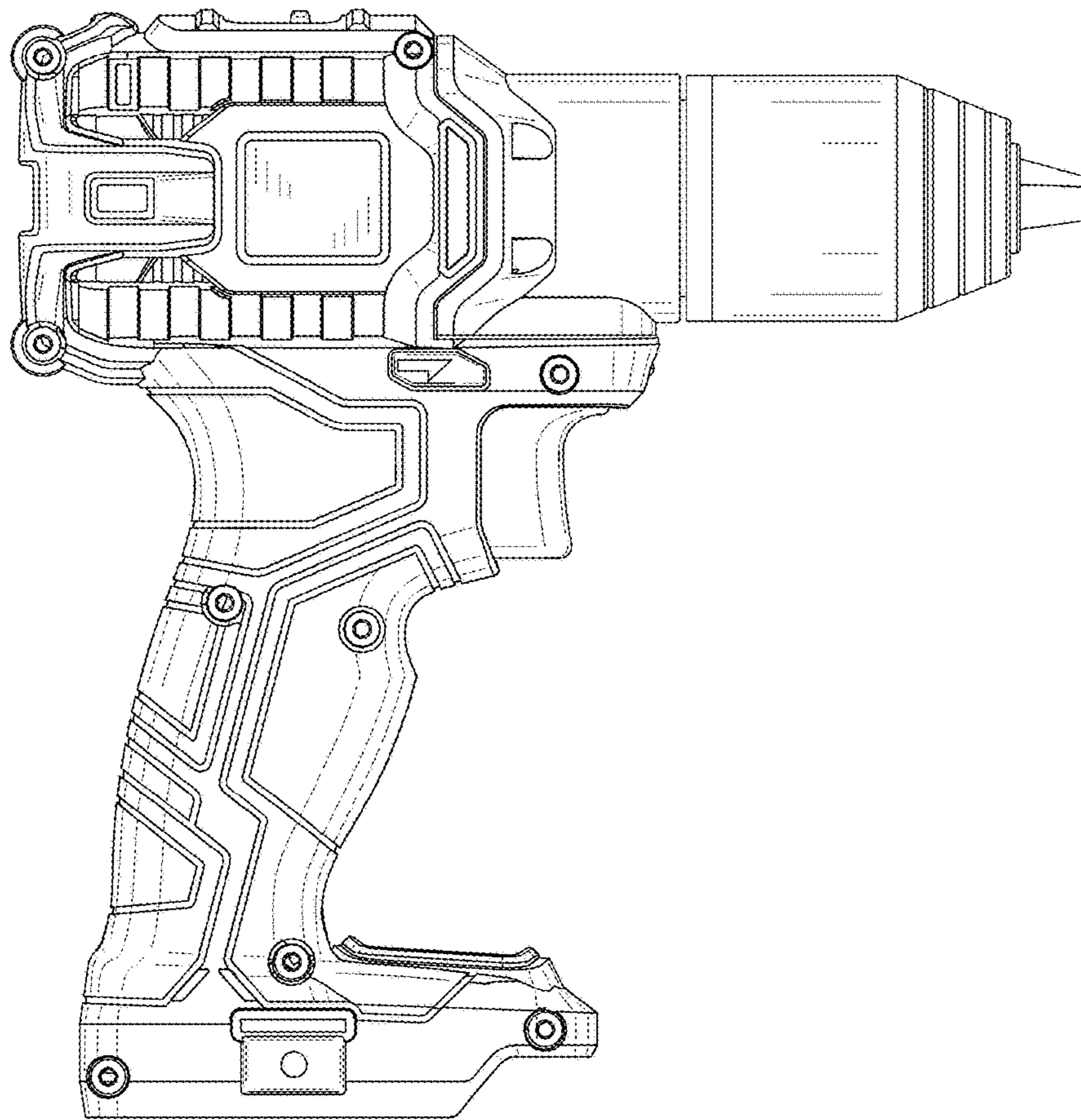


Fig. 3

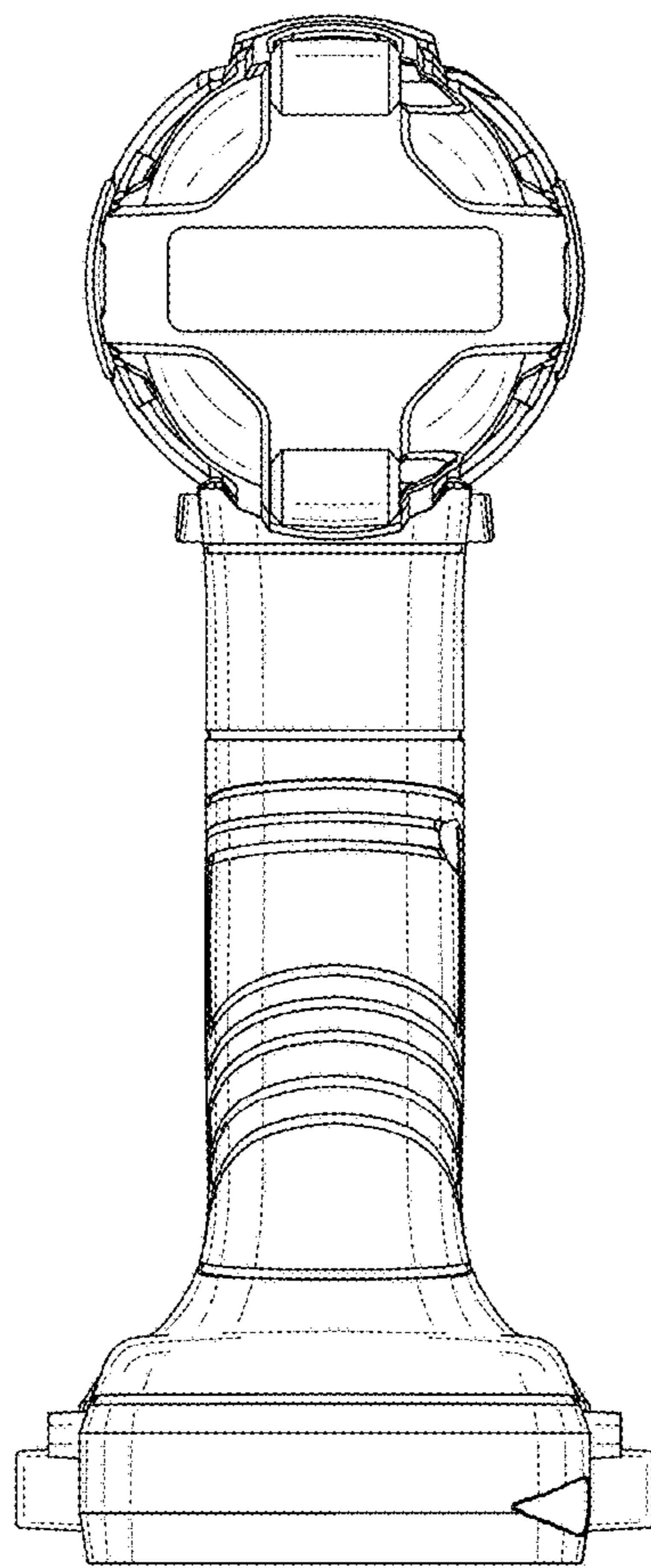


Fig. 4

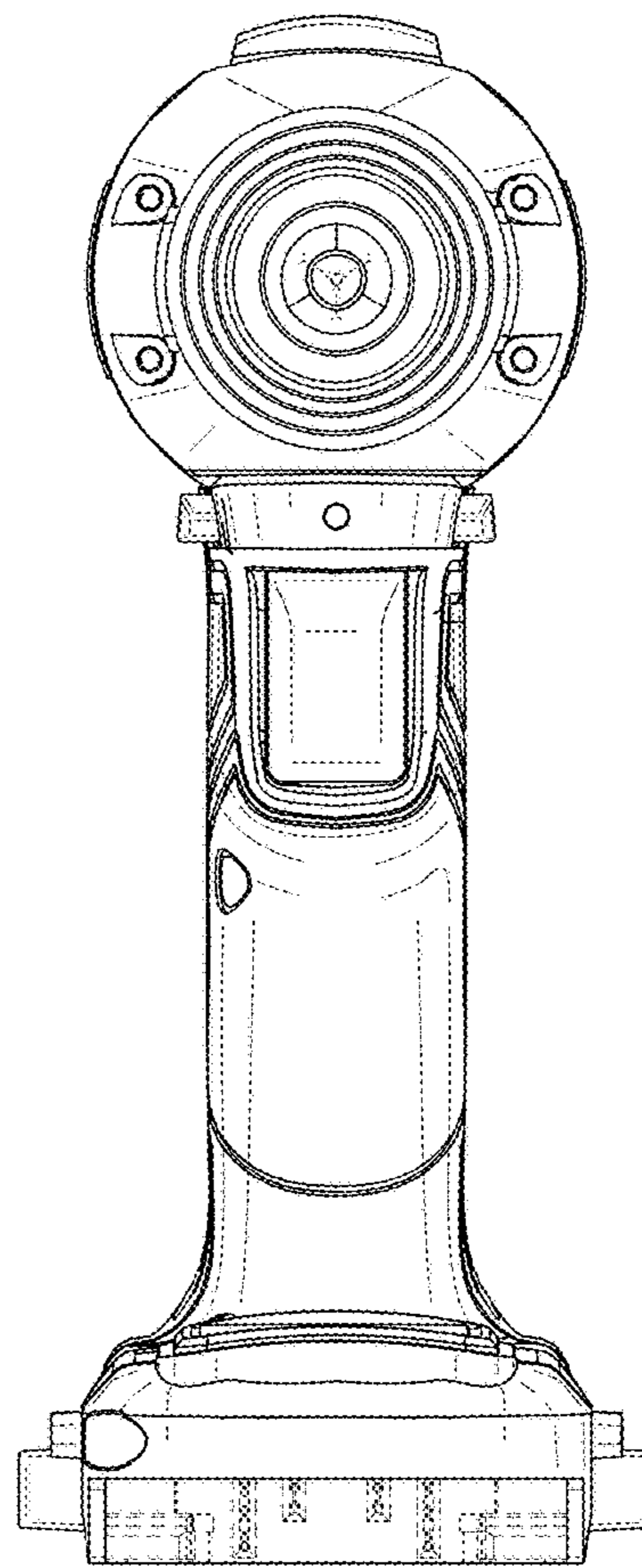


Fig. 5

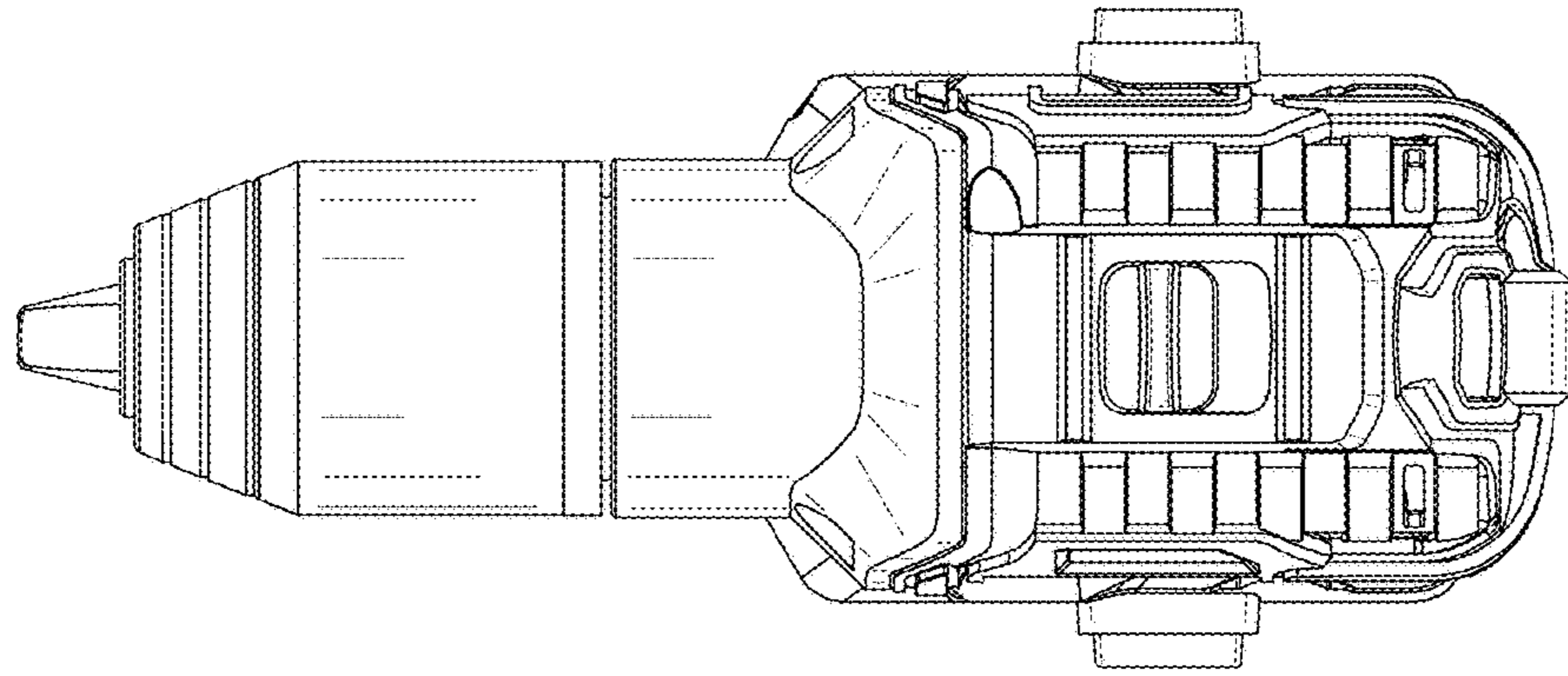


Fig. 6