



US00D839704S

(12) **United States Design Patent** (10) **Patent No.:** **US D839,704 S**
Zhang (45) **Date of Patent:** **** Feb. 5, 2019**

(54) **SHEARS**

(71) Applicant: **Ruqian Zhang**, Xiaoshan Hangzhou (CN)

(72) Inventor: **Ruqian Zhang**, Xiaoshan Hangzhou (CN)

(**) Term: **15 Years**

(21) Appl. No.: **29/616,439**

(22) Filed: **Sep. 6, 2017**

(51) **LOC (11) Cl.** **08-05**

(52) **U.S. Cl.**
USPC **D8/57**

(58) **Field of Classification Search**
 USPC D8/51, 52, 54, 55-57
 CPC .. B25F 1/006; B25F 1/003; B25F 1/02; B25F 1/00; B25F 1/04; B25B 7/22; B25B 7/02; B25B 7/10; B25B 7/00; B25B 7/146; B25B 7/08; B25B 7/12; B25B 7/14; B25B 13/14; B25B 13/463; B25B 23/005; B25B 25/00; B25B 27/10; Y10T 29/539; Y10T 29/53909; Y10T 29/4959; Y10T 29/49929; Y10T 29/53943; Y10T 29/49817; Y10T 29/4995; Y10T 29/49959; Y10T 29/5393; Y10T 83/8802; Y10T 83/8878; Y10T 83/9447; B25C 11/02; B25C 11/00; B25C 3/006; B23D 29/023; B23D 17/00; B23D 17/06; B23D 21/02; B23D 21/10; B23D 29/002; B23D 29/026; B23D 35/002; E04G 23/08; E04G 23/082; E04G 2023/085; E04G 5/12; B25G 1/085; B25G 1/105; B25G 1/005; B25G 1/08; A01G 3/021; A01G 3/025; B26B 13/04; B26B 13/12; B26B 13/16; B26B 13/26; B26B 13/28; B26B 17/02

See application file for complete search history.

(56) **References Cited**

U.S. PATENT DOCUMENTS

1,046,852 A *	12/1912	Prince	A01G 3/025 30/252
2,250,638 A *	7/1941	Kubinec	B23D 29/026 30/257
3,971,131 A *	7/1976	Boyajian	B23D 29/026 30/260
D291,769 S *	9/1987	Lemcke	D8/4
D387,647 S *	12/1997	Linden	D8/57
D442,046 S *	5/2001	Huang	D8/57
D553,928 S *	10/2007	Zhou	D8/57
D574,206 S *	8/2008	Beckwith	D8/57
D618,078 S *	6/2010	Cripps	D8/52
D716,123 S *	10/2014	Teraguchi	D8/57
D753,455 S *	4/2016	Hyma	D8/57
D788,557 S *	6/2017	Huang	D8/57
2015/0321364 A1 *	11/2015	Tsai	B26B 13/26 30/262

* cited by examiner

Primary Examiner — Rosemary K Tarcza
Assistant Examiner — Nathaniel D. Buckner
 (74) *Attorney, Agent, or Firm* — Clement Cheng

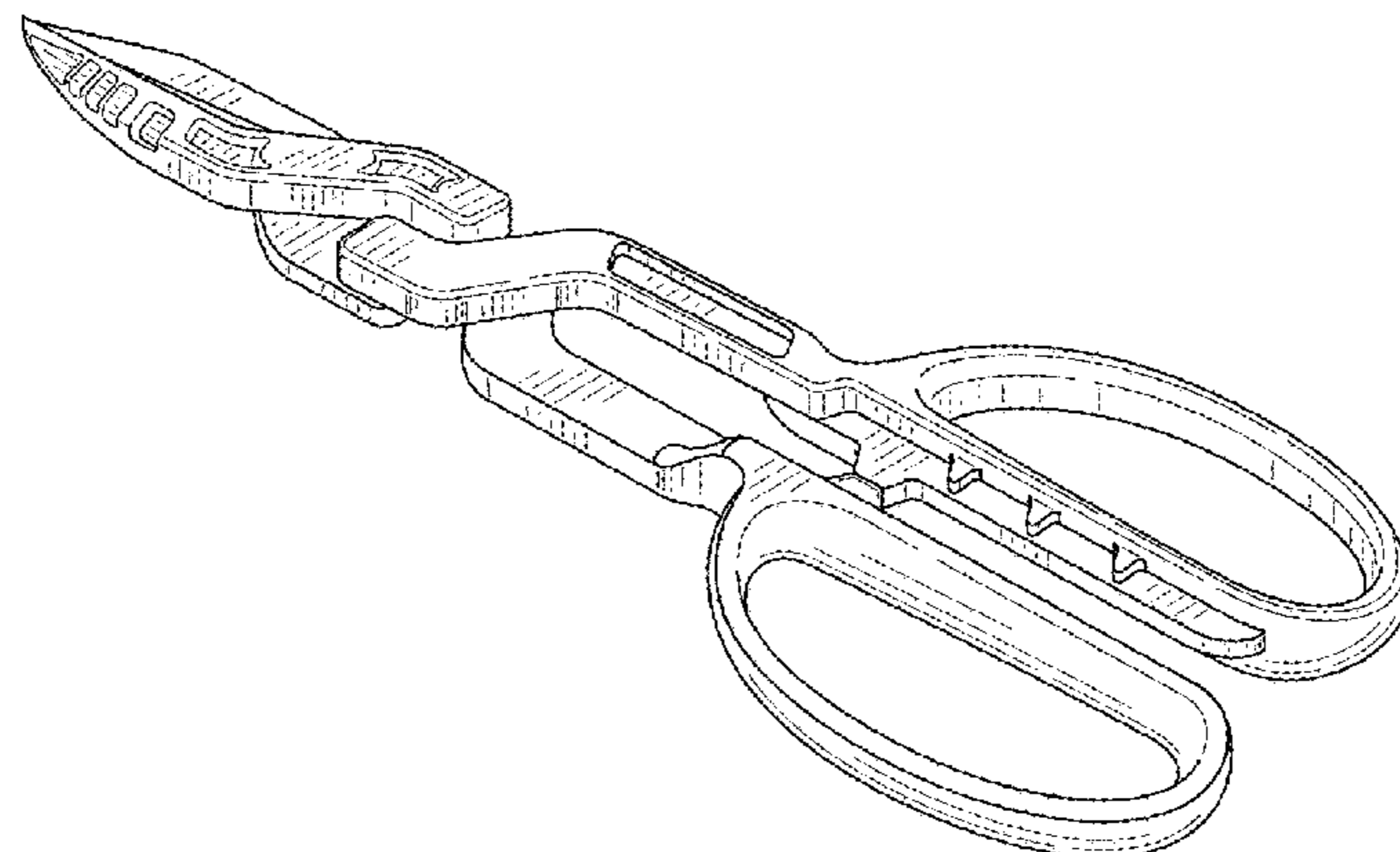
(57) **CLAIM**

The ornamental design for shears, as shown and described.

DESCRIPTION

FIG. 1 is a front perspective view of shears showing my new design;
 FIG. 2 is a right elevation view thereof;
 FIG. 3 is a left elevation view thereof;
 FIG. 4 is a top plan view thereof;
 FIG. 5 is a bottom plan view thereof;
 FIG. 6 is a front elevation view thereof; and,
 FIG. 7 is a rear view thereof.

1 Claim, 4 Drawing Sheets



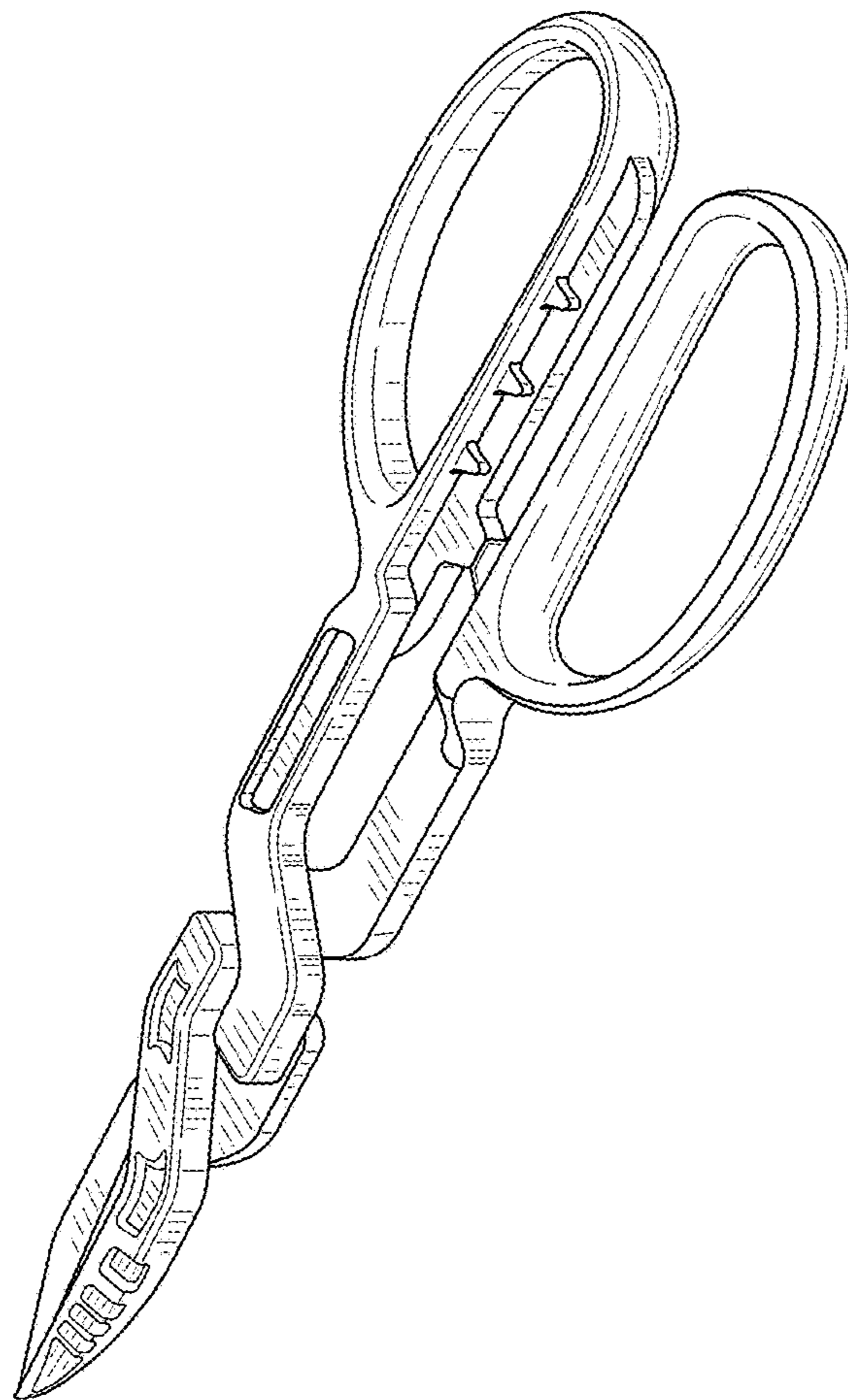


FIG. 1

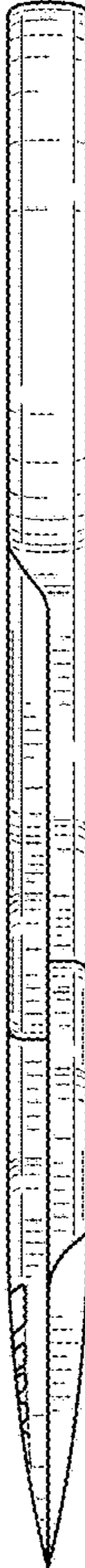


FIG. 2

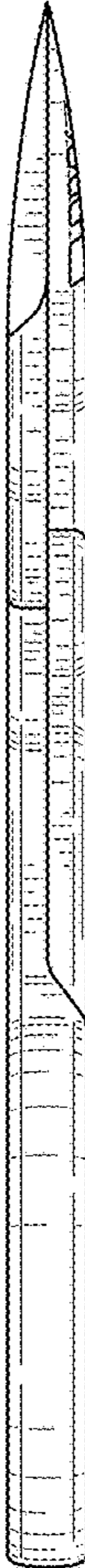


FIG. 3



FIG. 4



FIG. 5

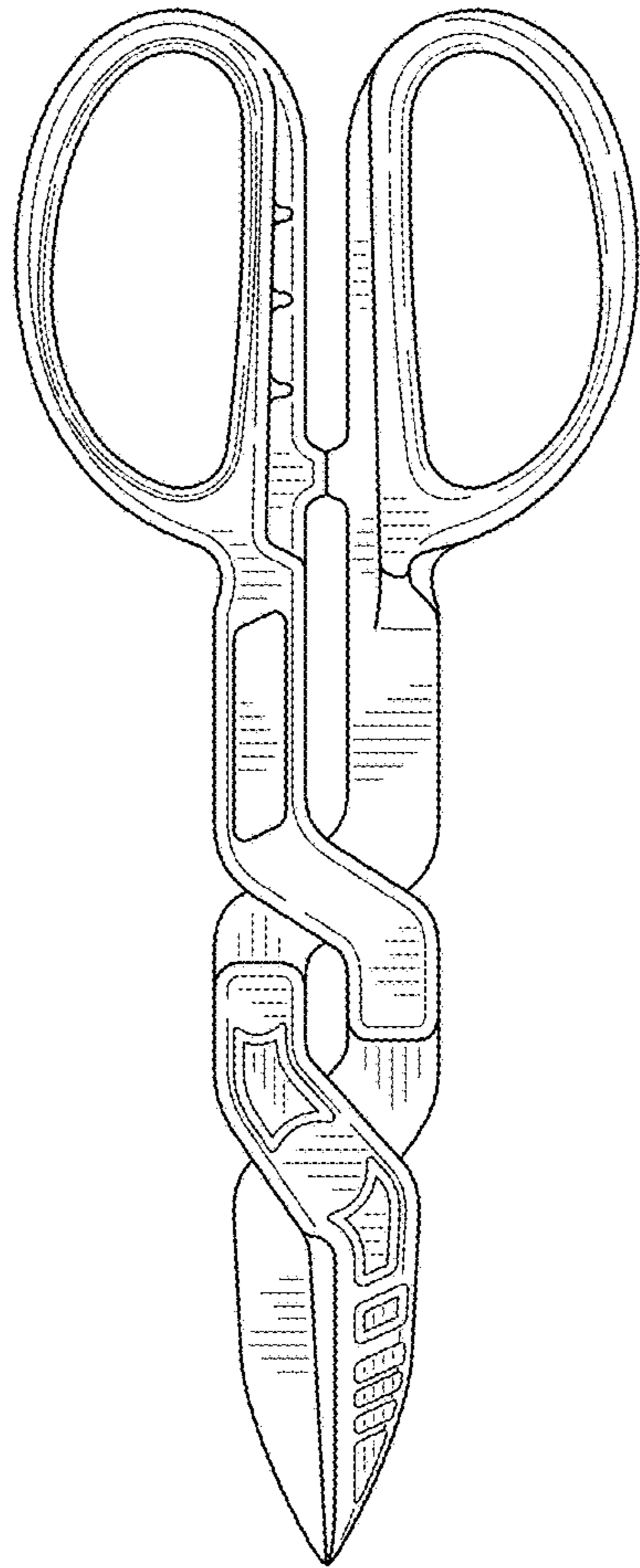


FIG. 6

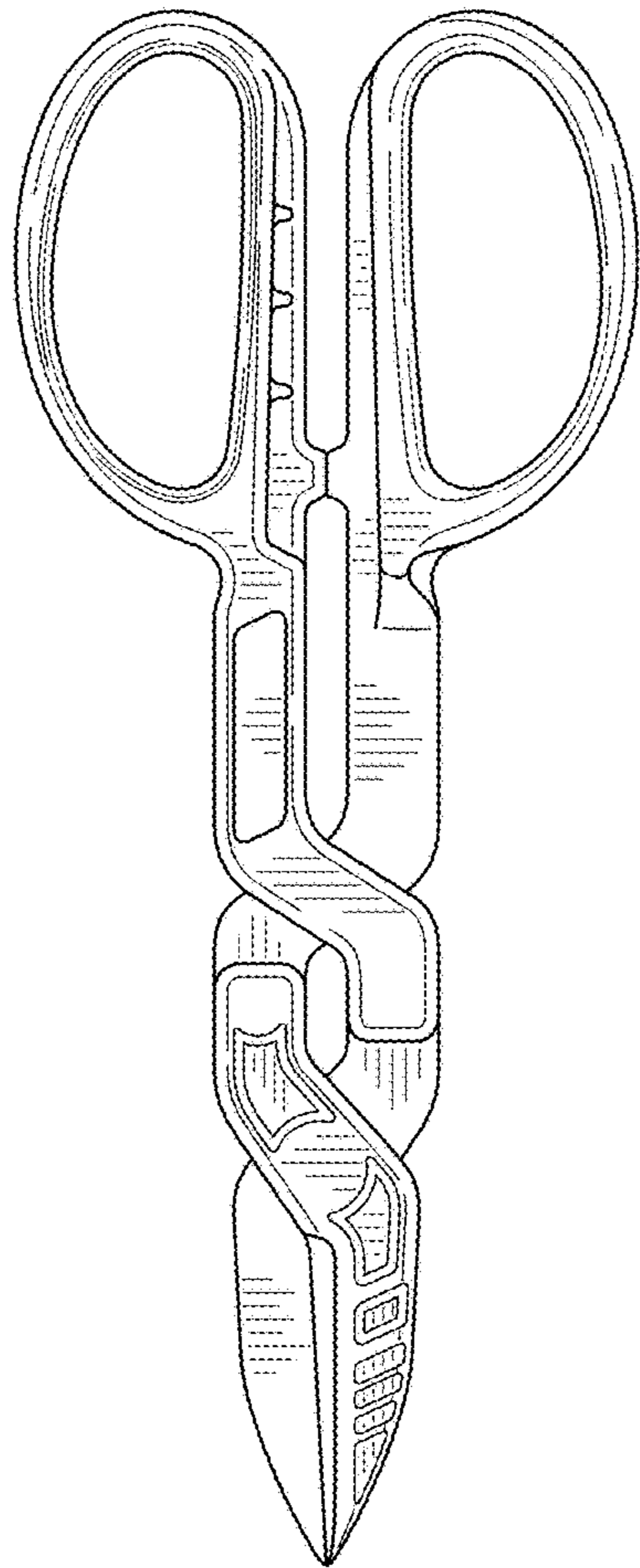


FIG. 7