



US00D839701S

(12) **United States Design Patent** (10) **Patent No.:** **US D839,701 S**
Hsieh (45) **Date of Patent:** **** Feb. 5, 2019**

(54) **PORTION OF A SOCKET CLIP**
(71) Applicant: **Chih-Chien Hsieh**, Taichung (TW)
(72) Inventor: **Chih-Chien Hsieh**, Taichung (TW)
(**) Term: **15 Years**
(21) Appl. No.: **29/626,192**
(22) Filed: **Nov. 15, 2017**
(51) **LOC (11) Cl.** **08-05**
(52) **U.S. Cl.**
USPC **D8/25**
(58) **Field of Classification Search**
USPC D8/24, 25, 27, 28, 61, 62, 68;
81/60-63.2; 16/110.1
CPC B25B 13/48; B25B 23/02
See application file for complete search history.

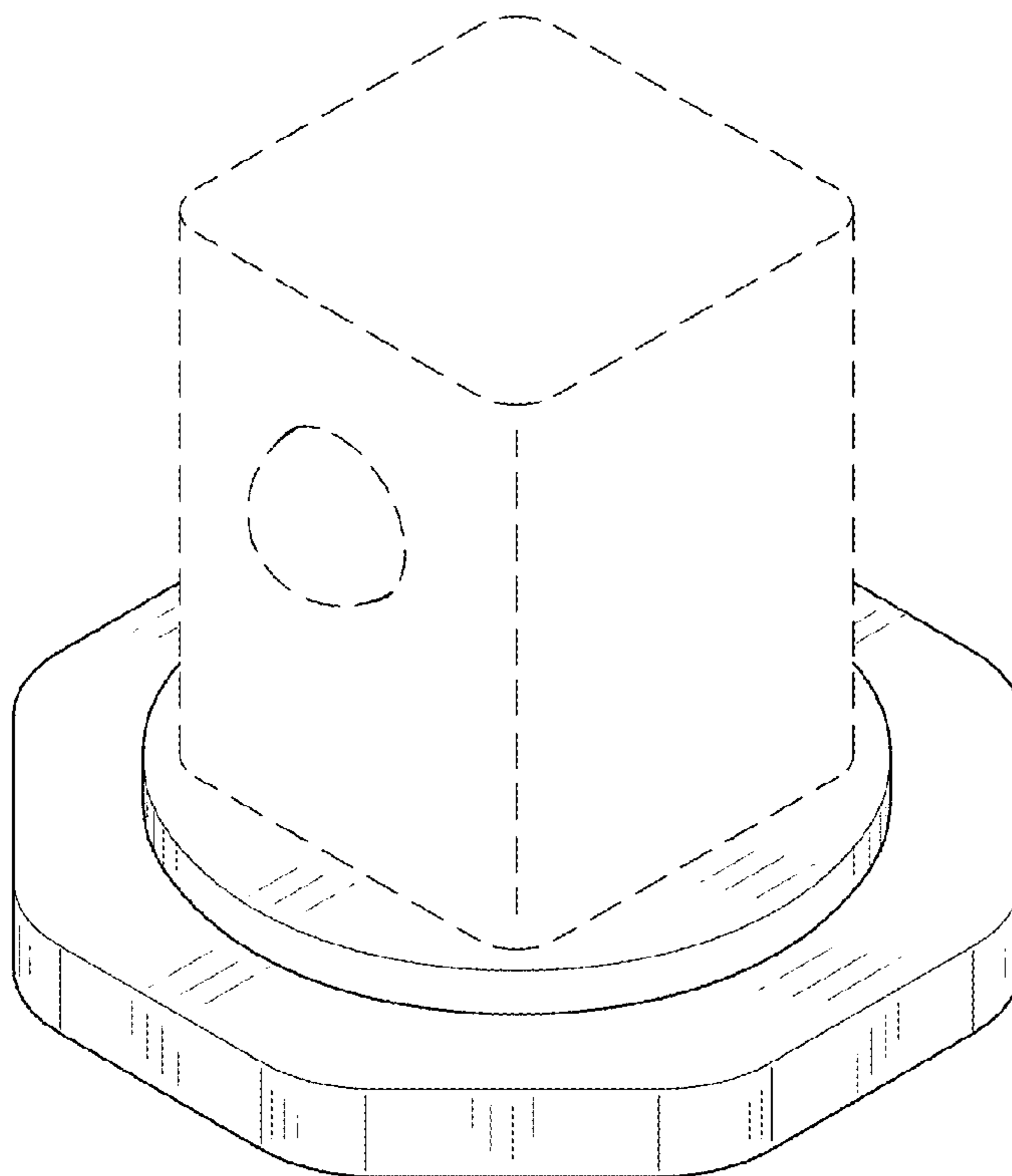
(56) **References Cited**
U.S. PATENT DOCUMENTS
D287,456 S * 12/1986 Kobos D8/14
D550,050 S * 9/2007 Peng D8/29
D740,866 S * 10/2015 Herrmann D15/148

D756,180 S * 5/2016 Chen D8/25
* cited by examiner
Primary Examiner — Randall H Gholson
(74) *Attorney, Agent, or Firm* — Egbert Law Offices,
PLLC

(57) **CLAIM**
The ornamental design for a portion of a socket clip, as shown and described.

DESCRIPTION
FIG. 1 is a perspective view of a portion of a socket clip showing my new design;
FIG. 2 is a front elevational view thereof;
FIG. 3 is a rear elevational view thereof;
FIG. 4 is a left side view thereof;
FIG. 5 is a right side view thereof;
FIG. 6 is a top plain view thereof; and,
FIG. 7 is a bottom plain view thereof.
The elements shown in broken lines represent unclaimed portions of the socket clip and forms no part of the claimed design.

1 Claim, 7 Drawing Sheets



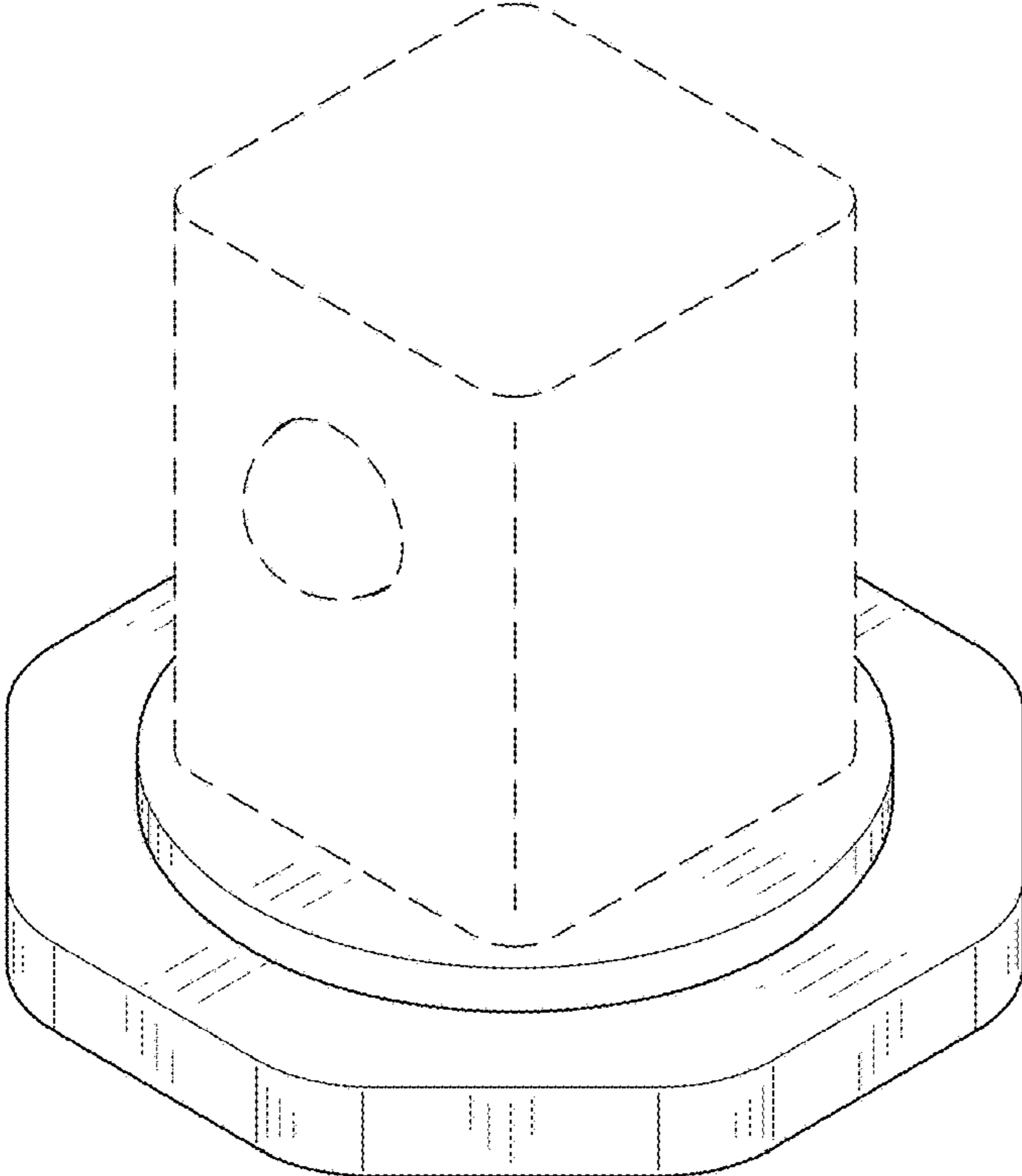


FIG. 1

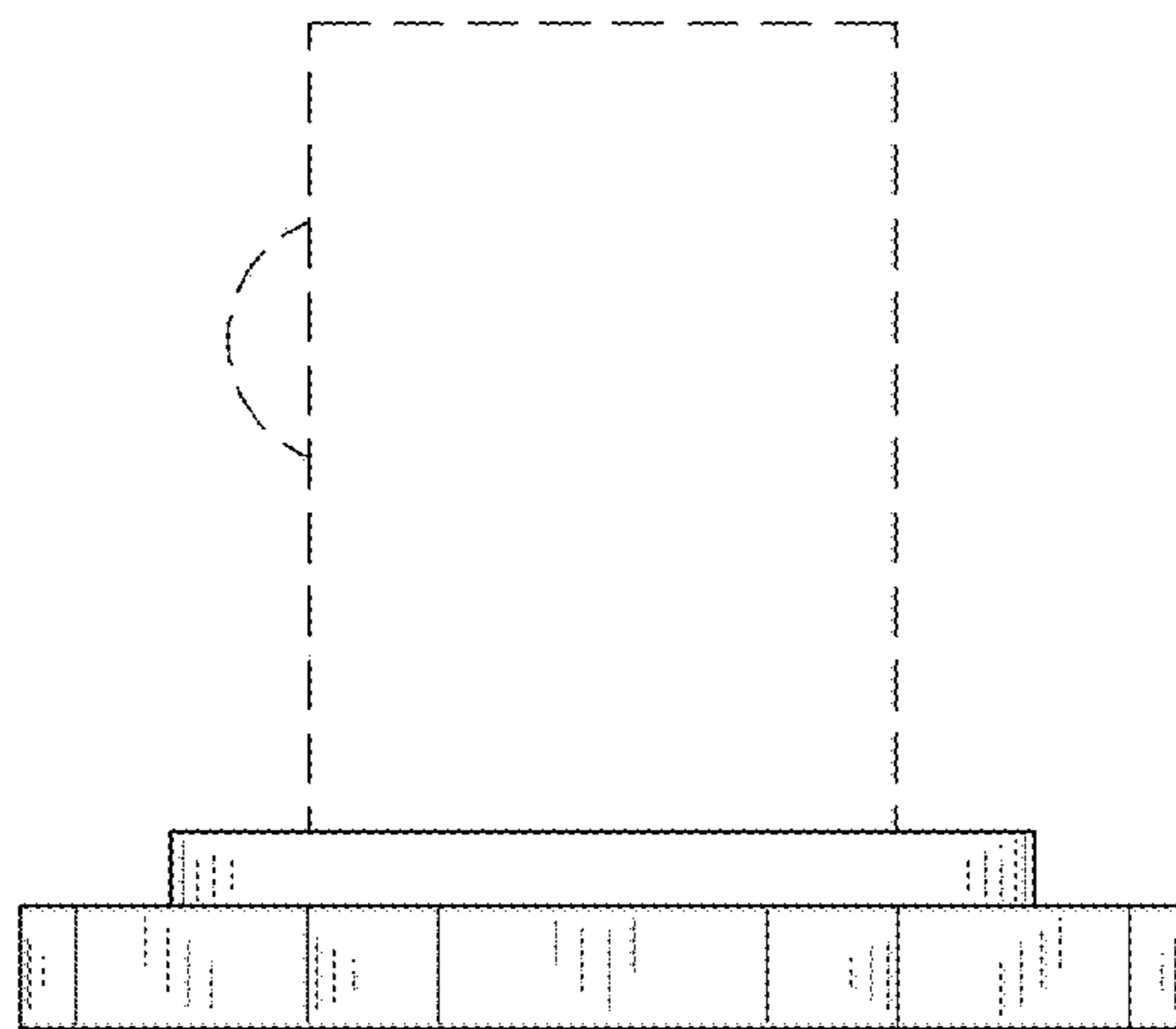


FIG. 2

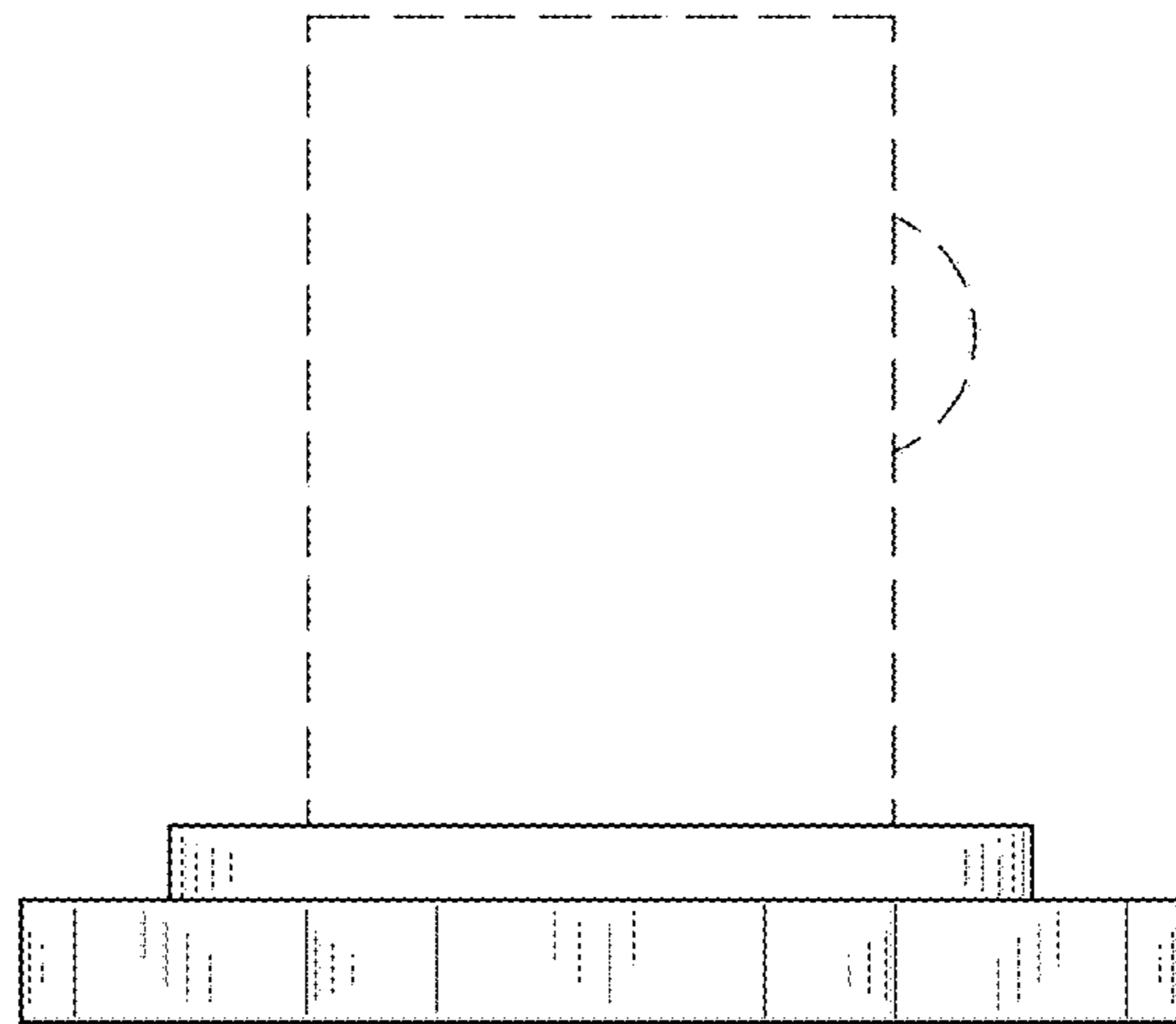


FIG. 3

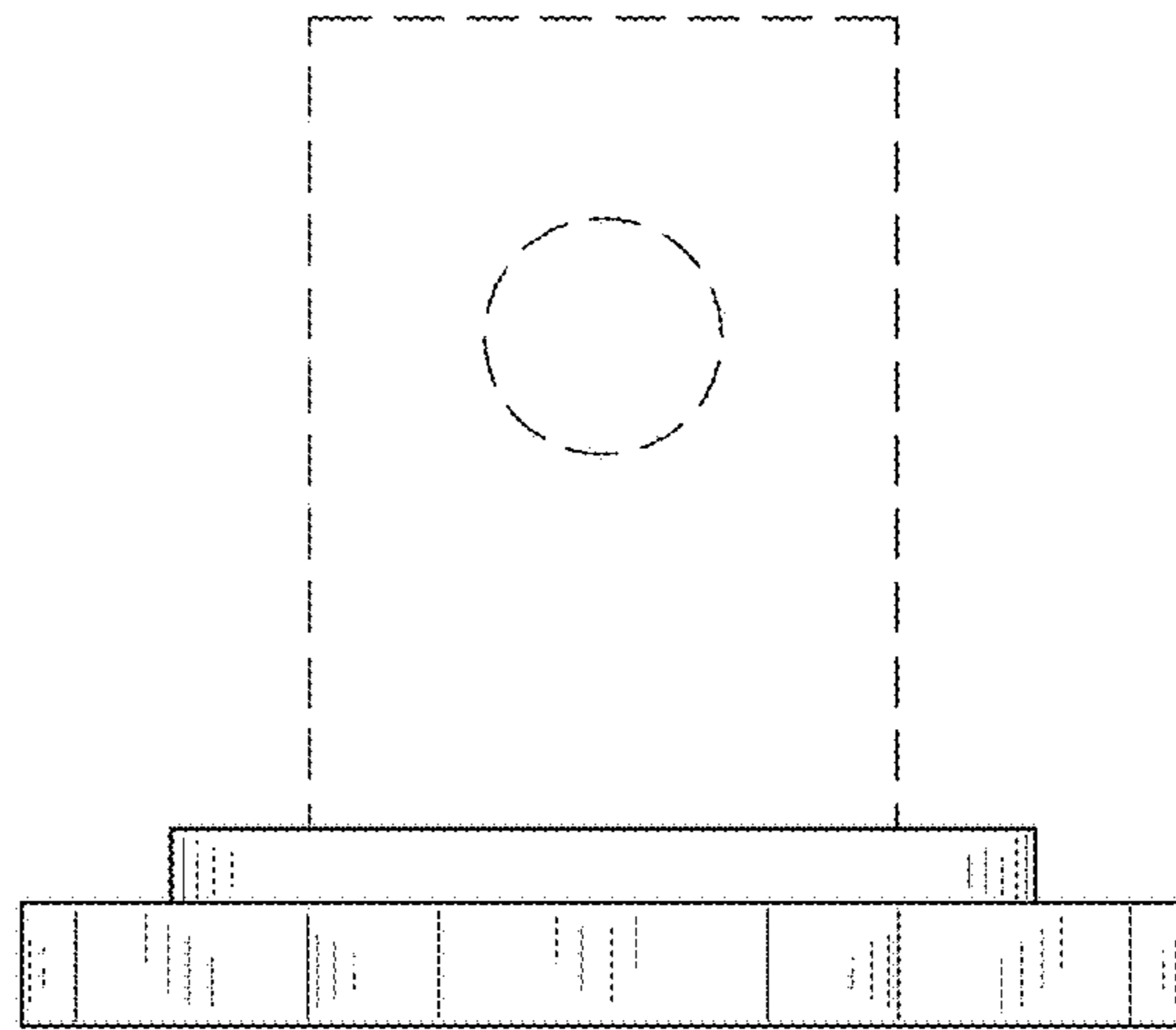


FIG. 4

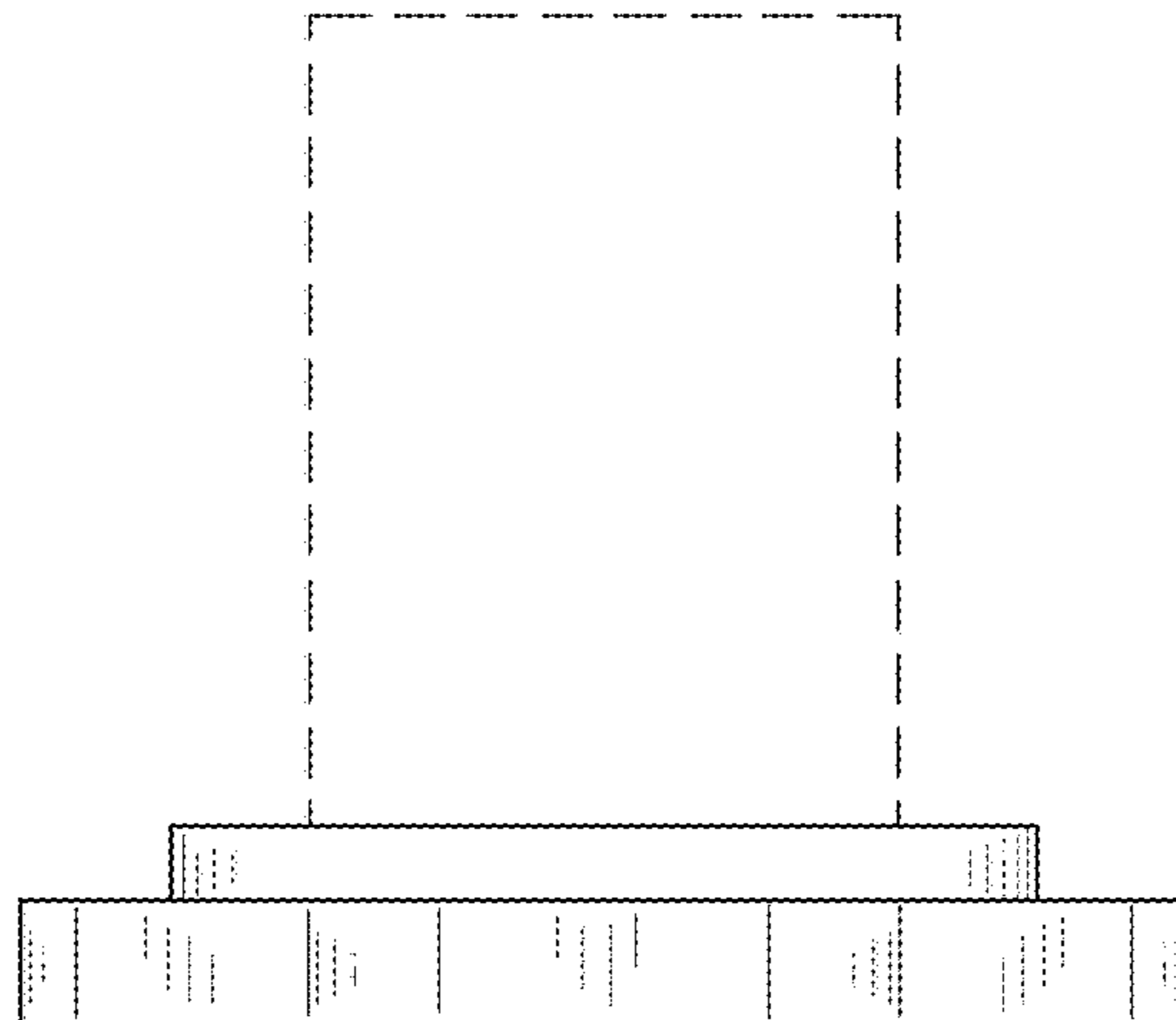


FIG. 5

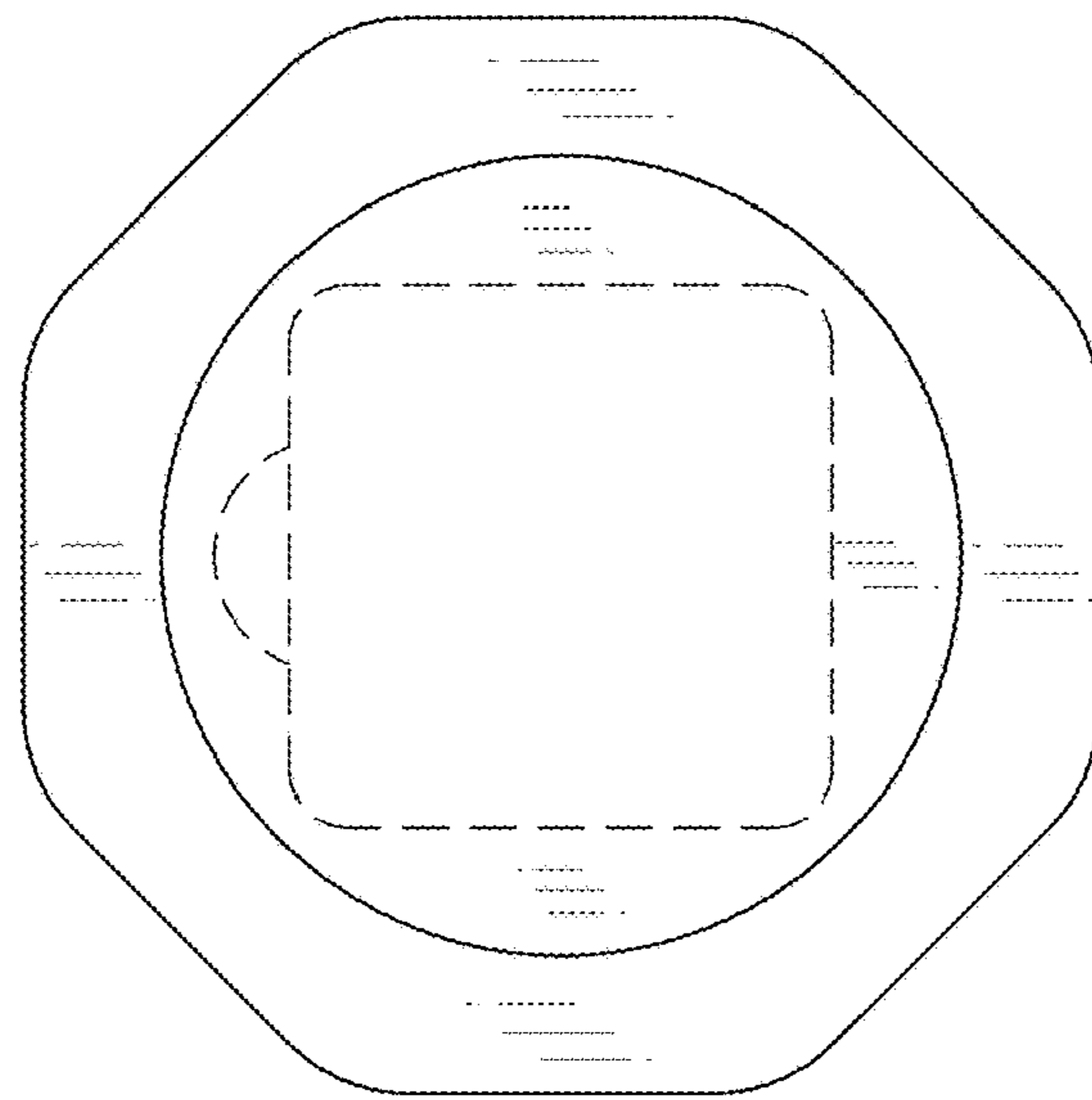


FIG. 6

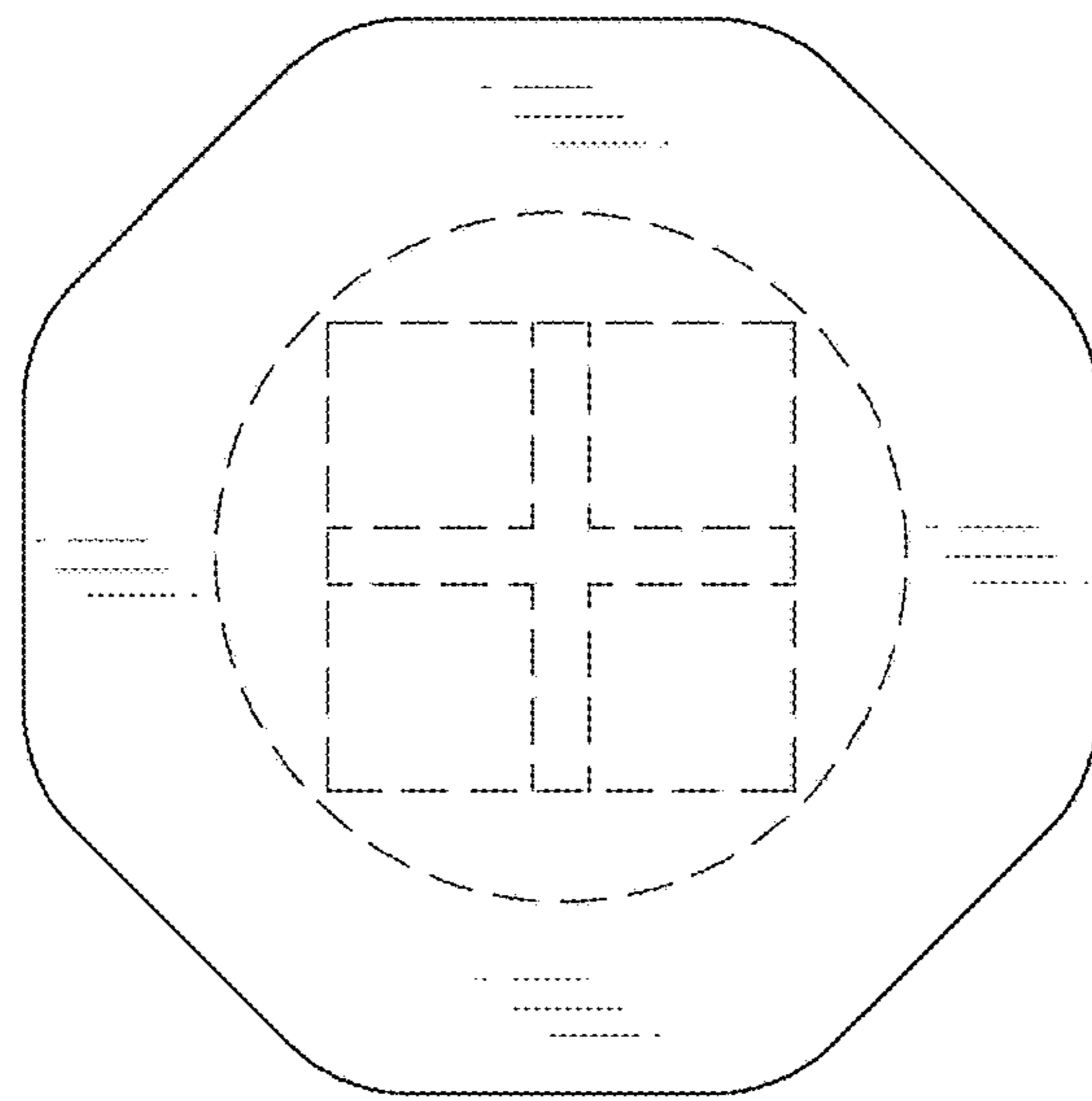


FIG. 7