



US00D839697S

(12) **United States Design Patent**
Heroux

(10) **Patent No.:** **US D839,697 S**

(45) **Date of Patent:** **** Feb. 5, 2019**

(54) **GARBAGE DISPOSAL TOOL**

(71) Applicant: **HIP Innovations, LLC**, South
Burlington, VT (US)

(72) Inventor: **Steve Heroux**, Hidden Hills, CA (US)

(73) Assignee: **HIP Innovations, LLC**, South
Burlington, VT (US)

(**) Term: **15 Years**

(21) Appl. No.: **29/604,090**

(22) Filed: **May 15, 2017**

(51) **LOC (11) Cl.** **08-05**

(52) **U.S. Cl.**
USPC **D8/14**

(58) **Field of Classification Search**
USPC D8/14, 21, 88, 89; D32/40, 46
CPC A47L 17/06; B25B 13/48; B25B 9/00
See application file for complete search history.

(56) **References Cited**

U.S. PATENT DOCUMENTS

- 3,780,393 A * 12/1973 Gaetke A47L 17/06
15/105
- 4,297,761 A * 11/1981 Loos A47L 17/06
15/104.001
- D354,896 S * 1/1995 Lordier D8/14

- D372,650 S * 8/1996 Bundy D8/14
- D396,616 S * 8/1998 McCallum D8/22
- 6,810,776 B1 * 11/2004 Green B25B 13/48
81/442
- D795,029 S * 8/2017 Sowieja D7/693

* cited by examiner

Primary Examiner — Philip S Hyder

(74) *Attorney, Agent, or Firm* — Downs Rachlin Martin
PLLC

(57) **CLAIM**

The ornamental design for a garbage disposal tool, as shown
and described.

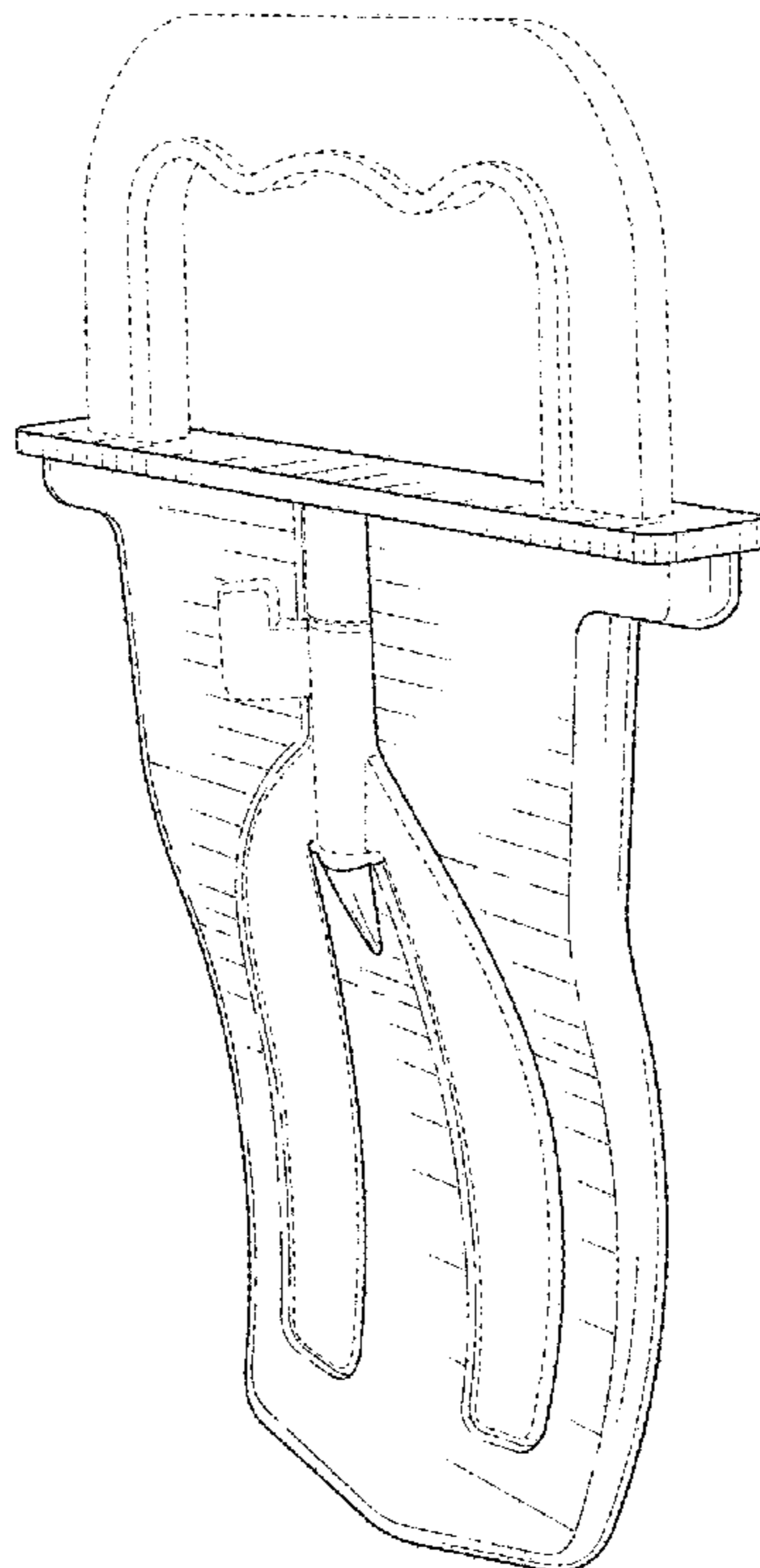
DESCRIPTION

FIG. 1 is a perspective view of a garbage disposal tool
showing my new design;
FIG. 2 is a front view thereof;
FIG. 3 is a rear view thereof;
FIG. 4 is a side view thereof;
FIG. 5 is a second side view thereof;
FIG. 6 is a top view thereof; and,
FIG. 7 is a bottom view thereof.

The broken lines in the Figures are for the purpose of
illustrating unclaimed portions of the garbage disposal tool
and form no part of the claimed design.

The shade lines in the Figures show contour and not surface
ornamentation.

1 Claim, 3 Drawing Sheets



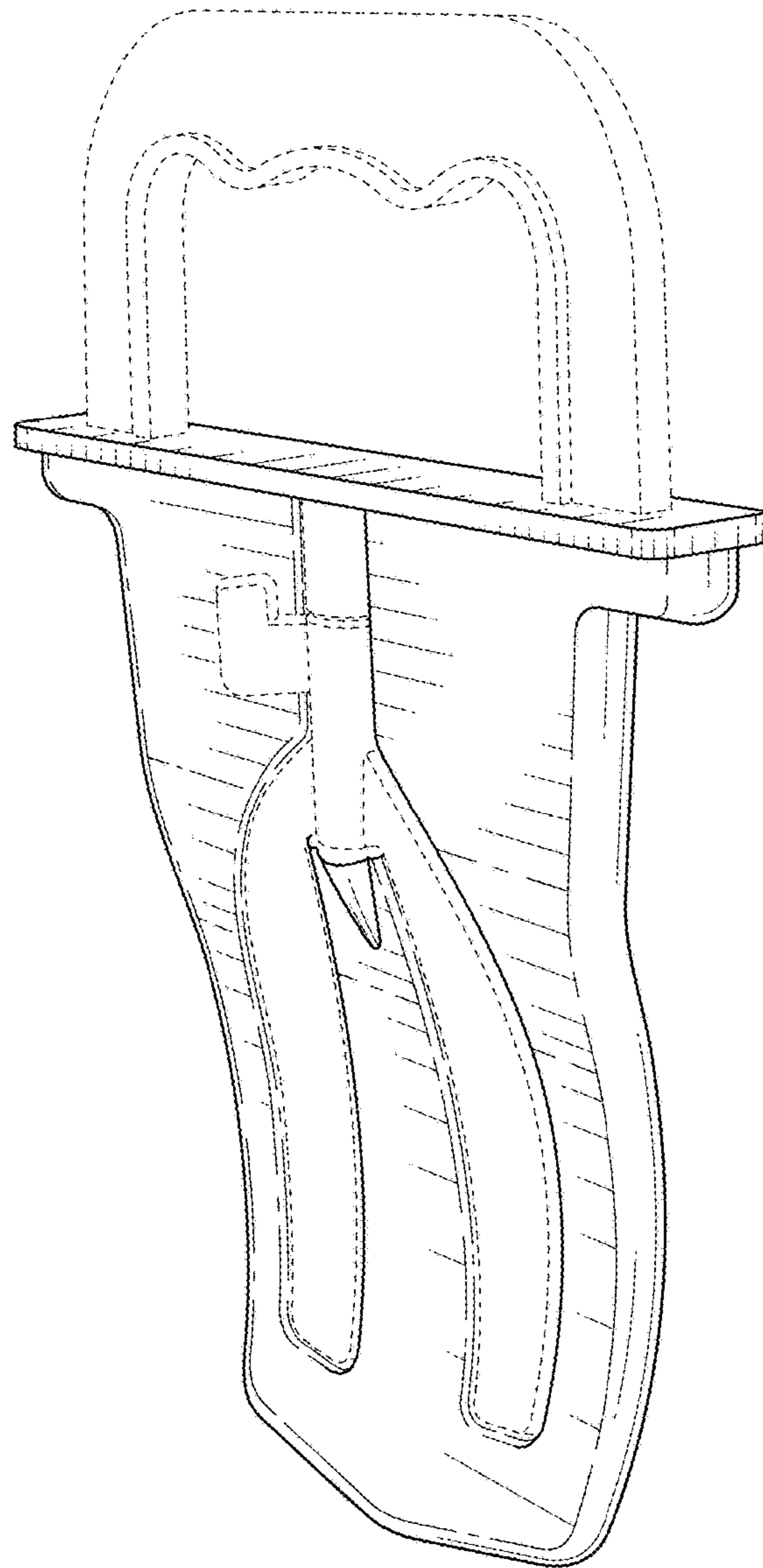


FIG. 1

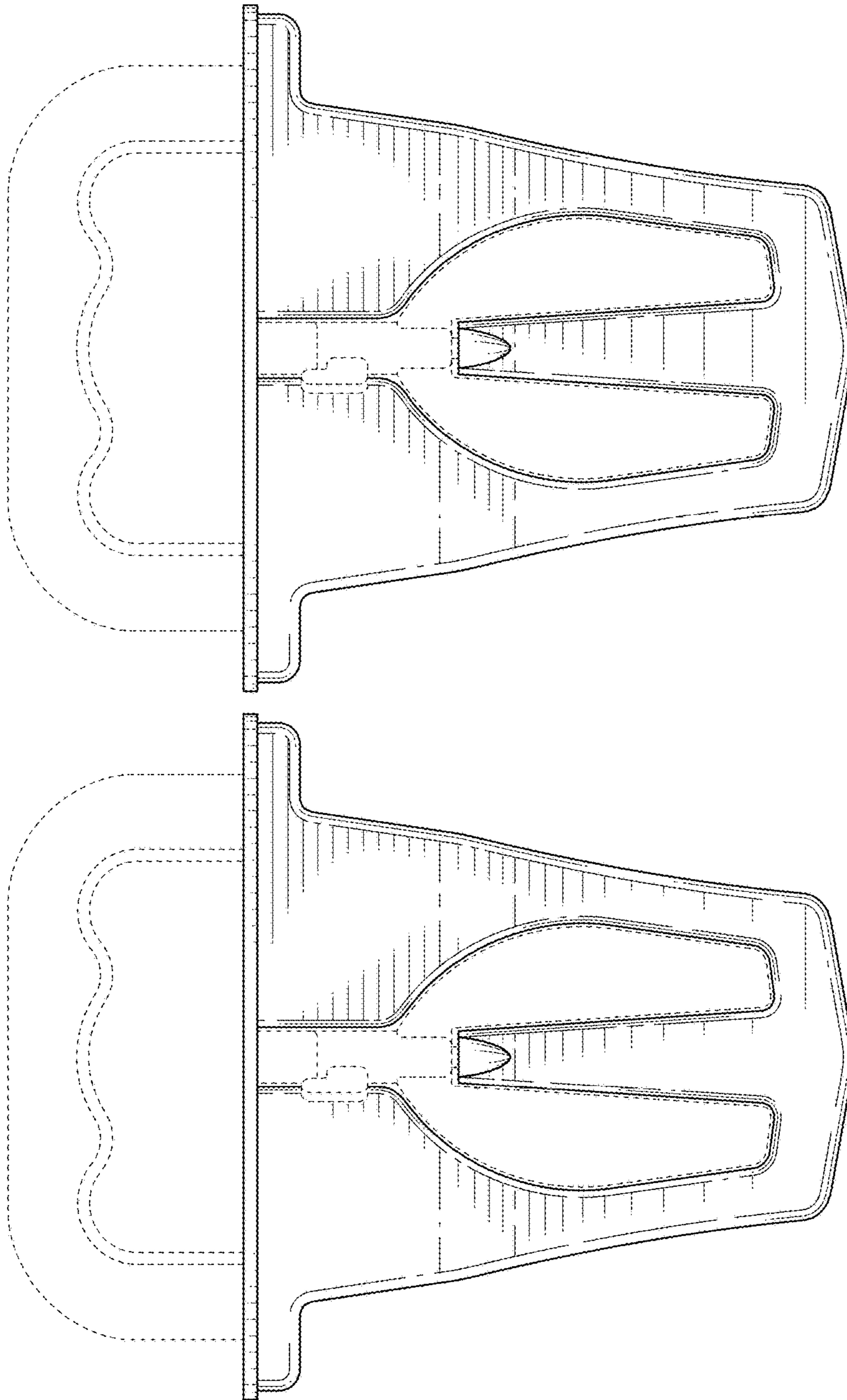


FIG. 3

FIG. 2

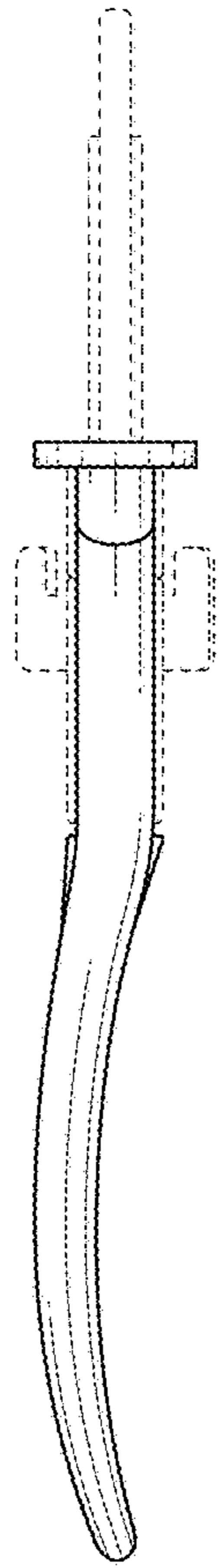


FIG. 4

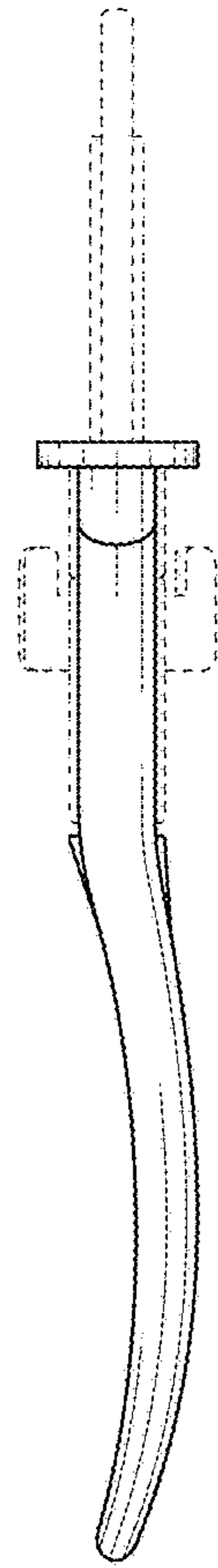


FIG. 5

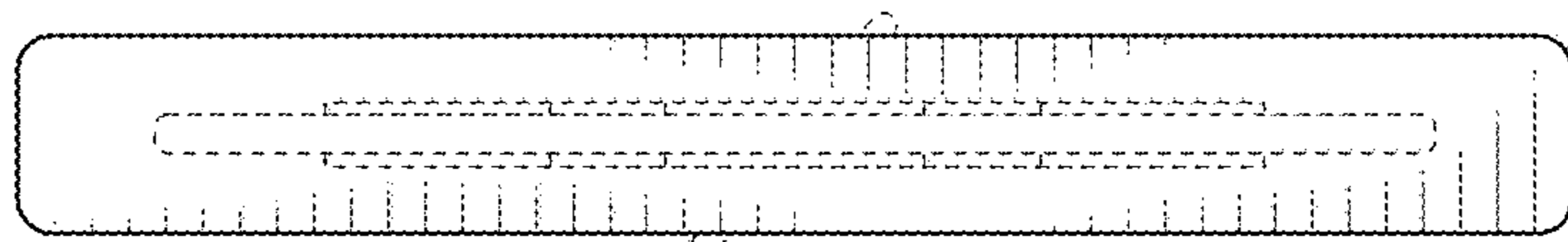


FIG. 6

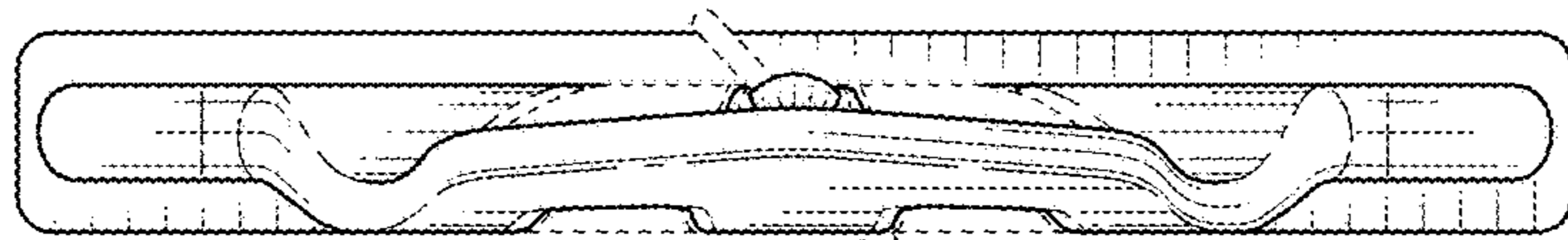


FIG. 7