



US00D839696S

(12) **United States Design Patent**
Riddle

(10) **Patent No.:** **US D839,696 S**

(45) **Date of Patent:** **** Feb. 5, 2019**

(54) **ANCHOR DEVICE**

(71) Applicant: **Travis A. Riddle**, Canton, NC (US)

(72) Inventor: **Travis A. Riddle**, Canton, NC (US)

(**) Term: **15 Years**

(21) Appl. No.: **29/625,609**

(22) Filed: **Nov. 10, 2017**

(51) **LOC (11) Cl.** **08-01**

(52) **U.S. Cl.**
USPC **D8/1; D21/840**

(58) **Field of Classification Search**
USPC D8/1, 71, 349, 354, 356, 367, 383, 388,
D8/391, 499; D21/840
CPC . A01G 9/122; A01G 5/04; A01G 9/12; A01G
17/10; A47G 7/041; A45F 3/44; E04H
15/62; G09F 7/18; F16B 15/0046; E02D
5/80
See application file for complete search history.

4,830,142 A * 5/1989 McManus E06C 1/381
182/100
D335,802 S * 5/1993 Klump D8/1
D353,477 S * 12/1994 Terry D30/154
5,379,504 A 1/1995 Sovitch et al.
D386,323 S * 11/1997 Davis D3/10
D400,079 S * 10/1998 Chase D8/349
6,334,596 B1 * 1/2002 Temple A45F 3/44
248/156
6,374,777 B1 * 4/2002 Willinger A01K 1/04
119/787
6,481,364 B2 11/2002 Woyjeck
6,606,829 B2 8/2003 Benincasa et al.
D485,525 S * 1/2004 Dvorak 114/299
D485,601 S * 1/2004 Bertram D22/147
7,163,021 B1 * 1/2007 Matsushita E04H 15/64
119/786
D721,254 S * 1/2015 Cyphers D8/1
9,080,587 B1 * 7/2015 Smith F16B 15/02
D750,735 S * 3/2016 Nakamichi D22/147
D824,227 S * 7/2018 Stender D8/1

(Continued)

Primary Examiner — Sandra S Snapp
Assistant Examiner — Ieisha N Price
(74) *Attorney, Agent, or Firm* — The Van Winkle Law
Firm; William G. Heedy

(56) **References Cited**

U.S. PATENT DOCUMENTS

362,183 A * 5/1887 Runyon E02D 5/803
52/162
2,924,338 A * 2/1960 Sharp A45F 3/44
211/205
3,009,550 A * 11/1961 Deamund E04F 10/0666
52/153
3,143,817 A * 8/1964 Paulson E01F 9/658
173/126
3,508,525 A * 4/1970 Sawyer A01K 1/04
119/780
D250,281 S * 11/1978 Laukhuf D7/602
D261,853 S * 11/1981 Gigante D8/1
4,378,650 A * 4/1983 Ottoson E02D 5/80
40/607.06
4,745,706 A * 5/1988 Muza A01G 29/00
47/47

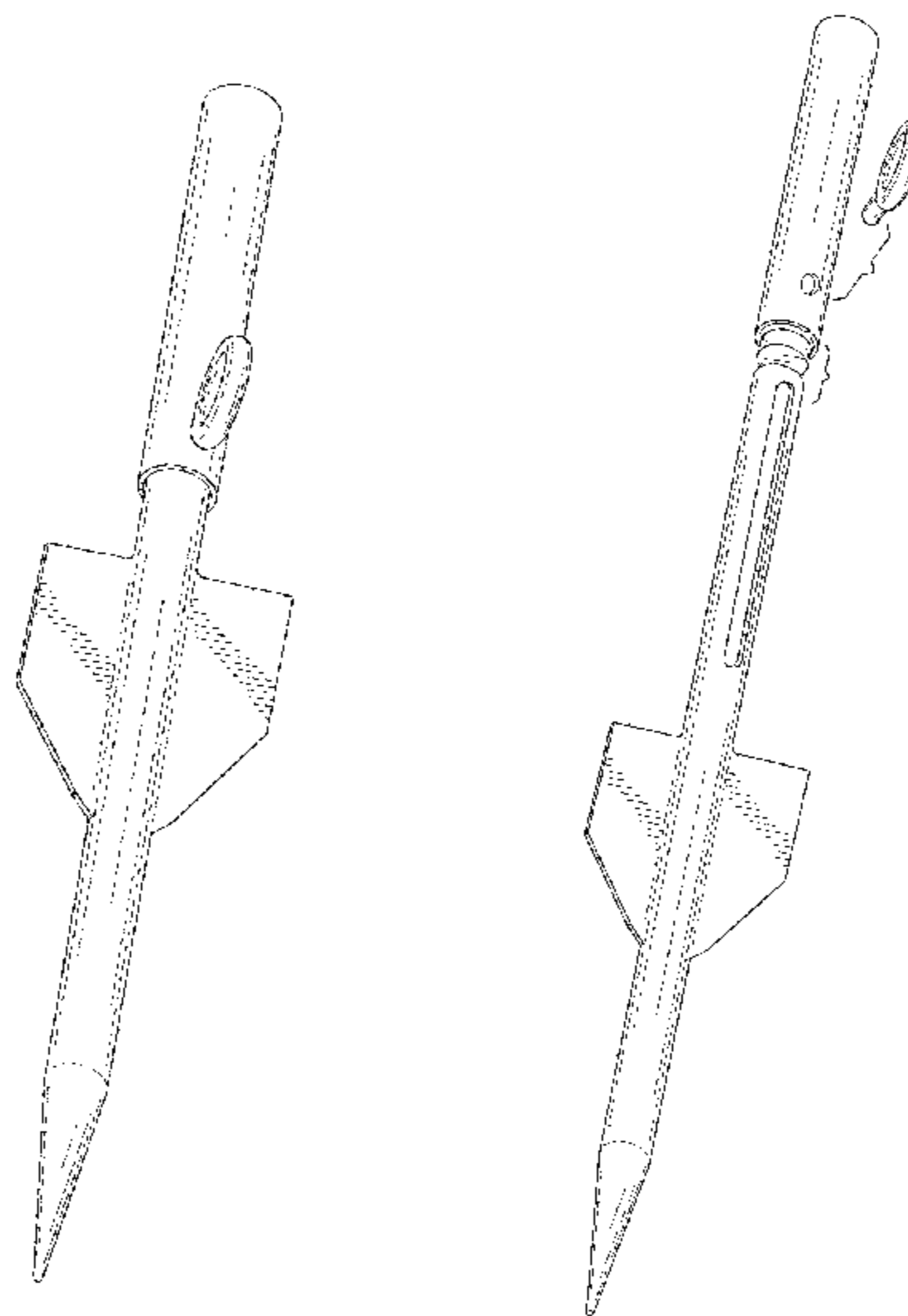
(57) **CLAIM**

The ornamental design for an anchor device, as shown and described.

DESCRIPTION

FIG. 1 is a perspective view of an anchor device;
FIG. 2 is a front elevational view thereof;
FIG. 3 is a rear elevational view thereof;
FIG. 4 is a left side elevational view thereof;
FIG. 5 is a right side elevational view thereof;
FIG. 6 is a top plan view thereof;
FIG. 7 is a bottom plan view thereof; and,
FIG. 8 is an exploded view thereof.

1 Claim, 5 Drawing Sheets



(56)

References Cited

U.S. PATENT DOCUMENTS

2004/0237453 A1 * 12/2004 Eaton E04H 12/2215
52/698

2005/0274083 A1 12/2005 Shearer

* cited by examiner

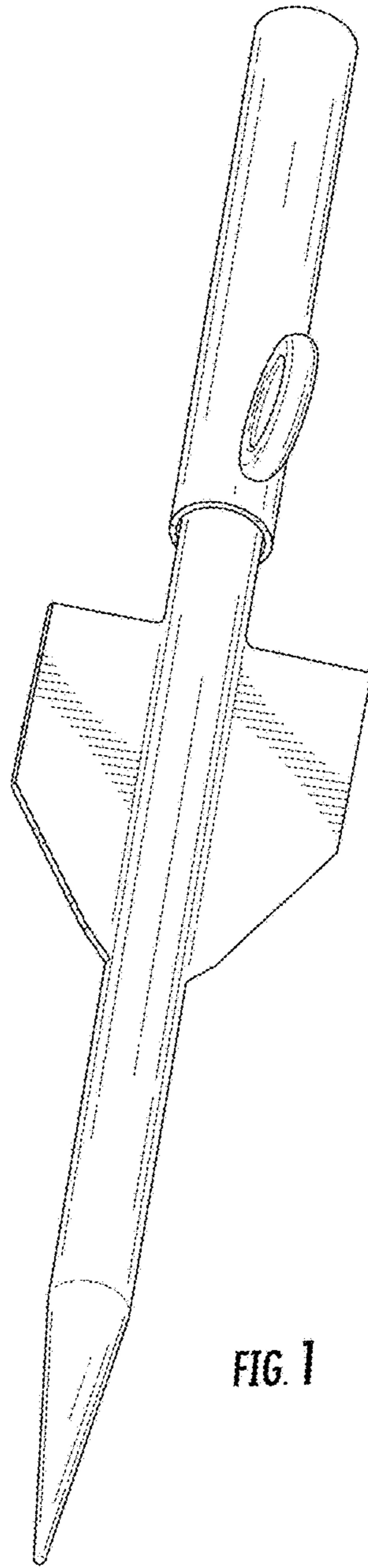


FIG. 1

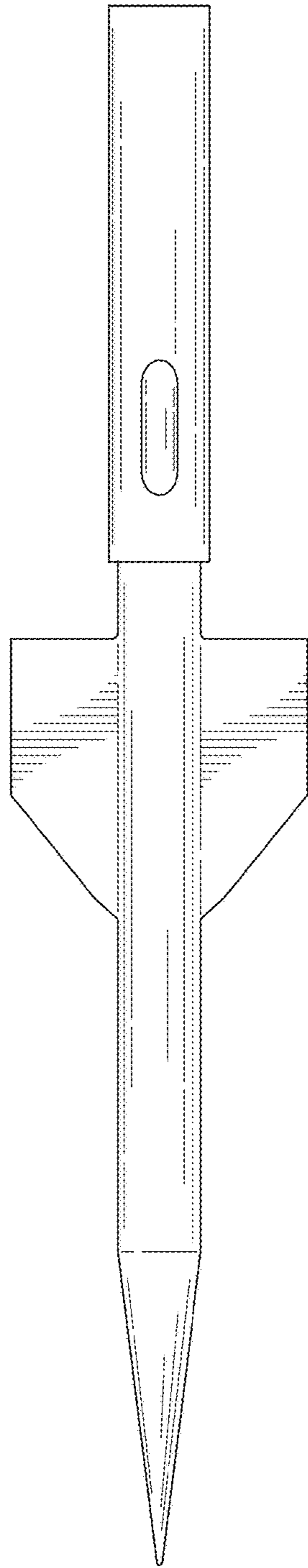


FIG. 2

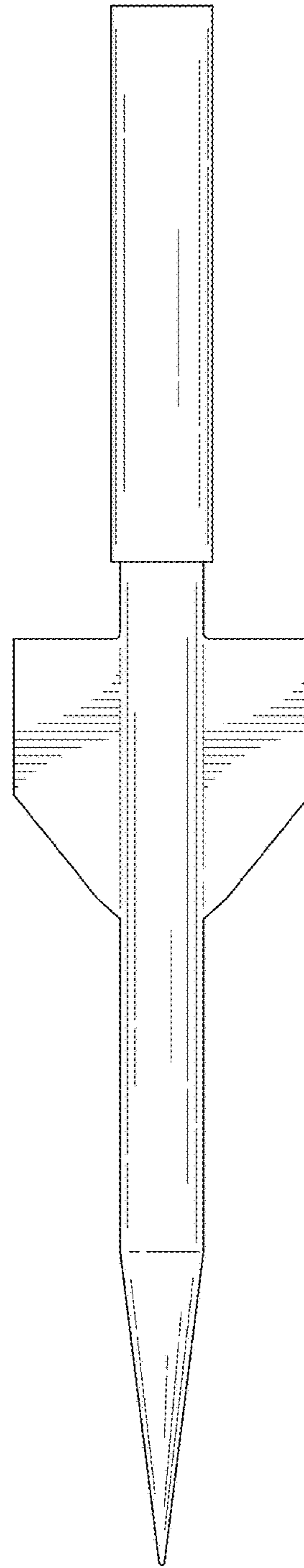


FIG. 3

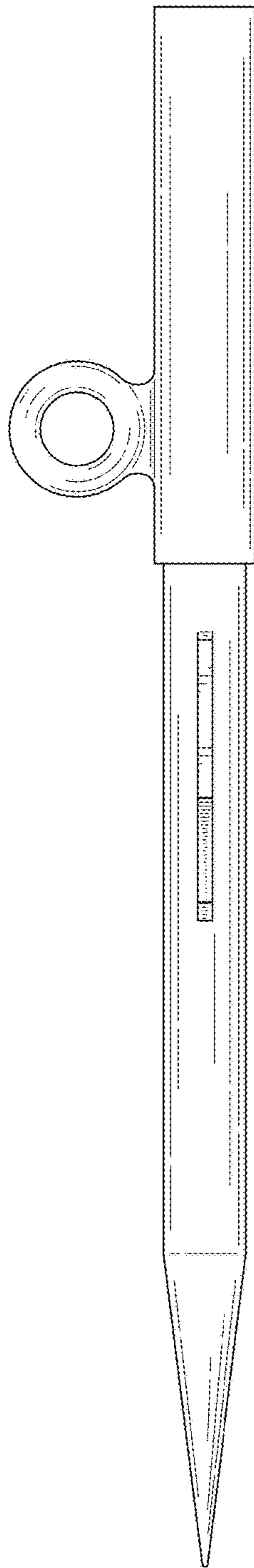


FIG. 4

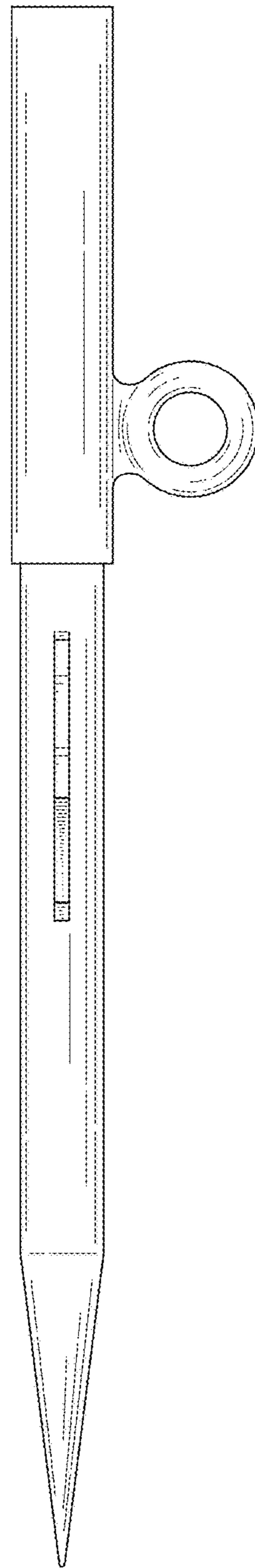


FIG. 5

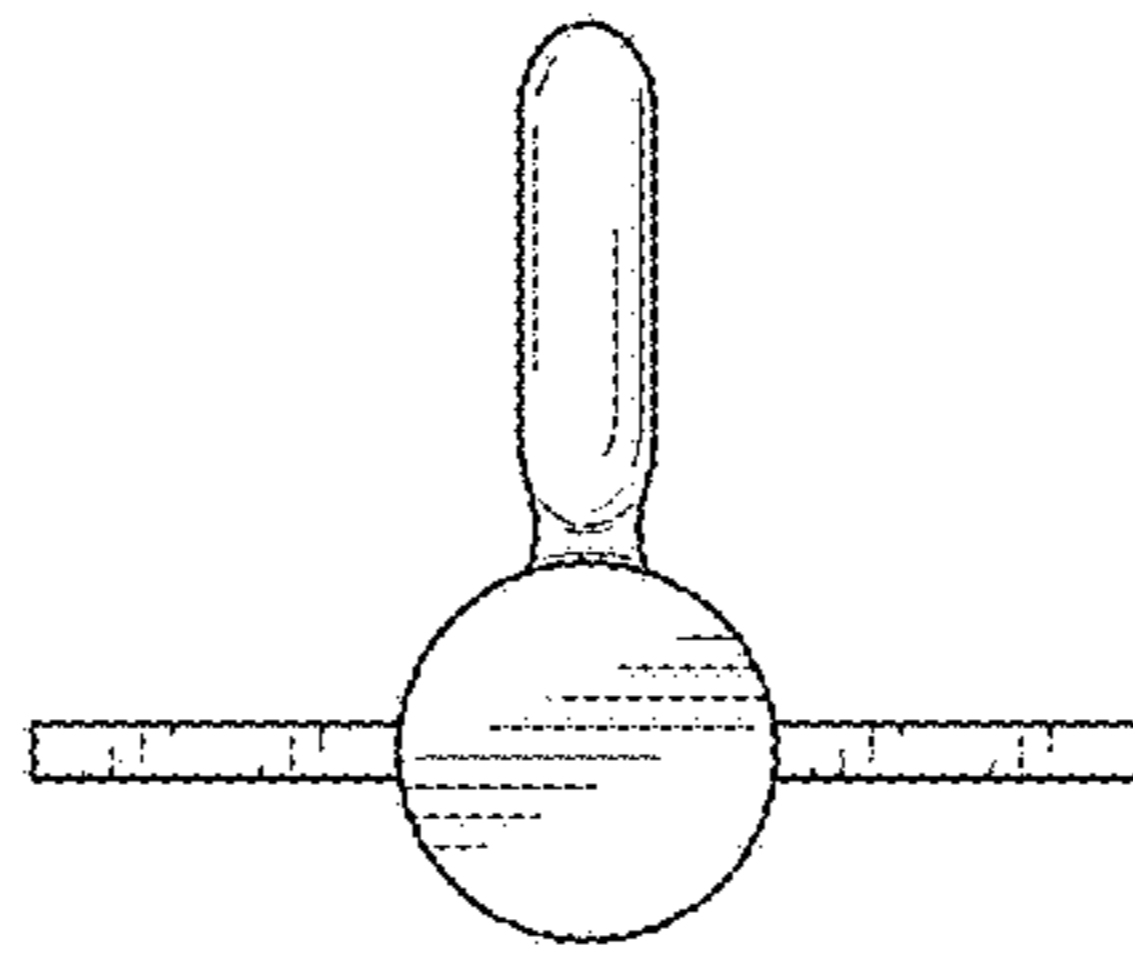


FIG. 6

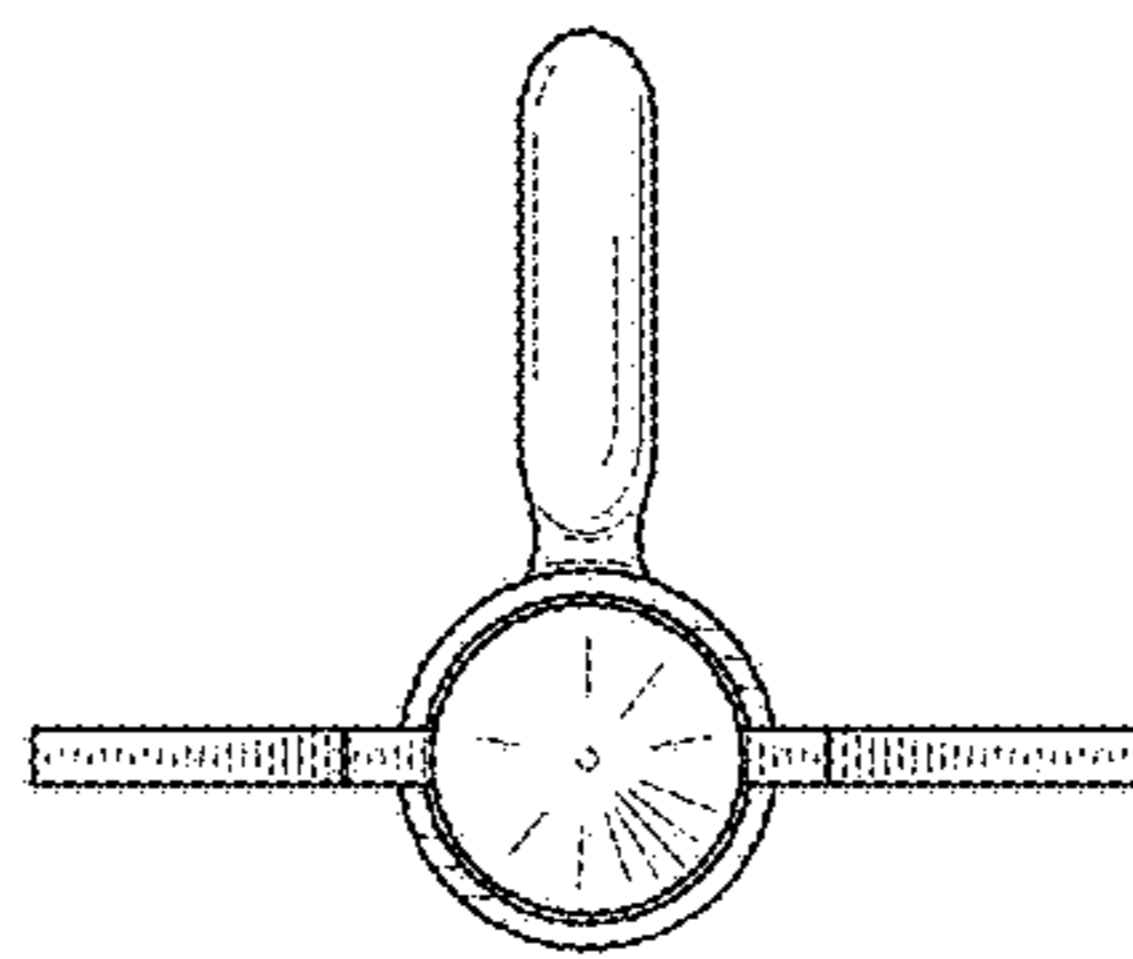


FIG. 7

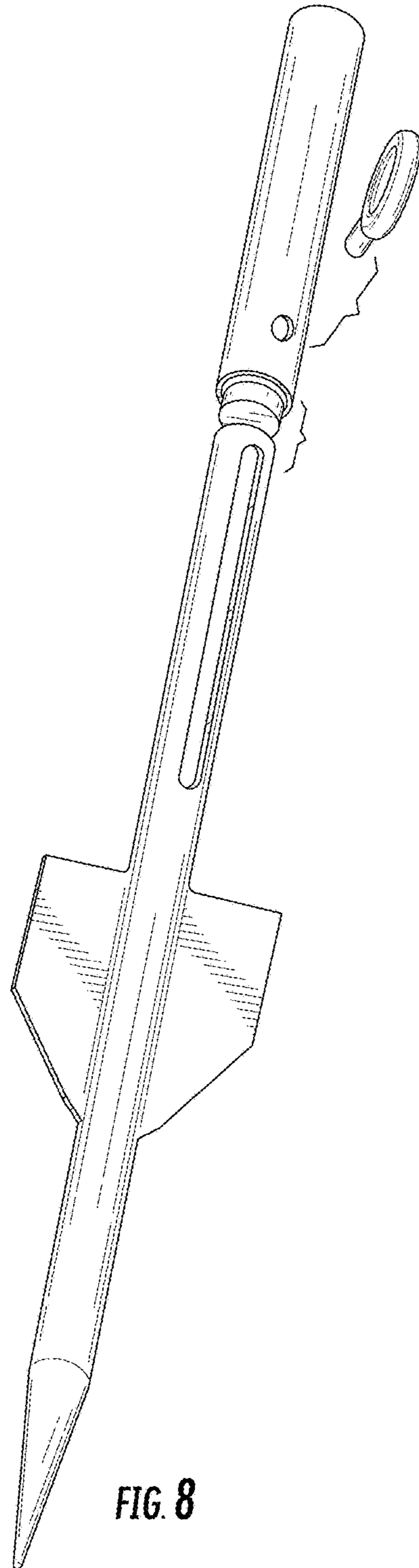


FIG. 8