



US00D839692S

(12) **United States Design Patent**
Meyer, Sr.

(10) **Patent No.:** **US D839,692 S**

(45) **Date of Patent:** **** Feb. 5, 2019**

- (54) **OYSTER KNIFE**
- (71) Applicant: **David Allen Meyer, Sr.**, Saint Bernard, LA (US)
- (72) Inventor: **David Allen Meyer, Sr.**, Saint Bernard, LA (US)
- (**) Term: **15 Years**

5,830,049	A *	11/1998	Haley	A22C 29/024	452/6
7,578,731	B1 *	8/2009	Moore	A22B 5/0047	452/103
9,119,404	B2	9/2015	Rotello			
D740,624	S	10/2015	Fuhrman			
2003/0110572	A1	6/2003	Percival			
2003/0134585	A1	7/2003	Maloni			
2015/0147947	A1 *	5/2015	Rotello	A22C 29/046	452/13

- (21) Appl. No.: **29/621,301**
- (22) Filed: **Oct. 6, 2017**
- (51) **LOC (11) Cl.** **07-04**
- (52) **U.S. Cl.**
USPC **D7/693**
- (58) **Field of Classification Search**
USPC D7/680-696, 393, 395, 368, 669, D7/649-652; D8/14, 98-104, 105, 107
CPC A47G 21/06; A47G 21/065; A47G 21/067; A47G 21/061; A47G 21/062; A47G 29/066; B25G 1/10; B25G 3/26; A22C 29/00; A22C 29/027; A22C 29/024; A22C 29/046; A22C 29/04; A22C 29/062; A22C 29/067
See application file for complete search history.

FOREIGN PATENT DOCUMENTS

FR	2783146	3/2000
FR	2783147	3/2000
FR	2960466	12/2011

* cited by examiner

Primary Examiner — Terry A Wallace

(74) *Attorney, Agent, or Firm* — Keaty Law Firm LLC

(57) **CLAIM**

The ornamental design for an oyster knife, as shown and described.

DESCRIPTION

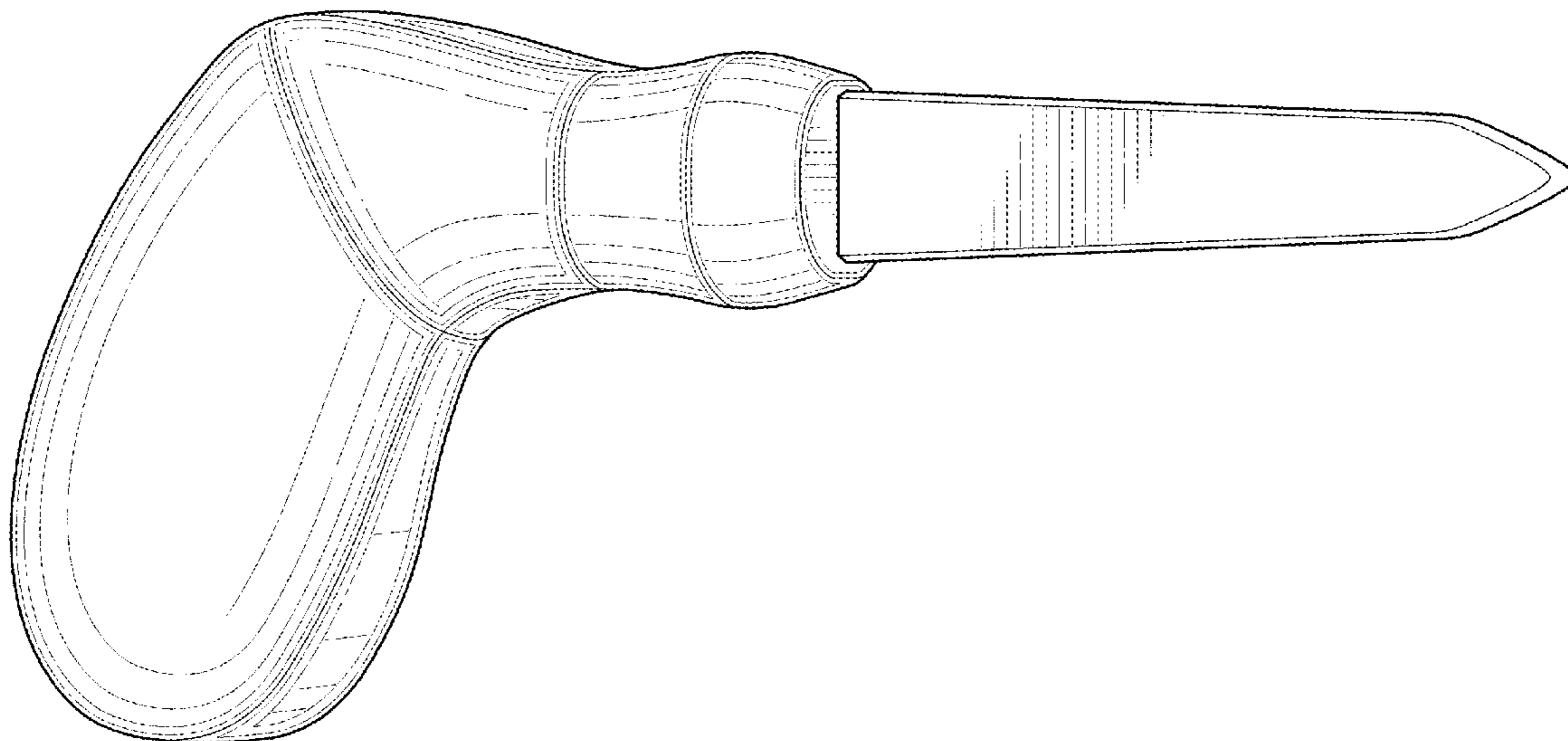
FIG. 1 is a perspective view of the ornamental design for an oyster knife according to the present invention.
 FIG. 2 is a right-side view of the oyster knife shown in FIG. 1.
 FIG. 3 is a left-side view of the oyster knife shown in FIG. 1, opposite the right-side view of FIG. 2.
 FIG. 4 is a top view of the oyster knife shown in FIG. 1.
 FIG. 5 is a bottom view of the oyster knife shown in FIG. 1, opposite the top view shown in FIG. 4.
 FIG. 6 is a front view of the oyster knife shown in FIG. 1; and,
 FIG. 7 is a back view of the oyster knife shown in FIG. 1, opposite the front view shown in FIG. 6.

1 Claim, 5 Drawing Sheets

(56) **References Cited**

U.S. PATENT DOCUMENTS

2,653,638	A *	9/1953	Nelson	A47J 43/26	30/120.2
3,299,510	A *	1/1967	Taormina	A47J 17/02	30/279.6
D229,739	S	1/1974	Briddell			
4,477,943	A *	10/1984	Grush, Jr.	A47G 21/065	30/287
5,033,987	A *	7/1991	Bloch	A22B 3/10	30/314
D379,914	S *	6/1997	Bloch	D22/118	



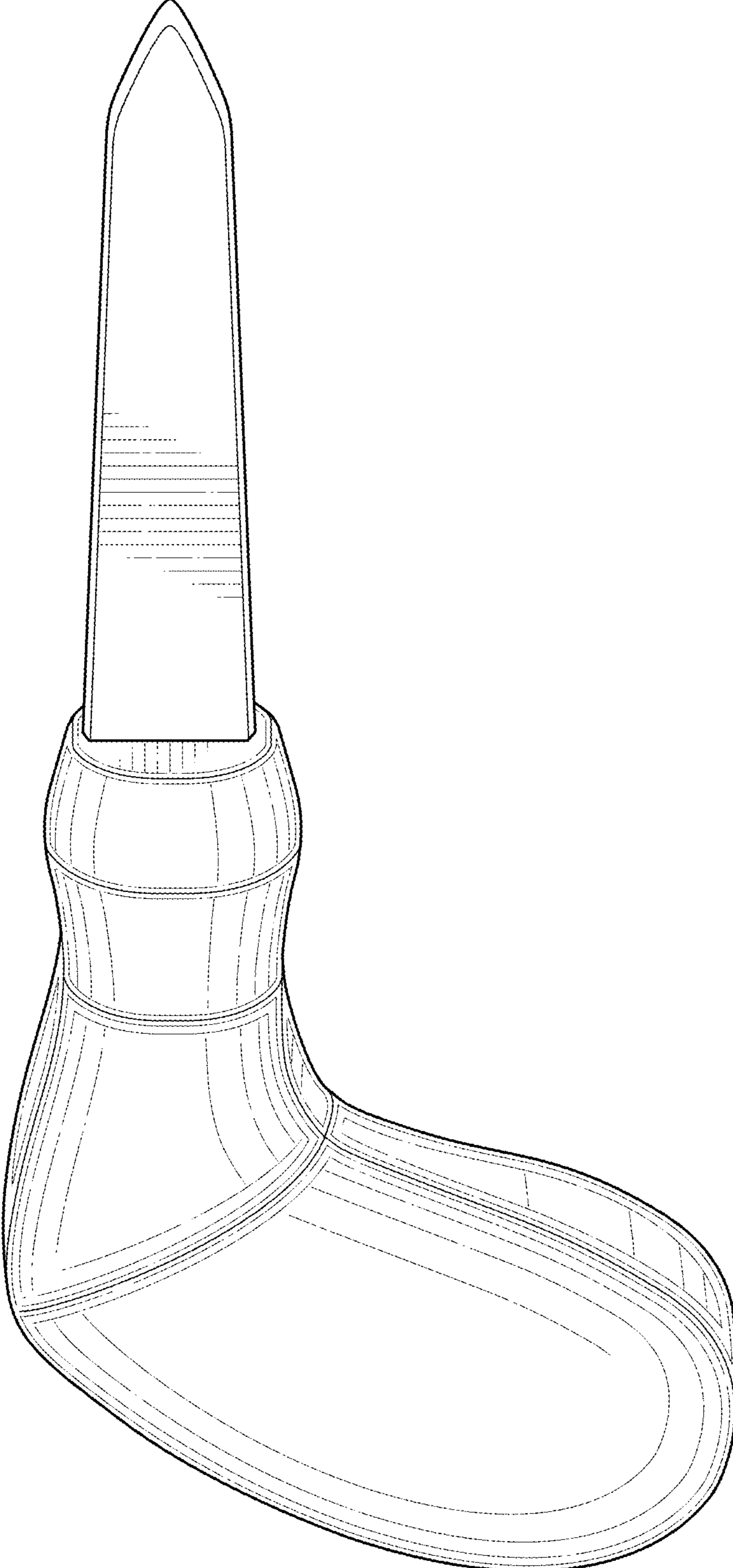


FIG. 1

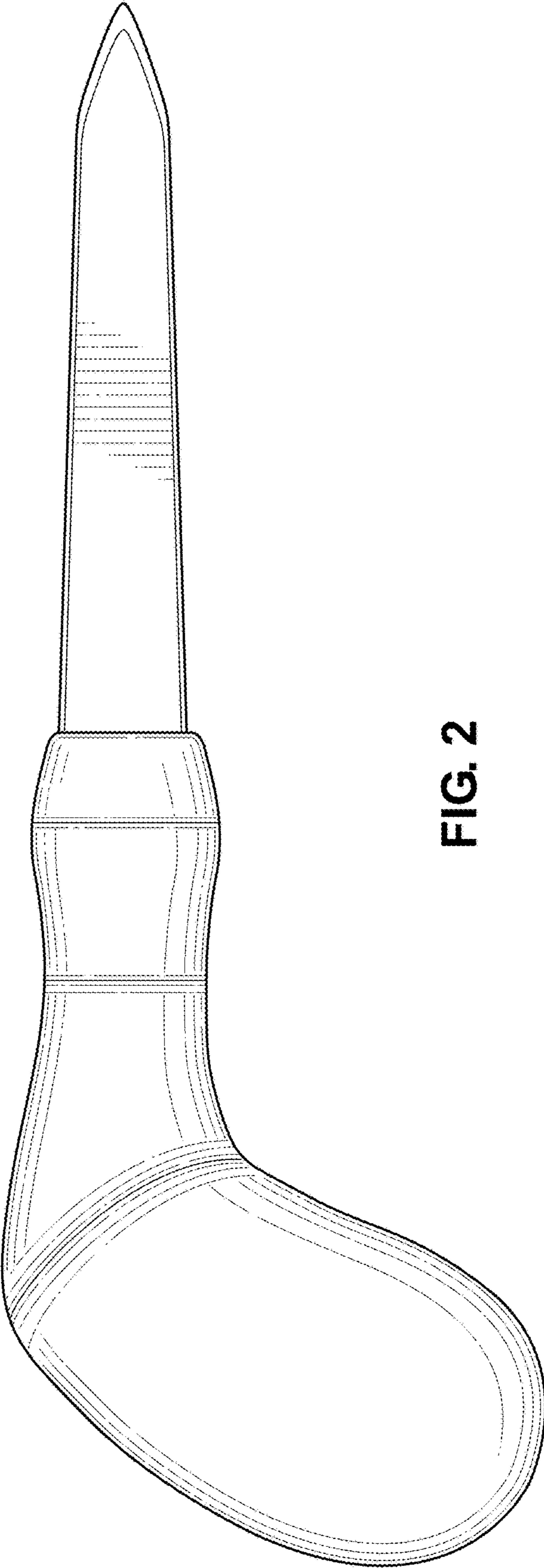


FIG. 2

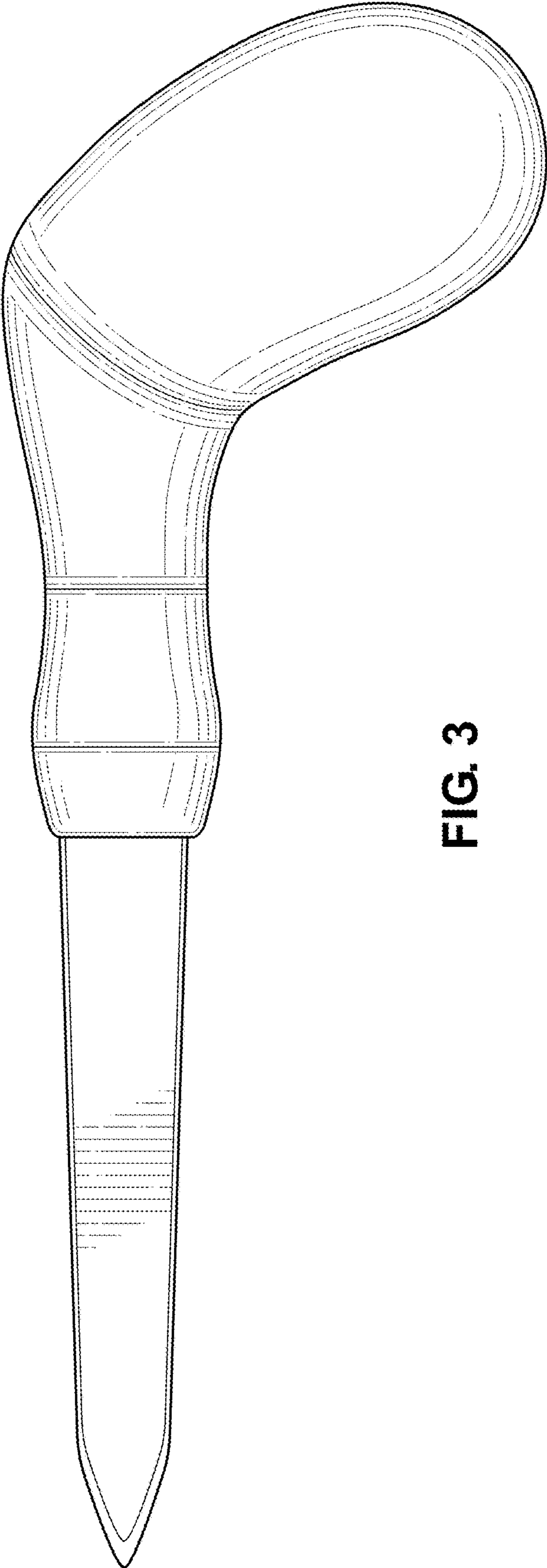


FIG. 3

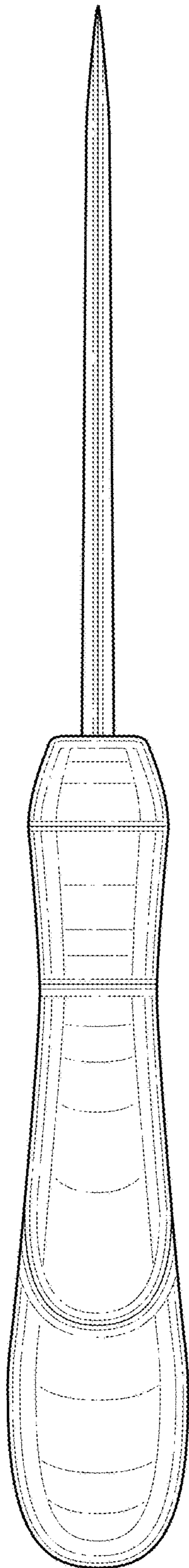


FIG. 4

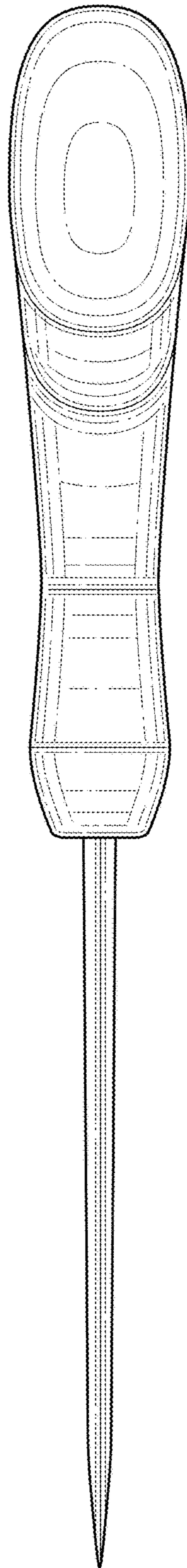


FIG. 5

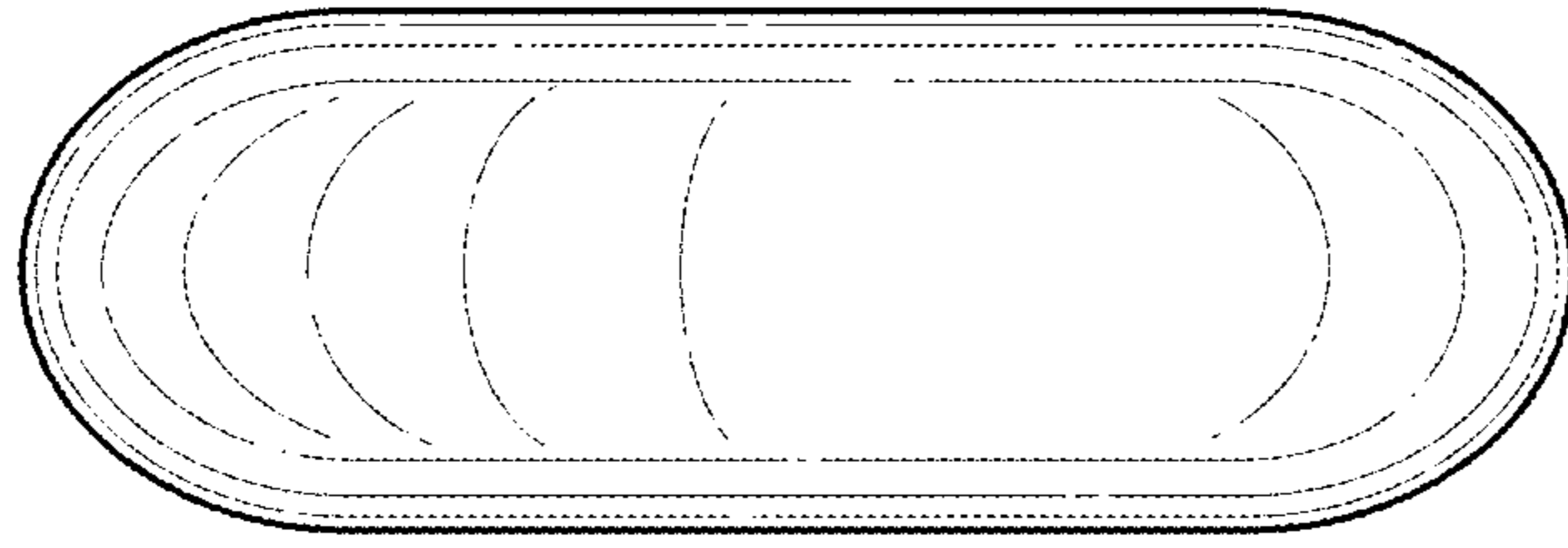


FIG. 7

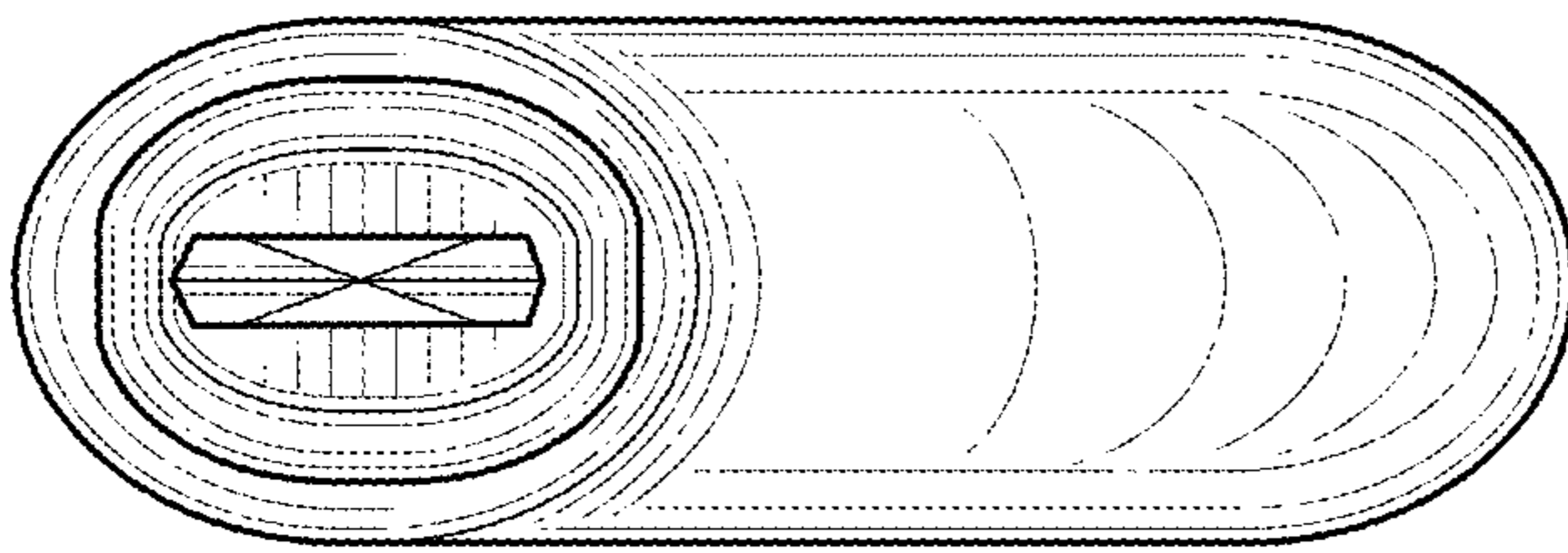


FIG. 6