



US00D839691S

(12) **United States Design Patent**  
**Fleming**

(10) **Patent No.:** **US D839,691 S**

(45) **Date of Patent:** **\*\* Feb. 5, 2019**

(54) **SPOON IMPLEMENT**

7,484,299 B1 2/2009 Fleming

\* cited by examiner

(71) Applicant: **Christian Fleming**, Birmingham, AL  
(US)

*Primary Examiner* — Terry A Wallace

(74) *Attorney, Agent, or Firm* — Ashkan Najafi

(72) Inventor: **Christian Fleming**, Birmingham, AL  
(US)

(57) **CLAIM**

The ornamental design for a spoon implement, as shown and described.

(\*\*) Term: **15 Years**

**DESCRIPTION**

(21) Appl. No.: **29/613,482**

FIG. 1 is a perspective view of a spoon implement in communication with a spoon housing showing my new design;

(22) Filed: **Aug. 10, 2017**

FIG. 2 is a top plan view thereof;

(51) **LOC (11) Cl.** ..... **07-04**

FIG. 3 is a bottom plan view thereof;

(52) **U.S. Cl.**

USPC ..... **D7/669**; D7/688; D7/691

FIG. 4 is a left side elevational view thereof;

(58) **Field of Classification Search**

USPC ..... D7/680–696, 393, 395; D8/14, 16, 47,  
D8/88, 105

FIG. 5 is a right side elevational view thereof;

CPC ..... A47G 21/04; A47F 13/08; A47J 19/00;  
A47J 43/24; A47J 43/28; A47J 47/20;

FIG. 6 is a front elevational view thereof;

A01B 1/02

FIG. 7 is a rear elevational view thereof;

See application file for complete search history.

FIG. 8 is a perspective view of the spoon implement removed from the spoon housing;

FIG. 9 is another perspective view thereof;

(56) **References Cited**

**U.S. PATENT DOCUMENTS**

D247,367 S \* 2/1978 Dragan ..... 433/214  
D248,143 S \* 6/1978 Cannon ..... D7/647  
4,835,864 A \* 6/1989 Tang ..... A47G 21/02  
30/122  
6,851,574 B1 \* 2/2005 Traynor ..... A47G 21/04  
222/1

FIG. 10 is a top plan view thereof;

FIG. 11 is a bottom plan view thereof;

FIG. 12 is a left side elevational view thereof;

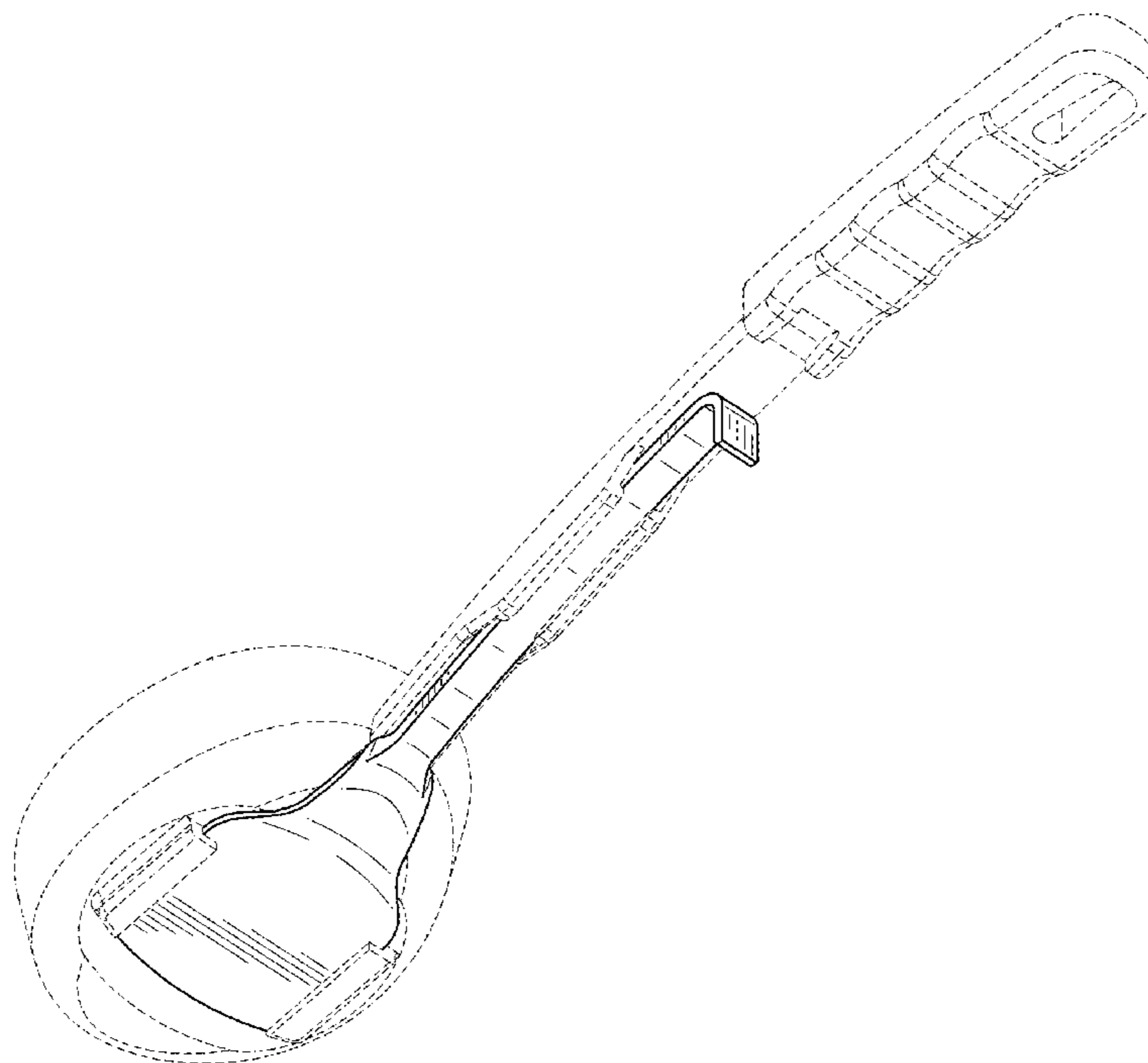
FIG. 13 is a right side elevational view thereof;

FIG. 14 is a front elevational view thereof; and,

FIG. 15 is a rear elevational view thereof.

The broken lines of the spoon housing in the figures are for illustrative purposes only and are hereby disclaimed as forming no part of Applicant's claimed invention.

**1 Claim, 8 Drawing Sheets**



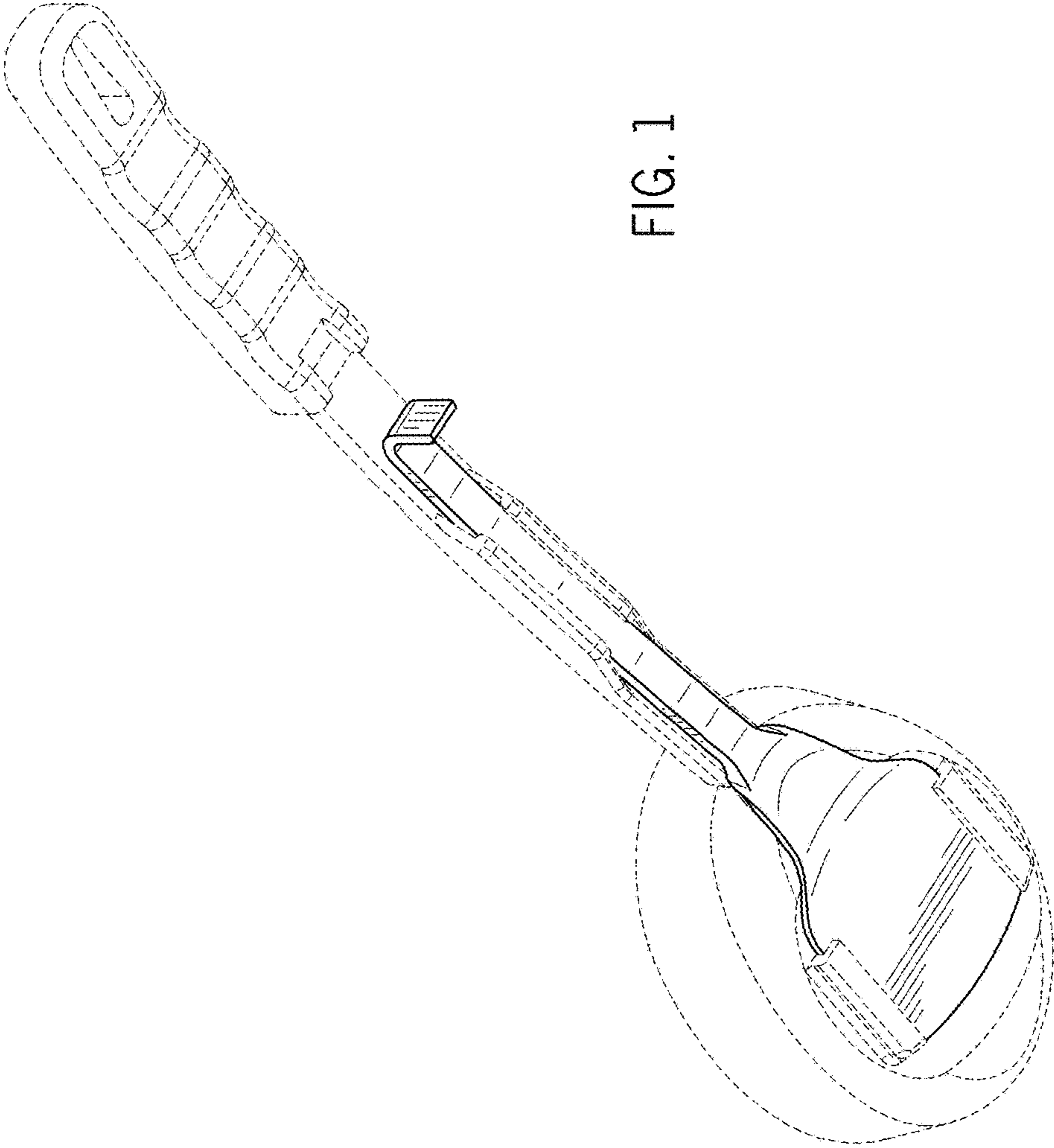
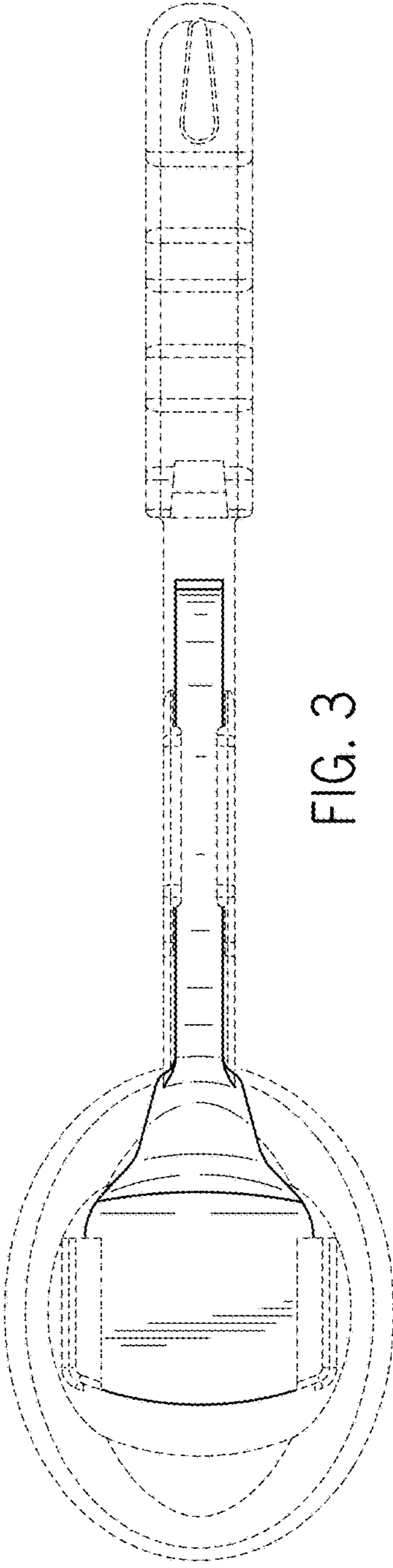
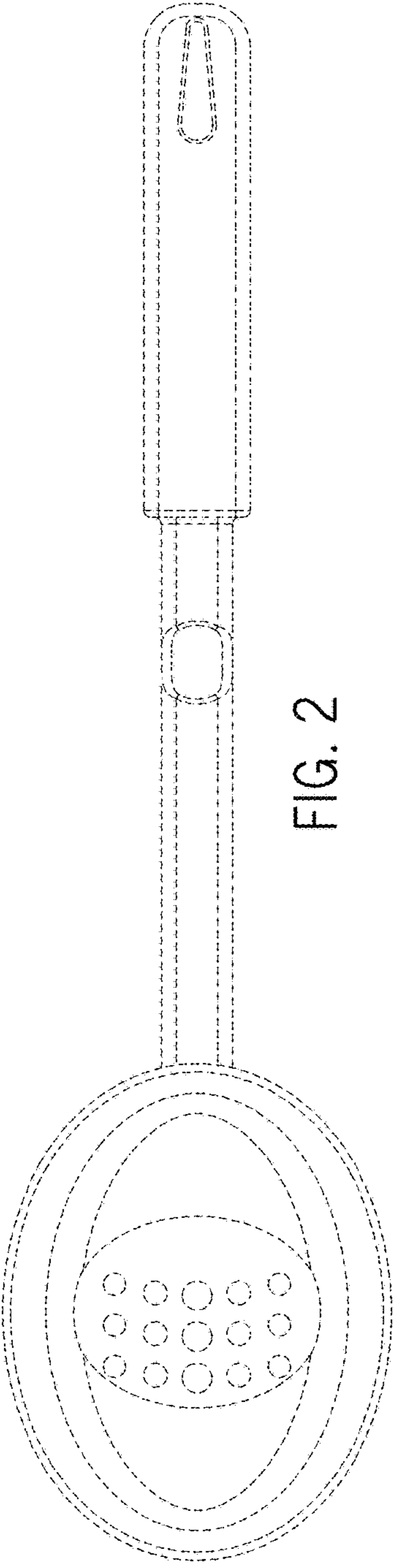
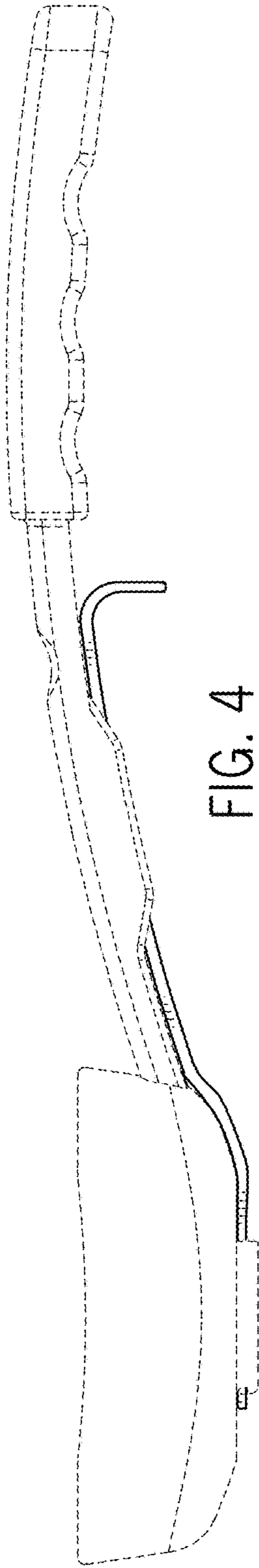


FIG. 1





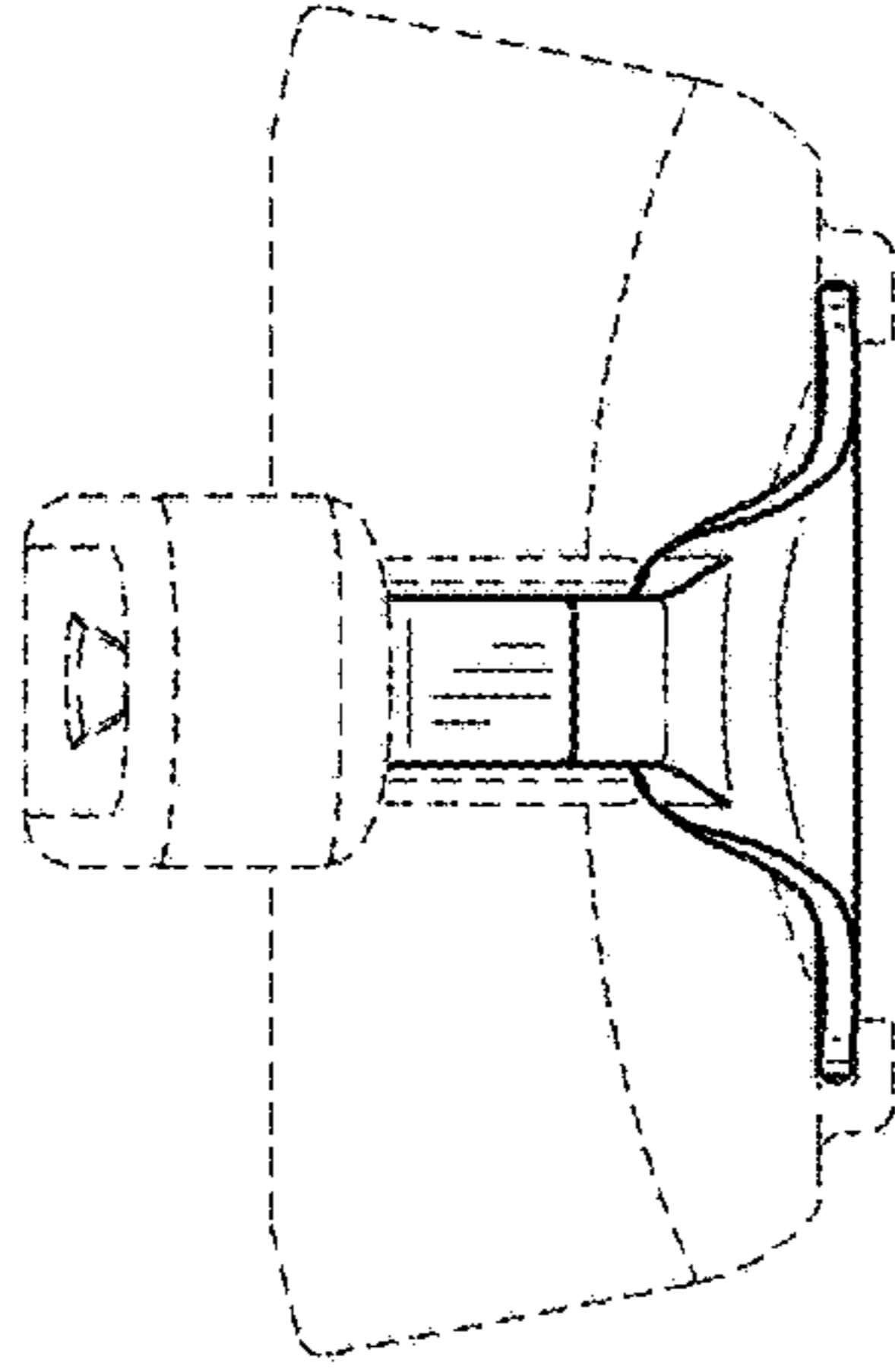


FIG. 6

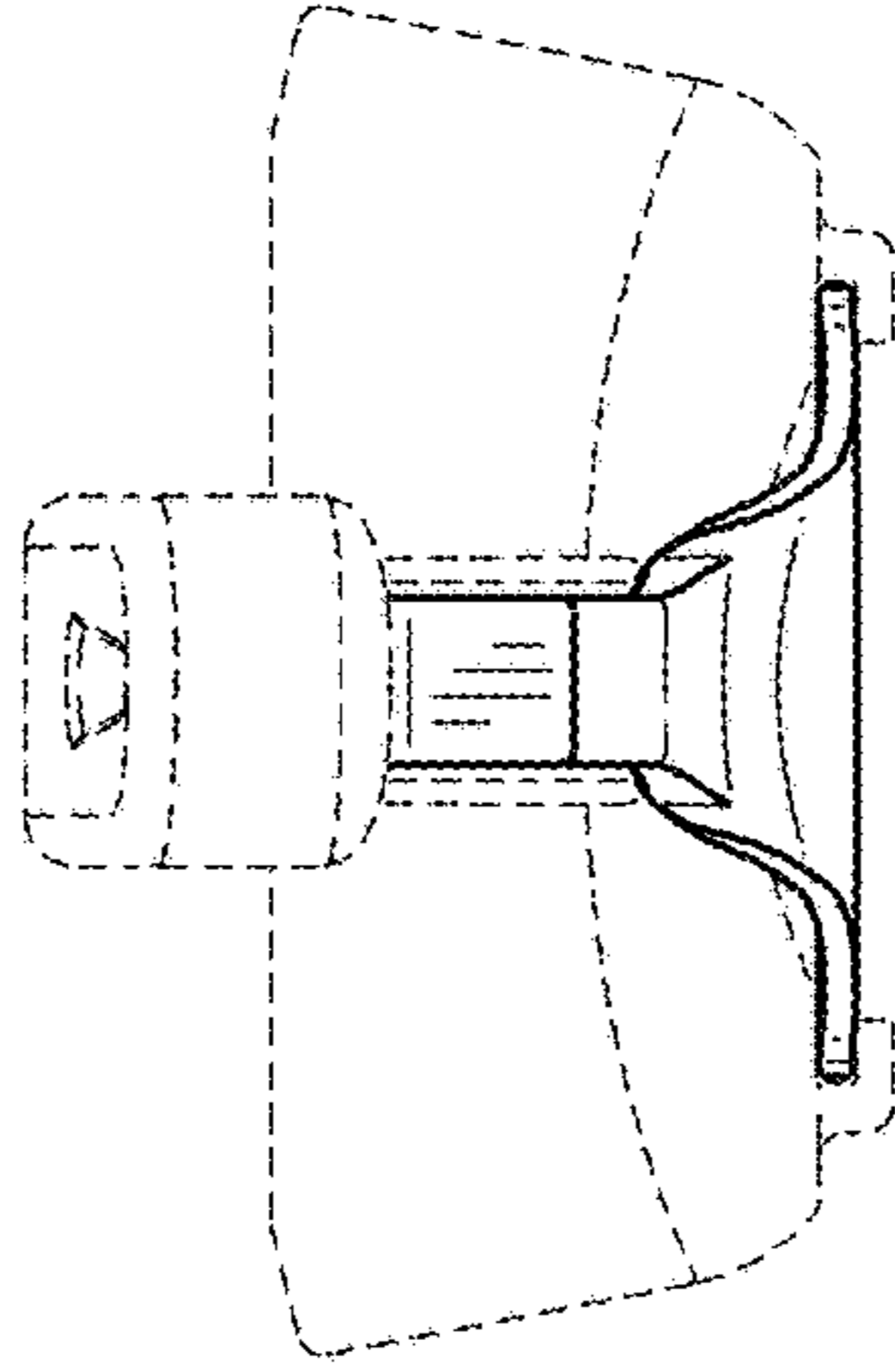
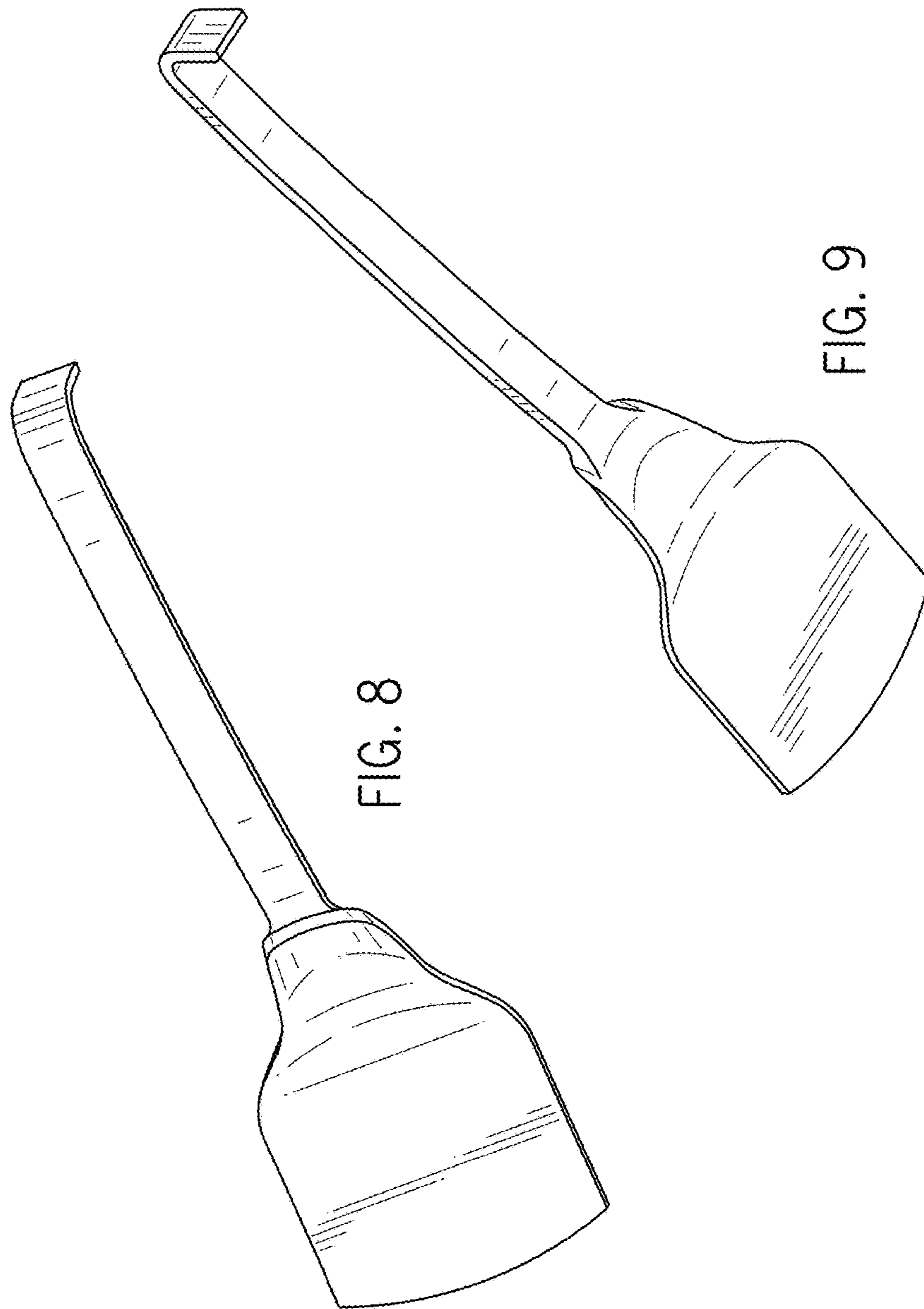


FIG. 7





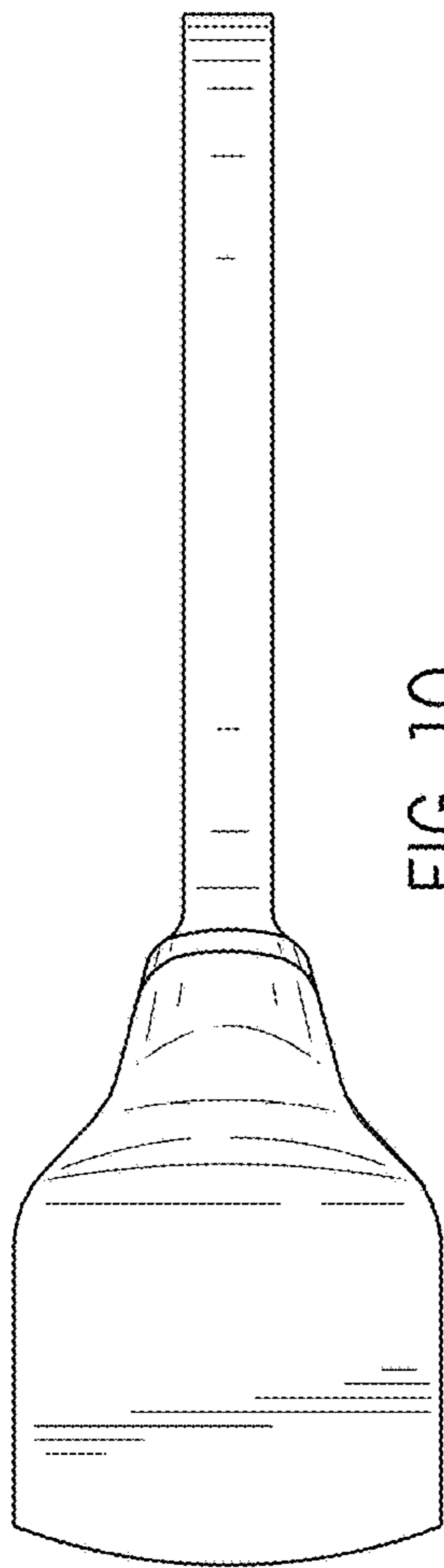


FIG. 10

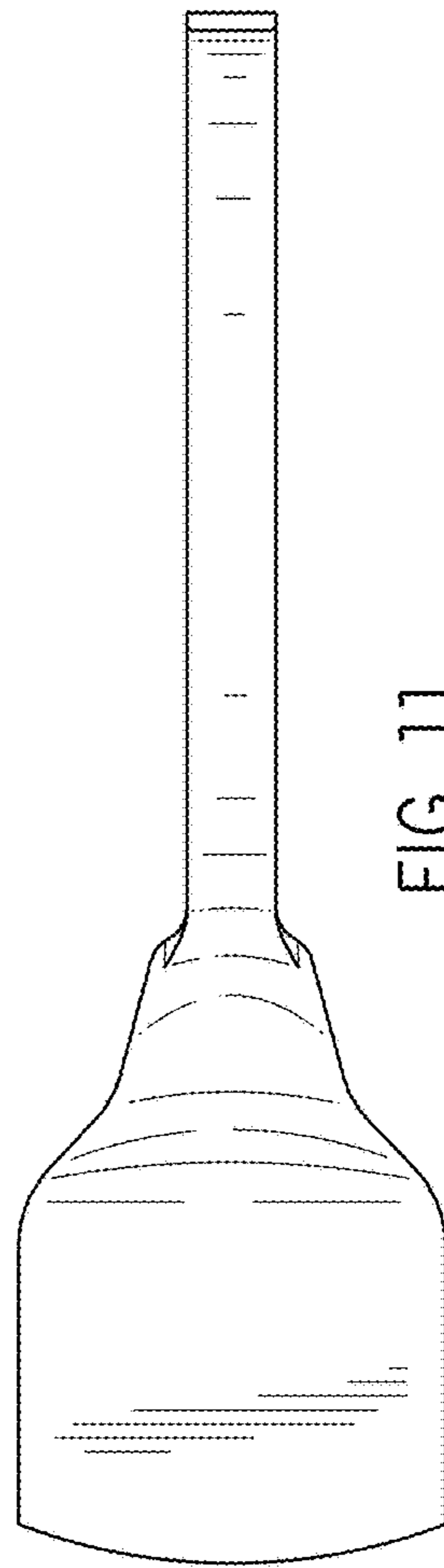


FIG. 11

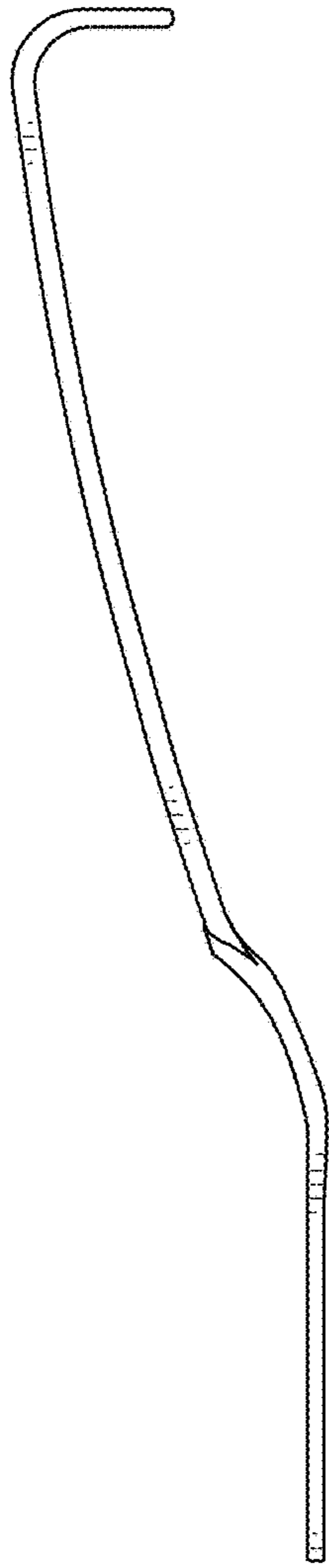


FIG. 12

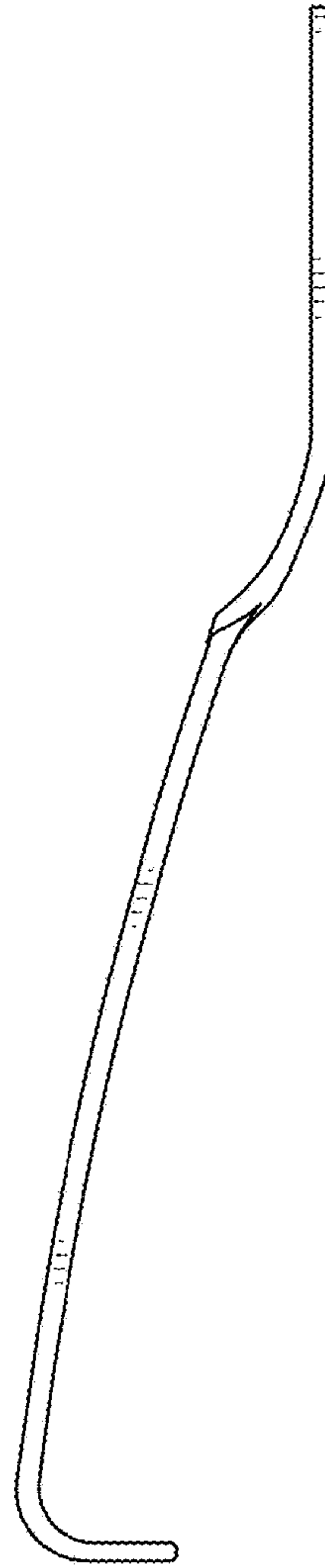


FIG. 13



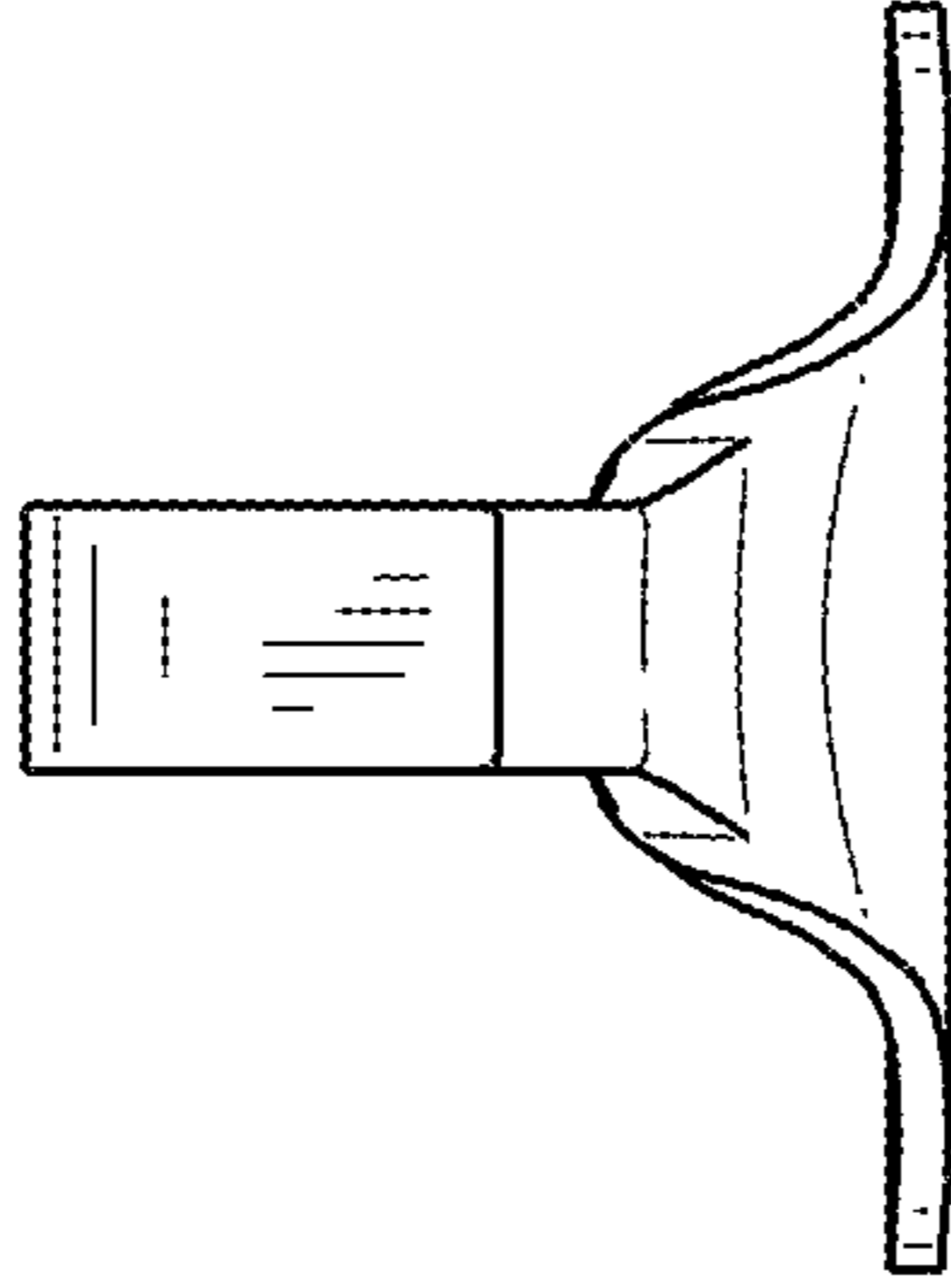


FIG. 15

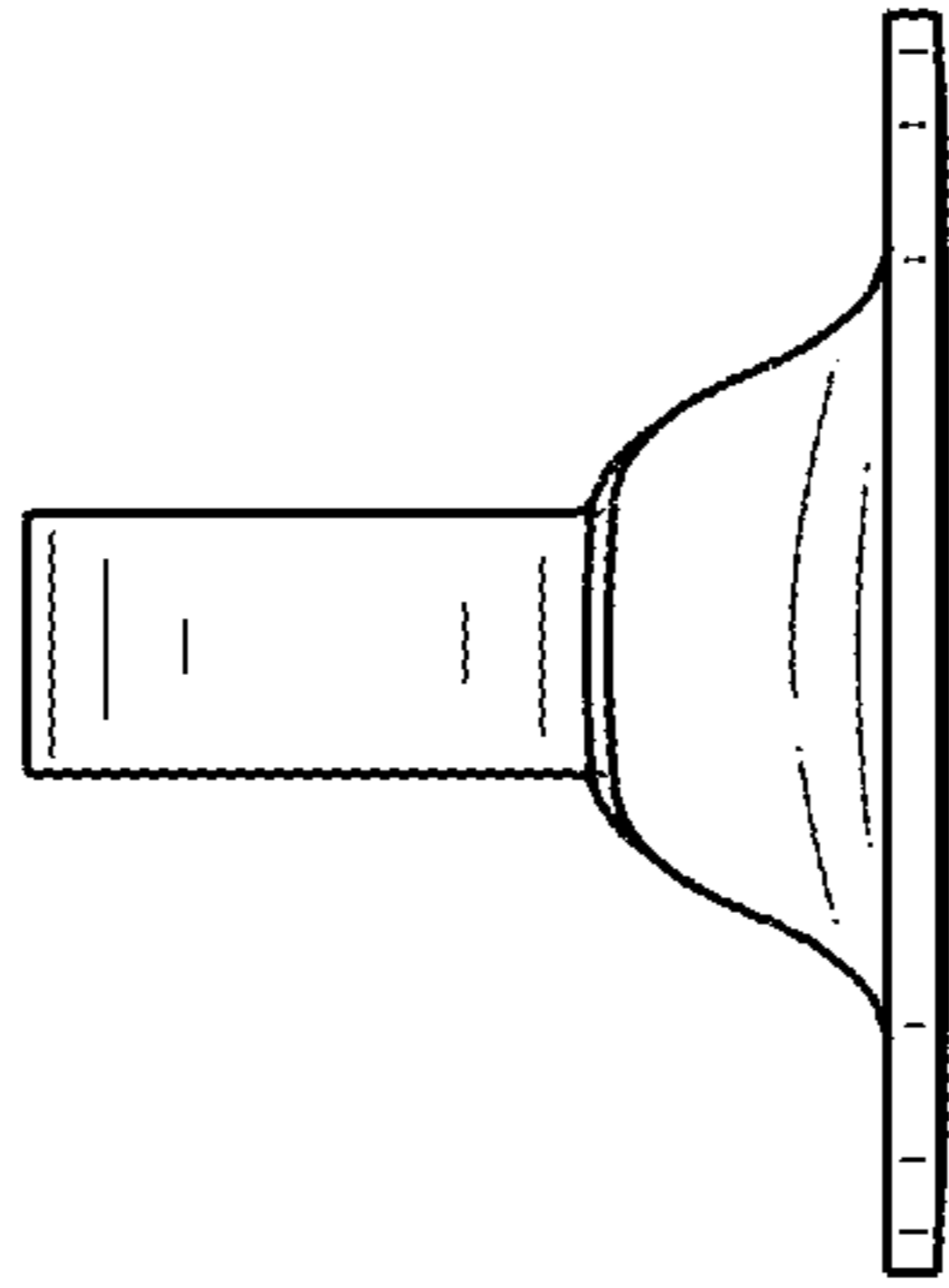


FIG. 14