



US00D839686S

(12) **United States Design Patent** (10) **Patent No.:** **US D839,686 S**
Martinez et al. (45) **Date of Patent:** **** Feb. 5, 2019**

(54) **LOCKABLE FOOD CONTAINER**
(71) Applicants: **Shaina Martinez**, East Orange, NJ
(US); **Terrell Wilson**, Park Forest, IL
(US)
(72) Inventors: **Shaina Martinez**, East Orange, NJ
(US); **Terrell Wilson**, Park Forest, IL
(US)

D674,249 S * 1/2013 Duvigneau D7/629
D688,921 S * 9/2013 Miros D7/629
D708,486 S * 7/2014 Terracciano D7/629
D758,844 S * 6/2016 Beckerman D9/424
D760,035 S * 6/2016 Kim D7/629
D764,237 S * 8/2016 Yen D7/629
9,783,349 B2 * 10/2017 Buck B65D 51/28
D803,637 S * 11/2017 Feng D7/629
D811,826 S * 3/2018 Neumann D7/629

(Continued)

(**) Term: **15 Years**
(21) Appl. No.: **35/001,257**
(22) Filed: **Sep. 1, 2016**

Primary Examiner — Darlington Ly
(74) *Attorney, Agent, or Firm* — Fraline J. Allgaier

(80) **Hague Agreement Data**
Int. Filing Date: **Sep. 1, 2016**
Int. Reg. No.: **DM/095766**
Int. Reg. Date: **Sep. 1, 2016**
Int. Reg. Pub. Date: **May 5, 2017**
(51) **LOC (11) Cl.** **07-07**
(52) **U.S. Cl.**
USPC **D7/629**
(58) **Field of Classification Search**
USPC D7/601, 602, 629, 630, 701-708, 550.1,
D7/553.1-554.4, 709; D3/201-203.8,
D3/273, 274; D19/77, 78, 92
CPC A45C 11/20; A01K 5/0114; A01K 7/00;
A47G 19/02; A47G 23/06; A47G 23/002;
B65D 1/24; B65D 1/00; B65D 1/34;
B65D 1/36; B65D 5/2047; B65D
81/3813; B65D 81/3834; B65D 25/2897;
B65D 25/04
See application file for complete search history.

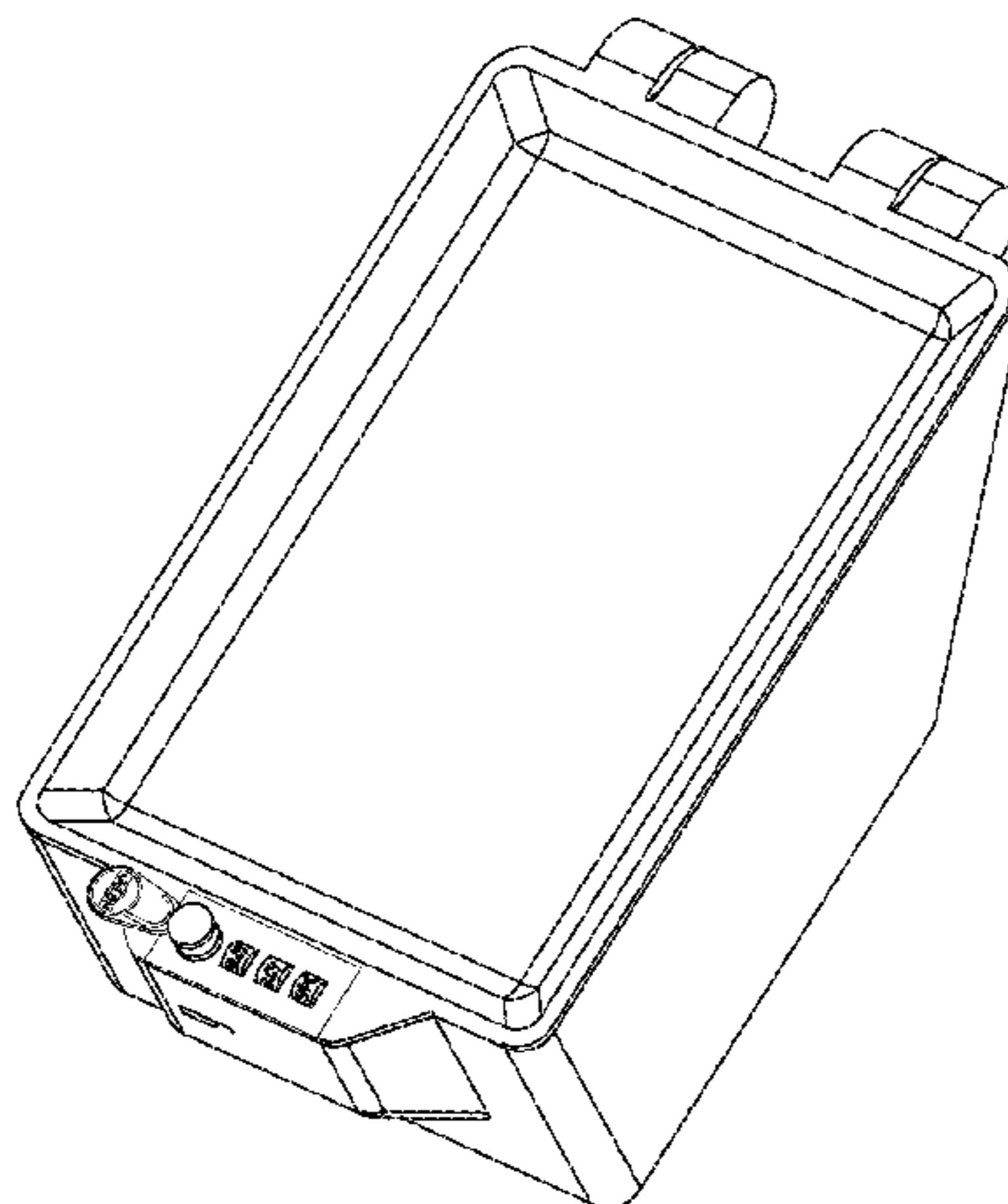
(57) **CLAIM**
The ornamental design for a lockable food container, as shown and described.

DESCRIPTION

1. Lockable food container
1.1 is a top, front, and right side perspective view of a lockable food container showing our new design;
1.2 is a top, front, and right side perspective view thereof with an opened lid;
1.3 is a front elevation view thereof;
1.4 is a front elevation view thereof with an opened lid;
1.5 is a rear elevation view thereof with an opened lid;
1.6 is a rear elevation view thereof;
1.7 is a top plan view thereof;
1.8 is a top perspective view thereof;
1.9 is a bottom plan view thereof;
1.10 is a bottom perspective view thereof;
1.11 is a left side elevation view thereof;
1.12 is a left side elevation view thereof with an opened lid;
1.13 is a top perspective view thereof with the lid and container exploded apart;
1.14 is a top plan view thereof with the lid, container, and locking hardware exploded apart; and
1.15 is a top perspective view thereof with the lid, container, and locking hardware exploded apart.
The text within the surface of the swivel and text within the locking housing form no part of the claimed design.

(56) **References Cited**
U.S. PATENT DOCUMENTS
6,056,138 A * 5/2000 Chen B65D 43/0212
206/505
D590,668 S * 4/2009 Kim D7/629

1 Claim, 15 Drawing Sheets



(56)

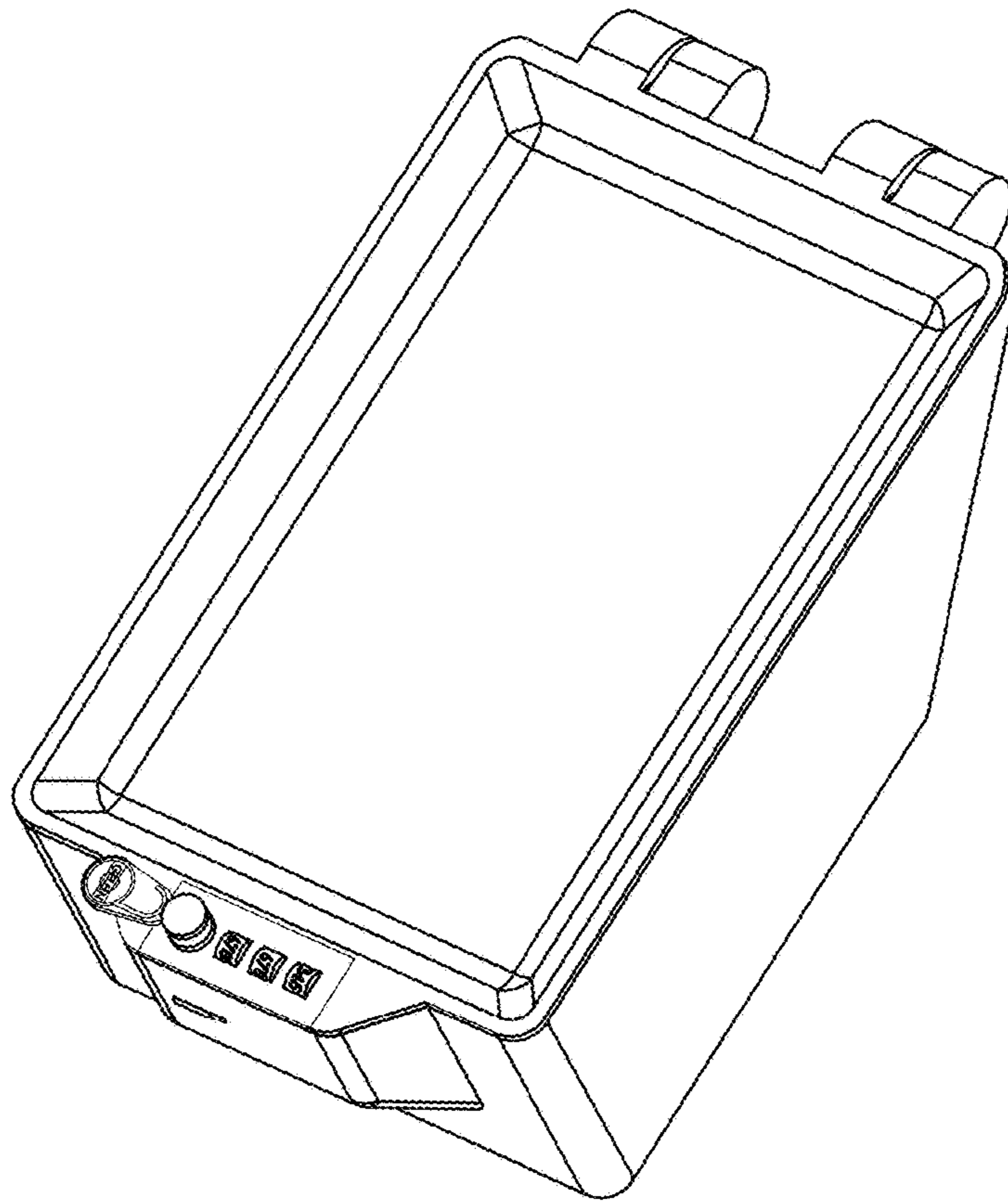
References Cited

U.S. PATENT DOCUMENTS

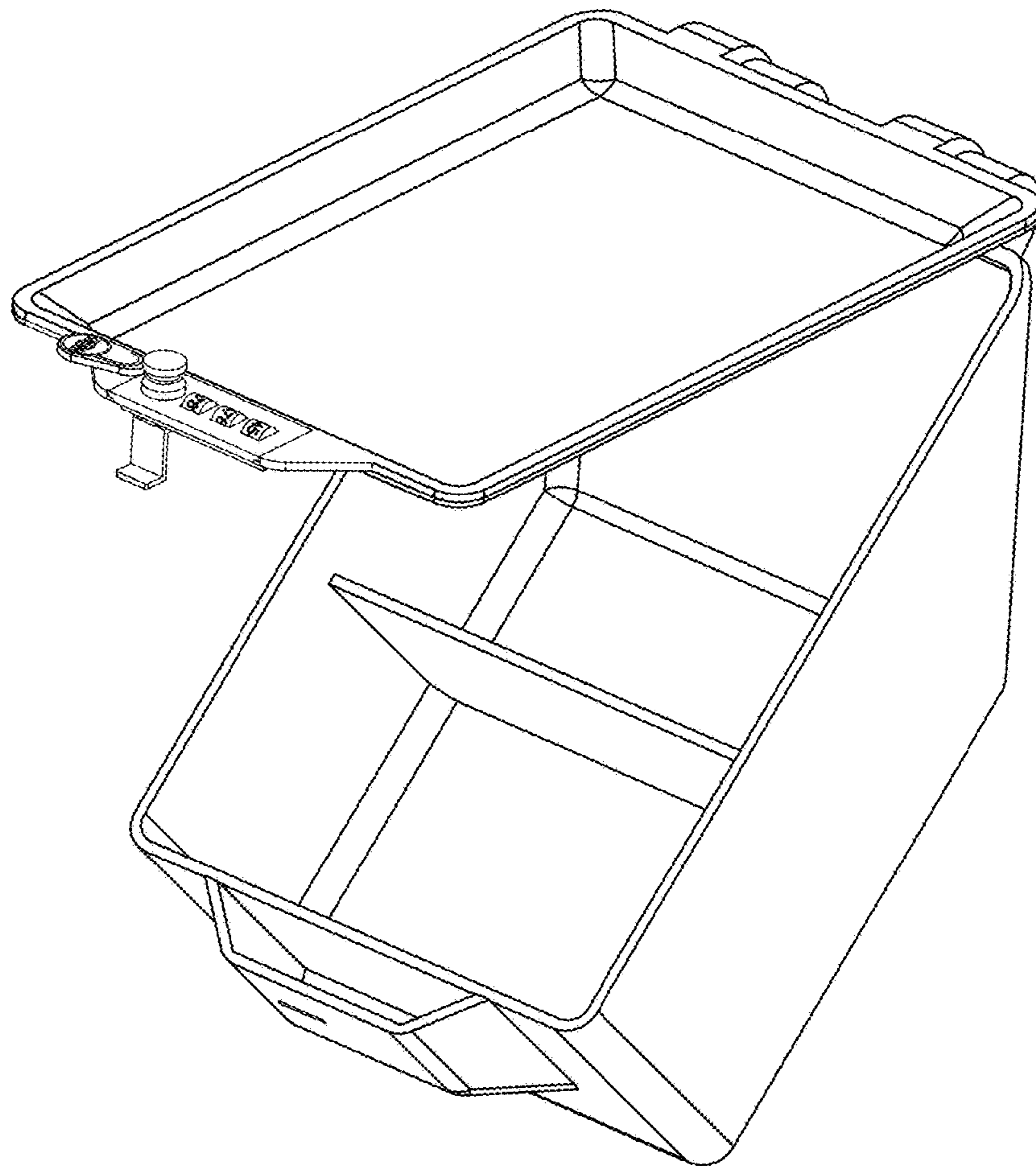
2011/0017079 A1* 1/2011 Wall A47J 36/26
99/449
2018/0057223 A1* 3/2018 Cimmerer B65D 43/162

* cited by examiner

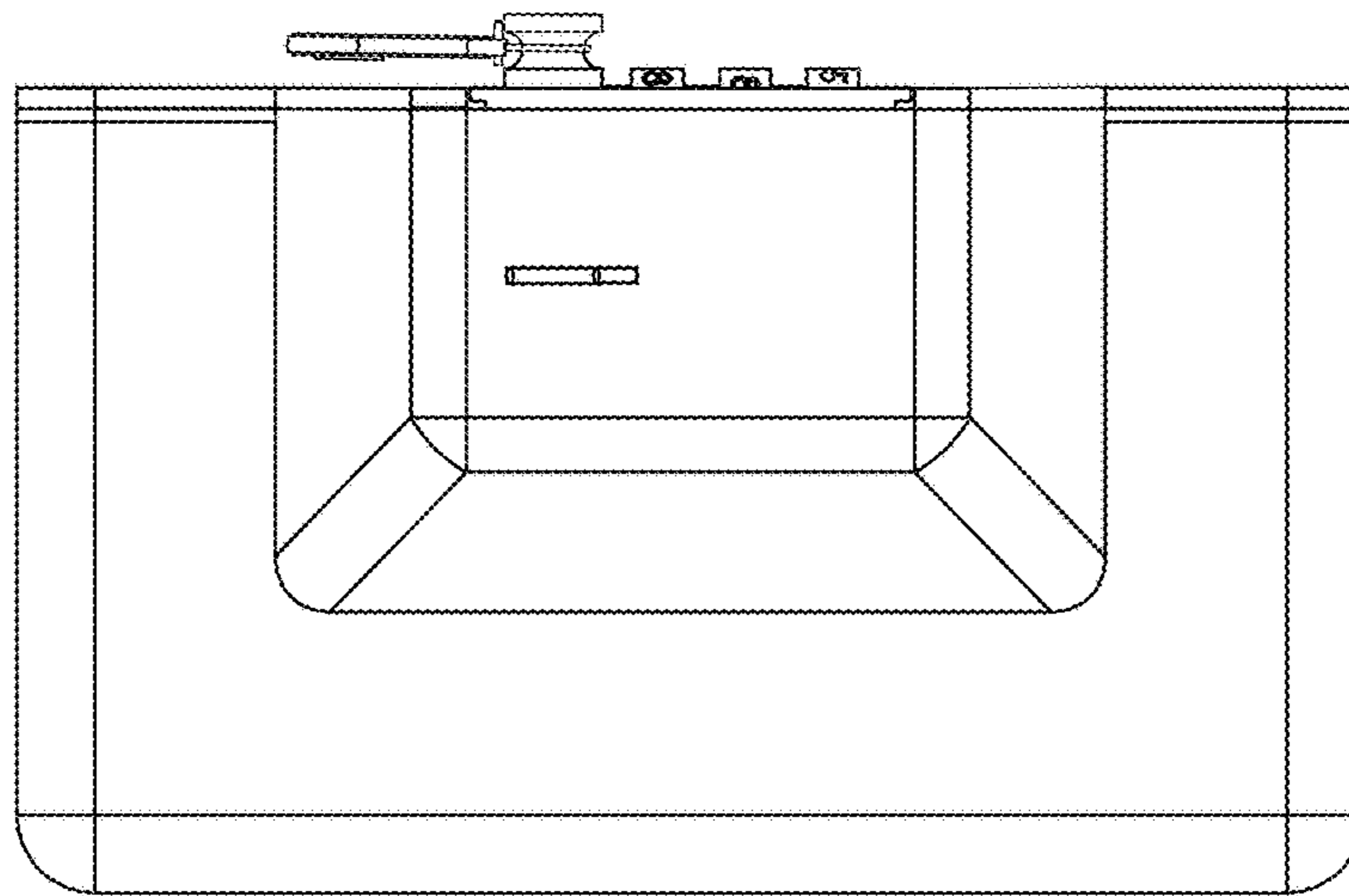
1.1



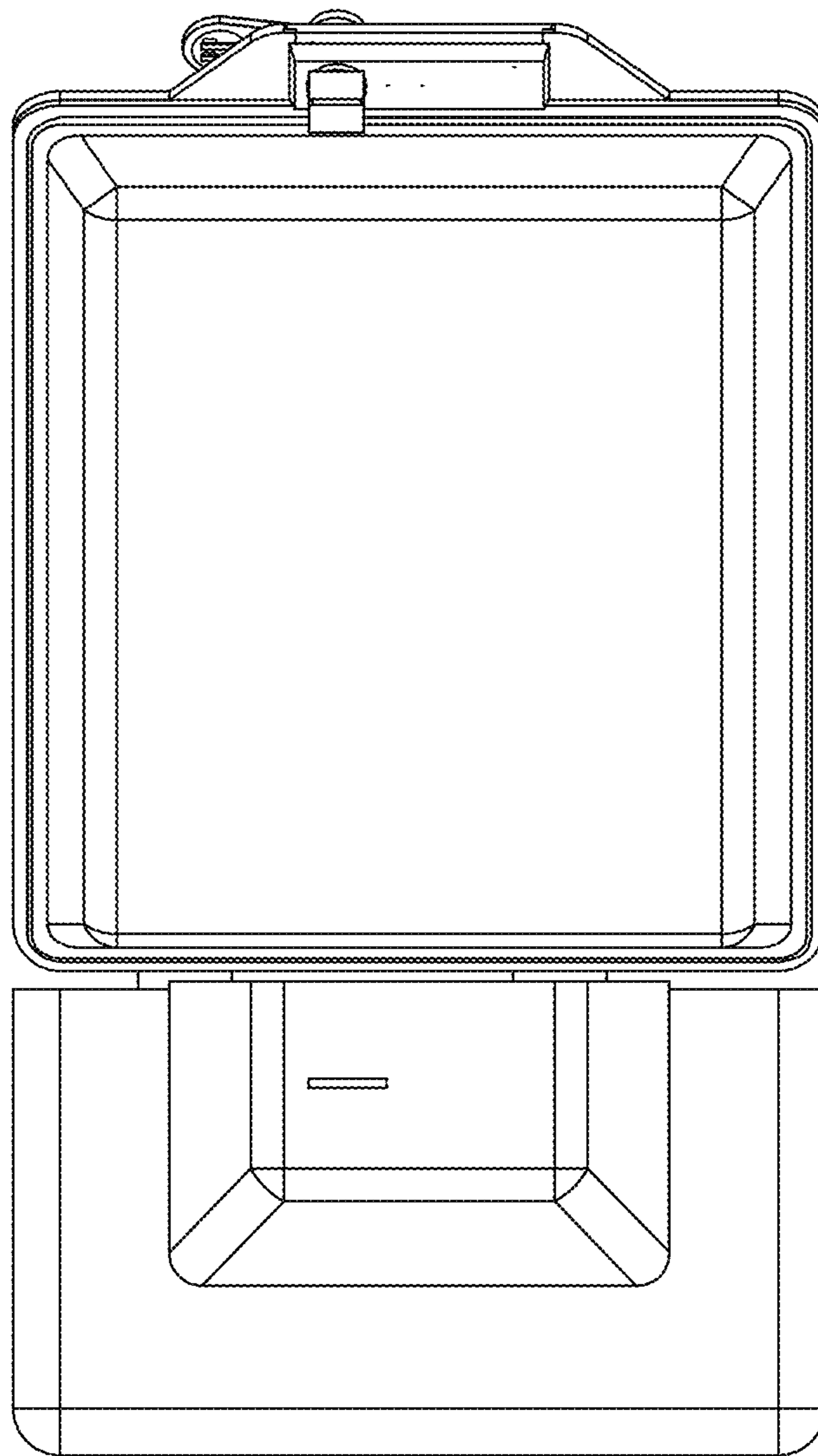
1.2



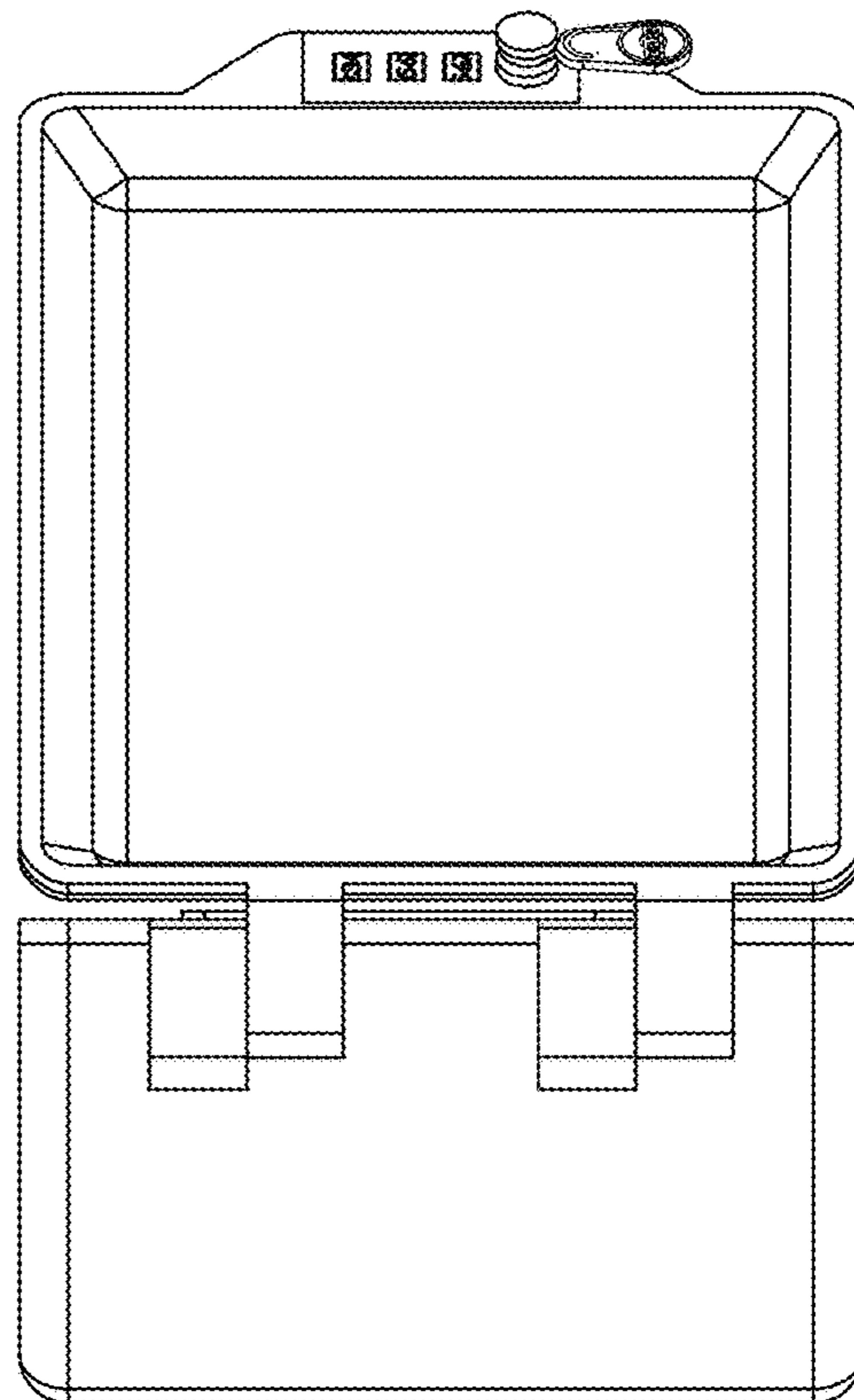
1.3



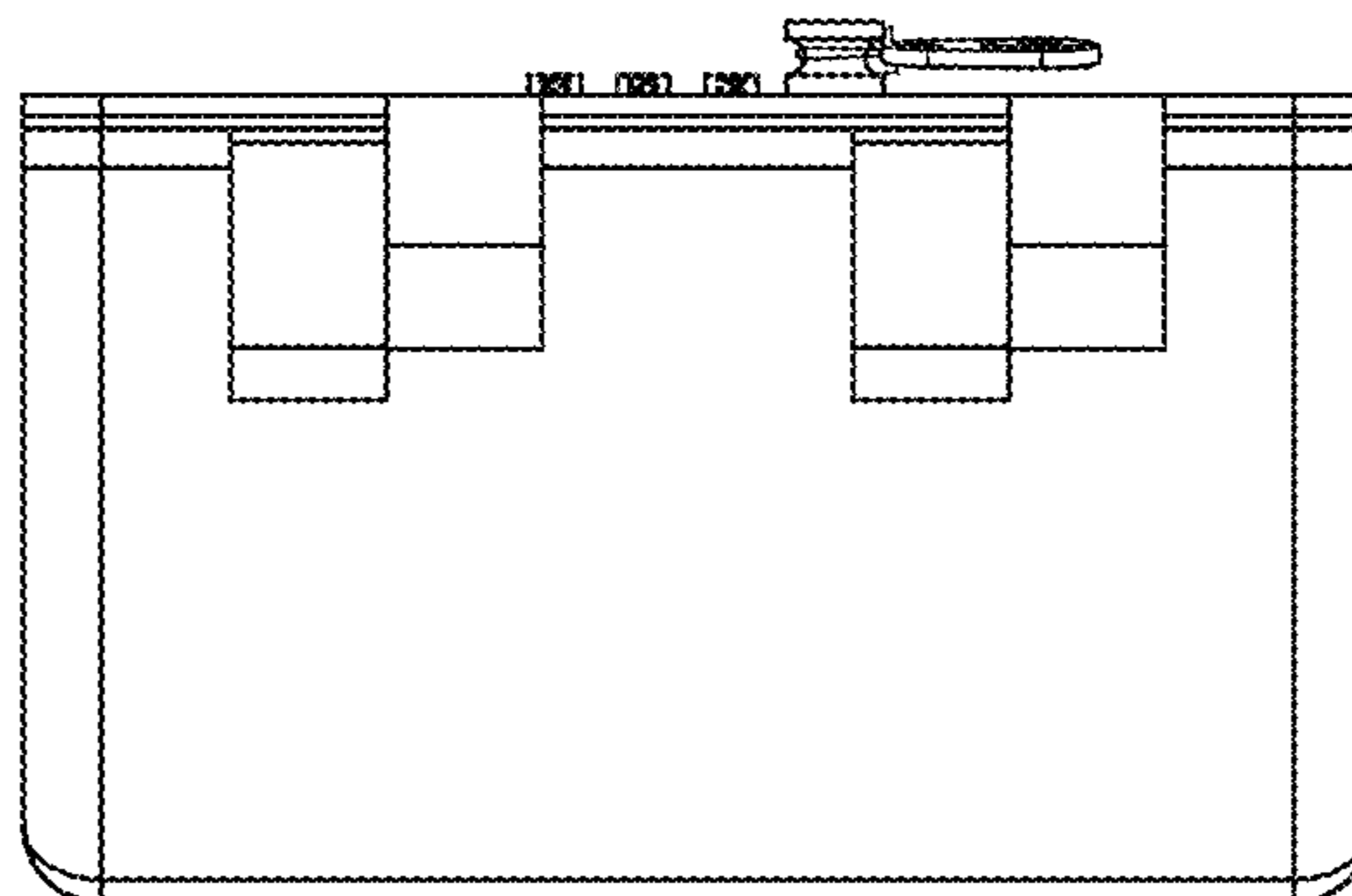
1.4



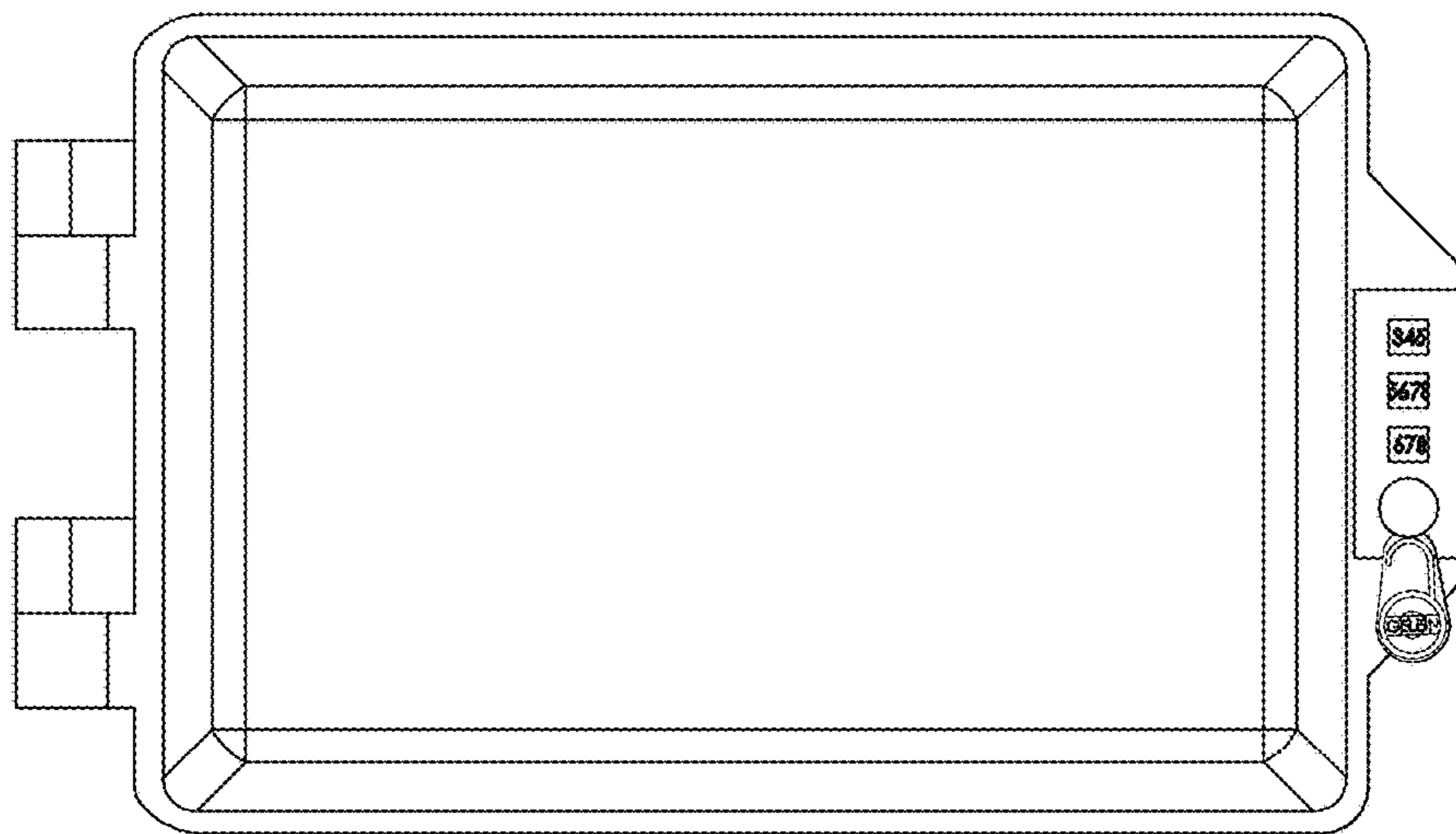
1.5



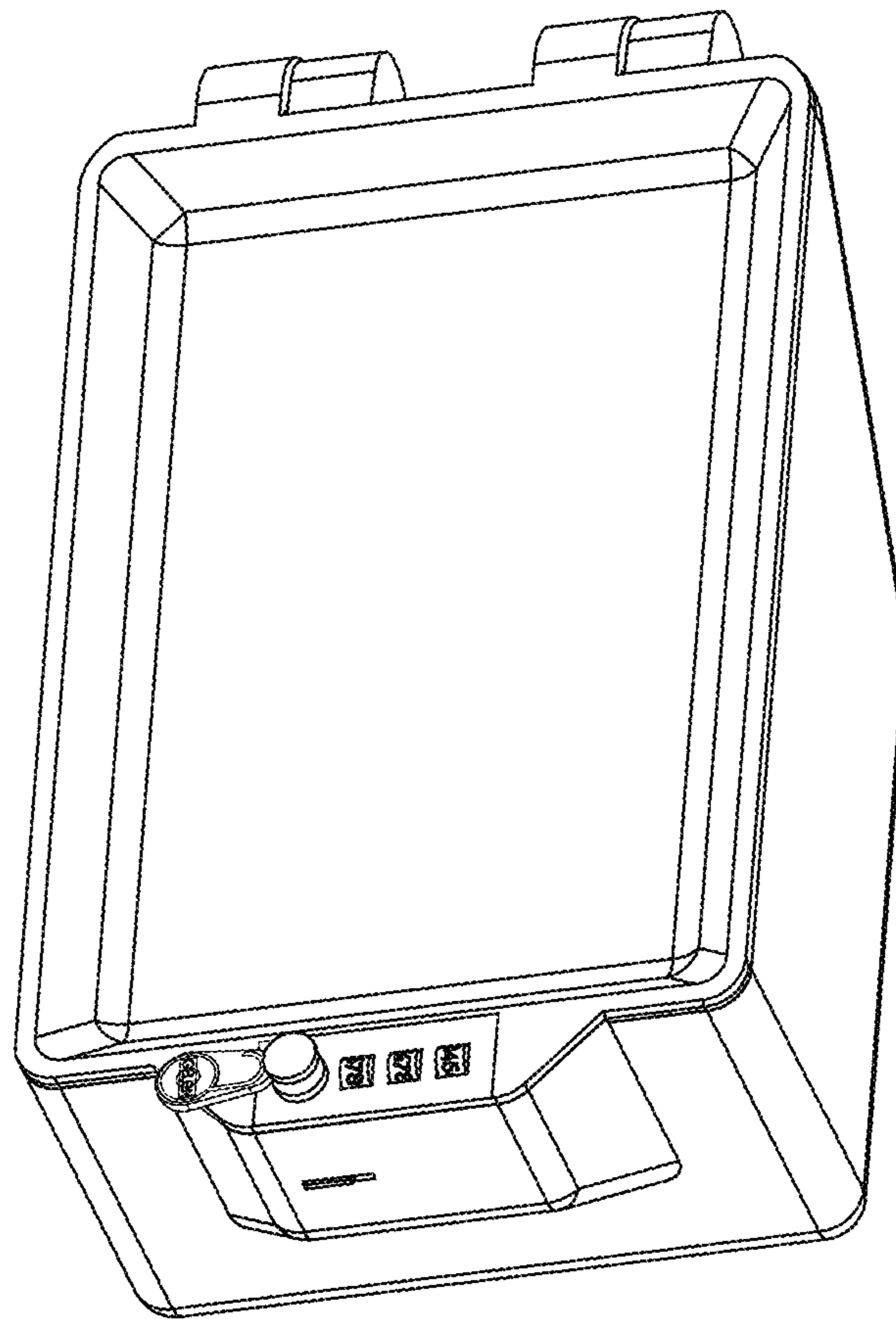
1.6



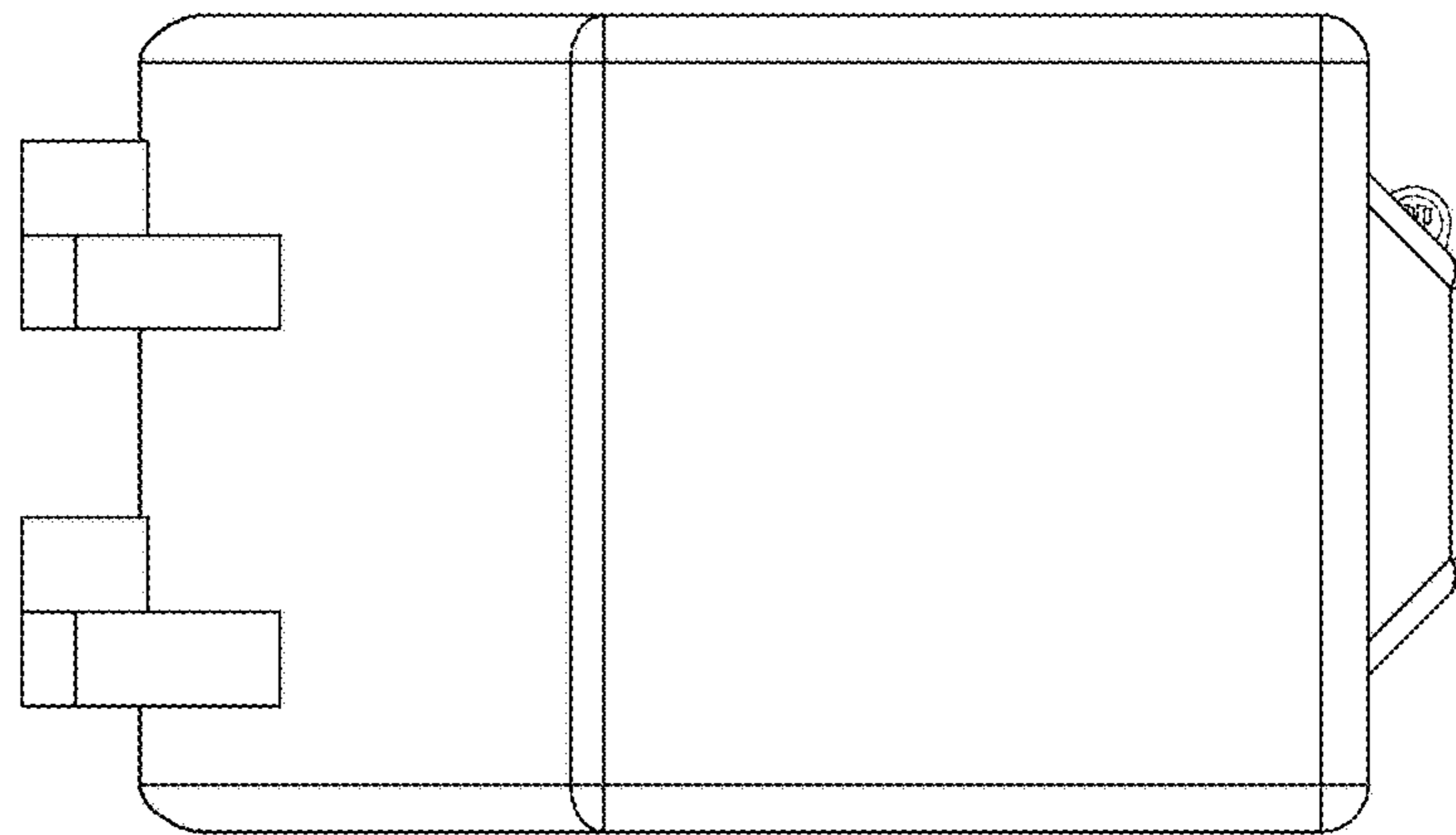
1.7



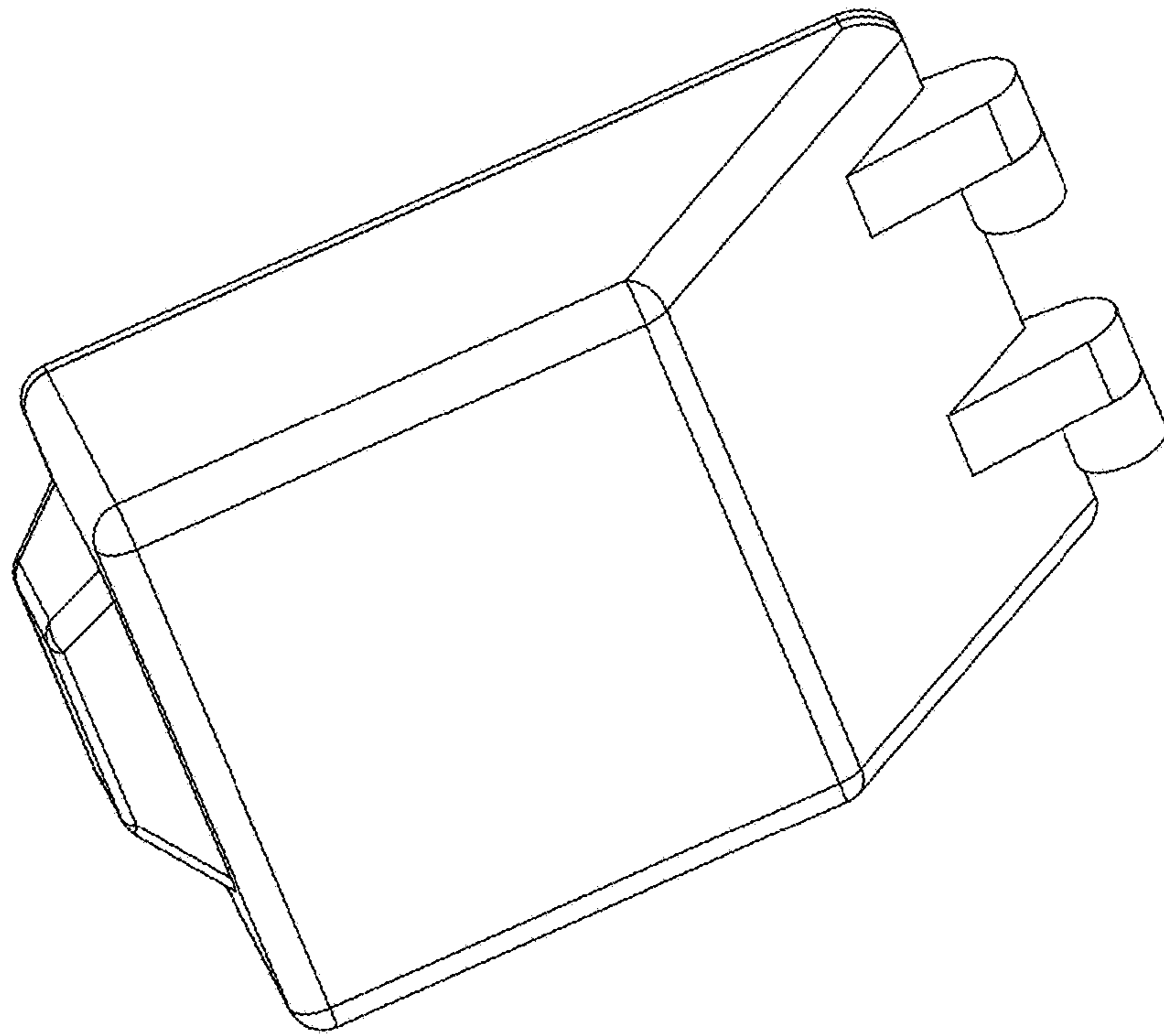
1.8



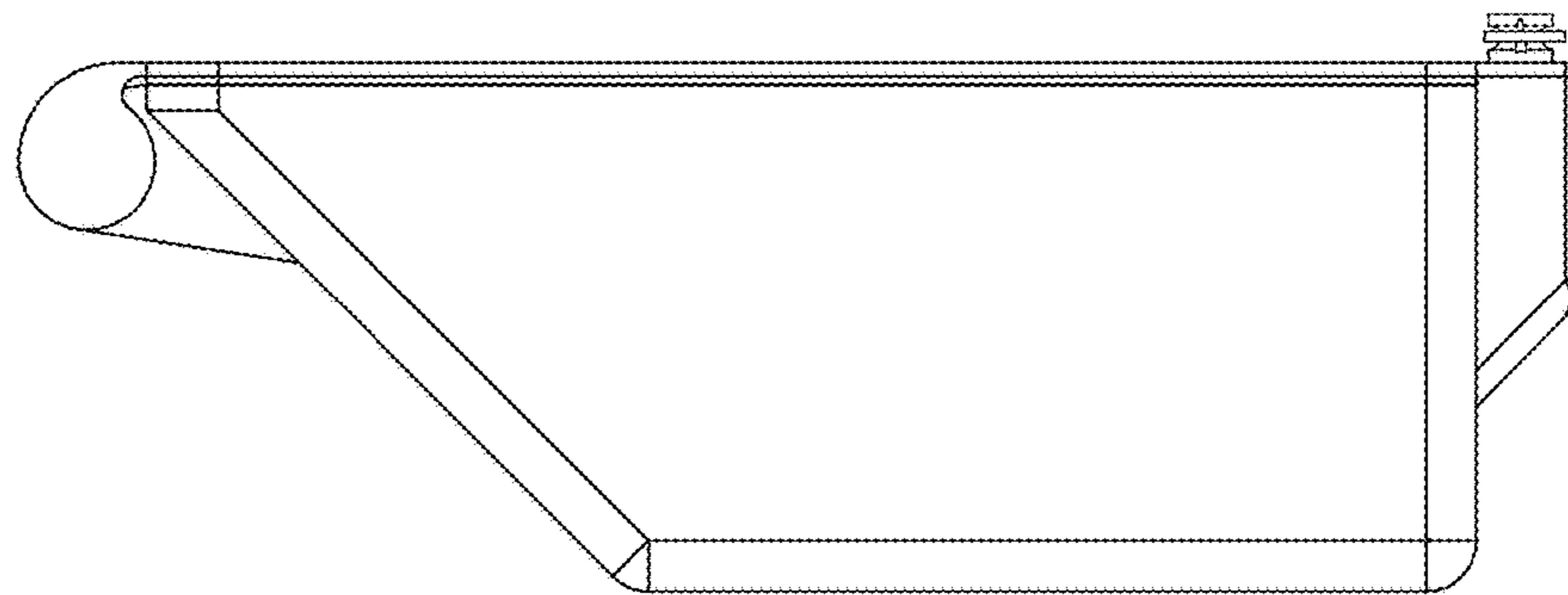
1.9



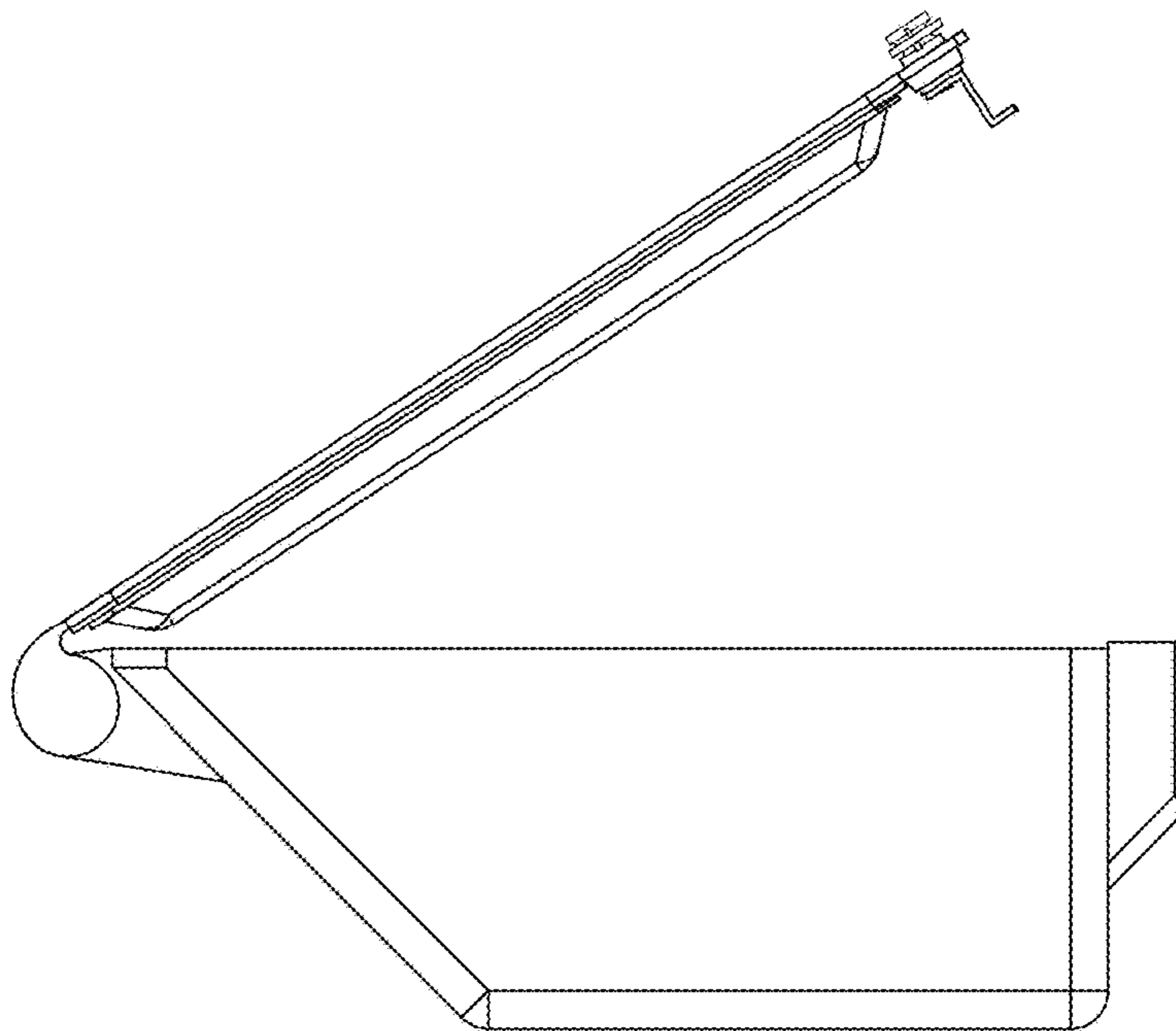
1.10



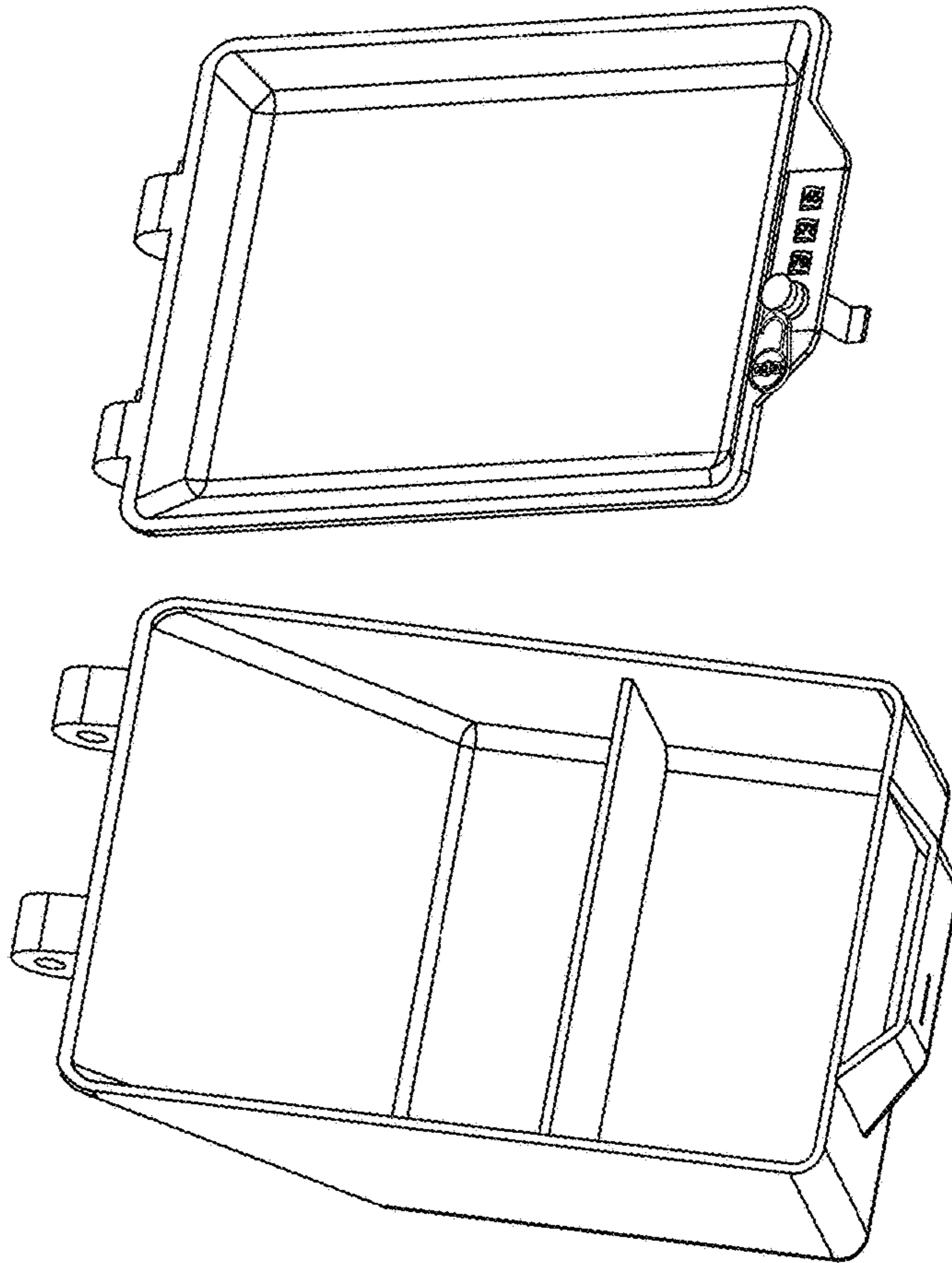
1.11



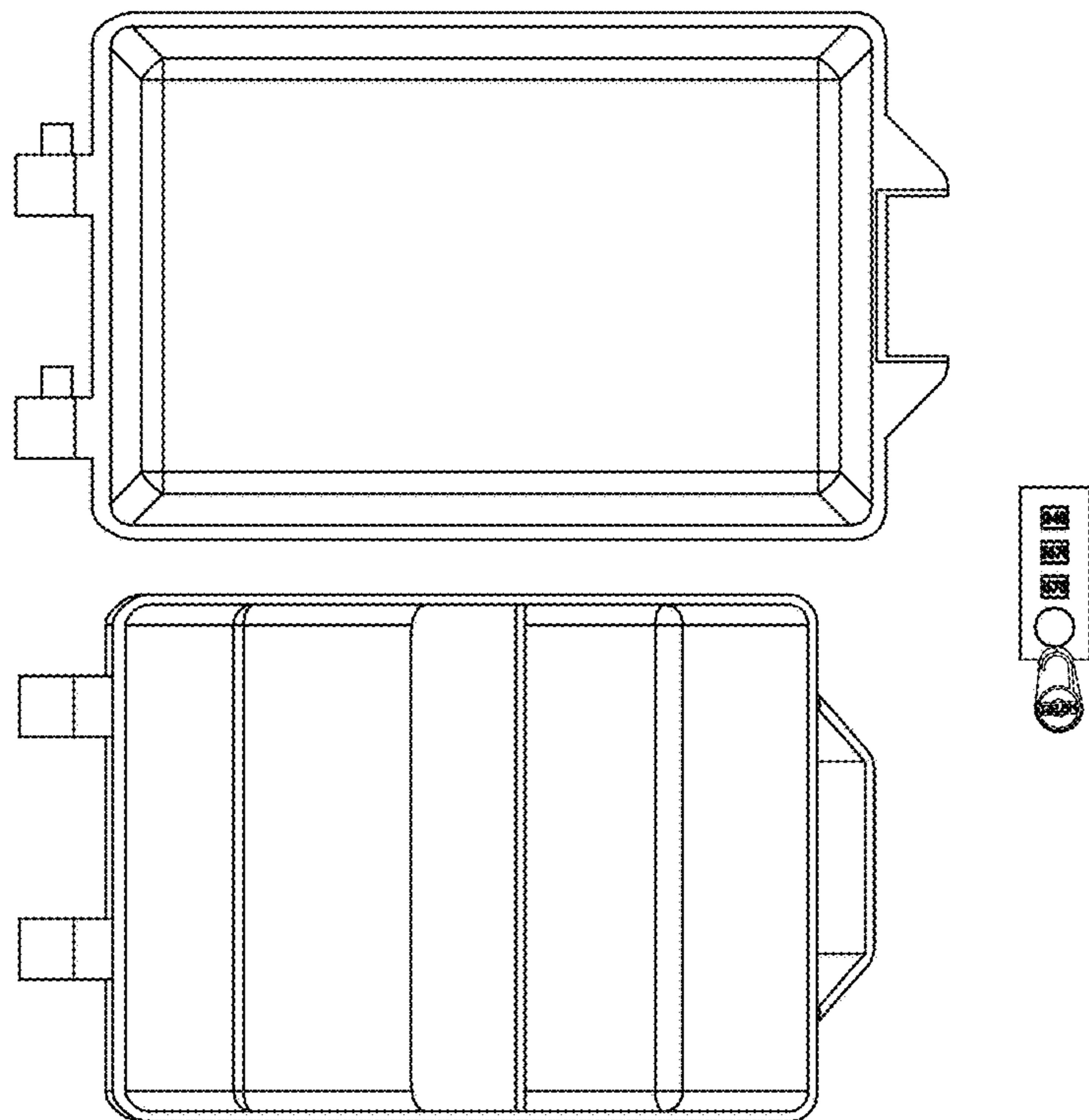
1.12



1.13



1.14



1.15

