



US00D839681S

(12) **United States Design Patent** (10) **Patent No.:** **US D839,681 S**
Evron et al. (45) **Date of Patent:** **** Feb. 5, 2019**

(54) **COOLER**

(71) Applicant: **The Stanley Works Israel Ltd.**, Rosh Ha'Ayin (IL)

(72) Inventors: **Nir Evron**, Yehud-Monoson (IL); **Ehud Ben-Menashe**, Hod Ha'Sharon (IL); **Robbie Tzemach**, Hod HaSharon (IL)

(73) Assignee: **The Stanley Works Israel Ltd.**, Rosh Ha'Ayin (IL)

(**) Term: **15 Years**

(21) Appl. No.: **29/624,468**

(22) Filed: **Nov. 1, 2017**

(51) **LOC (11) Cl.** **07-01**

(52) **U.S. Cl.**
USPC **D7/605**

(58) **Field of Classification Search**
 USPC D7/605-608, 629, 630, 709; D3/272-274
 CPC .. A45C 11/20; A45C 5/14; A45C 5/03; A45C 9/00; A47B 77/08; A47J 41/022; A47G 19/2288; B26B 3/003; F25B 19/00; F25D 3/08; F25D 3/12; F25D 3/14; F25D 3/02; F25D 27/00; F25D 2331/804; F25D 2400/08; F25D 31/005; B65D 81/3858; B65D 81/3823; B65D 81/3813; B65D 81/3888; B65D 81/3816

See application file for complete search history.

(56) **References Cited**

U.S. PATENT DOCUMENTS

8,887,515 B2 *	11/2014	Patstone	F25D 3/08	62/457.2
2008/0178629 A1 *	7/2008	Meether	F25D 3/08	62/451
2015/0369529 A1 *	12/2015	Monroe	F25D 3/08	62/457.2

* cited by examiner

Primary Examiner — Terry A Wallace

(74) *Attorney, Agent, or Firm* — Bruce S. Shapiro

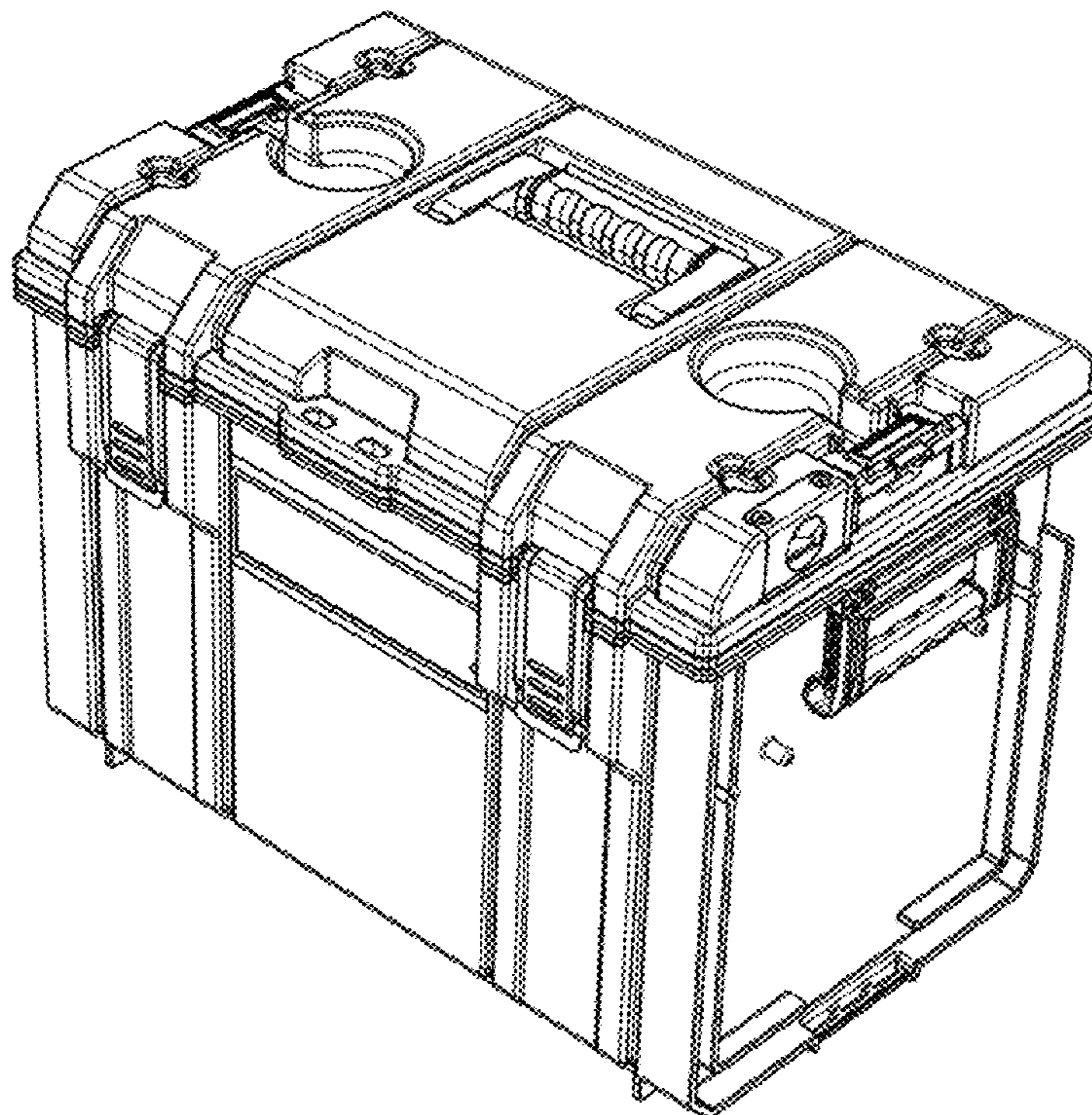
(57) **CLAIM**

The ornamental design for a cooler, as shown and described.

DESCRIPTION

FIG. 1 is a perspective view of the top side of our new design.
 FIG. 2 is a plan view of the top side.
 FIG. 3 is a plan view of the front side.
 FIG. 4 is a plan view of the back side.
 FIG. 5 is a right side view thereof.
 FIG. 6 is a left side view thereof.
 FIG. 7 is a bottom view thereof; and,
 FIG. 8 is a perspective view of the bottom side.

1 Claim, 8 Drawing Sheets



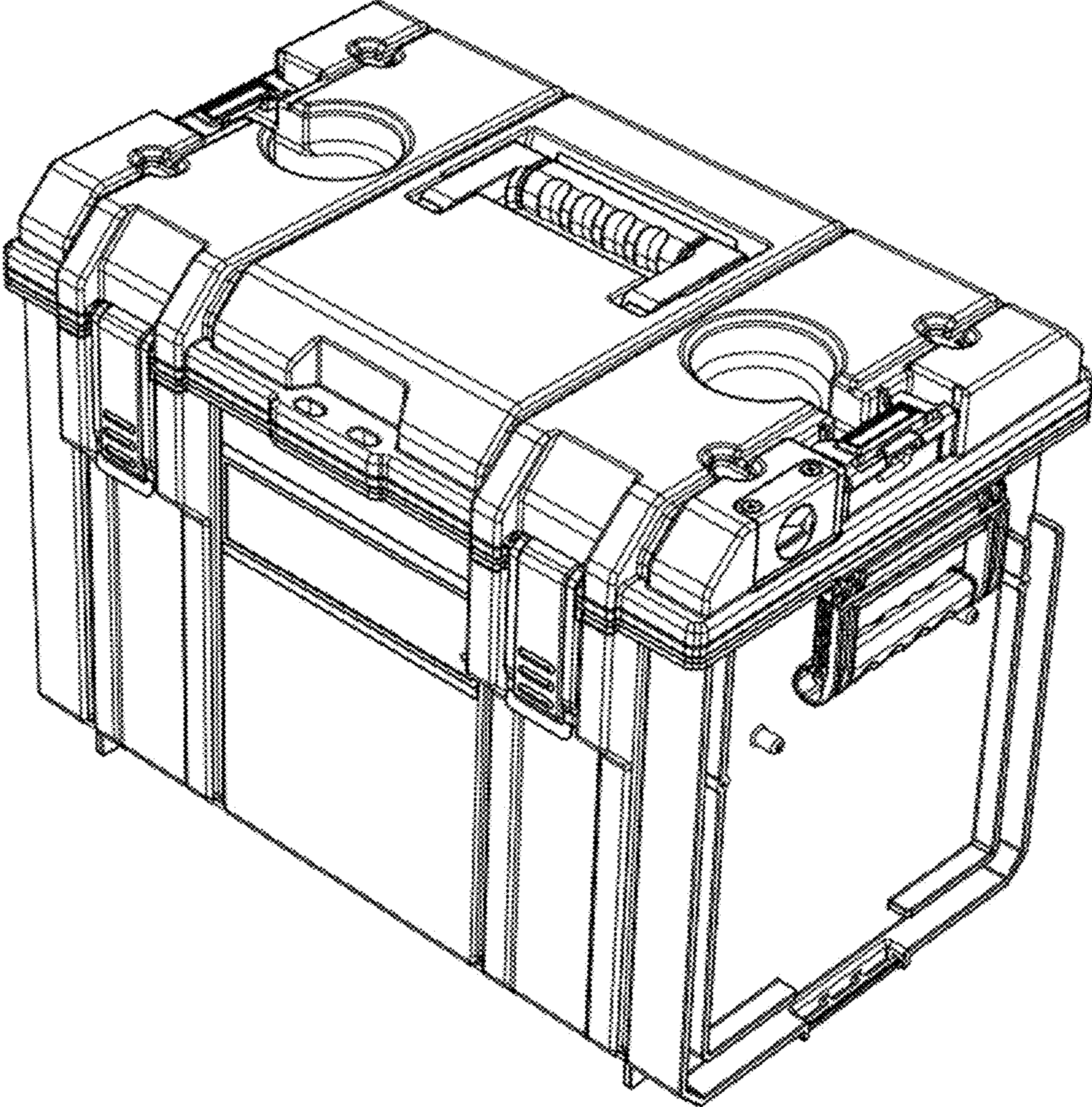


FIG. 1

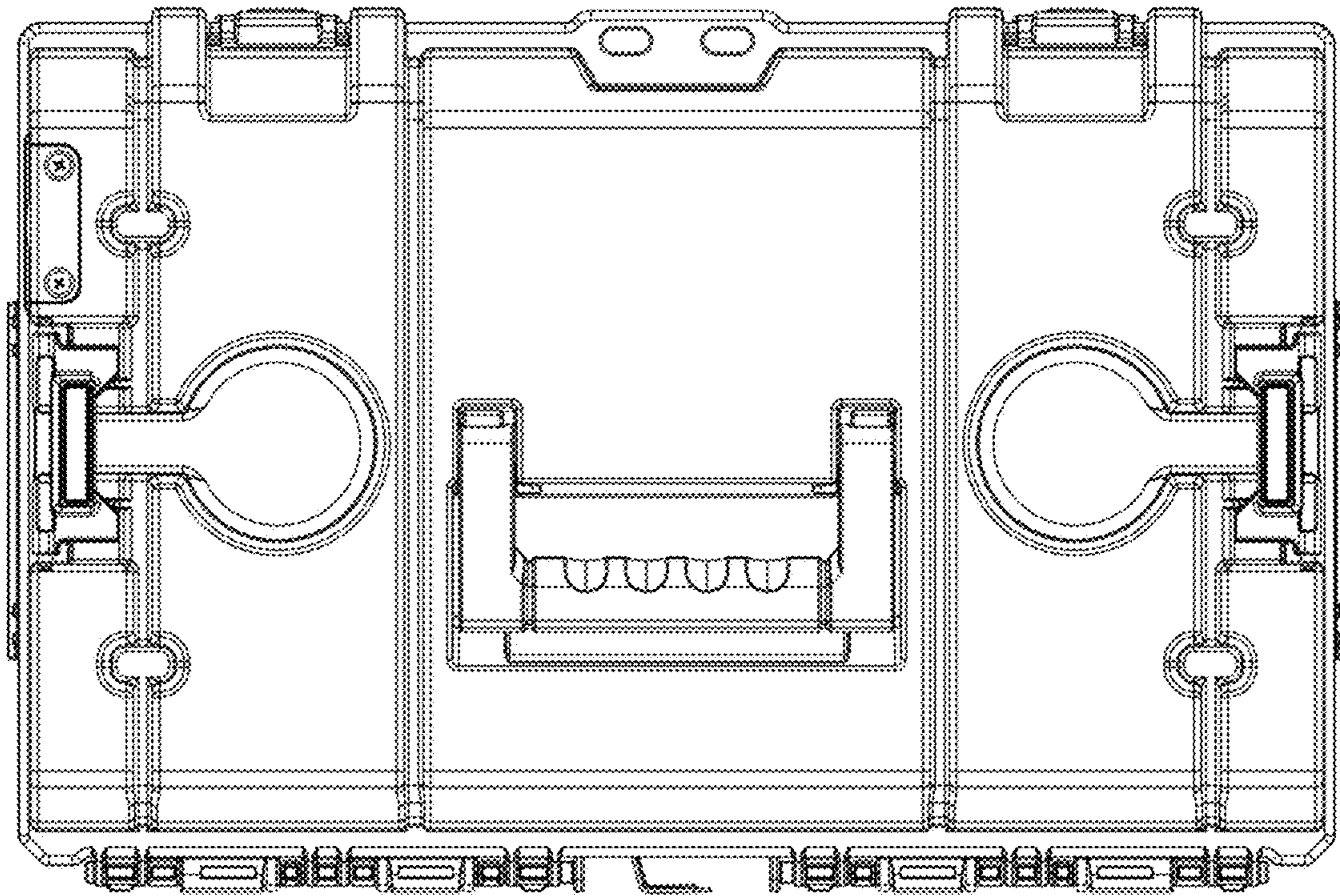


FIG. 2

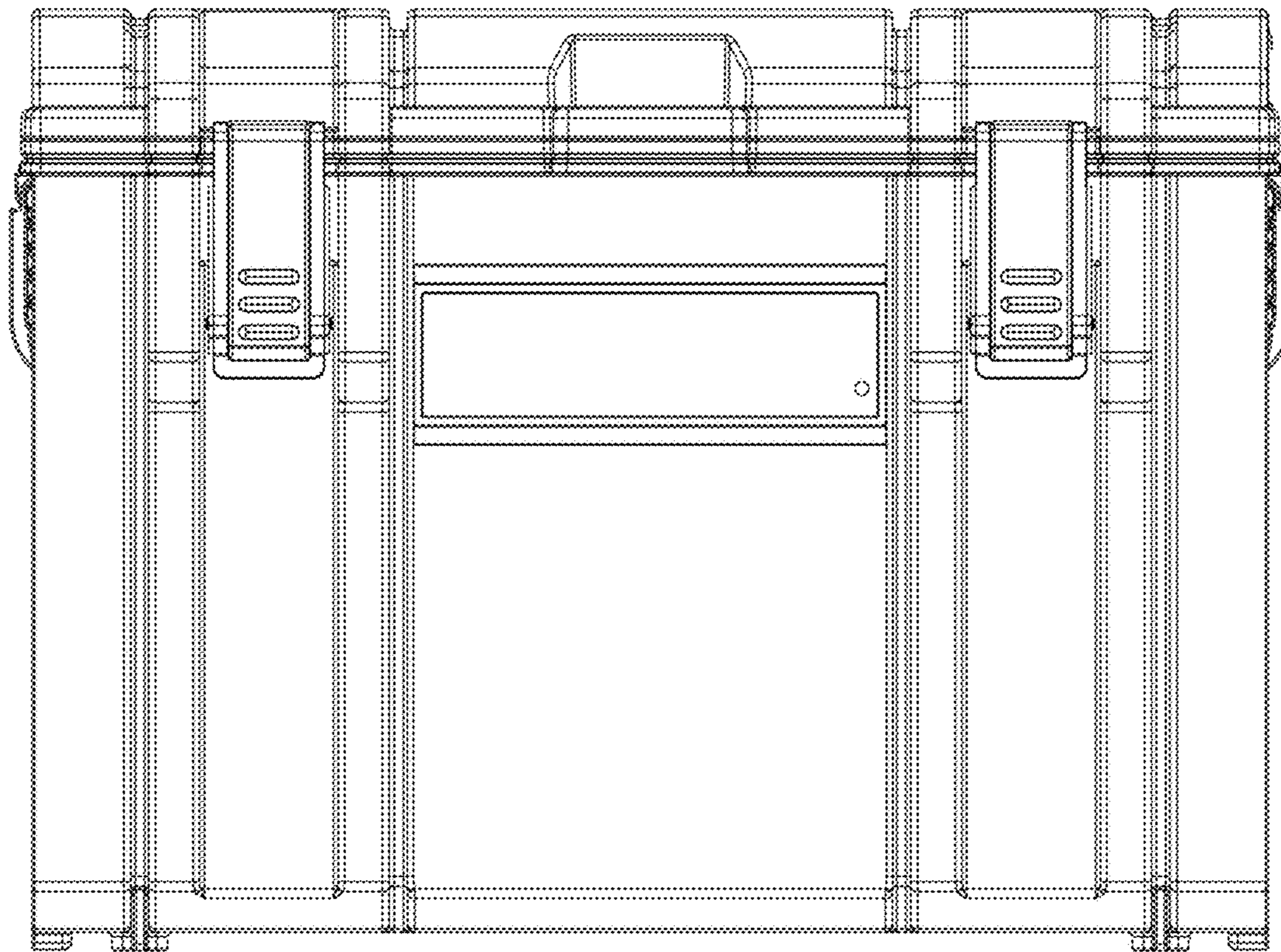


FIG. 3

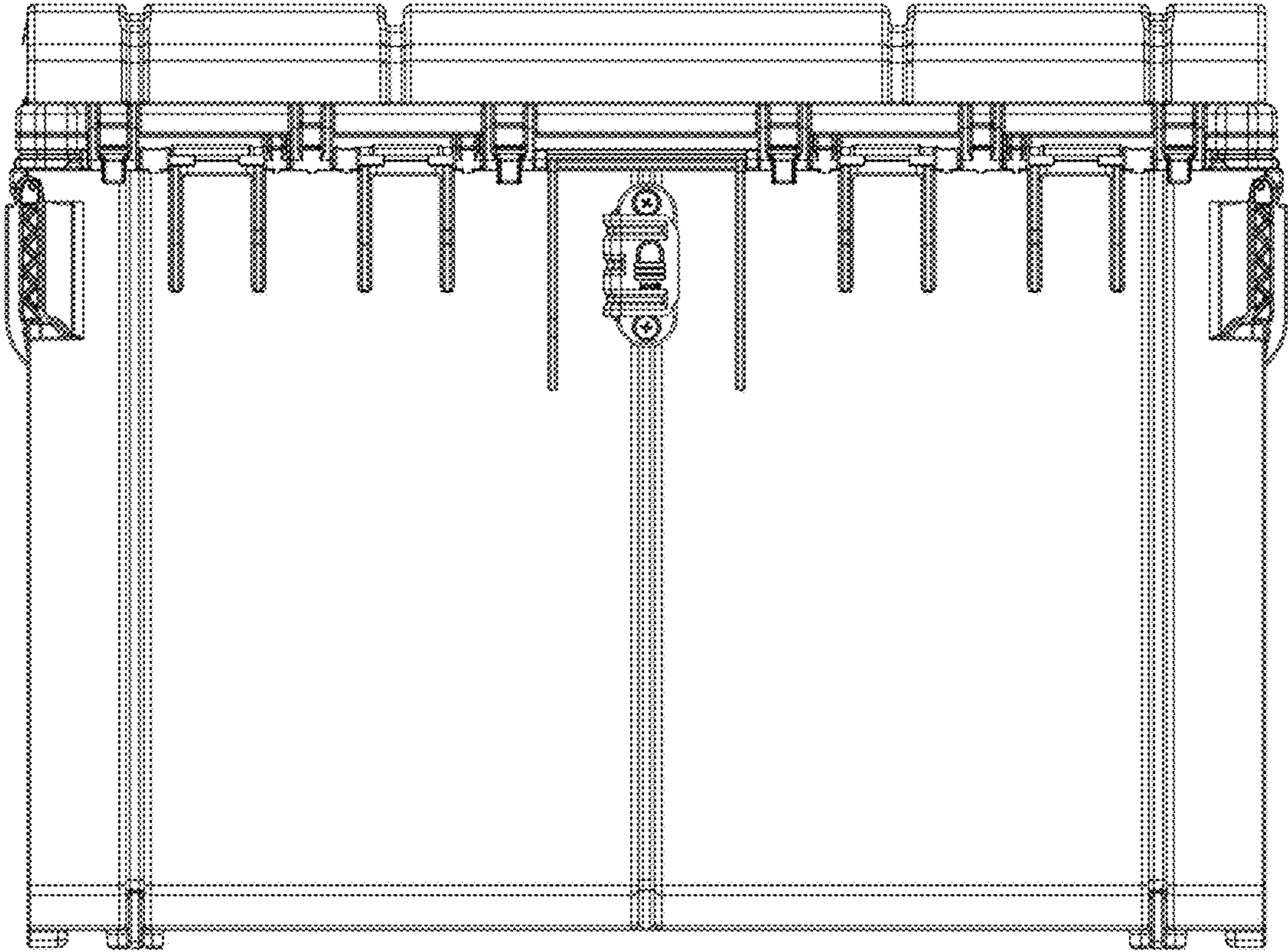


FIG. 4

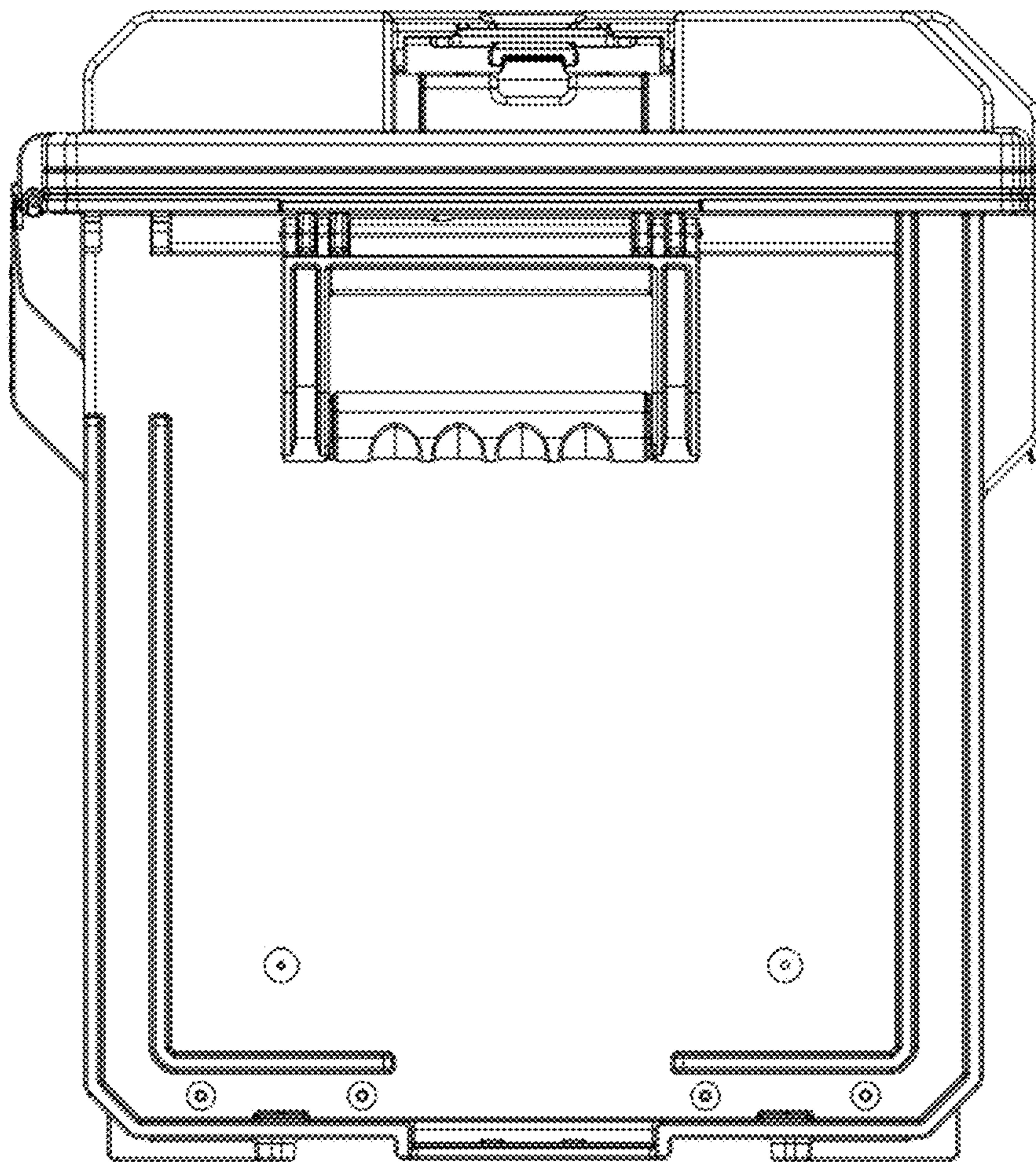


FIG. 5

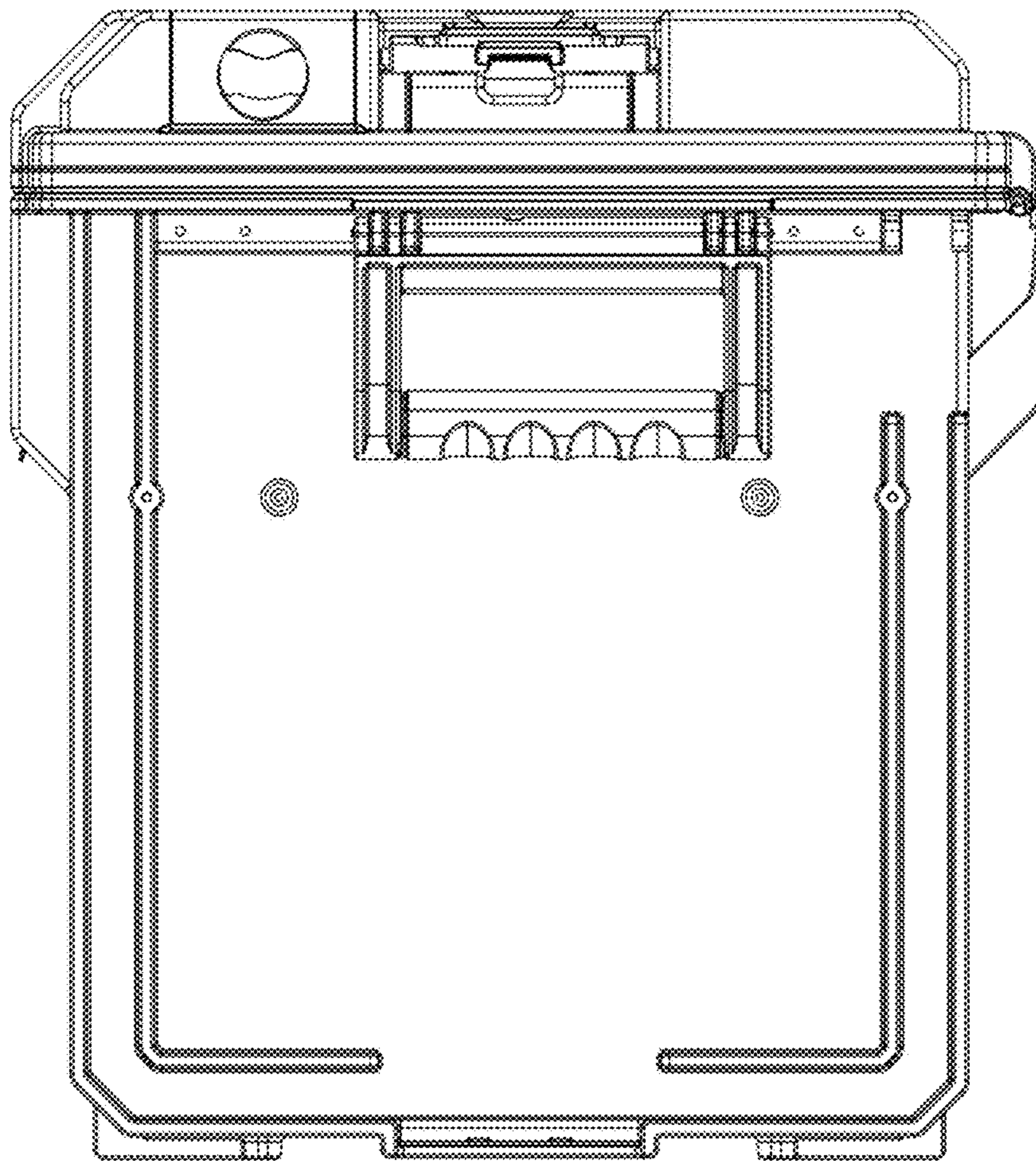


FIG. 6

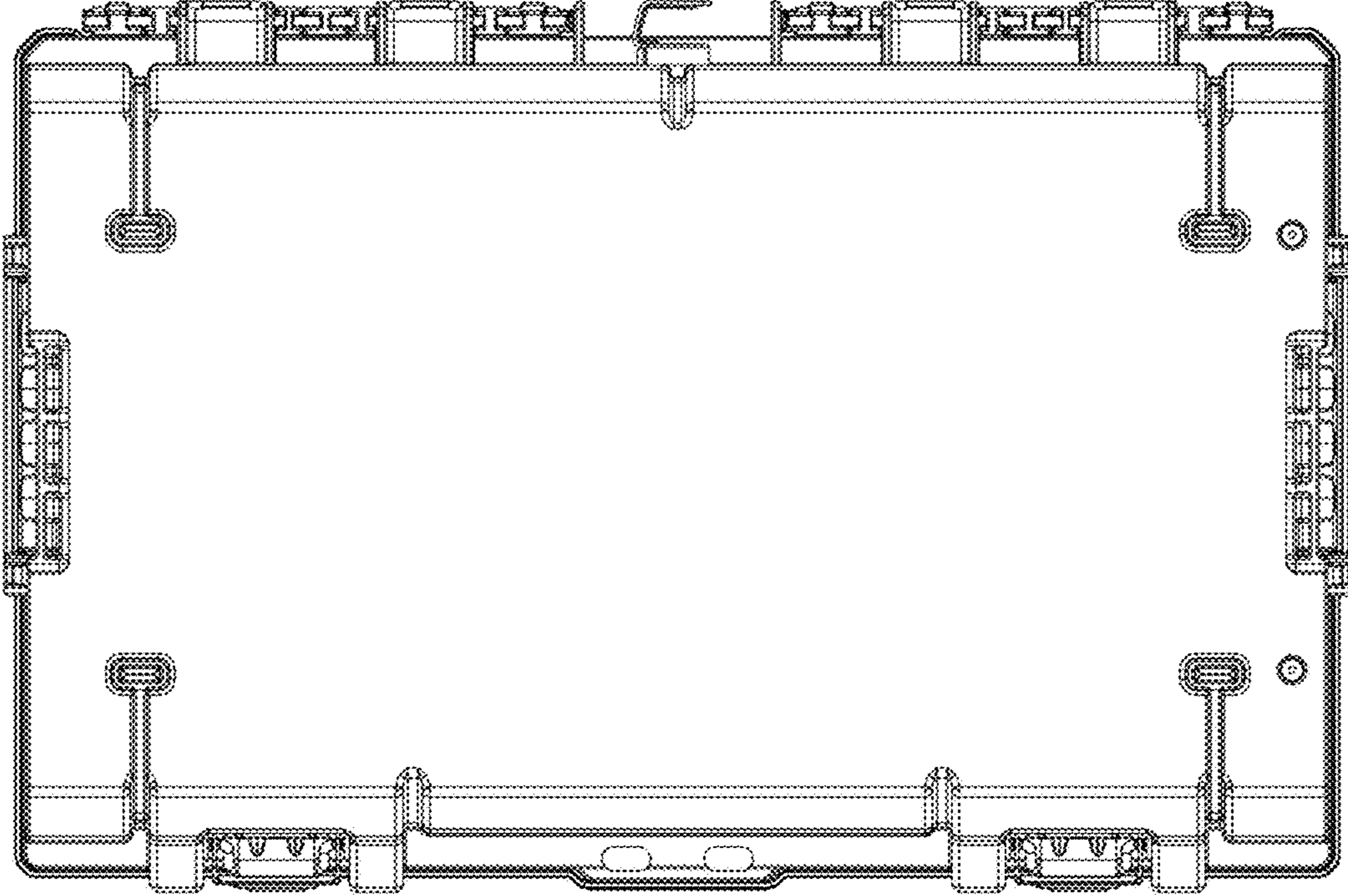


FIG. 7

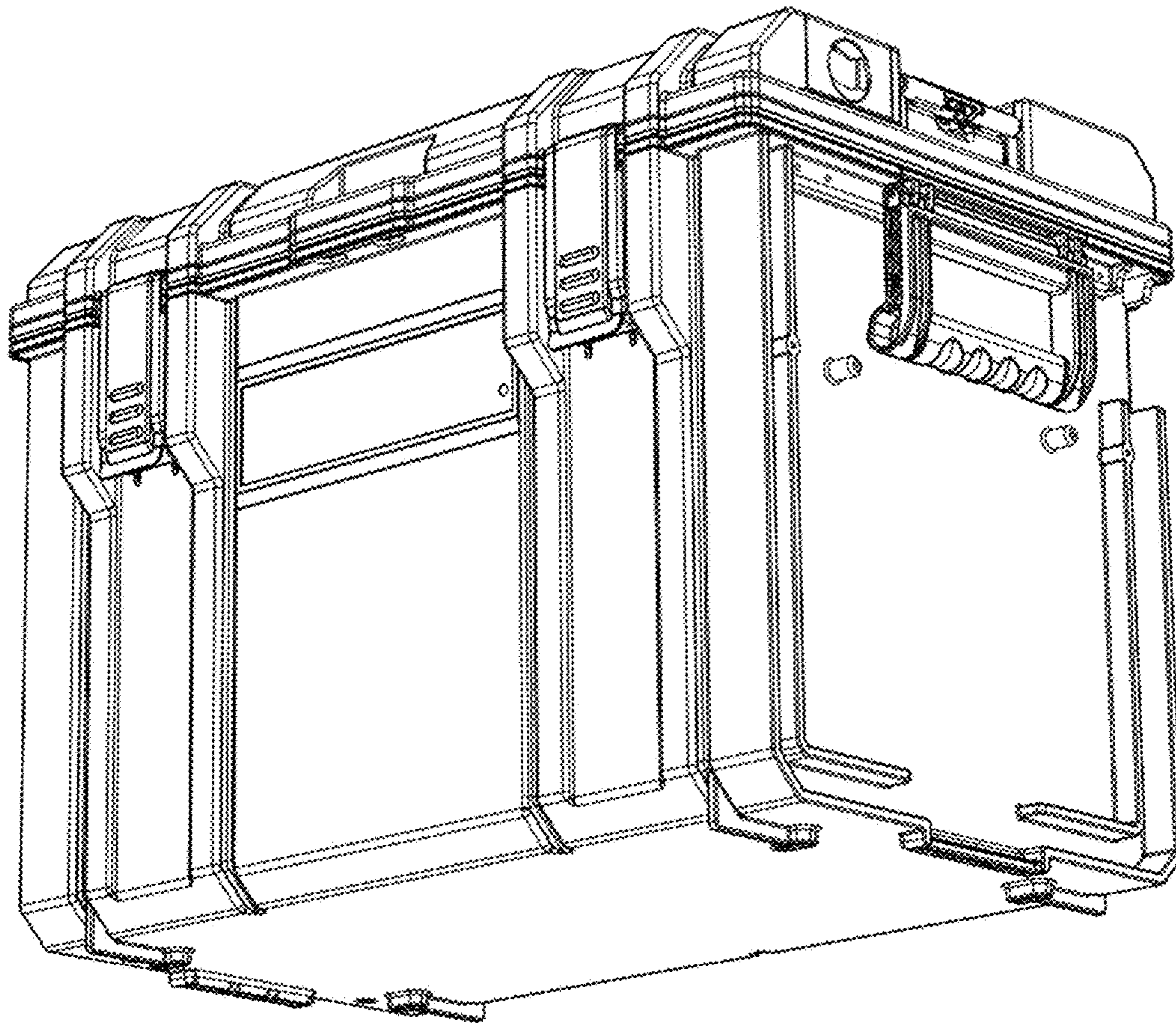


FIG. 8