



US00D839680S

(12) **United States Design Patent** (10) **Patent No.:** **US D839,680 S**
Lee (45) **Date of Patent:** **** Feb. 5, 2019**

(54) **COOLER**
(71) Applicant: **JBL INTERNATIONAL, INC,**
Houston, TX (US)
(72) Inventor: **Lawrence K. Lee,** Houston, TX (US)
(73) Assignee: **JBL INTERNATIONAL, INC,**
Houston, TX (US)
(**) Term: **15 Years**
(21) Appl. No.: **29/598,842**
(22) Filed: **Mar. 29, 2017**
(51) **LOC (11) Cl.** **07-01**
(52) **U.S. Cl.**
USPC **D7/605**
(58) **Field of Classification Search**
USPC D7/605, 606, 607, 608, 509, 510, 511,
D7/523, 533, 536, 629, 622, 619.1, 630,
D7/709, 614, 703, 705, 505; D9/502,
D9/504; D6/691, 691.1
CPC A45J 41/00; A45J 41/0005; A45J 41/0011;
A45J 41/0016; A45J 41/0027; A45J
41/0061; A45J 41/0066; A45J 41/0072;
B65D 81/3837; B65D 81/3876
See application file for complete search history.

D591,562 S * 5/2009 Lee D7/606
D632,929 S * 2/2011 Lee D7/606
D769,075 S * 10/2016 Lee D7/605
D769,077 S * 10/2016 Lee D7/605
D784,774 S * 4/2017 Lee D7/605
D807,706 S * 1/2018 Lee D7/605

OTHER PUBLICATIONS

Lumberjocks forum, "Barnwood Cooler Stands", posted Aug. 9, 2014. (<http://lumberjocks.com/projects/104412>).*
shanty-2-chic, "DIY Cooler", First comment Aug. 29, 2013. (<https://www.shanty-2-chic.com/2013/06/diy-cooler.html>).*
Amazon, "Merry Products Wooden Patio Cooler", First review Jun. 28, 2012. (<https://www.amazon.com/Merry-Garden-MPG-PC01-Wooden-Cooler/dp/B00559WM4S>).*

(Continued)

Primary Examiner — Jennifer Rivard
Assistant Examiner — April Rivas
(74) *Attorney, Agent, or Firm* — Egbert Law Offices, PLLC

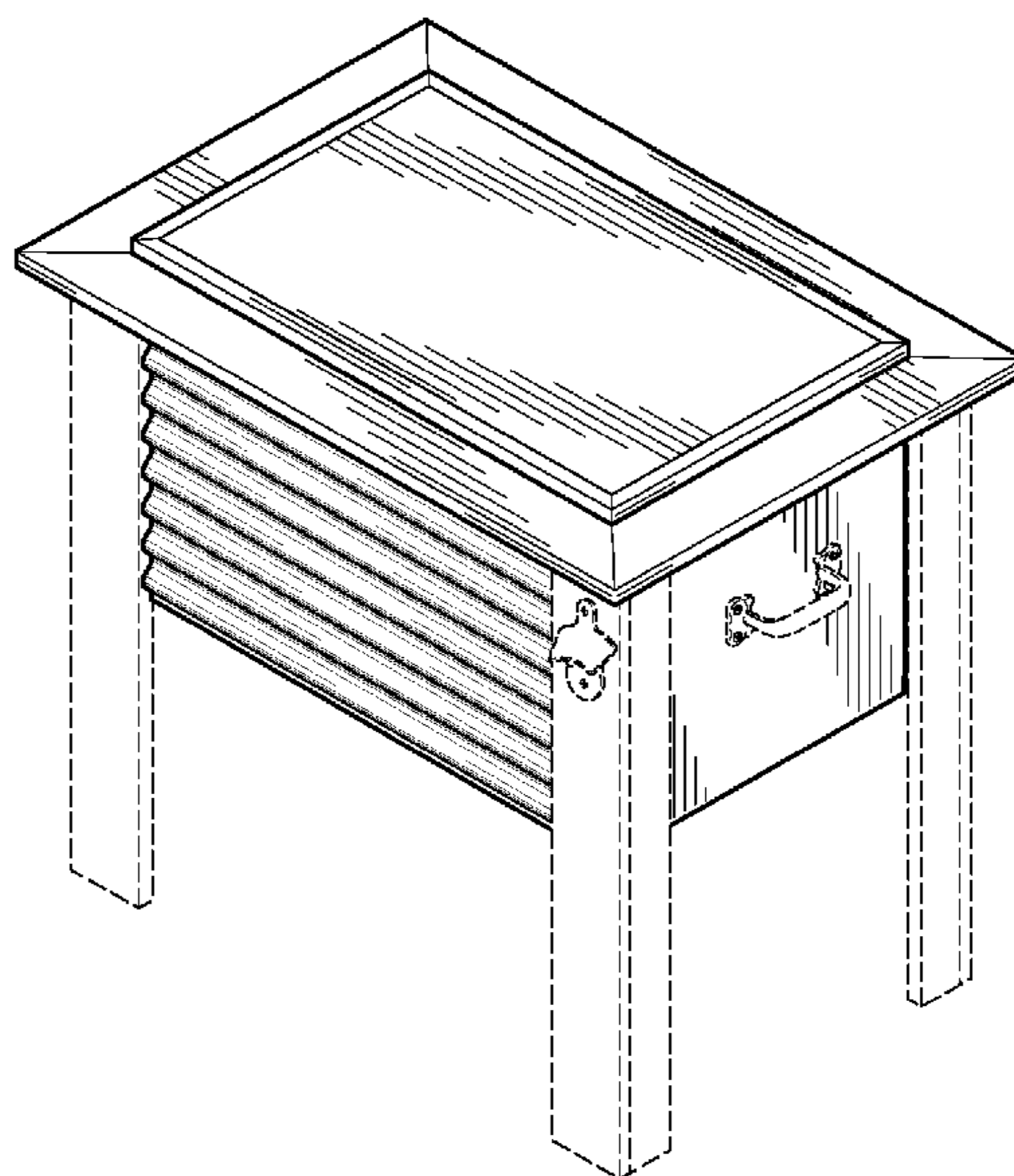
(57) **CLAIM**
The ornamental design for a cooler, as shown and described.

DESCRIPTION

FIG. 1 is an upper perspective view of a cooler showing my new design.
FIG. 2 is a front view thereof;
FIG. 3 is a rear view thereof;
FIG. 4 is a right side view thereof;
FIG. 5 is a left side view thereof;
FIG. 6 is a top view thereof;
FIG. 7 is a bottom view thereof; and,
FIG. 8 is a lower perspective view thereof.
The features presented in broken lines represent unclaimed portions of the cooler and form no part of the claimed design.

1 Claim, 3 Drawing Sheets

(56) **References Cited**
U.S. PATENT DOCUMENTS
D52,085 S * 6/1918 Stein D7/605
D240,205 S * 6/1976 Visser et al. D3/302
D429,115 S * 8/2000 Mount D7/605
D437,736 S * 2/2001 Moffett, III D7/605
D448,624 S * 10/2001 Moffett, III D7/605
D520,305 S * 5/2006 Brodock D6/664
D580,231 S * 11/2008 Lee D6/667
D580,232 S * 11/2008 Lee D7/606



(56)

References Cited

OTHER PUBLICATIONS

Reddit, "We made a bar for the backyard. Corrugated metal facing framed with stained wood, and a tiled top.", Posted on Mar. 22, 2014. (https://www.reddit.com/r/somethingimade/comments/211m1i/we_made_a_bar_for_the_backyard_corrugated_metal/).*

Eddie & Steph Blog, "Patio Cooler Stand. Project #2", posted on Feb. 13, 2013. <https://eddieandsteph.wordpress.com/2013/02/13/patio-cooler-stand-project-2/>).*

Youtube, "DIY Patio Bar Table with built-in drink cooler and light system", posted by Ian Cordova on Mar. 3, 2015. (<https://www.youtube.com/watch?v=kmP415LIg8k>).*

* cited by examiner

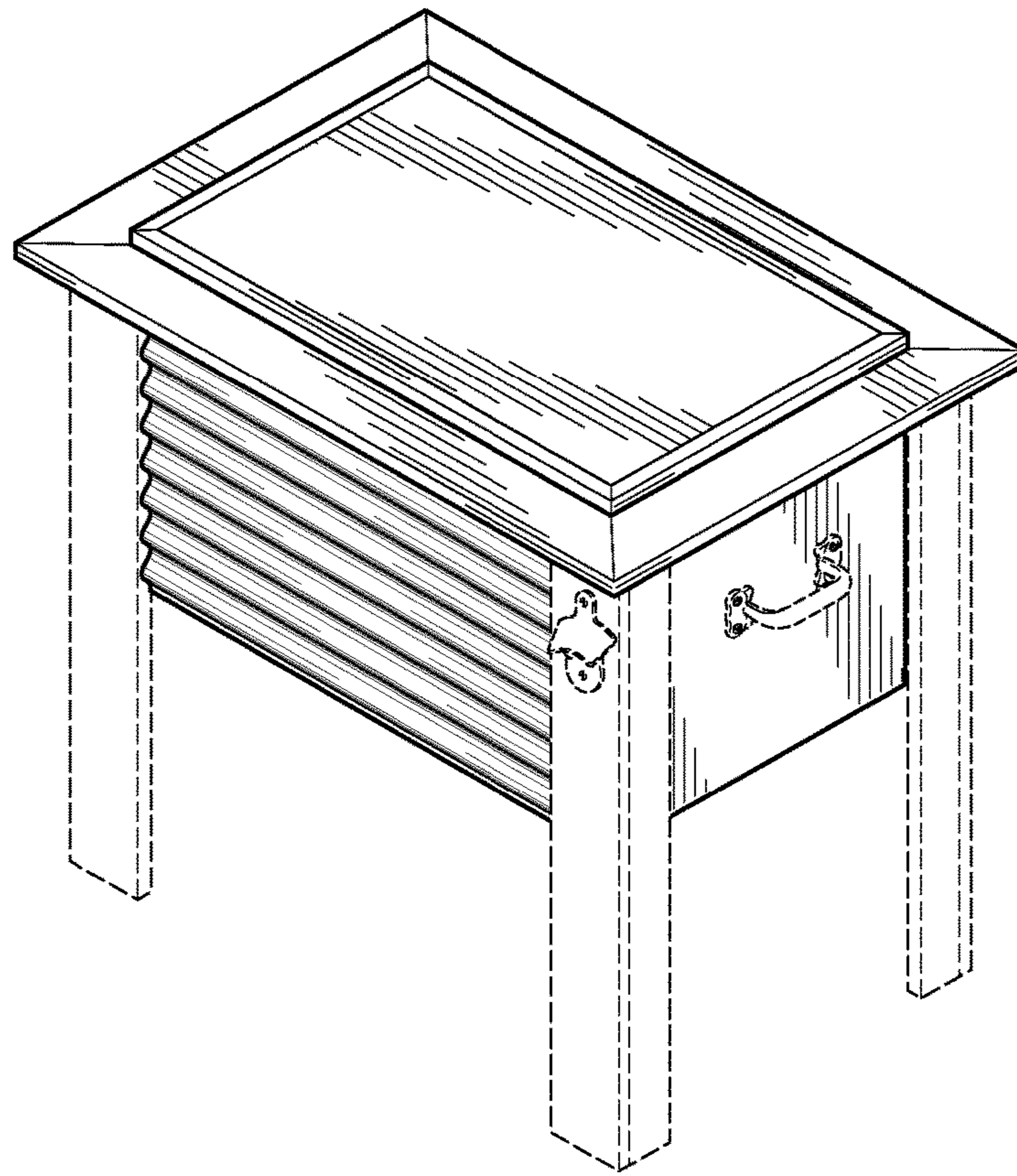


FIG. 1

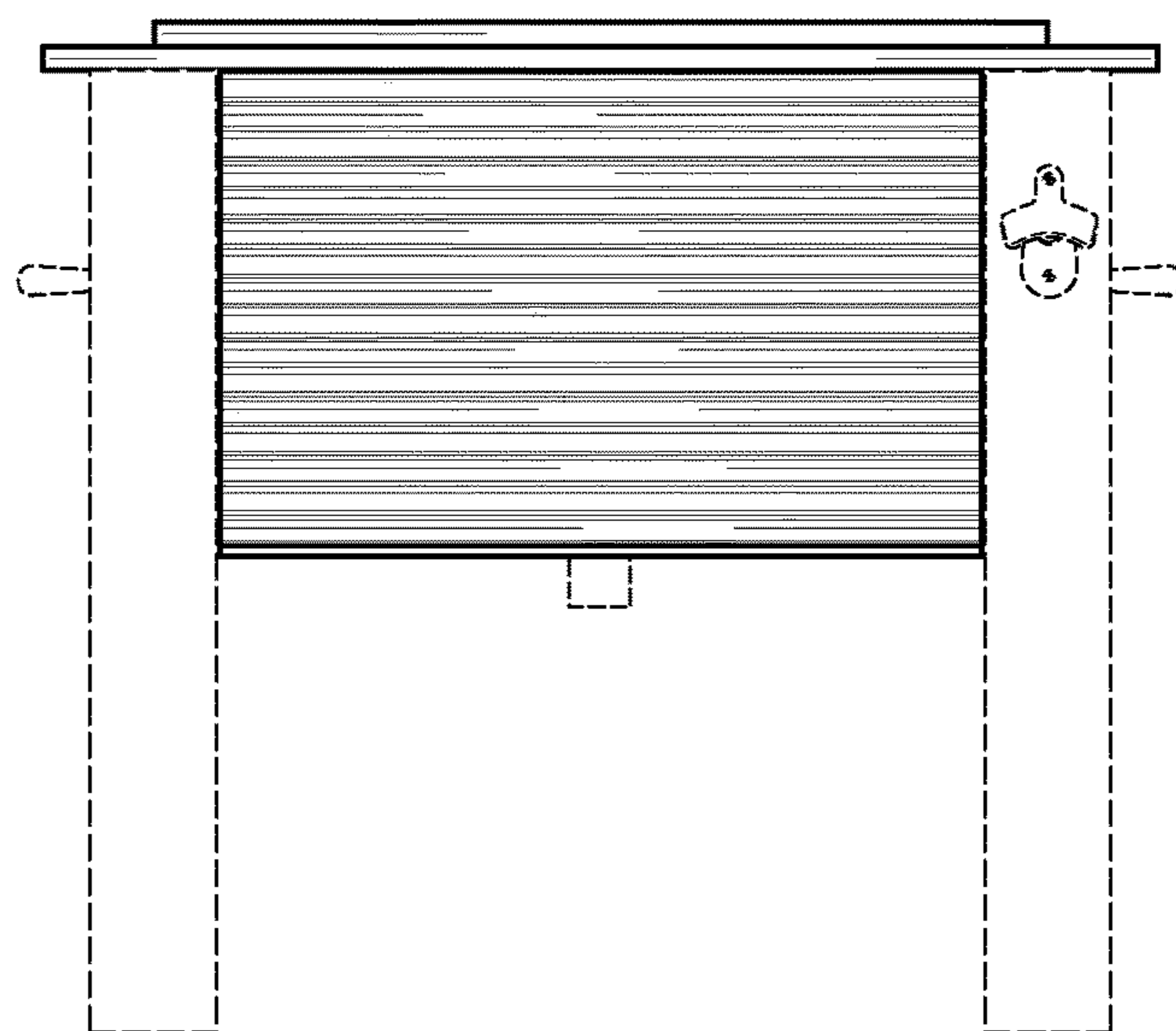


FIG. 2

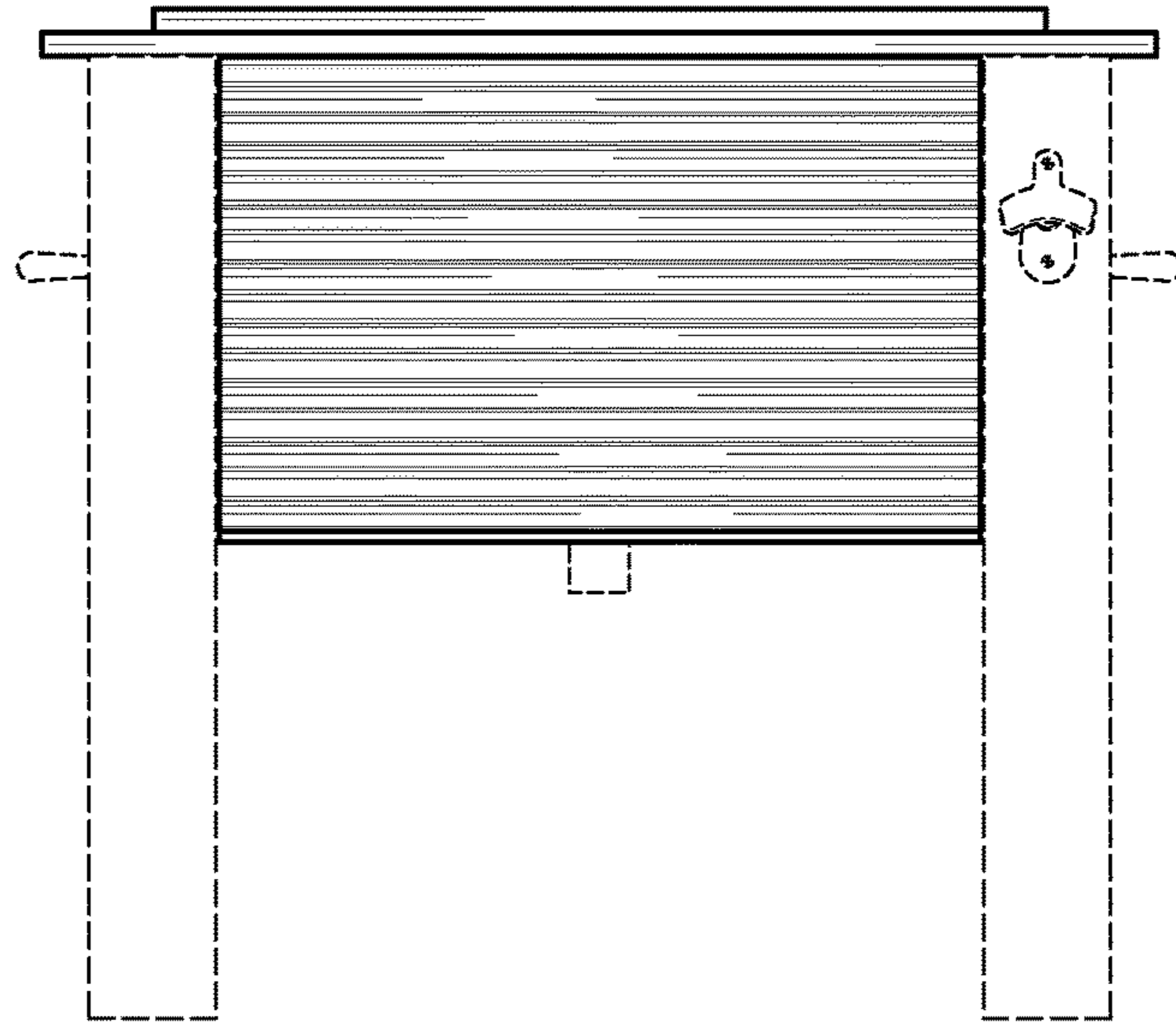


FIG. 3

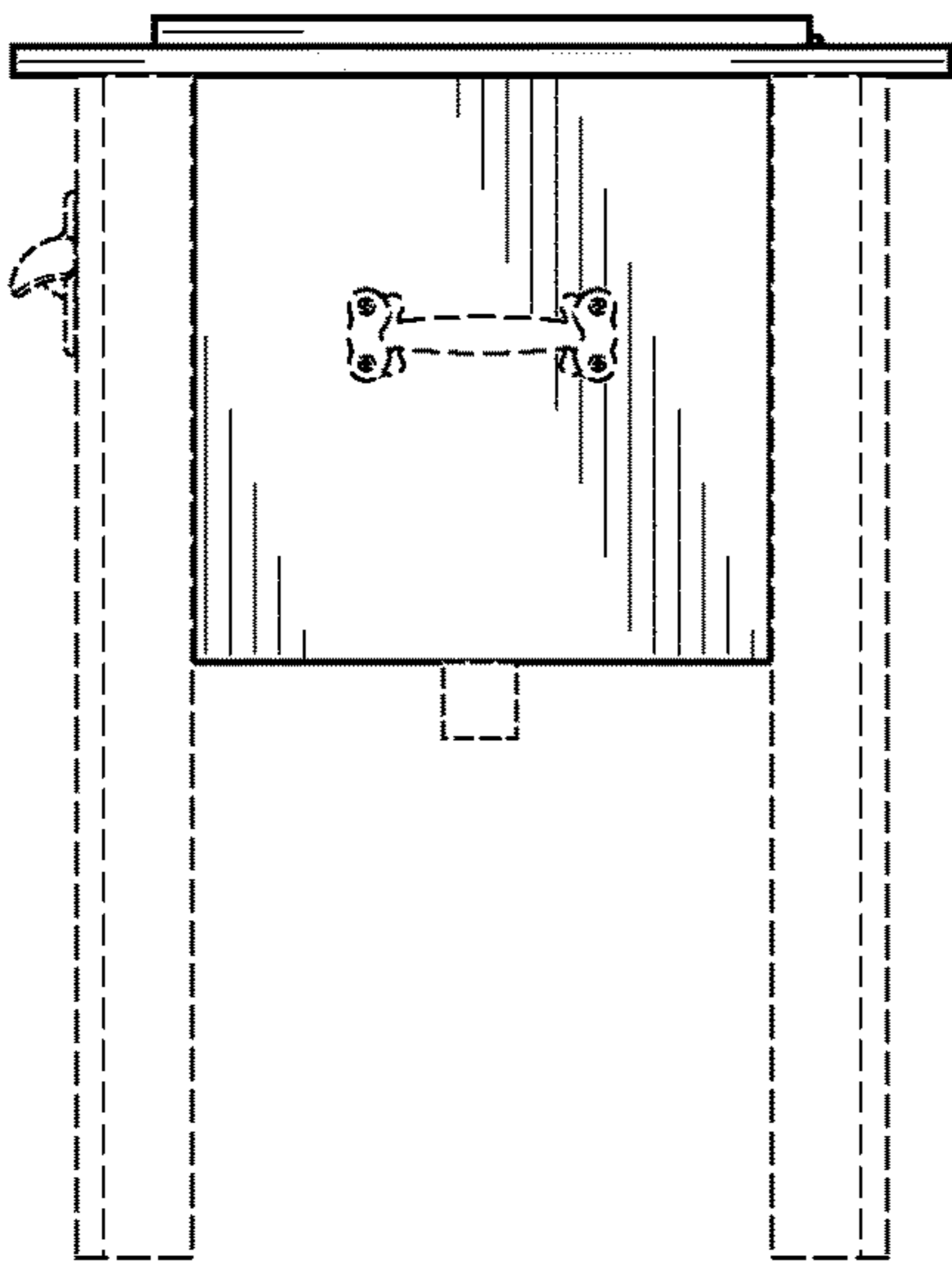


FIG. 4

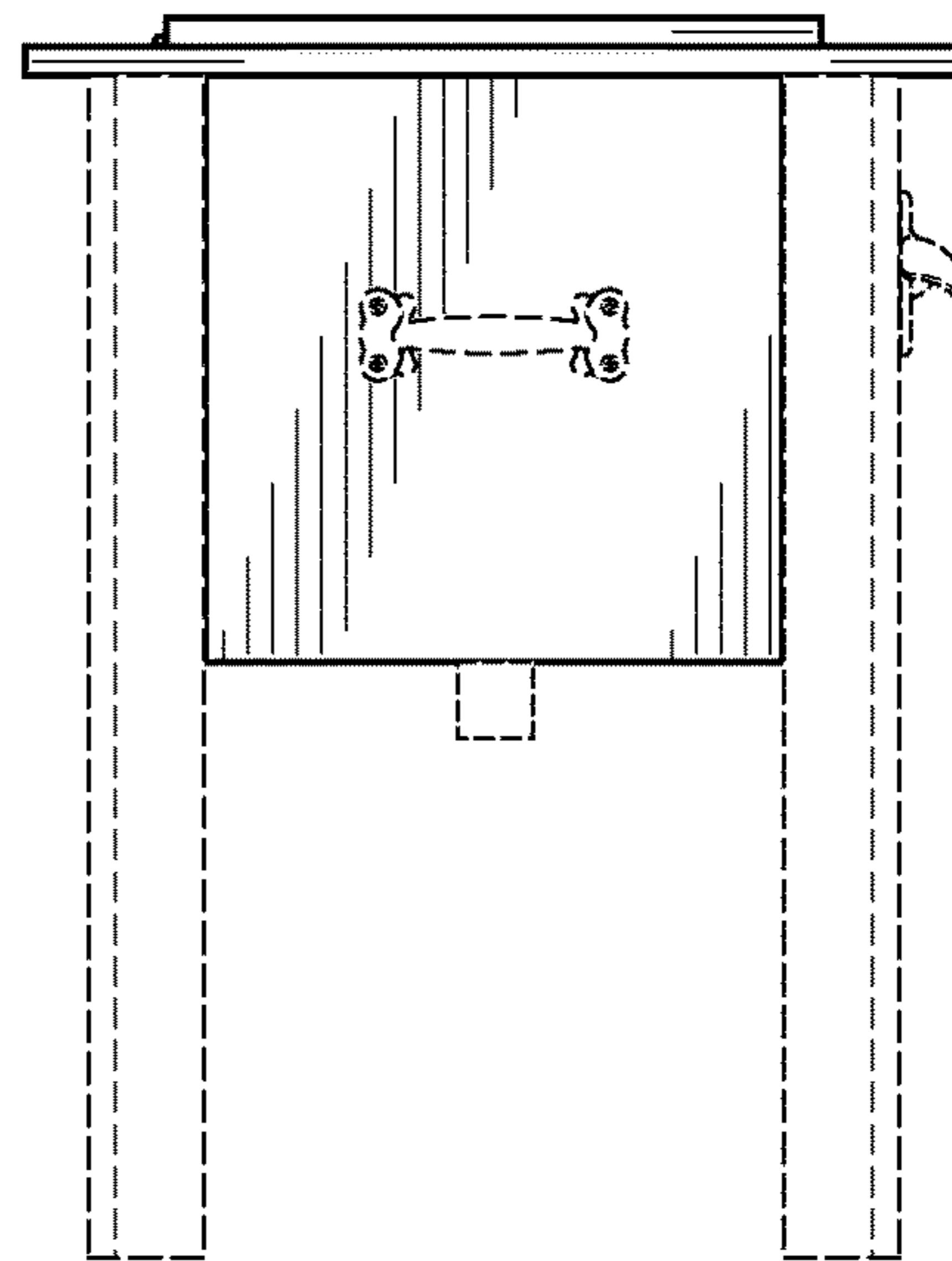


FIG. 5

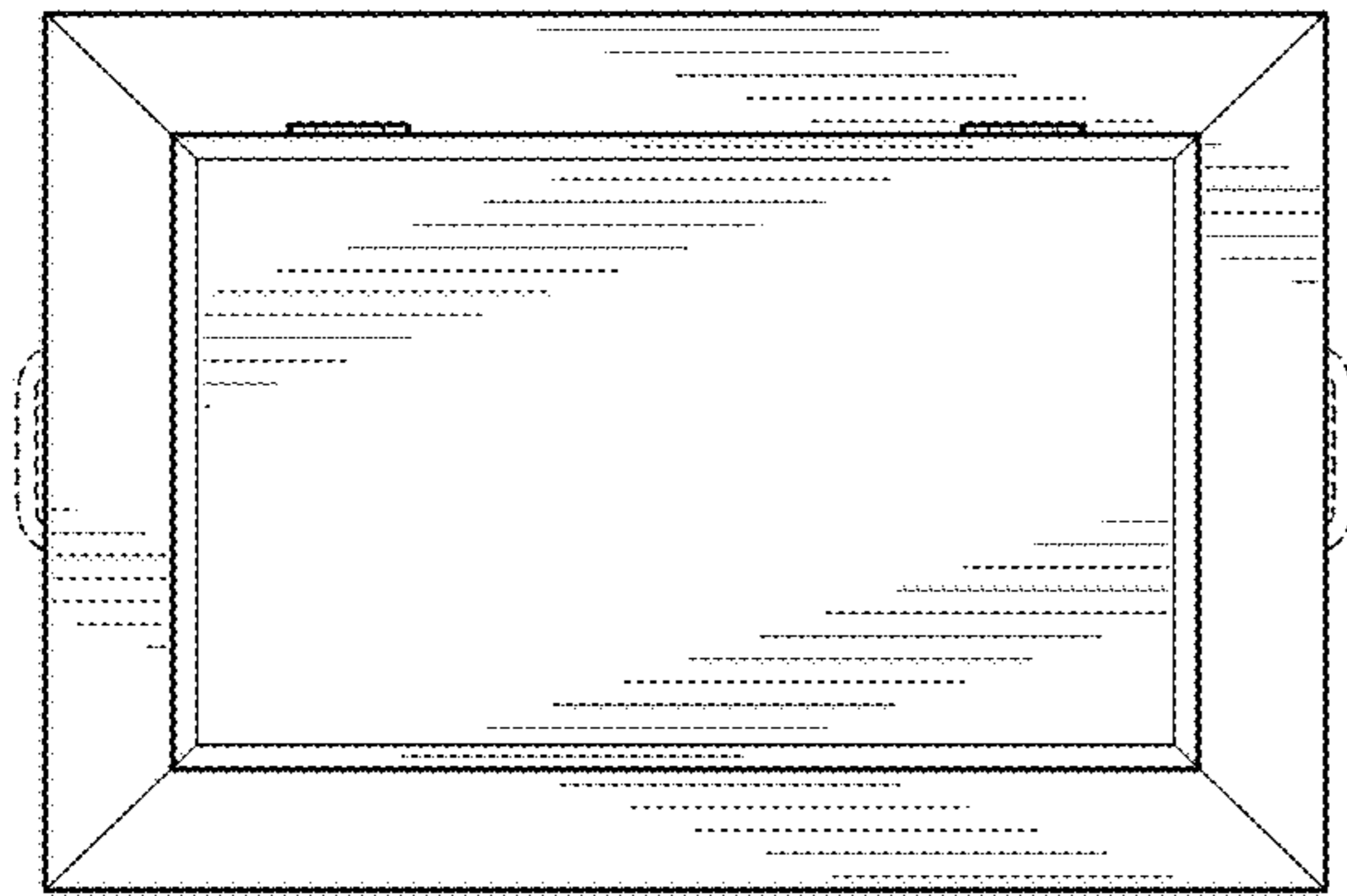


FIG. 6

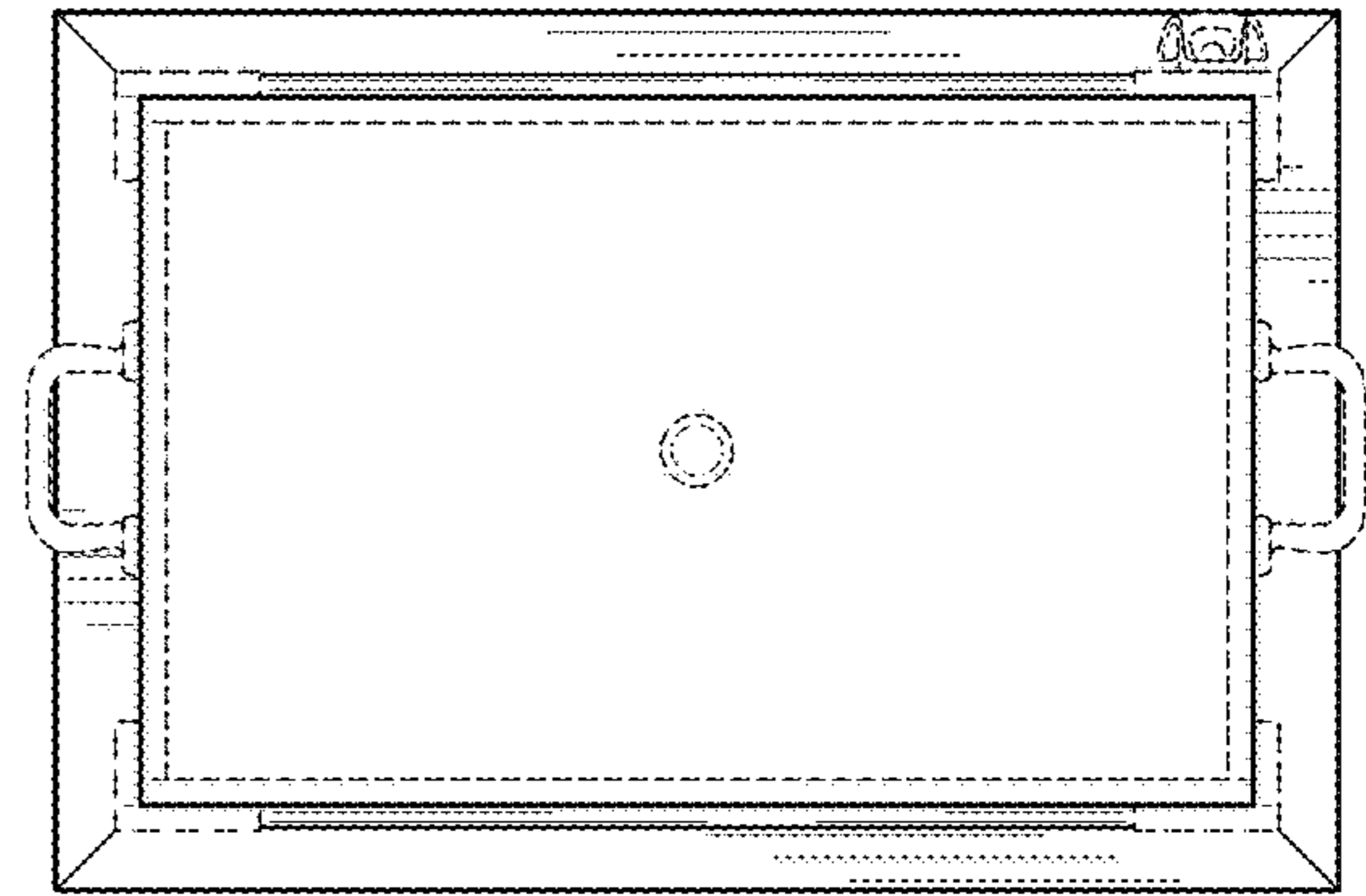


FIG. 7

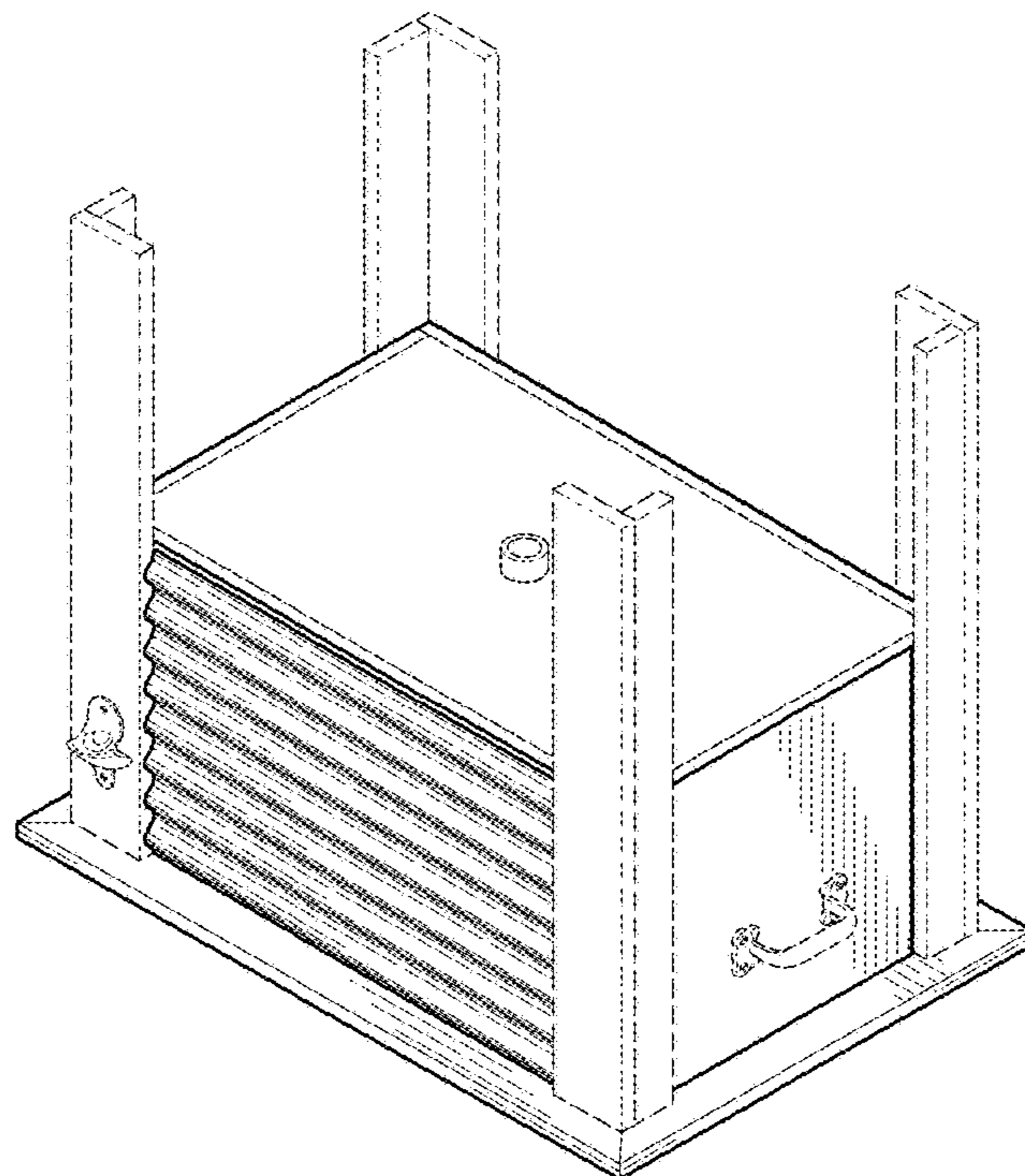


FIG. 8