



US00D839677S

(12) **United States Design Patent** (10) **Patent No.:** **US D839,677 S**  
**Seiders et al.** (45) **Date of Patent:** **\*\* \*Feb. 5, 2019**

(54) **CUP**  
(71) Applicant: **YETI Coolers, LLC**, Austin, TX (US)  
(72) Inventors: **Roy Joseph Seiders**, Austin, TX (US);  
**John Alan Tolman**, Austin, TX (US);  
**Steve Nichols**, Austin, TX (US)  
(73) Assignee: **YETI Coolers, LLC**, Austin, TX (US)

(\*) Notice: This patent is subject to a terminal disclaimer.  
(\*\*) Term: **15 Years**

(21) Appl. No.: **29/538,026**  
(22) Filed: **Aug. 31, 2015**  
(51) **LOC (11) Cl.** ..... **07-01**  
(52) **U.S. Cl.**  
USPC ..... **D7/523**; D7/532; D7/509  
(58) **Field of Classification Search**  
USPC ..... D7/507, 509, 510, 511, 512, 523, 529,  
D7/530, 531, 532, 533, 536, 300, 300.1,  
D7/591, 608, 629, 630; D9/500, 501,  
D9/502; 220/592.16, 592.17, 592.12,  
220/592.14, 592.15, 62.12, 62.13, 669;  
215/387, 18, 43; D3/202, 201  
CPC .... A47G 19/22; A47G 19/02; A47G 19/2227;  
A47G 19/025; A47G 19/2288; Y10S  
220/903  
See application file for complete search history.

(56) **References Cited**

**U.S. PATENT DOCUMENTS**

D2,440 S 9/1866 Matthews, Jr.  
604,514 A 5/1898 Belden  
D899,290 9/1908 Bricker et al.  
1,133,420 A 3/1915 Young  
D47,798 S 9/1915 Pick  
2,029,429 A 2/1936 Koons

2,070,414 A 2/1937 Snell  
D105,373 S 7/1937 Connor  
2,088,387 A 7/1937 Rice, Jr. et al.  
2,128,466 A 8/1938 Machotka  
2,215,402 A 9/1940 McDonald  
2,215,691 A 9/1940 East  
2,378,867 A 6/1945 Reichart  
(Continued)

**FOREIGN PATENT DOCUMENTS**

CN 3606899 2/2007  
CN 202104668 U 1/2012  
(Continued)

**OTHER PUBLICATIONS**

[http://global.rakuten.com/zh-tw/store/mitsuyoshi/item/tw-123-snowpeak/ Snow Peak Mug Apr. 28, 2012.\\*](http://global.rakuten.com/zh-tw/store/mitsuyoshi/item/tw-123-snowpeak/Snow Peak Mug Apr. 28, 2012)  
(Continued)

*Primary Examiner* — Marianne N Pandozzi  
*Assistant Examiner* — Jae Liang  
(74) *Attorney, Agent, or Firm* — Banner & Witcoff, Ltd.

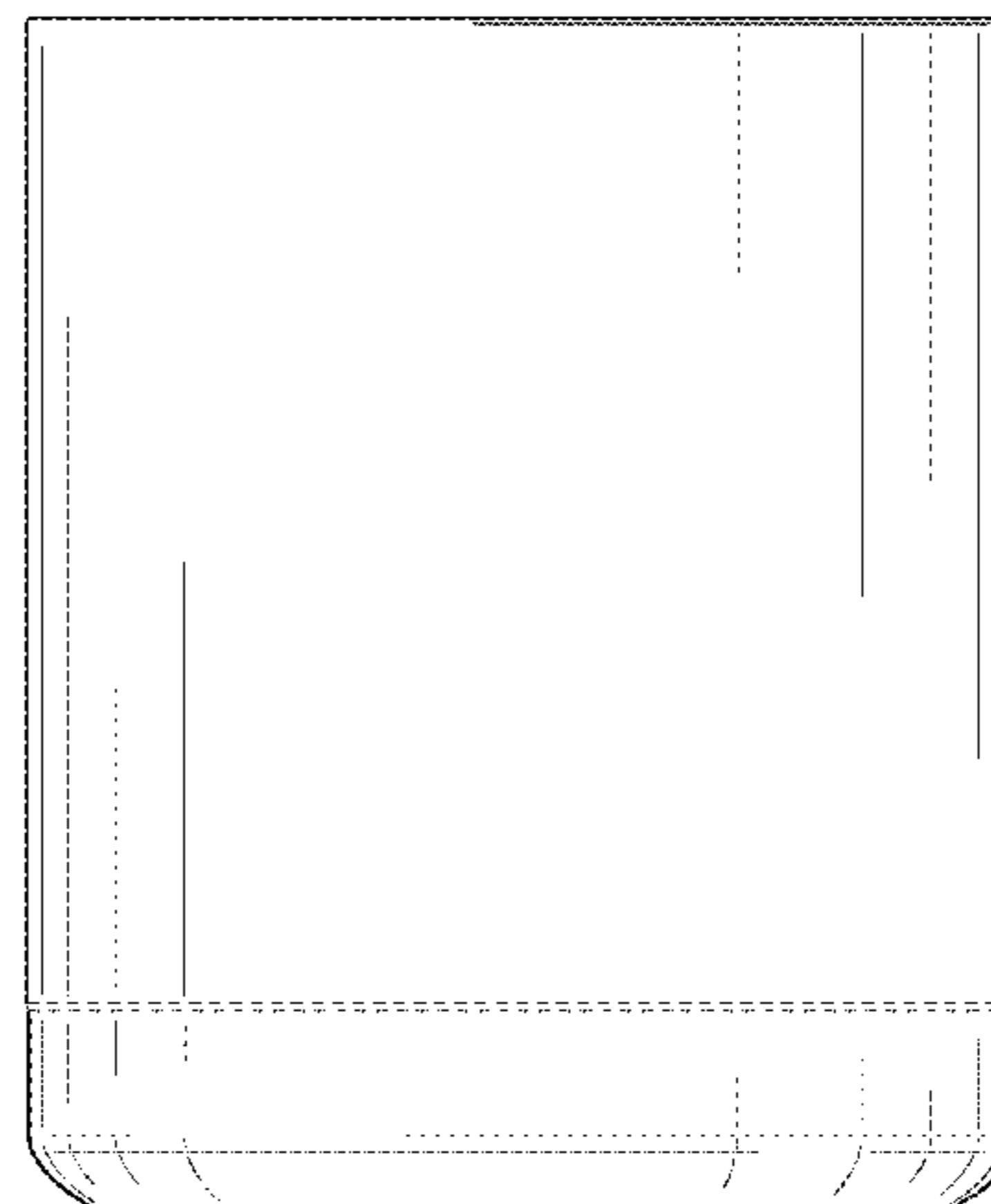
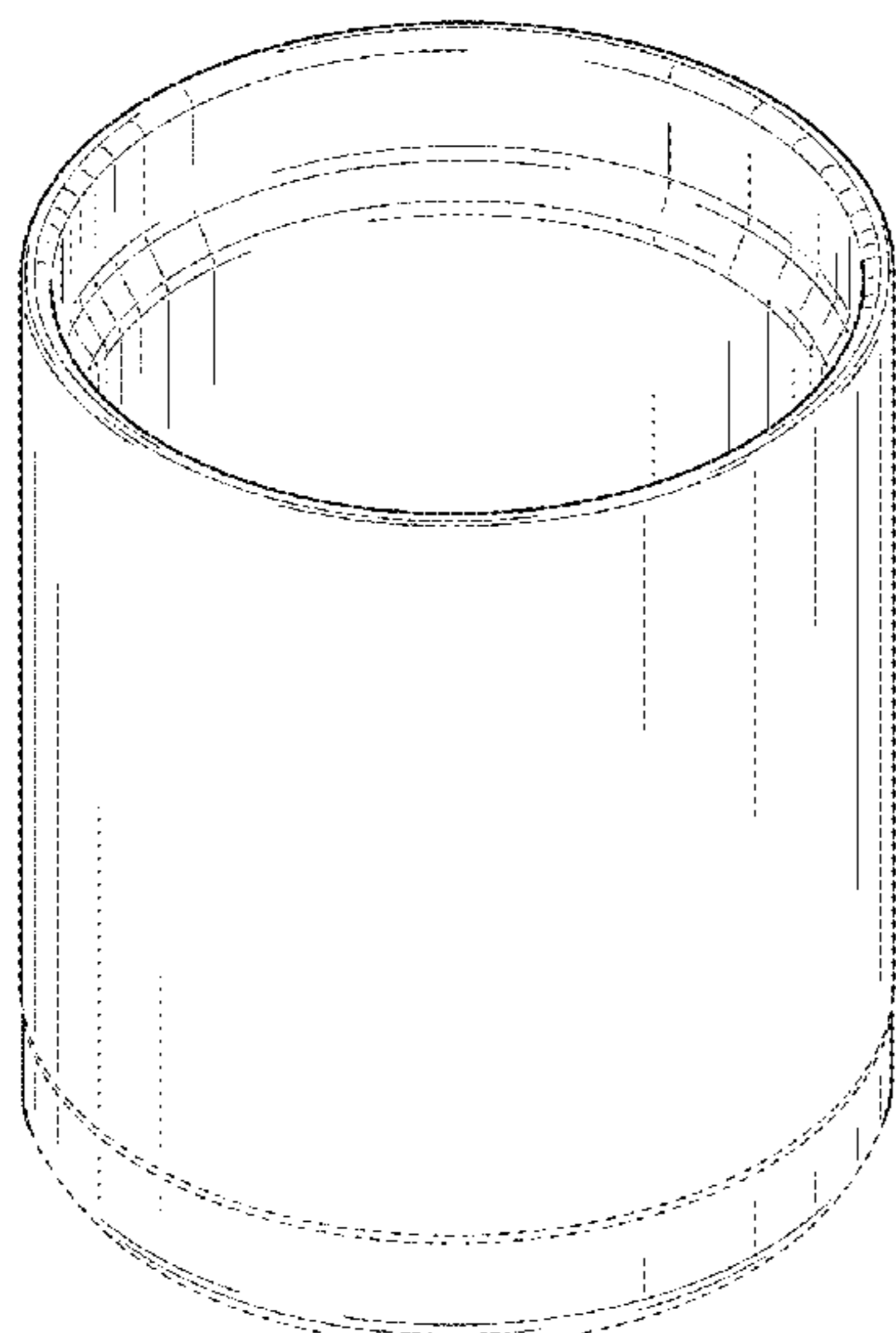
(57) **CLAIM**

The ornamental design for a cup, as shown and described.

**DESCRIPTION**

FIG. 1 is a top, front, right perspective view of a cup showing our new design;  
FIG. 2 is a front view thereof, wherein the rear view, right side view and left side view are mirror images and identical thereto;  
FIG. 3 is a top view thereof; and,  
FIG. 4 is a bottom view thereof.  
The broken lines immediately adjacent to the shaded area represent unclaimed boundaries of the design. The broken lines showing the remainder of the cup are for environmental purposes only and form no part of the claimed design.

**1 Claim, 2 Drawing Sheets**



(56)

## References Cited

U.S. PATENT DOCUMENTS			
2,484,608	A *	10/1949	Cheyney ..... B65D 81/3823 215/DIG. 1
D177,559	S	5/1956	Emmert
2,871,051	A	1/1959	Nesslein et al.
D186,555	S	11/1959	Hunt
2,928,570	A	3/1960	Fitch
2,981,562	A	4/1961	Long
3,128,029	A *	4/1964	Price ..... B65D 1/265 220/DIG. 14
3,202,309	A	8/1965	Simpson
3,206,210	A	9/1965	Bard
3,261,633	A	7/1966	Sakuta
3,342,370	A	9/1967	Johnson
D209,308	S	11/1967	Schilling
3,353,729	A	11/1967	Hull
D209,533	S	12/1967	Cole
D211,818	S	7/1968	Massey
3,458,164	A	7/1969	Massey
3,463,140	A	8/1969	Rollor
D217,781	S	6/1970	Stone
3,571,940	A *	3/1971	Bender ..... F26B 5/06 220/592.01
3,578,524	A *	5/1971	Ignell ..... B29C 65/18 156/196
3,603,106	A	9/1971	Ryan et al.
3,679,253	A	7/1972	Simms
3,682,352	A	8/1972	Doucette
3,730,383	A *	5/1973	Dunn ..... B65D 1/165 220/606
3,755,030	A	8/1973	Doman et al.
D229,006	S	11/1973	Sauey
3,979,011	A	9/1976	Schleicher
3,995,445	A	12/1976	Huskins
D246,029	S	10/1977	Lynn et al.
4,120,073	A	10/1978	Studebaker
4,127,915	A	12/1978	Logan et al.
4,136,799	A *	1/1979	Albert ..... A47G 19/2272 215/315
D251,175	S	2/1979	Logan et al.
4,151,923	A *	5/1979	Bernardi ..... A47G 19/2288 215/12.1
4,163,374	A *	8/1979	Moore ..... B65D 81/3883 220/592.01
4,183,226	A	1/1980	Moore
D254,417	S	3/1980	DeMars et al.
D256,418	S	8/1980	Corbett
4,253,630	A	3/1981	Rigg
D258,795	S	4/1981	Zamorski
D263,581	S	3/1982	Kaye
D265,159	S	6/1982	La Barbera
D265,279	S	7/1982	Wright
D265,880	S	8/1982	Craig
4,344,303	A	8/1982	Kelly, Jr.
D266,391	S	10/1982	Jordon
D269,147	S	5/1983	Trombly
4,452,374	A *	6/1984	Hitchcock ..... B32B 15/08 220/62.12
4,452,375	A *	6/1984	Marcus ..... B32B 15/08 220/62.12
4,456,134	A *	6/1984	Cooper ..... B65D 1/0292 215/12.1
4,540,611	A	9/1985	Henderson
D285,032	S	8/1986	Alonzo
D286,604	S	11/1986	Bierlein et al.
D286,967	S	12/1986	Appel
D288,766	S *	3/1987	Tardif ..... D7/523
4,654,274	A	3/1987	DeMars
D289,143	S	4/1987	Guillaume
D289,484	S	4/1987	Forquer et al.
4,715,633	A	12/1987	Brink et al.
4,720,023	A	1/1988	Jeff
4,746,028	A	5/1988	Bagg
D298,200	S	10/1988	Block et al.
4,798,063	A	1/1989	Rimmer
D300,495	S	4/1989	Minuti
D301,821	S	6/1989	Bartolo
4,848,625	A	7/1989	Lucia
4,993,675	A	2/1991	Walker
D318,428	S	7/1991	Kowk
D322,753	S	12/1991	Sussman
D324,281	S	2/1992	Brussing
D324,976	S	3/1992	Katz
D327,093	S	6/1992	Evenson
D334,869	S	4/1993	Mills
D337,029	S	7/1993	McKechnie
5,249,703	A	10/1993	Karp
D345,676	S	4/1994	Biffle
D352,210	S *	11/1994	Cousins ..... D7/612
5,390,804	A *	2/1995	Beggins ..... B65D 23/0885 215/12.1
5,398,842	A	3/1995	Sokolski et al.
5,400,907	A	3/1995	Chen
D357,387	S	4/1995	Davidson et al.
5,427,269	A	6/1995	Willbrandt
5,433,337	A	7/1995	Willbrandt
D363,642	S	10/1995	Goto et al.
5,467,891	A *	11/1995	Perry ..... B65D 81/3886 220/62.11
D366,186	S *	1/1996	Kato ..... D7/511
D368,830	S	4/1996	Lu
D370,300	S	5/1996	Gottvald et al.
5,531,353	A	7/1996	Ward et al.
D372,839	S	8/1996	Laib
D375,870	S	11/1996	Stonehouse
5,573,141	A	11/1996	Chen
D377,741	S *	2/1997	Bennett ..... D7/536
D379,738	S	6/1997	Liming et al.
D382,174	S	8/1997	Grimm
5,655,805	A	8/1997	Shaddy
D384,557	S	10/1997	Goza
D386,948	S *	12/1997	Wissinger ..... D7/511
D395,200	S	6/1998	Bidwell
D395,238	S	6/1998	Freitas
5,769,262	A	6/1998	Yamada et al.
D395,825	S	7/1998	Freitas
D396,381	S	7/1998	Chung
D396,605	S	8/1998	Benson
5,788,298	A	8/1998	Cheng
5,799,369	A	9/1998	Schulein
5,816,631	A	10/1998	Kochan
D402,766	S	12/1998	Smith et al.
5,848,722	A	12/1998	Hanes
D404,974	S	2/1999	Kristinik
D405,609	S	2/1999	Fu et al.
5,868,310	A	2/1999	Leszczynski
D408,689	S	4/1999	Kato
D412,806	S	8/1999	Pierce
D416,444	S	11/1999	Jørgensen
D416,757	S	11/1999	Ginuntoli
D417,589	S	12/1999	Parker
D417,590	S *	12/1999	Kato ..... D7/510
D417,593	S	12/1999	Ruegg
D417,819	S	12/1999	Kelly-Pollet
6,050,443	A	4/2000	Tung
6,065,609	A	5/2000	Lake
6,065,632	A	5/2000	Moore, Jr.
6,085,931	A	7/2000	Sadow
D429,607	S	8/2000	Prim
6,094,935	A	8/2000	Stein
6,102,458	A	8/2000	Scace
6,135,312	A	10/2000	Chen et al.
D433,599	S *	11/2000	Kristiansen ..... D7/509
D433,876	S	11/2000	Freed
6,149,028	A	11/2000	Yu
6,161,720	A	12/2000	Castle
D436,295	S	1/2001	Furman et al.
D437,187	S	2/2001	Cheng
6,216,909	B1	4/2001	Lin
D442,833	S	5/2001	Shuman
6,237,801	B1	5/2001	Liu
6,241,095	B1 *	6/2001	Yencheng ..... B65D 11/16 206/459.1
6,241,415	B1	6/2001	Stark

(56)

References Cited

U.S. PATENT DOCUMENTS

6,260,732 B1	7/2001	Khodush		H2217 H	6/2008	Smay et al.	
D446,687 S	8/2001	Furman et al.		D572,136 S	7/2008	Boni	
6,308,846 B1 *	10/2001	Muller .....	B65D 81/3841	D573,390 S *	7/2008	Ablo .....	D7/300
			215/12.1	D577,260 S	9/2008	Bodum	
6,332,557 B1	12/2001	Moran		D585,245 S	1/2009	Brouillette	
6,334,271 B1 *	1/2002	Su Yeh .....	G09F 19/02	D587,523 S	3/2009	Moon	
			220/62.14	D587,967 S *	3/2009	Wahl .....	D7/507
6,352,168 B1 *	3/2002	Lin .....	A47G 19/2227	D588,912 S	3/2009	Christensen et al.	
			220/23.88	D592,015 S	5/2009	Carpenter	
6,352,235 B2	3/2002	Cizek		D592,058 S	5/2009	Rapaport	
6,360,913 B1	3/2002	Bruinsma et al.		7,527,310 B2	5/2009	Shaskey, Sr.	
D455,052 S	4/2002	Gullickson et al.		D593,372 S	6/2009	Carreno	
D455,610 S	4/2002	Bridges		D593,811 S	6/2009	Carreno	
D455,612 S	4/2002	Gullickson et al.		D593,859 S	6/2009	Barnum	
D455,613 S	4/2002	Bruinsma et al.		D594,687 S	6/2009	Bodum	
D456,578 S	4/2002	Smith et al.		D595,133 S	6/2009	Lewis	
D457,245 S *	5/2002	Royal .....	D24/197	D598,747 S	8/2009	Caldwell	
D457,389 S	5/2002	Snell		D600,073 S *	9/2009	Carreno .....	D7/509
6,392,206 B1	5/2002	Von Arx et al.		7,581,704 B1	9/2009	Pugsley	
D458,081 S	6/2002	Bodum		7,581,770 B2	9/2009	Jones	
D460,895 S	7/2002	Lin		7,604,270 B1	10/2009	McCarthy	
D462,879 S	9/2002	Martens		D608,133 S	1/2010	Choi	
6,450,363 B1	9/2002	Lin		D609,534 S	2/2010	Traficante et al.	
D463,715 S	10/2002	Dretzka		D610,176 S	2/2010	Nagamine et al.	
D465,132 S	11/2002	Janky et al.		7,686,183 B2	3/2010	Ziegler	
D466,371 S	12/2002	Parker		D613,554 S	4/2010	Koennecke	
D466,814 S	12/2002	Hurlburt		D615,366 S	5/2010	Berezansky	
D470,724 S	2/2003	Basara		D615,817 S *	5/2010	George .....	D7/510
D471,064 S	3/2003	Renz		D616,248 S	5/2010	George	
D471,763 S	3/2003	Hurlbut et al.		D617,608 S	6/2010	Yang et al.	
D472,101 S	3/2003	Janky		D617,640 S	6/2010	Jones	
D474,651 S	5/2003	Ward		D618,964 S	7/2010	Eisenhardt	
6,557,751 B2	5/2003	Puerini		D622,548 S	8/2010	Jensen et al.	
D476,193 S	6/2003	Janky		D622,554 S	8/2010	Carreno	
D476,528 S	7/2003	Janky et al.		D626,414 S *	11/2010	Cresswell .....	D9/500
D477,185 S	7/2003	Janky		D629,657 S	12/2010	Carreno	
6,588,064 B2	7/2003	Baum		D629,691 S *	12/2010	Cresswell .....	D9/500
6,626,326 B2	9/2003	Murakami		D631,699 S	2/2011	Moreau	
D483,165 S	12/2003	Dretzka		D635,400 S	4/2011	Snyder	
D483,610 S *	12/2003	Kerman .....	D7/509	D636,640 S	4/2011	Latham	
D483,995 S *	12/2003	Otake .....	D7/523	D641,591 S	7/2011	Tsukida	
D484,361 S	12/2003	Jeung		D643,289 S	8/2011	Harlan	
6,658,701 B1	12/2003	DeHart et al.		D648,599 S *	11/2011	Watanabe .....	D7/509
D488,673 S	4/2004	Farce		D652,256 S	1/2012	Eyal	
D489,574 S *	5/2004	Copeland .....	D7/533	D653,082 S *	1/2012	George .....	D7/510
D490,274 S	5/2004	Irvine		D655,134 S *	3/2012	Gilbert .....	D7/510
6,729,665 B1	5/2004	Posey et al.		D656,361 S	3/2012	Gilbert	
D493,068 S *	7/2004	Slater .....	D7/510	D658,922 S	5/2012	Fallon et al.	
D497,778 S	11/2004	Rich		D659,474 S	5/2012	Wahl et al.	
6,864,462 B2	3/2005	Sanoner et al.		D660,082 S	5/2012	Wahl	
6,962,265 B1	11/2005	Zhang		D660,084 S	5/2012	Gilbert	
D512,272 S	12/2005	Avrish		D660,655 S	5/2012	Wahl et al.	
D512,275 S	12/2005	Kent-Fawkes		D663,169 S	7/2012	Beggins et al.	
6,979,031 B2	12/2005	Coppotelli et al.		D664,001 S	7/2012	Liu	
D524,607 S	7/2006	Kent-Fawkes		8,225,957 B1 *	7/2012	Volan .....	A47J 41/0077
D527,222 S	8/2006	Liu					215/12.1
D530,852 S	10/2006	Zheng		D665,491 S	8/2012	Goel et al.	
D533,748 S	12/2006	Bresler		D666,061 S	8/2012	Ying	
D534,396 S	1/2007	Kramer		8,251,247 B1	8/2012	Breckner	
D537,676 S	3/2007	Kingsley		D669,735 S	10/2012	Wong	
D537,677 S	3/2007	Bresler		D670,525 S	11/2012	Fallon et al.	
7,195,137 B2	3/2007	Belcastro		D675,063 S	1/2013	Wahl	
D540,124 S *	4/2007	Ross .....	D7/509	D675,066 S	1/2013	Conlin et al.	
7,207,538 B2	4/2007	Kent-Fawkes		D675,100 S *	1/2013	Herbst .....	D7/511
D548,012 S	8/2007	Tien		8,364,542 B2	1/2013	Grauel et al.	
D552,932 S	10/2007	Carlson		D679,949 S	4/2013	Meritt	
D553,440 S	10/2007	Bodum		D679,960 S	4/2013	Hopkins et al.	
7,284,777 B1	10/2007	Kraemer		D680,375 S	4/2013	Pousard et al.	
D557,567 S	12/2007	Gronikowski et al.		D680,387 S	4/2013	Hopkins et al.	
D561,590 S	2/2008	Kingsley		D682,625 S	5/2013	Lane	
D562,072 S	2/2008	Wahl		D682,626 S	5/2013	Lane	
D565,901 S	4/2008	Edelstein et al.		D684,459 S *	6/2013	Stowe .....	D9/428
D566,471 S	4/2008	Bodum		D685,231 S	7/2013	Lane	
D568,685 S	5/2008	Bodum		8,499,951 B1	8/2013	McDonald et al.	
D569,183 S	5/2008	Blake		D693,176 S	11/2013	Kaiser	
				D693,649 S	11/2013	Yeung	
				D694,112 S	11/2013	Brown	
				D695,138 S	12/2013	Ball	
				8,608,019 B2	12/2013	Wren	

(56)

## References Cited

## U.S. PATENT DOCUMENTS

D698,200 S 1/2014 Lauwagie  
 8,684,430 B1 4/2014 Brandon  
 D705,012 S 5/2014 Lapsker  
 D709,737 S 7/2014 Weinert et al.  
 D709,738 S 7/2014 Weinert et al.  
 D710,155 S 8/2014 Tatsukawa  
 D711,684 S 8/2014 Perdomo  
 D712,701 S 9/2014 Boroski  
 D713,686 S 9/2014 Eyal  
 D715,101 S 10/2014 Grcic  
 D717,605 S 11/2014 Kristinik  
 D717,606 S 11/2014 Kristinik  
 D719,785 S 12/2014 Grcic  
 D719,788 S 12/2014 Soltz et al.  
 D720,187 S 12/2014 Romley  
 8,899,644 B2 12/2014 Hancey  
 8,919,603 B2 12/2014 Greene  
 D721,250 S \* 1/2015 Chen ..... D7/510  
 D721,546 S 1/2015 Davidson  
 D724,385 S \* 3/2015 Hurley ..... D7/511  
 D727,688 S 4/2015 Hewitt et al.  
 D728,311 S 5/2015 Eyal  
 D728,314 S 5/2015 Carstensen et al.  
 D729,581 S 5/2015 Boroski  
 9,021,662 B1 5/2015 Jones  
 9,038,850 B1 5/2015 Wilson  
 D731,251 S 6/2015 Lane  
 D732,338 S 6/2015 Boroski  
 D732,343 S 6/2015 Romley  
 D732,347 S 6/2015 Katterheinrich et al.  
 D734,096 S 7/2015 George et al.  
 D740,073 S 10/2015 Zorovich et al.  
 D740,077 S 10/2015 Strepkoff  
 D740,618 S 10/2015 Knoll  
 D743,207 S \* 11/2015 Pendleton ..... D7/523  
 D747,929 S 1/2016 Arseneau et al.  
 D752,397 S \* 3/2016 Seiders ..... D7/608  
 D754,536 S 4/2016 Arriaga  
 D764,870 S 8/2016 Choi  
 D766,661 S 9/2016 Bodum  
 D773,250 S 12/2016 Miller  
 D779,285 S 2/2017 Seiders et al.  
 D779,891 S 2/2017 Seiders et al.  
 D779,892 S 2/2017 Seiders et al.  
 D780,527 S 3/2017 Salama  
 D780,530 S 3/2017 Seiders et al.  
 D780,531 S 3/2017 Seiders et al.  
 D780,532 S 3/2017 Seiders et al.  
 D780,533 S 3/2017 Seiders et al.  
 D784,137 S \* 4/2017 Cates ..... D9/500  
 D786,023 S 5/2017 Polack et al.  
 D786,025 S 5/2017 Seiders et al.  
 D787,893 S 5/2017 Seiders et al.  
 D793,172 S 8/2017 Medina  
 D799,906 S 10/2017 Seiders et al.  
 D801,753 S 11/2017 Piper et al.  
 D803,001 S 11/2017 Bodum  
 D804,556 S 12/2017 Harada et al.  
 D807,125 S 1/2018 Seiders et al.  
 D808,733 S 1/2018 Spivey et al.  
 2002/0066758 A1 6/2002 Fadal et al.  
 2004/0080930 A1 \* 4/2004 Winters ..... A47G 23/0309  
 362/101  
 2004/0187265 A1 9/2004 Ho  
 2005/0218109 A1 10/2005 Semersky et al.  
 2006/0175506 A1 8/2006 Lan  
 2007/0295738 A1 12/2007 Hussain  
 2008/0012368 A1 1/2008 Kent-Fawkes  
 2008/0023434 A1 1/2008 Takayama  
 2008/0101056 A1 5/2008 Bhavnani  
 2009/0008399 A1 1/2009 Mayled et al.  
 2009/0065469 A1 3/2009 McClellan et al.  
 2009/0200322 A1 8/2009 Hunter  
 2011/0204017 A1 8/2011 O'Sullivan  
 2011/0233219 A1 9/2011 Proskey

2012/0074155 A1 3/2012 Yeung  
 2012/0261408 A1 10/2012 White  
 2013/0098932 A1 4/2013 Hunt  
 2013/0186849 A1 7/2013 Iwashita  
 2015/0041480 A1 2/2015 Ramsey  
 2015/0108150 A1 4/2015 Garcia  
 2015/0108152 A1 4/2015 Franzen et al.  
 2015/0164256 A1 6/2015 Helton  
 2015/0291316 A1 10/2015 Fietz  
 2016/0318692 A1 11/2016 Wilson

## FOREIGN PATENT DOCUMENTS

CN 202891397U U 4/2013  
 CN 303263048 7/2015  
 EM 000564778-0001 8/2006  
 EM 001360911-0001 3/2013  
 EM 004374155-0003 9/2017  
 GB 3024951 7/2006  
 IN 250749-0001 8/2013  
 JP 1219538 10/2004  
 JP 1288694 12/2006  
 JP 1302290 6/2007  
 JP 1370441 10/2009  
 JP 1483261 11/2013  
 JP 1546179 S 3/2016  
 JP D2016-4373 11/2017  
 KR 300840850 2/2016  
 WO 0162614 A1 8/2001  
 WO 2006048119 A1 5/2006  
 WO 2011022857 A2 3/2011  
 WO 2012064184 A1 5/2012  
 WO 2013163725 A1 11/2013

## OTHER PUBLICATIONS

<https://youtu.be/rotGiNYY6ms> Snow Peak H860 Published on Nov. 13, 2013.\*  
<https://youtu.be/S9dSBijmxsM> Snow Peak 450ml Published on Jun. 5, 2015.\*  
<http://global.rakuten.com/en/store/mitsuyoshi/item/tw-137-snowpeak/> Snow Peak Detail Specs Published earlier than Jan. 6, 2014.\*  
 “Hooler the handheld cooler”, published on Apr. 12, 2014, retrieved from <https://web.archive.org/web/20140412062054/http://www.hoolercooler.com/> on Aug. 4, 2015.  
 United States District Court Western District of Texas Austin Division, “Complaint for Damages and Injunctive Relief,” *YETI Coolers, LLC v. Jennifer Leverage Bootz Evans d/b/a Bling and Burlap Buy In's and Blanks*, Case: 1:15-cv-00995, Document #1, filed Nov. 2, 2015, 128 pages.  
 United States District Court Western District of Texas Austin Division, “Order Dismissing Case,” *YETI Coolers, LLC v. Jennifer Leverage Bootz Evans d/b/a Bling and Burlap Buy In's and Blanks*, Case: 1:15-cv-00995-RP, Document #18, filed Apr. 18, 2016, 1 page.  
 United States District Court Western District of Texas Austin Division, “Complaint for Damages and Injunctive Relief,” *YETI Coolers, LLC v. RTIC Coolers, LLC*, Case: 1:16-cv-00264, Document #1, filed Mar. 2, 2016, 34 pages.  
 United States District Court Western District of Texas Austin Division, “Defendants’ Answer and Counterclaims to YETI’s First Amended Complaint for Damages and Injunctive Relief,” *YETI Coolers, LLC v. RTIC Coolers, LLC, RTIC Drinkware, LLC, RTIC Web Services, LLC, Corporate Support & Fulfillment, LLC, John Jacobsen, and James Jacobsen*, Case: 1:16-cv-00264-RP, Document #25, filed Jun. 13, 2016, 42 pages.  
 United States District Court Western District of Texas Austin Division, “YETI Coolers, LLC’s First Amended Complaint,” *YETI Coolers, LLC v. RTIC Coolers, LLC, RTIC Drinkware, LLC, RTIC Web Services, LLC, Corporate Support & Fulfillment, LLC, John Jacobsen, and James Jacobsen*, Case: 1:16-cv-00264-RP, Document #15, filed May 16, 2016, 110 pages.

(56)

## References Cited

## OTHER PUBLICATIONS

United States District Court Western District of Texas Austin Division, “Complaint for Damages and Injunctive Relief,” *YETI Coolers, LLC v. Tree Leaf Marketing, LLC, d/b/a Big Frig*, Case: 1:16-cv-00699, Document #1, filed Jun. 17, 2016, 33 pages.

United States District Court Western District of Texas Austin Division, “Complaint for Damages and Injunctive Relief,” *YETI Coolers, LLC v. Wal-Mart Stores, Inc.*, Case: 1:16-cv-00454, Document #1, filed Apr. 8, 2016, 29 pages.

United States District Court Western District of Texas Austin Division, “Joint Rule 26(f) Report and Discovery Plan,” *YETI Coolers, LLC v. Wal-Mart Stores, Inc. and Olympia Tools International, Inc.*, Case: 1:16-cv-00454-RP, Document #29, filed Jul. 28, 2016, 8 pages.

United States District Court Western District of Texas Austin Division, “Olympia Tools International, Inc.’s Answer to YETI Coolers, LLC’s First Amended Complaint,” *YETI Coolers, LLC v. Wal-Mart Stores, Inc. and Olympia Tools International, Inc.*, Case: 1:16-cv-00454-RP, Document #28, filed Jul. 14, 2016, 12 pages.

United States District Court Western District of Texas Austin Division, “Wal-Mart Stores, Inc.’s Answer to First Amended Complaint,” *YETI Coolers, LLC v. Wal-Mart Stores, Inc. and Olympia Tools International, Inc.*, Case: 1:16-cv-00454-RP, Document #22 filed Jun. 7, 2016, 13 pages.

United States District Court Western District of Texas Austin Division, “First Amended Complaint for Damages and Injunctive Relief,” *YETI Coolers, LLC v. Wal-Mart Stores, Inc. and Olympia Tools International, Inc.*, Case: 1:16-cv-00454-RP, Document #17, filed May 24, 2016, 26 pages.

United States District Court Western District of Texas Austin Division, “Complaint for Damages and Injunctive Relief,” *YETI Coolers, LLC v. Magnum Solace LLC*, Case: 1:16-cv-00663-RP, Document #1, filed Jun. 7, 2016, 24 pages.

United States District Court Western District of Texas Austin Division, “Joint Rule 26(f) Report and Discovery Plan,” *YETI Coolers, LLC v. RTIC Coolers, LLC, RTIC Drinkware, LLC, RTIC Web Services, LLC, Corporate Support & Fulfillment, LLC, John Jacobsen, and James Jacobsen*, Case: 1:16-cv-00264-RP, Document #26, filed Jun. 23, 2016, 7 pages.

United States District Court Western District of Texas Austin Division, “Defendant’s Rule 12(B)(6) Motion to Dismiss,” *YETI Coolers, LLC v. Magnum Solace LLC*, Case: 1:16-cv-00663-RP, Document #10, filed Aug. 5, 2016, 30 pages.

United States District Court Western District of Texas Austin Division, “YETI’s Opposition to Defendant’s Motion to Dismiss,” *YETI Coolers, LLC v. Magnum Solace LLC*, Case: 1:16-cv-00663-RP, Document #12, filed Aug. 19, 2016, 17 pages.

United States District Court Western District of Texas Austin Division, “Complaint for Damages and Injunctive Relief,” *YETI Coolers, LLC v. MyCrew, LLC, MyCrew Drinkware, LLC, and NNRiverLife, LLC*, Case: 1:16-cv-01008, Document #1, filed Aug. 26, 2016, 29 pages.

United States District Court Western District of Texas Austin Division, “Defendant’s Reply in Support of its Rule 12(B)(6) Motion to Dismiss,” *Yeti Coolers, LLC v. Magnum Solace LLC*, Case: 1:16-cv-00663-RP, Document #13, filed Aug. 29, 2016, 18 pages.

“Siskiyou Sports CCS48F Oklahoma Sooners Flame Can Cooler”, published on Jul. 9, 2014, retrieved from <<http://www.sears.com/siskiyou-sports-ccs48f-oklahoma-sooners-flame-can-cooler/p-SPM7376348303>> on Sep. 16, 2016.

“Mini Keg Coozies! Beer Inside Kegs!”, published by Chad Dukes on Dec. 18, 2013, retrieved from <<http://beerandpig.com/category/beer/page/2/>> on Sep. 16, 2016.

“Stainless Steel Can Cooler”, published on Apr. 6, 2014, retrieved from <<http://www.belpromo.com/nd/detail.php?c=34&p=KZSS001&s=mvp23g56>> on Sep. 22, 2016.

“Stanley Vacuum Insulated Container—Thermos bottle”, published on Feb. 24, 2012, retrieved from <<https://www.youtube.com/watch?v=UCMjqZiNU3o>> on Sep. 23, 2016.

United States District Court Western District of Texas Austin Division, “YETI’s Supplemental Brief in Opposition to Magnum’s Motion to Dismiss,” *YETI Coolers, LLC v. Magnum Solace LLC*, Case: 1:16-cv-00663-RP, Document #16, filed Sep. 27, 2016, 7 pages.

United States District Court Western District of Texas Austin Division, “Defendant’s Opposed Motion for a Protective Order and Stay of Discovery,” *YETI Coolers, LLC v. Magnum Solace LLC*, Case: 1:16-cv-00663-RP, Document #17, filed Oct. 3, 2016, 47 pages.

United States District Court Western District of Texas Austin Division, “YETI’s Opposition to Magnum’s Motion for a Protective Order and Stay of Discovery,” *YETI Coolers, LLC v. Magnum Solace LLC*, Case: 1:16-cv-00663-RP, Document #20, filed Oct. 11, 2016, 16 pages.

United States District Court Western District of Texas Austin Division, “Defendant’s Reply in Support of its Motion for a Protective Order and Stay of Discovery,” *YETI Coolers, LLC v. Magnum Solace LLC*, Case: 1:16-cv-00663-RP, Document #22, filed Oct. 18, 2016, 5 pages.

JPO Prior art Reference No. HJ20071600.

English translation of Office Action issued on Oct. 18, 2016 for JP Application No. 2016-004372, 3 pages.

English translation of Office Action issued on Oct. 18, 2016 for JP Application No. 2016-004373, 3 pages.

United States District Court Western District of Texas Austin Division, “Complaint,” *YETI Coolers, LLC v. Imagen Brands, LLC, d/b/a Crown Products, and Ebsco Industries, Inc.*, Case 1:16-cv-00578-RP, Document #1, filed May 16, 2016, 20 pages.

United States District Court Western District of Texas Austin Division, “Defendants’ Motion to Dismiss Pursant to Rule 12(b)(6),” *YETI Coolers, LLC v. Imagen Brands, LLC, d/b/a Crown Products, and Ebsco Industries, Inc.*, Case 1:16-cv-00578-RP, Document #8, filed Oct. 4, 2016, 27 pages.

United States District Court Western District of Texas Austin Division, “YETI Coolers LLC’s Answer to RTIC Drinkware, LLC’s, RTIC Web Services, LLC’s, Corporate Support & Fulfillment, LLC’s, John Jacobsen’s, and James Jacobsen’s Counterclaims,” *YETI Coolers, LLC v. RTIC Coolers, LLC, RTIC Drinkware, LLC, RTIC Web Services, LLC, Corporate Support & Fulfillment, LLC, John Jacobsen, and James Jacobsen*, Case: 1:16-cv-00264-RP, Document #31, filed Jul. 7, 2016, 7 pages.

United States District Court Western District of Texas Austin Division, “Defendants’ Answer to Plaintiffs Complaint and Affirmative Defenses,” *YETI Coolers, LLC v. MyCrew, LLC, MyCrew Drinkware, LLC and NNRiverLife, LLC*, Case 1:16-cv-01008-RP, Document #14, filed Nov. 29, 2016, 12 pages.

United States District Court Western District of Texas Austin Division, “Answer,” *YETI Coolers, LLC v. Tree Leaf Marketing, LLC, d/b/a Big Frig*, Case: 1 :16-cv-00699, Document #11, filed Oct. 21, 2016, 8 pages.

“YETI Press Release—Rambler Lowball”, published on Jul. 15, 2015, retrieved from <<http://yeti.com/press-releases/yeti-coolers-unveils-new-rambler-lowball>> on Mar. 14, 2017.

“Bekith Kids Water Mugs Stainless Steel Drinking Cups Double Wall Food Grade Durable Safe—Set of 2”, published date unknown, but for purposes of patent prosecution presumably a year prior to the filing date of the present application, retrieved from <[https://www.amazon.com/Bekith-Stainless-Drinking-Double-Durable/dp/B019JNKG7A/ref=pd\\_sim\\_79\\_5?encoding=UTF8&pvc=1&refRID=ZP054HJK7VYT6T39DSYN](https://www.amazon.com/Bekith-Stainless-Drinking-Double-Durable/dp/B019JNKG7A/ref=pd_sim_79_5?encoding=UTF8&pvc=1&refRID=ZP054HJK7VYT6T39DSYN)> on Mar. 14, 2017.

“Camp Cup”, published date unknown, but for purposes of patent prosecution presumably a year prior to the filing date of the present application, retrieved from <<https://www.miir.com/collections/camp/products/campcup>> on Mar. 13, 2017.

“Chinook Timberline Double-wall 12.5 Ounces Mug”, published date unknown, but for purposes of patent prosecution presumably a year prior to the filing date of the present application, retrieved from <[https://www.amazon.com/Chinook-Timberline-Double-wall-12-5-Ounces/dp/B0026IC08U/ref=pd\\_sim\\_79\\_3?encoding=UTF8&pvc=1&refRID=C586FMMXYCY44F2AZCJB](https://www.amazon.com/Chinook-Timberline-Double-wall-12-5-Ounces/dp/B0026IC08U/ref=pd_sim_79_3?encoding=UTF8&pvc=1&refRID=C586FMMXYCY44F2AZCJB)> on Mar. 14, 2017.

“Double Wall Copper Coffee Mug”, published date unknown but at least as early as Mar. 14, 2017, retrieved from <<http://www.>

(56)

## References Cited

## OTHER PUBLICATIONS

williamssonoma.com/products/1614242/?catalogId=27&sku=1614242&cm\_ven=Google\_PLA&cm\_cat=Shopping&cm\_pla=default&cm\_ite=default&kwid=productads-adid%5E45527543503-device%5Eclaid%5E83089551703-sku%5E1614242-adType%5EPLA&gclid=CIGFx4v9g9ECFYeEsw> on Mar. 14, 2017.

“Double Wall Stainless Steel Beer Mug”, published date unknown, but for purposes of patent prosecution presumably a year prior to the filing date of the present application, retrieved from <https://www.vat19.com/item/stainless-steel-beer-mug> on Mar. 14, 2017.

“Woodcraft 15oz Shop Mug Insulated Stainless Steel”, published date unknown, but for purposes of patent prosecution presumably a year prior to the filing date of the present application, retrieved from <https://www.amazon.com/Woodcraft-15oz-Insulated-Stainless-Steel/dp/B004TQGH0S/ref=pd\_sim\_79\_3?\_encoding=UTF8&psc=1&refRID=EYMWNJTCKACXEY8YGJMJ> on Mar. 14, 2017.

“YETI Press Release— Rambler Colster”, published on Jan. 8, 2015, retrieved from <http://yeti.com/press-releases/rambler-colster> on Mar. 27, 2017.

Alexander, Emmet, “Removable Bicycle Cup Holder by Bookman”, posted Mar. 23, 2014 online, retrieved May 6, 2016 from Internet, URL: <http://coolmensegear.com/removable-bicycle-cup-holder/>.

“Meyers California Rainbow Mug With Removable Wood Metal Handle”, retrieved from Internet on Jun. 6, 2016; URL: <https://www.pinterest.com/pin/148618856430252325/>.

“Tervis Tumbler Black 24 Oz. Handle”, retrieved from Internet Jun. 6, 2016; URL: <http://www.amazon.com/Tervis-Tumbler-Black-24oz-Handle/dp/B004VVBHORG>.

Purdum, Sandra, “Mug or Tumbler Metal Handles Spare Parts”, retrieved from Internet Jun. 6, 2016; URL: [https://www.etsy.com/...r-tumbler-metalhandles-spare-parts?ga\\_order=most\\_relevant&ga\\_search\\_type=all&ga\\_view\\_type=gallery&ga\\_search\\_query=metal%20handled%20mugs&ref=sr\\_gallery\\_8](https://www.etsy.com/...r-tumbler-metalhandles-spare-parts?ga_order=most_relevant&ga_search_type=all&ga_view_type=gallery&ga_search_query=metal%20handled%20mugs&ref=sr_gallery_8).

“Red Removable Handle 16-Oz. Travel Tumbler”, retrieved from Internet Jun. 6, 2016, URL: <http://www.zulily.com/p/red-removable-handle-16-oz-travel-tumbler-120715-7353259.html>.

Pictures of Great American Products Tumbler, published date unknown, but for purposes of patent prosecution presumably a year prior to the filing date of the present application.

Photographic image of YETI 30oz Rambler Tumbler, published date unknown, but for purposes of patent prosecution presumably a year prior to the filing date of the present application.

Second photographic image of YETI 30oz Rambler Tumbler, published date unknown, but for purposes of patent prosecution presumably a year prior to the filing date of the present application.

Promotional Items, Inc., “Stainless Steel 14oz. Deluxe Coffee Insulated Tumbler Lid”, retrieved from <http://www.promotional-items-inc.com/catalog/stainless\_steel\_18oz\_commuter\_coffee\_mug\_lid.html> on Aug. 27, 2015.

United States District Court Western District of Texas Austin Division, “Defendant Kelly Scoggins d/b/a King Engraving’s Memorandum in Support of Rule 12(b)(6) Motion to Dismiss and Motion to Take Judicial Notice,” *YETI Coolers, LLC v. JDS Industries, Inc., Lionel Landry Jr., d/b/a Accolades d/b/a Accolades Awards & Engraving, Creative and Fast LLC d/b/a Promotional Products San Antonio, Kelly Scoggins d/b/a King Engraving*, Case: 1:17-cv-00424-RP, Document #65, filed Aug. 11, 2017, 28 pages.

United States District Court Western District of Texas Austin Division, “Defendant Kelly Scoggins d/b/a King Engraving’s Reply in Support of Rule 12(b)(6) Motion to Dismiss,” *YETI Coolers, LLC v. JDS Industries, Inc., Lionel Landry Jr., d/b/a Accolades Awards & Engraving, Creative and Fast LLC d/b/a Promotional Products San Antonio, Kelly Scoggins d/b/a King Engraving*, Case: 1:17-cv-00424-RP, Document #75, filed Sep. 1, 2017, 26 pages.

The Product Farm, “BeerNStein Rocks Tumbler Lid—Blue”, retrieved from <http://store.theproductfarm.com/beerstein-rocks-tumbler-lid-blue/> on Aug. 27, 2015.

Hit Promotional Products, “24 Oz. Biggie Tumbler with Lid”, retrieved from <http://www.hitpromo.net/product/show/5853/24-oz-biggie-tumbler-with-lid> on Aug. 27, 2015.

The Alexon Group, “16 Oz. Stainless Steel Travel Mug with Slide Action Lid and Plastic Inner Liner”, retrieved from <https://alexongroup.com/16-oz-stainless-steel-travel-mug-with-slide-action-lid-and-plastic-inner-liner> on Aug. 27, 2015.

“New 16oz Insulated Coffee Travel Mug Stainless Steel Double Wall Thermos Tumbler”, retrieved from <http://www.ebay.com/itm/New-16oz-Insulated-COFFEE-TRAVEL-MUG-Stainless-Steel-Double-Wall-Thermos-Tumbler-/4171416296921> on Aug. 27, 2015.

“Stainless Steel Travel Mug with Slide Action Lid and Plastic Inner Liner—16oz.”, retrieved from <http://waterbottles.com/stainless-steel-travel-mug-with-slide-action-lid-and-plastic-inner-liner-16-oz> on Aug. 27, 2015.

Vat19, “16 oz. Dual Auto/USB Heated Mug”, retrieved from <https://www.vat19.com/item/16-oz-dual-auto-usb-heater-coffee-mug> on Aug. 27, 2015.

Timolino, “Signature Thermal Travel Mug Slide—Tab Lid”, retrieved from <http://timolino.com/products/signature-thermal-travel-mug-slide-tab-lid> on Aug. 27, 2015.

Eshine Industrial & Maoyuan International, “400ml Double Wall Stainless Steel Travel Mug with Sliding Drink Lid”, retrieved from <http://www.chinawaterbottle.com/product/400ml-double-wall-stainless-steel-travel-mug-with-sliding-drink-lid-77-520.html> on Aug. 27, 2015.

Photo USA Electronic Graphic Inc., “17fl oz Personalised Travel Mug (Plastic Insert and Metal Shell, Reverse Screw)”, retrieved from <http://www.meikeda.com/stainless-steel-mug/item/15-oz-personalised-travel-mug.html> on Aug. 27, 2015.

Promo Industrial Co., Limited, “16 Oz. Blue Bullet Travel Mug W/ Handle”, retrieved from <http://www.oempromo.com/Bottle-cup-and-mug/Mugs/index\_73.htm> on Aug. 27, 2015.

Gold Bond Inc., “16CT—16 oz Cafe Tumbler”, retrieved from <http://www.goldbondinc.com/16ct> on Aug. 27, 2015.

“YETI Rambler 20 and 30 oz”, published on Apr. 19, 2014, retrieved from <https://web.archive.org/web/20140419041951/http://yeticoolers.com/rambler-tumblers/> on Sep. 2, 2015.

Photographic image of YETI 20oz Rambler Tumbler, published date unknown, but prior to the filing date of the present application.

United States District Court Western District of Texas Austin Division, “Plaintiff YETI Coolers, LLC’s Original Complaint,” *YETI Coolers, LLC v. Ontel Products Corporation and World Pack USA, LLC*, Case: 1:17-cv-00091-RP, Document #1, filed Feb. 8, 2017, 65 pages.

United States District Court Western District of Texas Austin Division, “Defendants’ Answers and Defenses to Plaintiff’s Original Complaint,” *YETI Coolers, LLC v. Ontel Products Corporation and World Pack USA, LLC*, Case: 1:17-cv-00091-RP, Document #14, filed Feb. 21, 2017, 45 pages.

United States District Court Western District of Texas Austin Division, “Complaint for Damages and Injunctive Relief,” *YETI Coolers, LLC v. Tree Leaf Marketing, LLC, d/b/a Big Frig*, Case: 1:16-cv-00699-RP, Document #26, filed Apr. 7, 2017, 39 pages.

United States District Court Western District of Texas Austin Division, “Complaint,” *YETI Coolers, LLC v. Wadley Holdings, LLC d/b/a Meadowcraft, and Southern Sales & Marketing Group, Inc. d/b/a/ nICE*, Case 1:17-cv-00421, Document 1, filed May 5, 2017, 121 pages.

United States District Court Western District of Texas Austin Division, “Complaint,” *YETI Coolers, LLC v. JDS Industries, Inc., Lionel Landry Jr., d/b/a Accolades Awards & Engraving, Creative and Fast LLC d/b/a Promotional Products San Antonio, Kelly Scoggins d/b/a King Engraving, Jamey Z. Apps d/b/a Roberts Trophies, and Eagle Media, Inc.*, Case 1:17-cv-00424, Document 1, filed May 5, 2017, 62 pages.

United States District Court Western District of Texas Austin Division, “Complaint,” *YETI Coolers, LLC v. Glacier Coolers, LLC, and Tecomate Holdings, LLC*, Case 1:17-cv-00586, Document 1, filed Jun. 15, 2017, 161 pages.

(56)

## References Cited

## OTHER PUBLICATIONS

United States District Court Western District of Texas Austin Division, "Complaint," *YETI Coolers, LLC v. Gametime Sidekicks, LLC*, Case 1:17-cv-00413, Document 1, filed May 5, 2017, 107 pages.

United States District Court Western District of Texas Austin Division, "Complaint," *YETI Coolers, LLC v. Kodiak Coolers, LLC and Flexible Automation LLC*, Case 1:17-cv-00422, Document 1, filed May 5, 2017, 51 pages.

United States District Court Western District of Texas Austin Division, "Complaint," *YETI Coolers, LLC v. Gourmet Home Products, LLC*, Case: 1:17-cv-00533, Document #1, filed Jun. 2, 2017, 25 pages.

United States District Court Western District of Texas Austin Division, "Complaint," *YETI Coolers, LLC v. Godinger Silver Art, Ltd., Cathy's Concepts, Inc., Viatek Consumer Products Group, Inc.*, Case: 1:17-cv-00467, Document #1, filed May 16, 2017, 22 pages.

United States District Court Western District of Texas Austin Division, "Complaint," *YETI Coolers, LLC v. Bayou Ice Boxes, Inc.*, Case: 1:17-cv-00261, Document #1, filed Mar. 24, 2017, 41 pages.

United States District Court Western District of Texas Austin Division, "Complaint," *YETI Coolers, LLC v. Vickery Products, LLC d/b/a Axis Cups, f/d/b/a Frio Cups*, Case: 1:17-cv-00260, Document #1, filed Mar. 24, 2017, 52 pages.

United States District Court Western District of Texas Austin Division, "Complaint," *YETI Coolers, LLC v. Benner China and Glassware Florida, Inc.*, Case: 1:16-cv-00142-RP, Document #1, filed Feb. 16, 2016, 21 pages.

United States District Court Western District of Texas Austin Division, "Complaint," *YETI Coolers, LLC v. Blackbird Products Group, LLC, d/b/a Mammoth Coolers*, Case: 1:15-cv-01105, Document #1, filed Dec. 7, 2015, 266 pages.

United States District Court Western District of Texas Austin Division, "Defendant Blackbird Products Group, LLC's Answer and Affirmative Defenses to Plaintiff YETI Coolers, LLC's Complaint," *YETI Coolers, LLC v. Blackbird Products Group, LLC, d/b/a Mammoth Coolers*, Case: 1:15-cv-01105-SS, Document #13, filed Dec. 28, 2015, 11 pages.

United States District Court Western District of Texas Austin Division, "Order," *YETI Coolers, LLC v. Blackbird Products Group, LLC, d/b/a Mammoth Coolers*, Case: 1:15-cv-01105-RP, Document #26, filed Apr. 20, 2016, 1 page.

United States District Court Western District of Texas Austin Division, "Complaint," *YETI Coolers, LLC v. The Boelter companies, Inc., Boelter Brands, LLC and Boelter Beverage, LLC*, Case: 1:16-cv-00456, Document #1, filed Apr. 8, 2016, 20 pages.

United States District Court Western District of Texas Austin Division, "Defendants' Answer to Complaint," *YETI Coolers, LLC v. The Boelter Companies, Inc., Boelter Brands, LLC and Boelter Beverage, LLC*, Case: 1:16-cv-00456-RP, Document #21, filed Jun. 7, 2016, 9 pages.

United States District Court Western District of Texas Austin Division, "Consent Judgment," *YETI Coolers, LLC v. The Boelter Companies, Inc., Boelter Brands, LLC and Boelter Beverage, LLC*, Case: 1:16-cv-00456-RP, Document #25, filed Sep. 13, 2016, 3 pages.

United States District Court Western District of Texas Austin Division, "Complaint," *YETI Coolers, LLC v. Jennifer Leverne Bootz Evans d/b/a Bling and Burlap Buy In's and Blanks*, Case: 1:15-cv-00995, Document #1, filed Nov. 2, 2015, 128 pages.

United States District Court Western District of Texas Austin Division, "Order," *YETI Coolers, LLC v. Jennifer Leverne Bootz Evans d/b/a Bling and Burlap Buy In's and Blanks*, Case: 1:15-cv-00995-RP, Document #18, filed Apr. 18, 2016, 1 page.

United States District Court Western District of Texas Austin Division, "Defendant Kaiser Group Inc.'s Answer, Affirmative Defenses, and Counterclaims to Plaintiff YETI Coolers, LLC's Complaint," *YETI Coolers, LLC v. Kaiser Group Inc., d/b/a Thermo*

*Steel, d/b/a Vino2Go, d/b/a Brew2GO*, Case: 1:15-cv-00725-RP, Document #14, filed Oct. 13, 2015, 65 pages.

United States District Court Western District of Texas Austin Division, "Complaint," *YETI Coolers, LLC v. Great American Products, Ltd.*, Case: 1:15-cv-00686, Document #1, filed Aug. 6, 2015, 20 pages.

United States District Court Western District of Texas Austin Division, "Order," *YETI Coolers, LLC v. Great American Products, Ltd.*, Case: 1:15-cv-00686-RP, Document #25, filed Mar. 14, 2016, 1 page.

United States District Court Western District of Texas Austin Division, "Complaint," *YETI Coolers, LLC v. Home Depot U.S.A., Inc., Takeya USA Corporation*, Case: 1:17-cv-00342, Document #1, filed Apr. 12, 2017, 24 pages.

United States District Court Western District of Texas Austin Division, "Complaint," *YETI Coolers, LLC v. Ideastage Promotions, LLC, d/b/a Swag Brokers*, Case: 1:15-cv-00774, Document #1, filed Sep. 2, 2015, 22 pages.

United States District Court Western District of Texas Austin Division, "Order," *YETI Coolers, LLC v. Ideastage Promotions, LLC, d/b/a Swag Brokers*, Case: 1:15-cv-00774-RP, Document #19, filed Dec. 21, 2015, 1 page.

United States District Court Western District of Texas Austin Division, "Complaint," *YETI Coolers, LLC v. Kaiser Group Inc., d/b/a Thermo Steel, d/b/a Vino2GO, d/b/a Brew2Go*, Case: 1:15-cv-00725, Document #1, filed Aug. 19, 2015, 21 pages.

United States District Court Western District of Texas Austin Division, "Complaint," *YETI Coolers, LLC v. Kuer Outdoors, LLC*, Case: 1:16-cv-00631, Document #1, filed May 27, 2016, 89 pages.

United States District Court Western District of Texas Austin Division, "Complaint," *YETI Coolers, LLC v. Magnum Solace LLC*, Case: 1:16-cv-00663-RP, Document #1, filed Jun. 7, 2016, 24 pages.

United States District Court Western District of Texas Austin Division, "Defendant's Rule 12(B)(6) Motion to Dismiss For Failure to State a Claim," *YETI Coolers, LLC v. Magnum Solace LLC*, Case: 1:16-cv-00663-RP, Document #10, filed Aug. 5, 2016, 30 pages.

United States District Court Western District of Texas Austin Division, "Defendant's Answer," *YETI Coolers, LLC v. Magnum Solace LLC*, Case: 1:16-cv-00663-RP, Document #34, filed Apr. 13, 2017, 7 pages.

United States District Court Western District of Texas Austin Division, "Complaint," *YETI Coolers, LLC v. MyCrew, LLC, MyCrew Drinkware, LLC and NNRiverLife, LLC*, Case: 1:16-cv-01008, Document #1, filed Aug. 26, 2016, 29 pages.

United States District Court Western District of Texas Austin Division, "RTIC Drinkware's First Amended Complaint for Declaratory Judgment," *RTIC Drinkware, LLC v. YETI Coolers, LLC*, Case: 1:16-cv-00907-RP, Document #52, filed Nov. 14, 2016, 124 pages.

United States District Court Western District of Texas Austin Division, "YETI Coolers, LLC's Answer to RTIC Drinkware's First Amended Complaint," *RTIC Drinkware, LLC v. YETI Coolers, LLC*, Case: 1:16-cv-00907-RP, Document #58, filed Dec. 1, 2016, 15 pages.

United States District Court Western District of Texas Austin Division, "YETI Coolers, LLC's Answer to RTIC Drinkware LLC's Complaint," *RTIC Drinkware, LLC v. YETI Coolers, LLC*, Case: 1:16-cv-00907-RP, Document #35, filed Aug. 3, 2016, 27 pages.

United States District Court for the Southern District of Texas Houston Division, "RTIC Drinkware's Original Complaint for Declaratory Judgment, Damages, and Injunctive Relief," *RTIC Drinkware, LLC v. YETI Coolers, LLC*, Case: 4:16-cv-01201, Document #1, filed May 2, 2016, 58 pages.

United States District Court Western District of Texas Austin Division, "Order," *RTIC Drinkware, LLC v. YETI Coolers, LLC*, Case: 1:16-cv-00907-RP, Document #47, filed Oct. 13, 2016, 3 pages.

United States District Court Western District of Texas Austin Division, "Defendant RTIC Drinkware, LLC, RTIC Web Services, LLC, Corporate Support & Fulfillment, LLC, John Jacobsen, and James Jacobsen's Answer and Counterclaims to YETI's First Amended Complaint for Damages and Injunctive Relief," *YETI Coolers, LLC v. RTIC Coolers, LLC, RTIC Drinkware, LLC, RTIC Web Services,*

(56)

## References Cited

## OTHER PUBLICATIONS

*LLC, Corporate Support & Fulfillment, LLC; John Jacobsen; and James Jacobsen*, Case: 1:16-cv-00264-RP, Document #25, filed Jun. 13, 2016, 42 pages.

United States District Court Western District of Texas Austin Division, “Complaint,” *YETI Coolers, LLC v. RTIC Coolers, LLC*, Case: 1:16-cv-00264, Document #1, filed Mar. 2, 2016, 34 pages.

United States District Court Western District of Texas Austin Division, “First Amended Complaint,” *YETI Coolers, LLC v. Sam’s West, Inc., and Sam’s East, Inc.*, Case: 1:16-cv-00829-RP, Document #32, filed Jan. 9, 2017, 24 pages.

United States District Court Western District of Texas Austin Division, “Defendants Sam’s West, Inc. and Sam’s East, Inc.’s Answer to Complaint,” *YETI Coolers, LLC v. Sam’s West, Inc., and Sam’s East, Inc.*, Case: 1:16-cv-00829-RP, Document #16, filed Aug. 26, 2016, 11 pages.

United States District Court Western District of Texas Austin Division, “Complaint,” *YETI Coolers, LLC v. Sam’s West, Inc., and Sam’s East, Inc.*, Case: 1:16-cv-00829, Document #1, Jun. 30, 2016, 21 pages.

United States District Court Western District of Texas Austin Division, “First Amended Complaint,” *YETI Coolers, LLC v. Sic Products LLC, d/b/a Sic Cups, d/b/a Sic*, Case: 1:16-cv-00117-RP, Document #34, Nov. 21, 2016, 25 pages.

United States District Court Western District of Texas Austin Division, “Sic Products, LLC’s Answer, Affirmative Defenses, and Counterclaims to Plaintiff’s Amended Complaint,” *YETI Coolers, LLC v. Sic Products LLC, d/b/a Sic Cups, d/b/a Sic*, Case: 1:16-cv-00117-RP, Document #35, Dec. 5, 2016, 81 pages.

United States District Court Western District of Texas Austin Division, “Sic Products, LLC’s Answer, Affirmative Defenses, and Counterclaims to Plaintiff’s Complaint,” *YETI Coolers, LLC v. Sic Products LLC, d/b/a Sic Cups, d/b/a Sic*, Case: 1:16-cv-00117-RP, Document #14, Jun. 3, 2016, 38 pages.

United States District Court Western District of Texas Austin Division, “Complaint,” *YETI Coolers, LLC v. Sic Products LLC, d/b/a Sic Cups, d/b/a Sic*, Case: 1:16-cv-00117-RP, Document #1, Feb. 4, 2016, 23 pages.

United States District Court Western District of Texas Austin Division, “YETI Coolers, LLC’s Answer to Sic Products, LLC Counterclaims,” *YETI Coolers, LLC v. Sic Products LLC, d/b/a Sic Cups, d/b/a Sic*, Case: 1:16-cv-00117-RP, Document #21, Sep. 29, 2016, 15 pages.

United States District Court Western District of Texas Austin Division, “YETI Coolers, LLC’s Answer to SIC Products, LLC Counterclaims to YETI Coolers, LLC’s Amended Complaint,” *YETI Coolers, LLC v. Sic Products LLC, d/b/a Sic Cups, d/b/a Sic*, Case: 1:16-cv-00117-RP, Document #38, Dec. 19, 2016, 20 pages.

United States District Court Western District of Texas Austin Division, “Complaint,” *Yeti Coolers, LLC v. The Allen Company, d/b/a Allen Color Craft*, Case: 1:15-cv-00888-RP, Document #1, Oct. 6, 2015, 24 pages.

United States District Court Western District of Texas Austin Division, “Complaint,” *YETI Coolers, LLC v. Titan Custom Products, Inc.*, Case: 1:15-cv-00775, Document #1, Sep. 2, 2015, 22 pages.

United States District Court Western District of Texas Austin Division, “Answer,” *YETI Coolers, LLC v. Tree Leaf Marketing, LLC d/b/a Big Frig*, Case: 1:16-cv-00699-RP, Document #11, Oct. 21, 2016, 8 pages.

United States District Court Western District of Texas Austin Division, “Complaint,” *YETI Coolers, LLC v. Tree Leaf Marketing, LLC d/b/a Big Frig*, Case: 1:16-cv-00699, Document #1, Jun. 17, 2016, 33 pages.

United States District Court Western District of Texas Austin Division, “Complaint,” *YETI Coolers, LLC v. US Imprints, LLC, d/b/a GOimprints*, Case: 1:15-cv-00773, Document #1, Sep. 2, 2015, 22 pages.

United States District Court Western District of Texas Austin Division, “Order,” *YETI Coolers, LLC v. US Imprints, LLC, d/b/a GOimprints*, Case: 1:15-cv-00773-RP, Document #23, Apr. 25, 2016, 1 page.

United States District Court Western District of Texas Austin Division, “Veterinary Internet Company, LLC d/b/a VetInternetCo’s Answer to Plaintiff’s Complaint,” *YETI Coolers, LLC v. Polar Pad LLC, d/b/a Polar Drifter, d/b/a Polar Pad, and Veterinary Internet Company, LLC, d/b/a VetInternetCo*, Case: 1:16-cv-00677-RP, Document #11, Aug. 19, 2016, 12 pages.

United States District Court Western District of Texas Austin Division, “Complaint,” *YETI Coolers, LLC v. Polar Pad LLC, d/b/a Polar Pad Drifter, d/b/a Polar Pad, and Veterinary Internet Company, LLC, d/b/a VetInternetCo*, Case: 1:16-cv-00128, Document #1, Feb. 12, 2016, 24 pages.

United States District Court Western District of Texas Austin Division, “Complaint,” *YETI Coolers, LLC v. Polar Pad LLC, d/b/a Polar Pad Drifter, d/b/a Polar Pad, and Veterinary Internet Company, LLC, d/b/a VetInternetCo*, Case: 1:16-cv-00677, Document #1, Jun. 10, 2016, 25 pages.

United States District Court Western District of Texas Austin Division, “Order,” *YETI Coolers, LLC v. Polar Pad LLC, d/b/a Polar Pad Drifter, d/b/a Polar Pad, and Veterinary Internet Company, LLC, d/b/a VetInternetCo*, Case: 1:16-cv-00128-RP, Document #17, Jun. 17, 2016, 1 page.

United States District Court Western District of Texas Austin Division, “[Proposed] Order Granting Stipulated Motion to Dismiss Defendant Polar Pad, LLC, Without Prejudice, Pursuant to Fed. R. Civ. P. 21,” *YETI Coolers, LLC v. Polar Pad LLC, d/b/a Polar Pad Drifter, d/b/a Polar Pad, and Veterinary Internet Company, LLC, d/b/a VetInternetCo*, Case: 1:16-cv-00677-RP, Document #14, Sep. 15, 2016, 1 page.

United States District Court Western District of Texas Austin Division, “Complaint,” *YETI Coolers, LLC v. Vickery Products, LLC d/b/a Axis Cups, f/d/b/a Frio Cups*, Case: 1:17-cv-00260, Document #1, Mar. 24, 2017, 52 pages.

United States District Court Western District of Texas Austin Division, “First Amended Complaint,” *YETI Coolers, LLC v. Wal-Mart Stores, Inc. and Olympia Tools International, Inc.*, Case: 1:16-cv-00454-RP, Document #17, May 24, 2016, 26 pages.

United States District Court Western District of Texas Austin Division, “Complaint,” *YETI Coolers, LLC v. Wal-Mart Stores, Inc.*, Case: 1:16-cv-00454, Document #1, Apr. 8, 2016, 29 pages.

United States District Court Western District of Texas Austin Division, “Olympia Tools International, Inc.’s Answer to YETI Coolers, LLC’s First Amended Complaint,” *YETI Coolers, LLC v. Wal-Mart Stores, Inc. and Olympia Tools International, Inc.*, Case: 1:16-cv-00454-RP, Document #28, Jul. 14, 2016, 12 pages.

United States District Court Western District of Texas Austin Division, “Wal-Mart Stores, Inc.’s Answer to First Amended Complaint,” *YETI Coolers, LLC v. Wal-Mart Stores, Inc. and Olympia Tools International, Inc.*, Case: 1:16-cv-00454-RP, Document #22, Jun. 7, 2016, 13 pages.

United States District Court Western District of Texas Austin Division, “Plaintiffs’ Complaint for Damages and Injunctive Relief,” *YETI Coolers, LLC v. Seth Stevens d/b/a SDS Marketing d/b/a Eskimo Coolers, Panther Group LLC d/b/a Eskimo Coolers, Panther Group Sales, LLC d/b/a Eskimo Coolers, and Silver Fox Sales, LLC*, Case 1:17-cv-00423, Document 1, filed May 5, 2017, 77 pages.

United States District Court Western District of Texas Austin Division, “Second Amended Complaint,” *YETI Coolers, LLC v. Sam’s West, Inc., and Sam’s East, Inc., and CY Top, Ltd.*, Case: 1:16-cv-00829-RP, Document #51, filed Sep. 22, 2017, 49 pages.

United States District Court Western District of Texas Austin Division, “Complaint,” *YETI Coolers, LLC v. Bonanza.com, Inc.*, Case: 1:17-cv-00935, Document #1, filed Sep. 28, 2017, 142 pages.

United States District Court Western District of Texas Austin Division, “Complaint,” *YETI Coolers, LLC v. Alibaba Group Holding Limited, Alibaba (China) Technology Co., Ltd., Alibaba.com Hong Kong Limited, Alibaba.com Singapore E-Commerce Private*



(56)

## References Cited

## OTHER PUBLICATIONS

Limited, Hangzhou Alibaba Advertising Co. Ltd., and Huizhou Dashu Trading Co., Ltd, case: 1:17-cv-00936, Document #1, filed Sep. 28, 2017, 272 pages.

United States District Court Western District of Texas Austin Division, “Complaint,” *YETI Coolers, LLC v. ContextLogic, Inc. d/b/a Wish.com*, Case: 1:17-cv-00937, Document #1, filed Sep. 28, 2017, 238 pages.

United States District Court Western District of Texas Austin Division, “Complaint,” *YETI Coolers, LLC v. Dunhuang Group, SZ Flowerfairy Technology Co., Ltd., Tan Er Pa Technology Co., Ltd., Shenzhen Great Electronic Technology Co., Ltd., and Huagong Trading Co.*, Case: 1:17-cv-00938, Document #1, filed Sep. 28, 2017, 272 pages.

United States International Trade Commission, “Respondents Alibaba, Dunhuang Group, and Bonanza.com’s Notice of Prior Art,” In the Matter of: Certain Insulated Beverage Containers, Components, Labels, and Packaging Materials Thereof, Inv. No. 337-TA-1084, filed Feb. 9, 2018, 8 pages.

United States International Trade Commission, “Respondent Contextlogic, Inc.’s Notice of Prior Art,” In the Matter of: Certain Insulated Beverage Containers, Components, Labels, and Packaging Materials Thereof, Inv. No. 337-TA-1084, filed Feb. 9, 2018, 15 pages.

United States International Trade Commission, “The Commission Investigative Staffs Notice of Prior Art” In the Matter of: Certain Insulated Beverage Containers, Components, Labels, and Packaging Materials Thereof, Inv. No. 337-TA-1084, filed Feb. 9, 2018, 4 pages.

YETI Rambler Colster Beverage Holder [online], [retrieved Feb. 1, 2018] Retrieved from the Internet, URL: <<https://kevinscatalog.com/yeti-colster-beverage-holder-44/1064>>, 4 color pages, published date unknown, but for purposes of patent prosecution prior to the filing date of the present application.

Firm Grip: The 15 Coolest Beer Koozies [online], [retrieved Mar. 16, 2018], Retrieved from the Internet, URL: <<<http://hiconsumption.com/2014/01/firm-grip-the-15-coolest-beer-koozies/>>>, 10 color pages, published date unknown, but for purposes of patent prosecution prior to the filing date of the present application.

Thermos Stainless Steel Can Insulator [online], [retrieved Mar. 19, 2018], Retrieved from the Internet, URL: <<<https://www.youtube.com/watch?v=p8pV3BhAOiU>>>, 1 color page, published on Oct. 8, 2008.

Custom Ventura Travel Tumbler—Promotional Travel Mugs at 4imprint [online], [retrieved Mar. 19, 2018], Retrieved from the Internet, URL: <<<https://www.youtube.com/watch?v=e8okCU8DaP4>>>, 1 color page, published on Dec. 19, 2014.

15 Oz. Stainless Steel Double Wall Tumbler [online], [retrieved Mar. 19, 2018], Retrieved from the Internet, URL: <<<https://www.4allpromos.com/product/15-oz-stainless-steel-double-wall-tumbler>>>, 5 color pages, published date unknown, but for purposes of patent prosecution prior to the filing date of the present application.

Personalized Color Touch Stainless Tumbler—Promotional Travel Mugs by 4imprint [online], [retrieved Mar. 19, 2018], Retrieved from the Internet, URL: <<<https://www.youtube.com/watch?v=v7TLpRMCFiw>>>, 1 color page, published on Dec. 18, 2014.

15 oz. Stainless Deal Tumbler—Custom Promotional Coffee Tumblers from InkHead.com [online], [retrieved Mar. 19, 2018], Retrieved from the Internet, URL: <<<https://www.youtube.com/watch?v=vywesydY6xs>>>, 1 color page, published on Jul. 11, 2011.

Reflections Metallic Tumbler [online], [retrieved Mar. 19, 2018], Retrieved from the Internet, URL: <<<https://www.youtube.com/watch?v=cNT6h4cKfAs>>>, 1 color page, published on Jan. 9, 2014.

Swag Standard | Seaside 15-oz. Travel Mug [online], [retrieved Mar. 19, 2018], Retrieved from the Internet, URL: <[https://www.youtube.com/watch?v=cb58zm\\_PSOo](https://www.youtube.com/watch?v=cb58zm_PSOo)>, 1 color page, published on Mar. 3, 2015.

Logo Coffee Mugs—Stainless Steel Tumbler w/ Color Trim—MARCO [online], [retrieved Mar. 19, 2018], Retrieved from the

Internet, URL: < <https://www.youtube.com/watch?v=2k72dgsWJy8>>, 1 color page, published on Apr. 21, 2014.

Promotional Cups—14 oz. Ventura Double Wall Travel Tumblers—MARCO [online], [retrieved Mar. 19, 2018], Retrieved from the Internet, URL: <<<https://www.youtube.com/watch?v=QAkt5III5J4>>>, 1 color page, published on May 9, 2014.

SnapSeal™ Byron Travel Mug [online], [retrieved Mar. 19, 2018], Retrieved from the Internet, URL: <<<https://www.youtube.com/watch?v=dL1ldCzILD0>>>, 1 color page, published on Feb. 13, 2014.

Review of the Starbucks “Clip and Sip” Travel Coffee Mug [online], [retrieved Mar. 19, 2018], Retrieved from the Internet, URL: <<<https://www.youtube.com/watch?v=6DfWKhLe1b4>>>, 1 color page, published on Nov. 13, 2014.

Stainless Steel Curvy Tumbler (16 Oz.)—Q11830 [online], [retrieved Mar. 19, 2018], Retrieved from the Internet, URL: <<<https://www.youtube.com/watch?v=8UCmHszwMLY>>>, 1 color page, published on Jul. 8, 2012.

Best Tumbler Thermos Mug for caffe latte or messy drink: Starbucks Reserve Stainless Steel [online], [retrieved Mar. 19, 2018], Retrieved from the Internet, URL: <<https://www.youtube.com/watch?v=h2IWzV6wVbk>>>, 1 color page, published on Oct. 22, 2014.

CamelBak Forge Travel Mugs | Crew Review [online], [retrieved Mar. 19, 2018], Retrieved from the Internet, URL: <<<https://www.youtube.com/watch?v=XuR0u30EndY>>>, 1 color page, published on Jul. 23, 2015.

Autoseal® West Loop Stainless Travel Mug with Easy-Clean Lid [online], [retrieved Mar. 19, 2018], Retrieved from the Internet, URL: <<<https://www.youtube.com/watch?v=bClubrvh2zs>>>, 1 color page, published on Feb. 6, 2014.

Stainless King Food Jar Youtube.wmv [online], [retrieved Mar. 19, 2018], Retrieved from the Internet, URL: <<[https://www.youtube.com/watch?v=RGHArOT\\_rEs](https://www.youtube.com/watch?v=RGHArOT_rEs)>>, 1 color page, published on Oct. 20, 2010.

Thermos Food Jar Review [online], [retrieved Mar. 19, 2018], Retrieved from the Internet, URL: <<<https://www.youtube.com/watch?v=3esAaqKc4po>>>, 1 color page, published on Jan. 26, 2013.

Thermos Infant [online], [retrieved Mar. 19, 2018], Retrieved from the Internet, URL: <<<https://www.youtube.com/watch?v=vUf2MPVSODM>>>, 1 color page, published on May 14, 2013.

Promo Travel Mugs—16 oz. Double Wall Stainless Steel Tumbler—MARCO [online], [retrieved Mar. 19, 2018], Retrieved from the Internet, URL: <<<https://www.youtube.com/watch?v=sanCJS5rtig>>>, 1 color page, published on Nov. 21, 2012.

Contigo Autoseal Stainless Steel Vacuum Insulated Tumbler Travel Mug Full Review [online], [retrieved Mar. 19, 2018], Retrieved from the Internet, URL: <<<https://www.youtube.com/watch?v=O2aiMQmjIFg>>>, 1 color page, published on Sep. 16, 2012.

ChillingTheMost.com Houston Boat Show 2014 [online], [retrieved Mar. 19, 2018], Retrieved from the Internet, URL: <<<https://www.youtube.com/watch?v=1vUQ43gVL38>>>, 1 color page, published on Aug. 29, 2014.

2012 Tampa Boat Show—Chilling the Most [online], [retrieved Mar. 19, 2018], Retrieved from the Internet, URL: <<<https://www.youtube.com/watch?v=IWgIdQcYz48>>>, 1 color page, published on Oct. 1, 2012.

Contigo Autoseal Spill-Proof Travel Mug Review and Giveaway [online], [retrieved Mar. 19, 2018], Retrieved from the Internet, URL: <<<https://www.makeuseof.com/tag/contigo-autoseal-spill-proof-travel-mug-review-and-giveaway/>>>, 6 color pages, published on Dec. 28, 2010.

Klean Kanteen 27oz Stainless Steel Bottle w/ Built NY 27oz Bottle Tote [online], [retrieved Mar. 19, 2018], Retrieved from the Internet, URL: <<<https://www.youtube.com/watch?v=R411PhqF6Tc>>>, 1 color page, published on Sep. 3, 2009.

Teavana Contour Tumbler vs Thermos Review [online], [retrieved Mar. 20, 2018], Retrieved from the Internet, URL: <<<https://www.youtube.com/watch?v=O55uWyKiWRM>>>, 1 color page, published on Feb. 11, 2013.

(56)

**References Cited**

## OTHER PUBLICATIONS

KeepCup—Inside Business [online], [retrieved Mar. 20, 2018], Retrieved from the Internet, URL: <<<https://www.youtube.com/watch?v=hJ5xUpC8VXQ>>>, 1 color page, published on Feb. 14, 2012.

William & the Ordinary Hero Coffee Tumbler [online], [retrieved Mar. 20, 2018], Retrieved from the Internet, URL: <<[https://www.youtube.com/watch?v=CwpT\\_KePTdk](https://www.youtube.com/watch?v=CwpT_KePTdk)>>, 1 color page, published on Jun. 10, 2011.

Persona Vacuum Tumbler (14 Oz.)—Q49231 [online], [retrieved Mar. 20, 2018], Retrieved from the Internet, URL: <<<https://www.youtube.com/watch?v=XUoRO3l-uhA>>>, 1 color page, published on Dec. 10, 2012.

Product Review: Klean Kanteen Wide Insulated [online], [retrieved Mar. 20, 2018], Retrieved from the Internet, URL: <<<https://www.apartmenttherapy.com/product-review-klean-kanteen-w-105234>>>, 4 color pages, published on Jan. 3, 2010.

GSI Fairshare Collapsible Cup [online], [retrieved Mar. 20, 2018], Retrieved from the Internet, URL: <<<https://www.youtube.com/watch?v=GqWiv4k8Ddc>>>, 1 color page, published on Jan. 14, 2013.

How to Clean the JOEmo Reusable Travel Mug Lid [online], [retrieved Mar. 20, 2018], Retrieved from the Internet, URL: <<<https://www.youtube.com/watch?v=O39NGhuQDms>>>, 1 color page, published on Sep. 12, 2011.

SFS DM400 Photo Tumbler Printing Video [online], [retrieved Mar. 22, 2018], Retrieved from the Internet, URL: <<<https://www.youtube.com/watch?v=d9Xyb9StdRY>>>, 1 color page, published on Jul. 1, 2012.

Starbucks Stainless Steel Travel Press—Rose Gold 10 fl oz (011028166) Best Buy Deals | Bestseller [online], [retrieved Mar. 22, 2018], Retrieved from the Internet, URL: <<<https://www.youtube.com/watch?v=-dhoL4ohTOU>>>, 1 color page, published on Oct. 15, 2014.

Custom Full-Wrap Travel Tumbler—Promotional Tumblers by 4imprint [online], [retrieved Mar. 22, 2018], Retrieved from the Internet,

URL: <<<https://www.youtube.com/watch?v=A8sveo1261s>>>, 1 color page, published on Nov. 12, 2014.

15 oz Maui Fusion Tumbler—Custom Travel Coffee Tumblers from InkHead.com [online], [retrieved Mar. 22, 2018], Retrieved from the Internet, URL: <<<https://www.youtube.com/watch?v=MrQAJR6skr8>>>, 1 color page, published on Apr. 12, 2013.

Thermos Vacuum Insulated 14 oz Travel Tumbler with Lever45;Operated Lid [online], [retrieved Apr. 4, 2018], Retrieved from the Internet, URL: <[https://www.amazon.com/Thermos-Insulated-Stainless-Operated-Tumbler/dp/B00JM0KAZO/ref=sr\\_1\\_fkmr0\\_1?ie=UTF8&qid=1522868078&sr=8-1-fkmr0&keywords=thermos+vacuum+insulated+14+oz+travel+tumbler+with+lever+45%3B+operated+lid](https://www.amazon.com/Thermos-Insulated-Stainless-Operated-Tumbler/dp/B00JM0KAZO/ref=sr_1_fkmr0_1?ie=UTF8&qid=1522868078&sr=8-1-fkmr0&keywords=thermos+vacuum+insulated+14+oz+travel+tumbler+with+lever+45%3B+operated+lid)>, 8 color pages, published date unknown, but for purposes of patent prosecution prior to the filing date of the present application.

Thermos Stainless Steel 14 Ounce Travel Tumbler with 360 Degree Lid [online], [retrieved Apr. 4, 2018], Retrieved from the Internet, URL: <<[https://www.amazon.com/Thermos-Stainless-Travel-Tumbler-Degree/dp/B000FOMQ4O/ref=sr\\_1\\_1?ie=UTF8&qid=1522868265&sr=8-1&keywords=thermos+stainless+steel+14+ounce+travel+tumbler+with+360+degree+lid](https://www.amazon.com/Thermos-Stainless-Travel-Tumbler-Degree/dp/B000FOMQ4O/ref=sr_1_1?ie=UTF8&qid=1522868265&sr=8-1&keywords=thermos+stainless+steel+14+ounce+travel+tumbler+with+360+degree+lid)>>, 7 color pages, published date unknown, but for purposes of patent prosecution prior to the filing date of the present application.

Maui Fusion Travel Mug—14 oz. [online], [retrieved Apr. 4, 2018], Retrieved from the Internet, URL: <<<https://www.4imprint.com/product/105878/maui-fusion-travel-mug-14-oz>>>, 2 color pages, published date unknown, but for purposes of patent prosecution prior to the filing date of the present application.

Thermos Funtainer 10 oz Food Jar [online], [retrieved Aug. 6, 2018], Retrieved from the Internet, URL: <[https://www.amazon.com/Thermos-Funtainer-Ounce-Food-Blue/dp/B00CBFAE6W?ref=ast\\_pc\\_rc](https://www.amazon.com/Thermos-Funtainer-Ounce-Food-Blue/dp/B00CBFAE6W?ref=ast_pc_rc)>; 10 color pages, published Mar. 20, 2013.

Thermos Funtainer 16 oz Food Jar [online], [retrieved Aug. 6, 2018], Retrieved from the Internet, URL: <<[https://www.amazon.com/Thermos-Funtainer-Ounce-Food-Charcoal/dp/B01ATVK4KK?ref=ast\\_p\\_pc\\_rc&th-1](https://www.amazon.com/Thermos-Funtainer-Ounce-Food-Charcoal/dp/B01ATVK4KK?ref=ast_p_pc_rc&th-1)>>; 7 color pages, published date Jan. 19, 2016.

\* cited by examiner

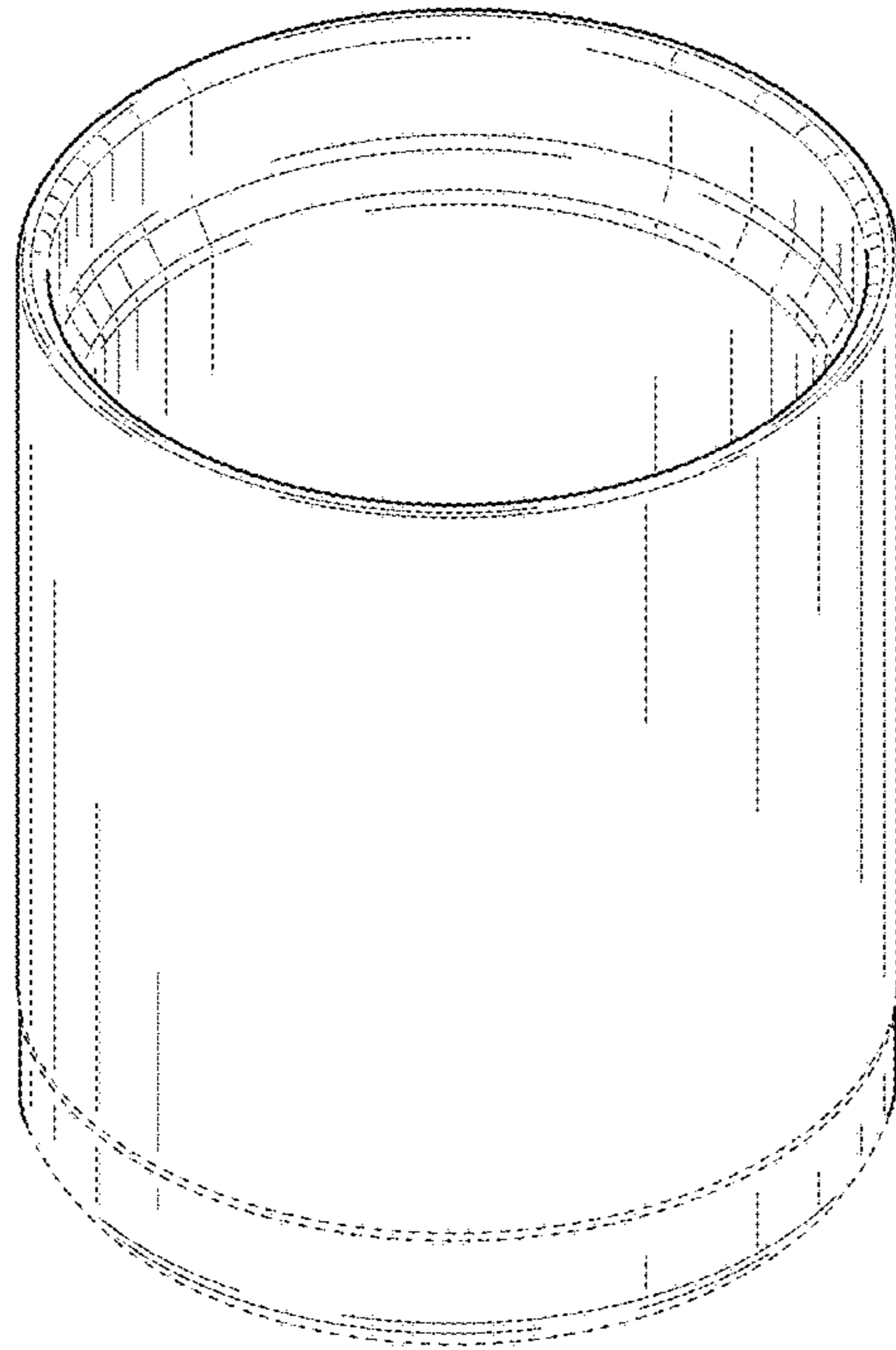


FIG. 1

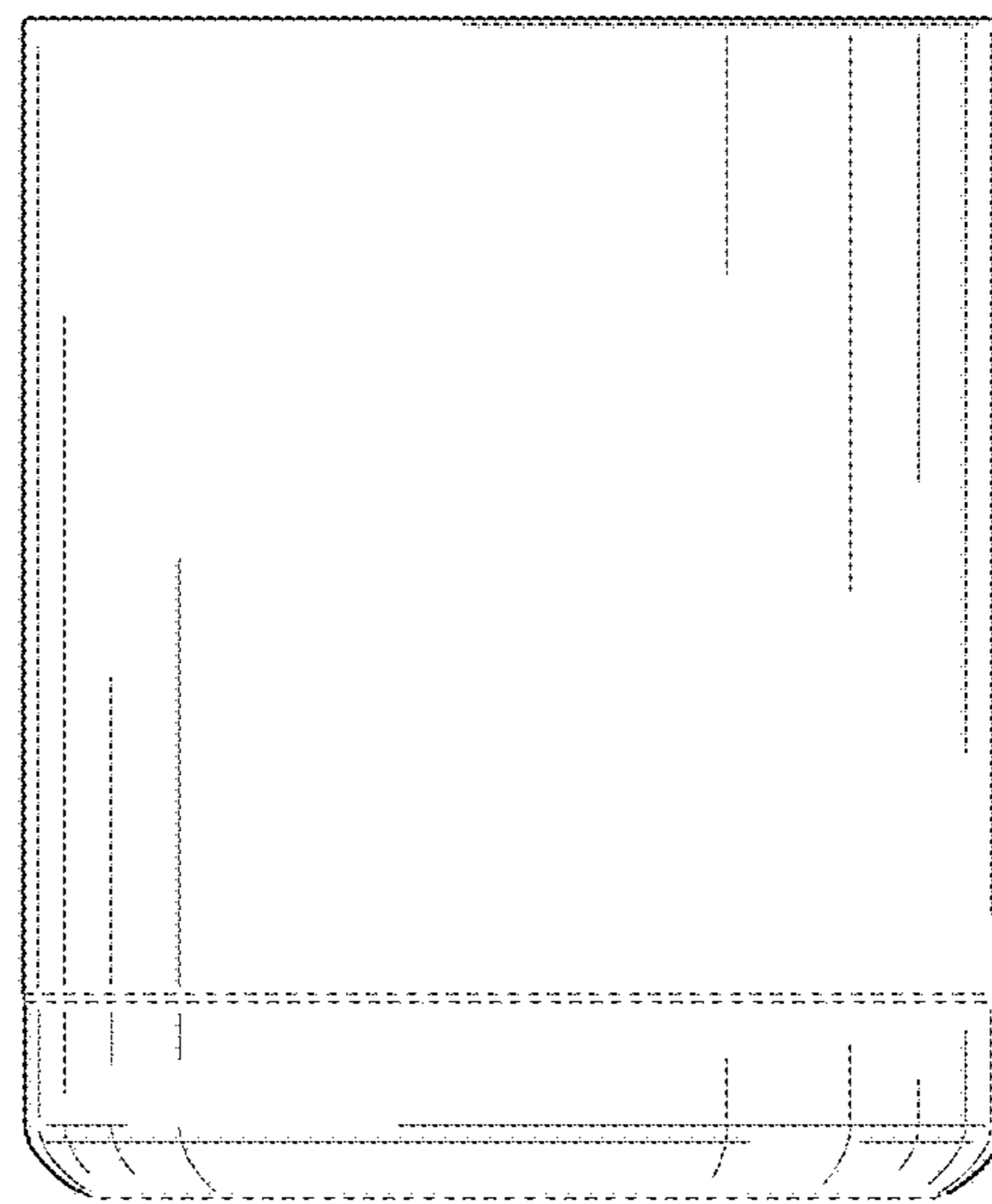


FIG. 2

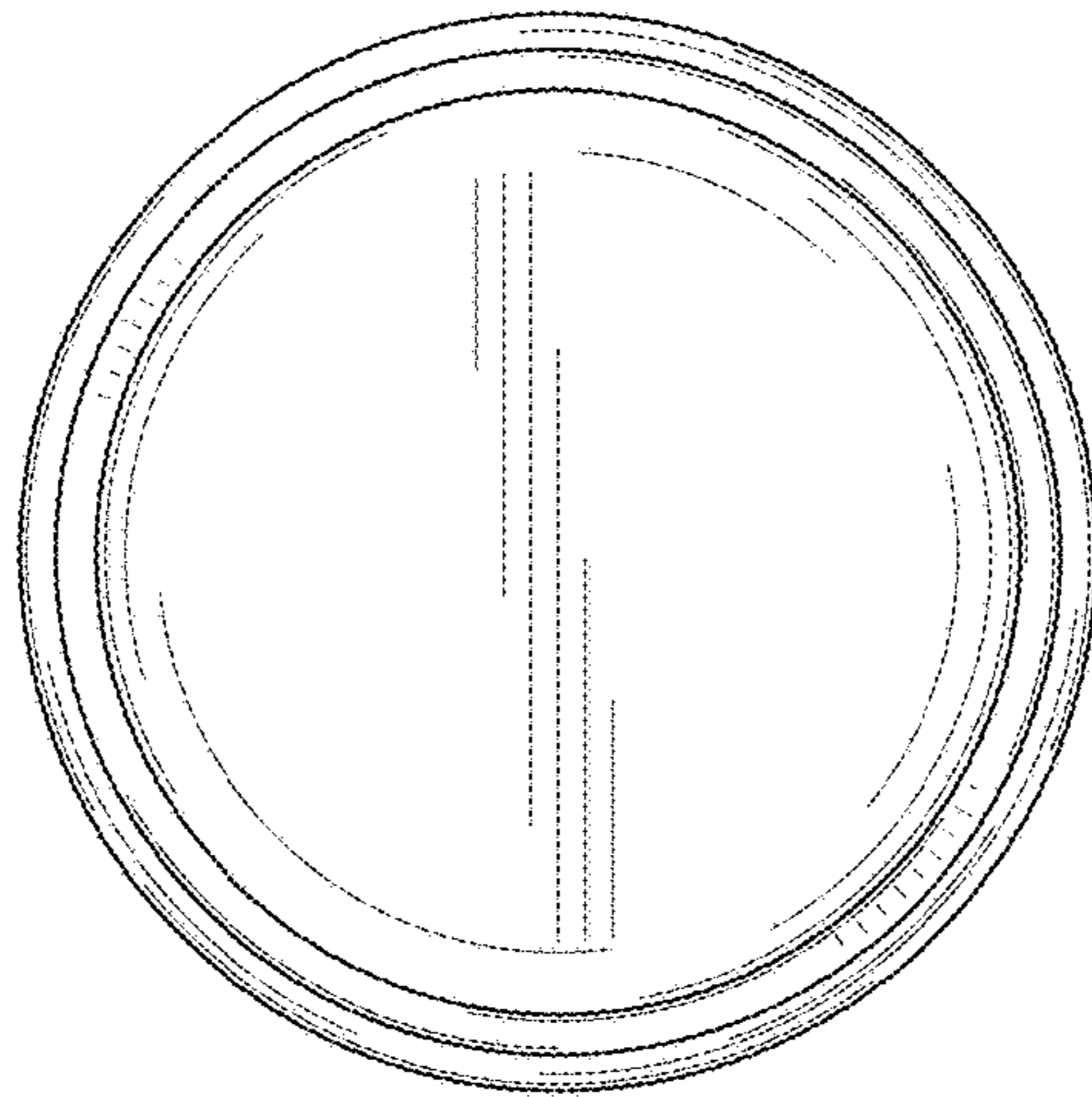


FIG. 3

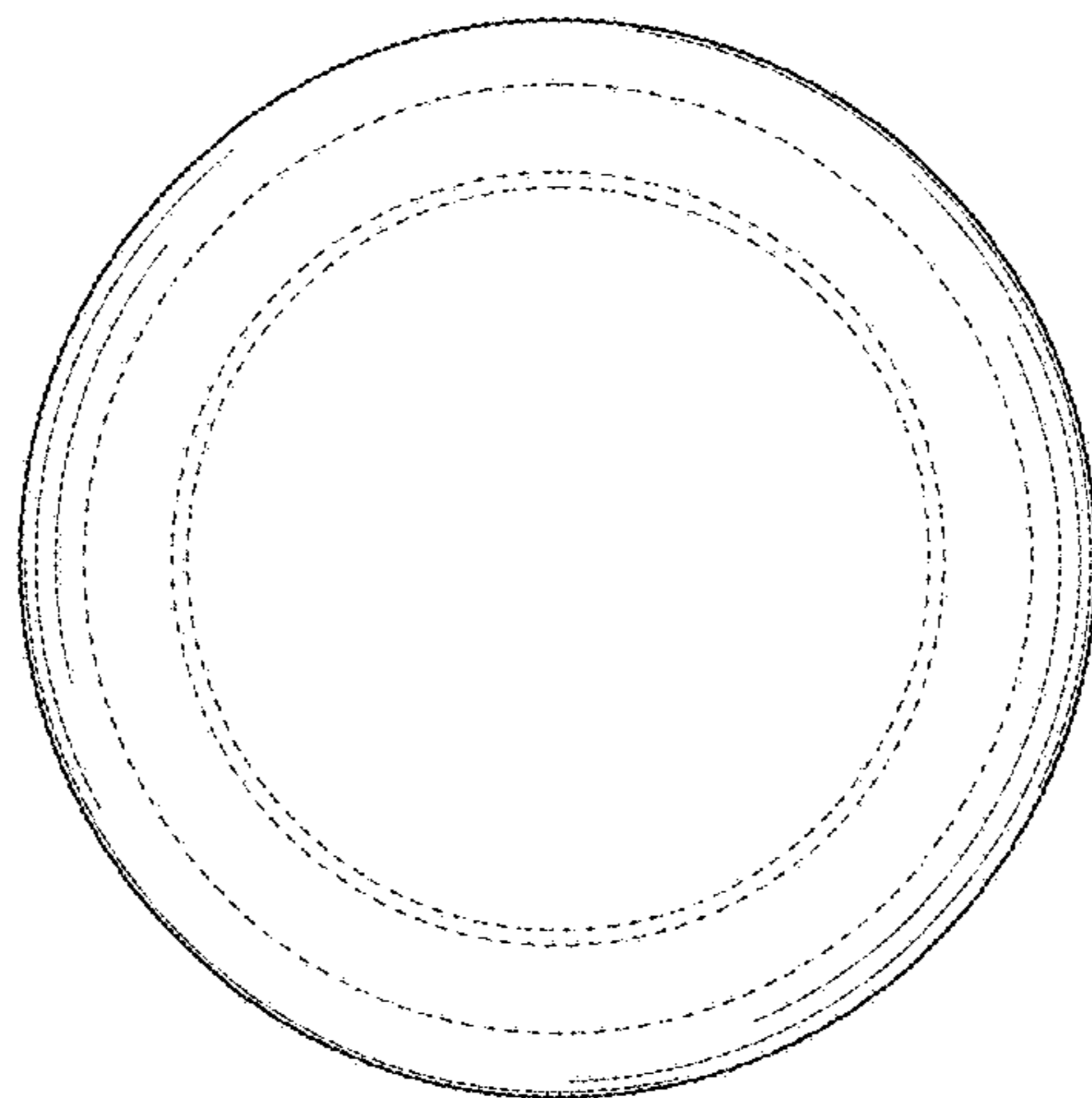


FIG. 4