



US00D839672S

(12) **United States Design Patent**
Naber

(10) **Patent No.:** **US D839,672 S**

(45) **Date of Patent:** **** Feb. 5, 2019**

(54) **DOUBLE WALL CUP**

(71) Applicant: **Naber Plastics B.V.**, Waalwijk (NL)

(72) Inventor: **Steffi Anna Elisabeth Naber**, Waalwijk (NL)

(73) Assignee: **Naber Plastics B.V.**, Waalwijk (NL)

(**) Term: **15 Years**

(21) Appl. No.: **29/578,429**

(22) Filed: **Sep. 21, 2016**

(30) **Foreign Application Priority Data**

Apr. 1, 2016 (EM) 003052596-0001

(51) **LOC (11) Cl.** **07-01**

(52) **U.S. Cl.**
USPC **D7/509**

(58) **Field of Classification Search**
USPC D7/500, 509, 523, 532, 549, 619.1, 630;
D26/9, 22; D11/143, 152
CPC A47G 19/02; A47G 19/22; A47G 19/2227;
B65D 1/265
See application file for complete search history.

(56) **References Cited**

U.S. PATENT DOCUMENTS

3,394,562 A * 7/1968 Coleman F25D 3/00
62/457.3
D289,484 S * 4/1987 Forquer D7/532

D381,869 S * 8/1997 Jeppesen D7/523
D581,739 S * 12/2008 Bodum D7/509
D631,294 S * 1/2011 Ross D7/507
D698,200 S * 1/2014 Lauwagie D7/509
D788,530 S * 6/2017 Kestenbaum D7/509

* cited by examiner

Primary Examiner — Daniel D Bui

Assistant Examiner — Andrew Kerr

(74) *Attorney, Agent, or Firm* — Troutman Sanders LLP;
Ryan A. Schneider

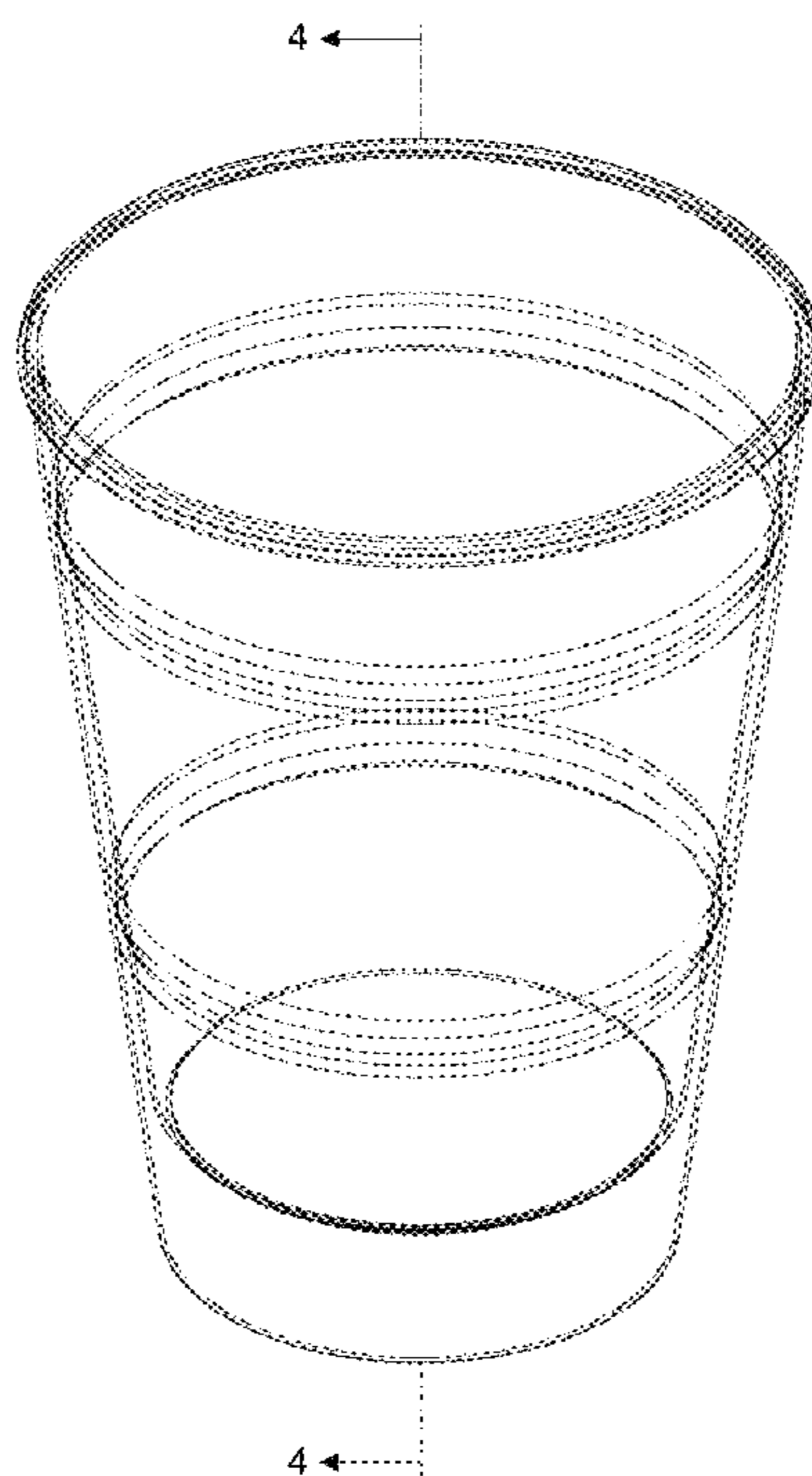
(57) **CLAIM**

The ornamental design for a double wall cup, as shown and described.

DESCRIPTION

FIG. 1 is a front perspective view of a double wall cup, consisting of an inner and outer cup, showing my new design;
FIG. 2 is a second perspective view thereof;
FIG. 3 is a top plan view of the outer cup of FIG. 1;
FIG. 4 is a cross-sectional view thereof taken along 4-4 of FIG. 1;
FIG. 5 is an expanded view of area 5 of FIG. 4;
FIG. 6 is a side elevation view of FIG. 3; and,
FIG. 7 is a side elevation view of the inner cup of FIG. 1.

1 Claim, 6 Drawing Sheets



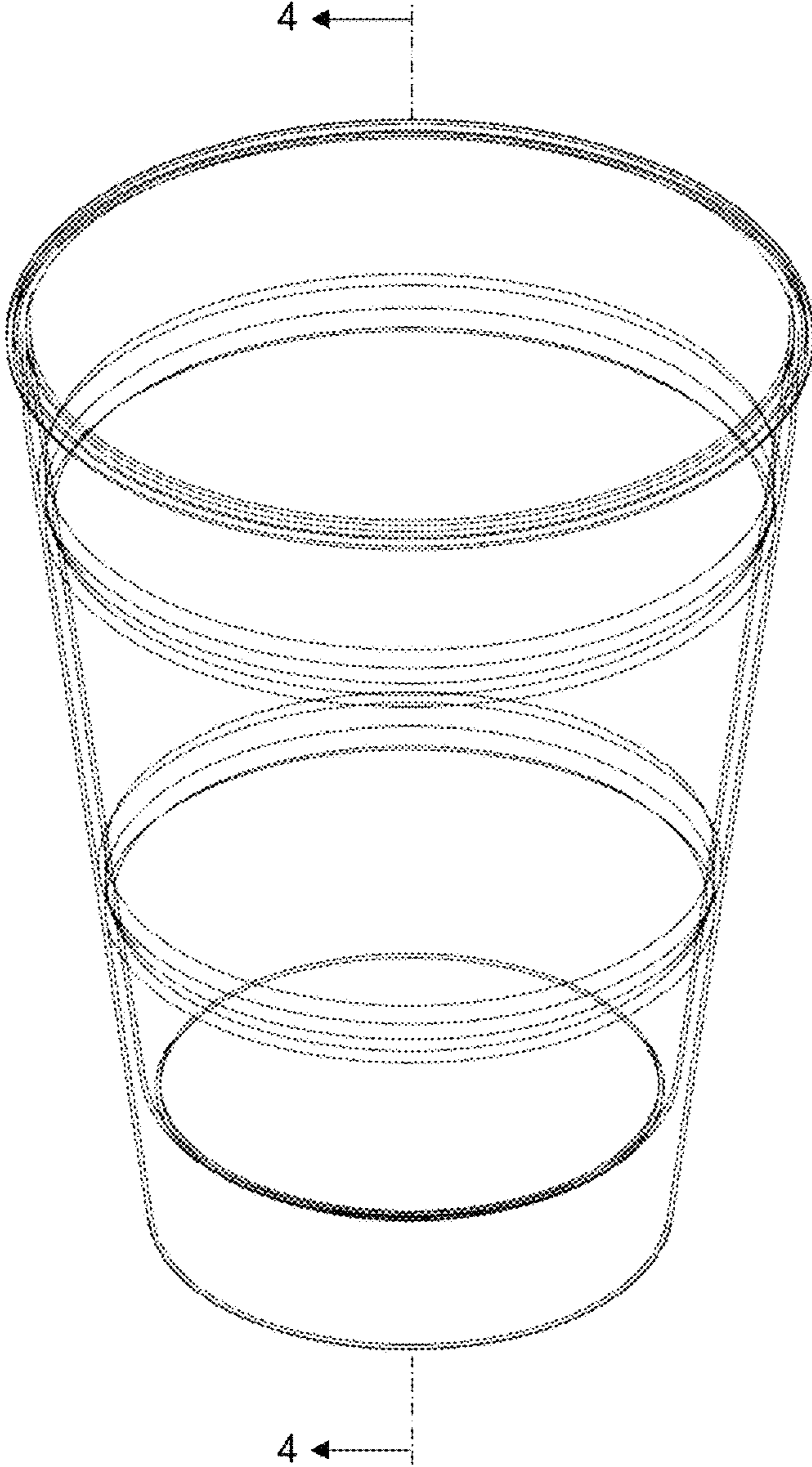


FIG. 1

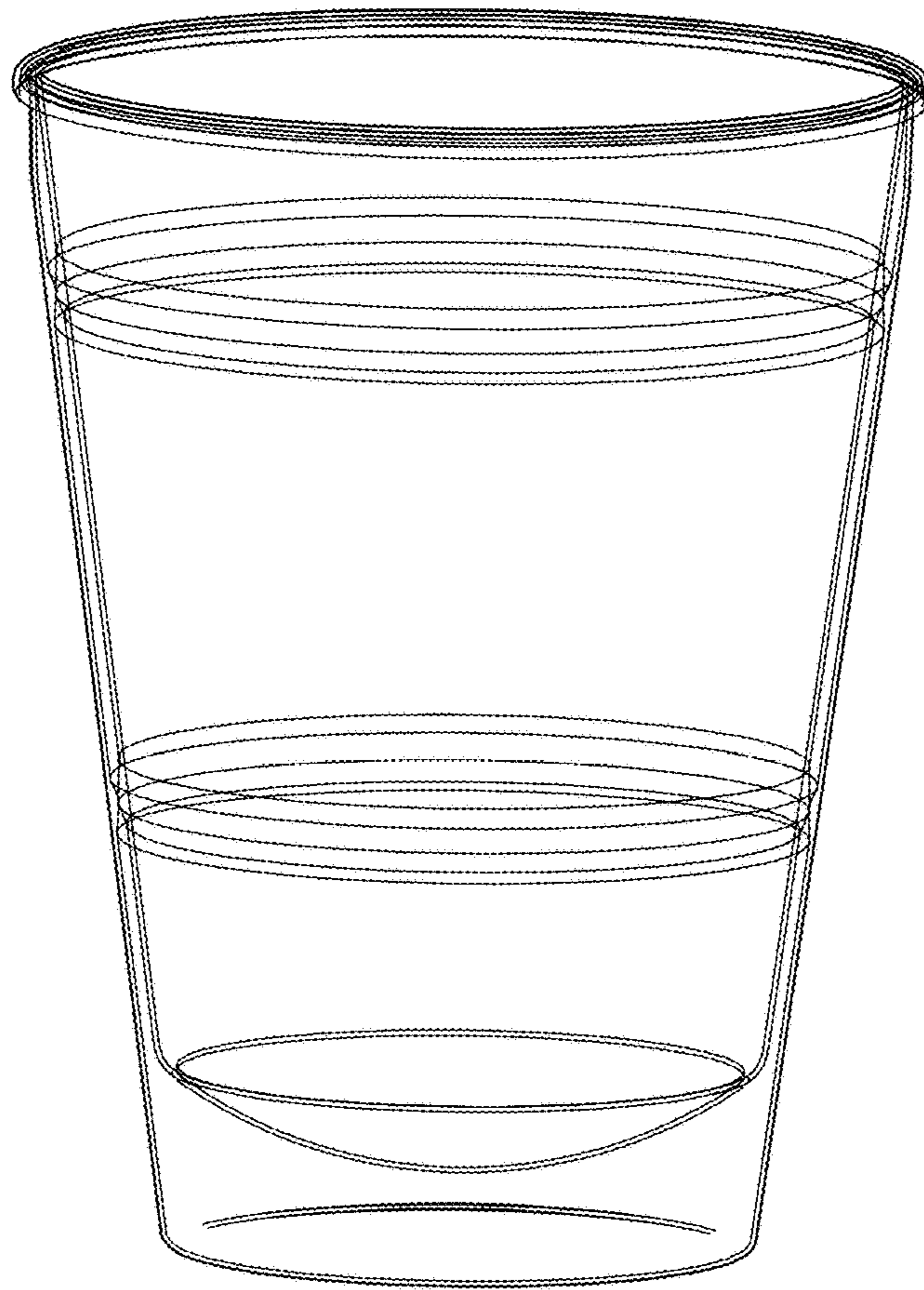


FIG. 2

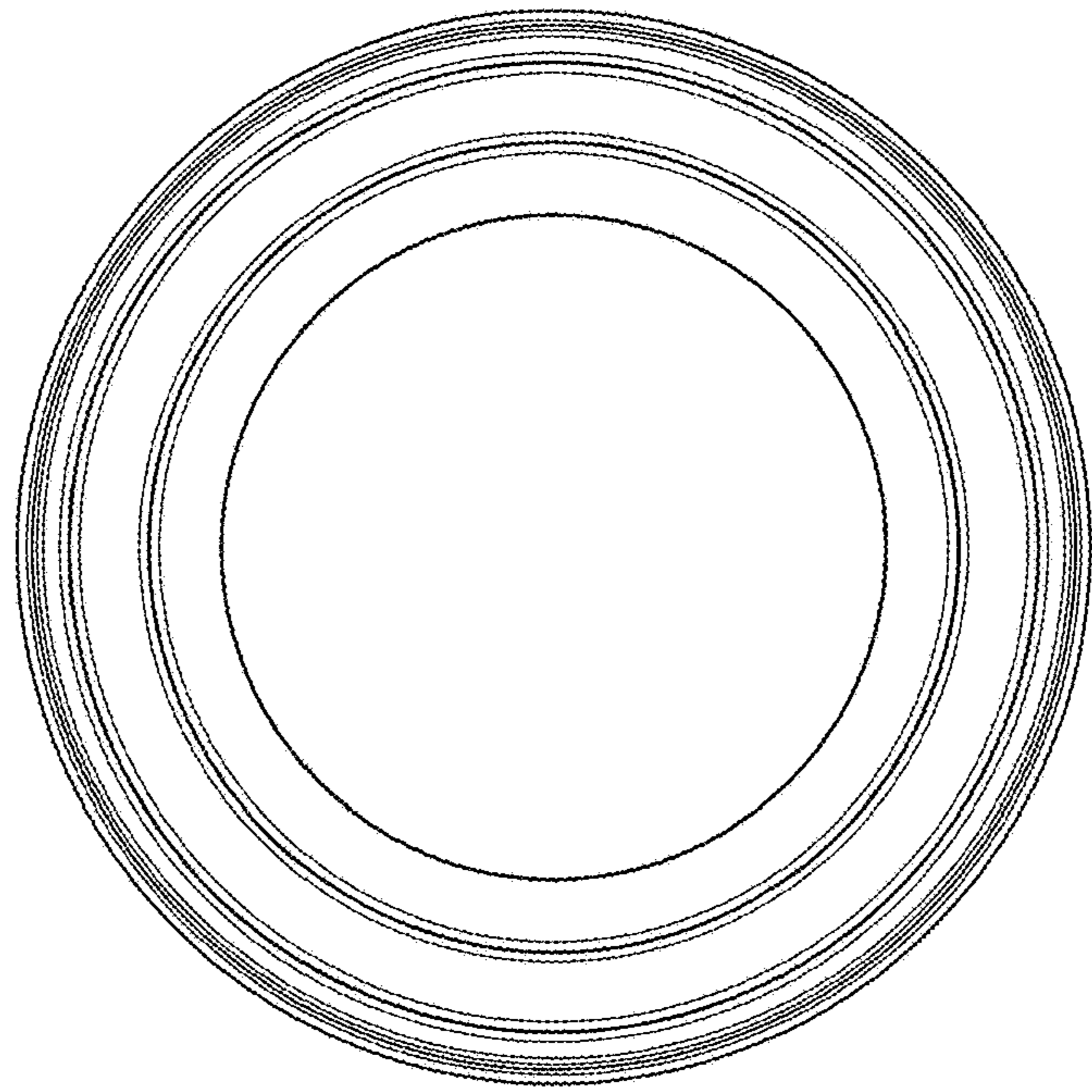
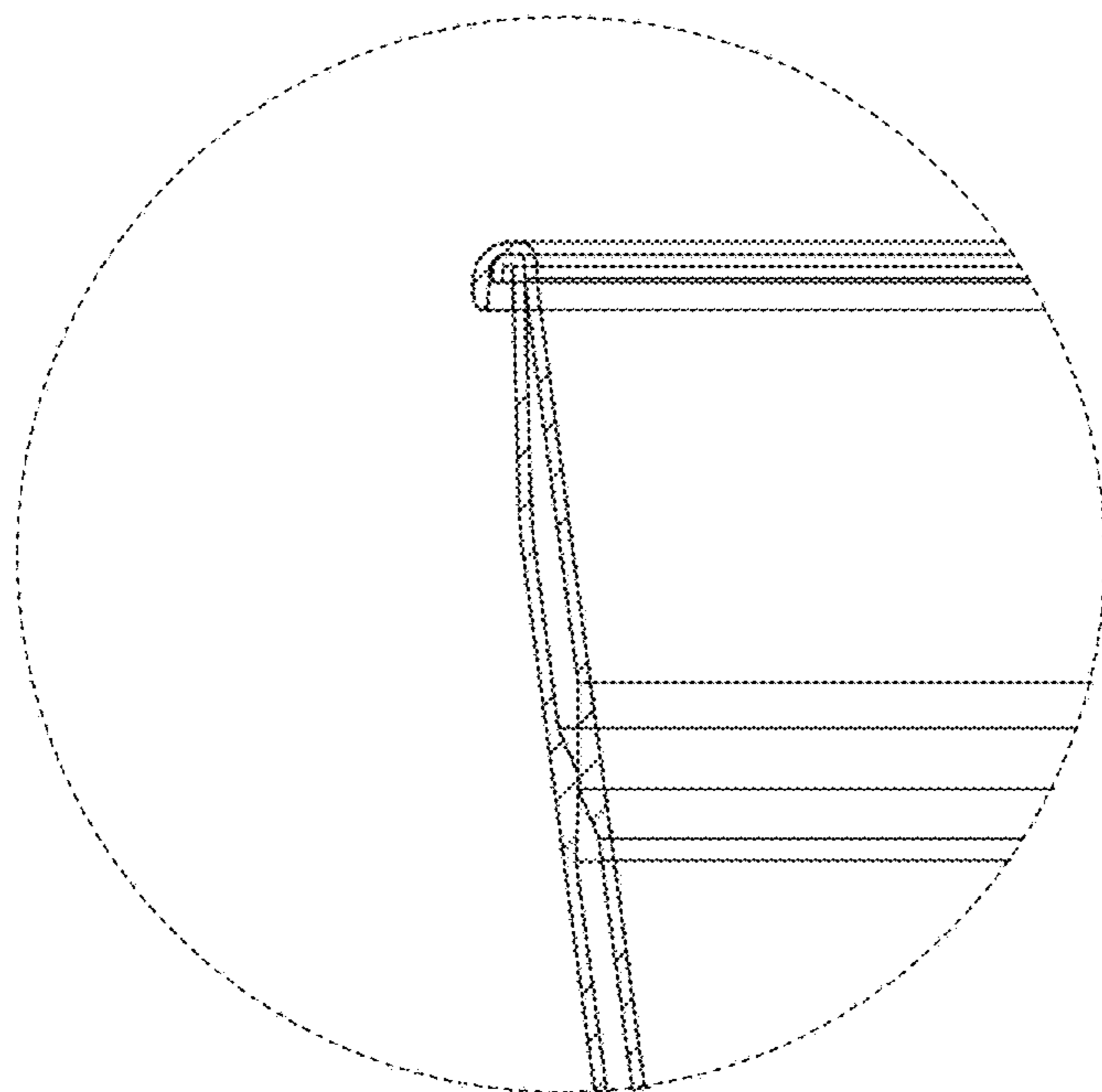
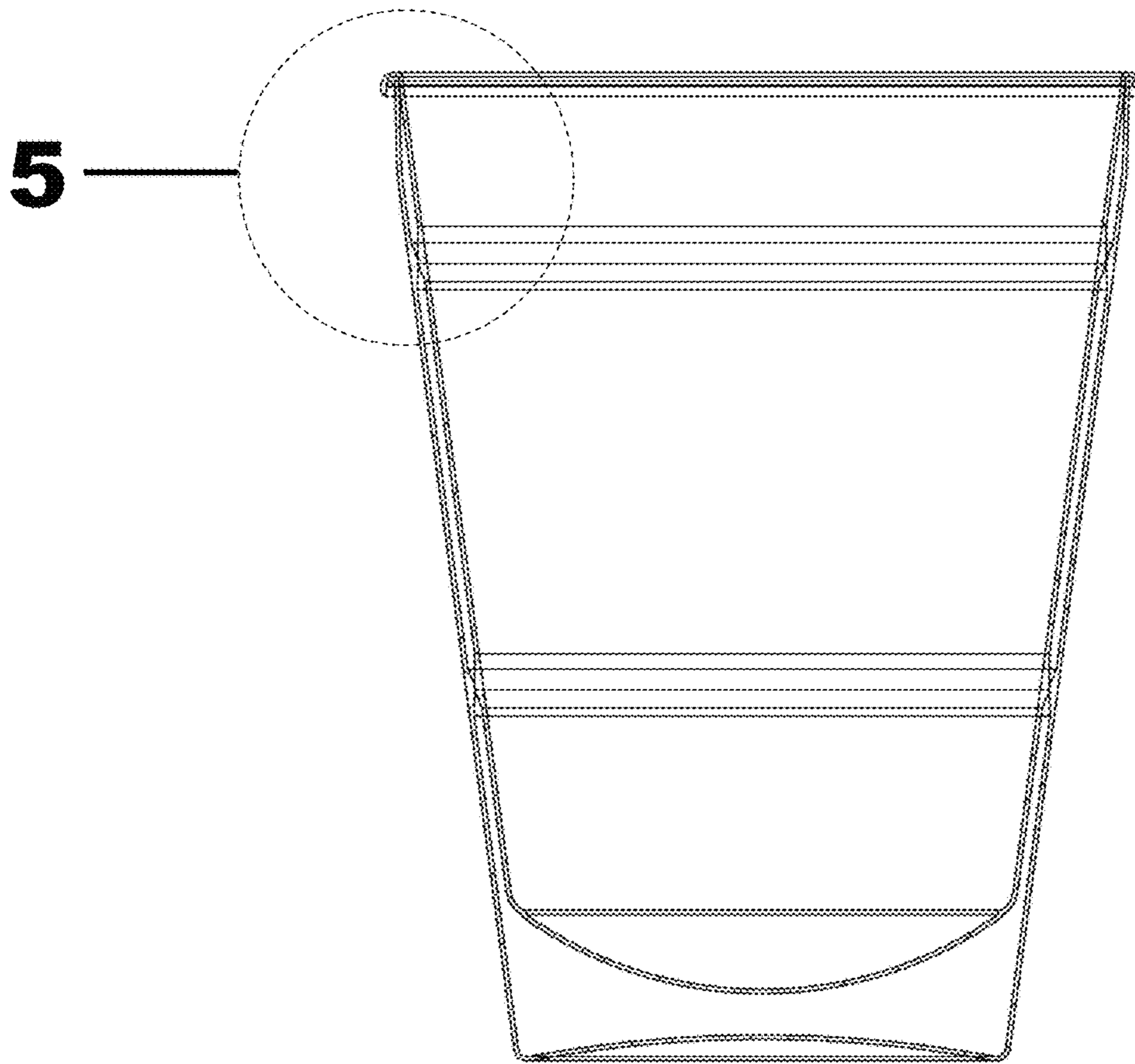


FIG. 3



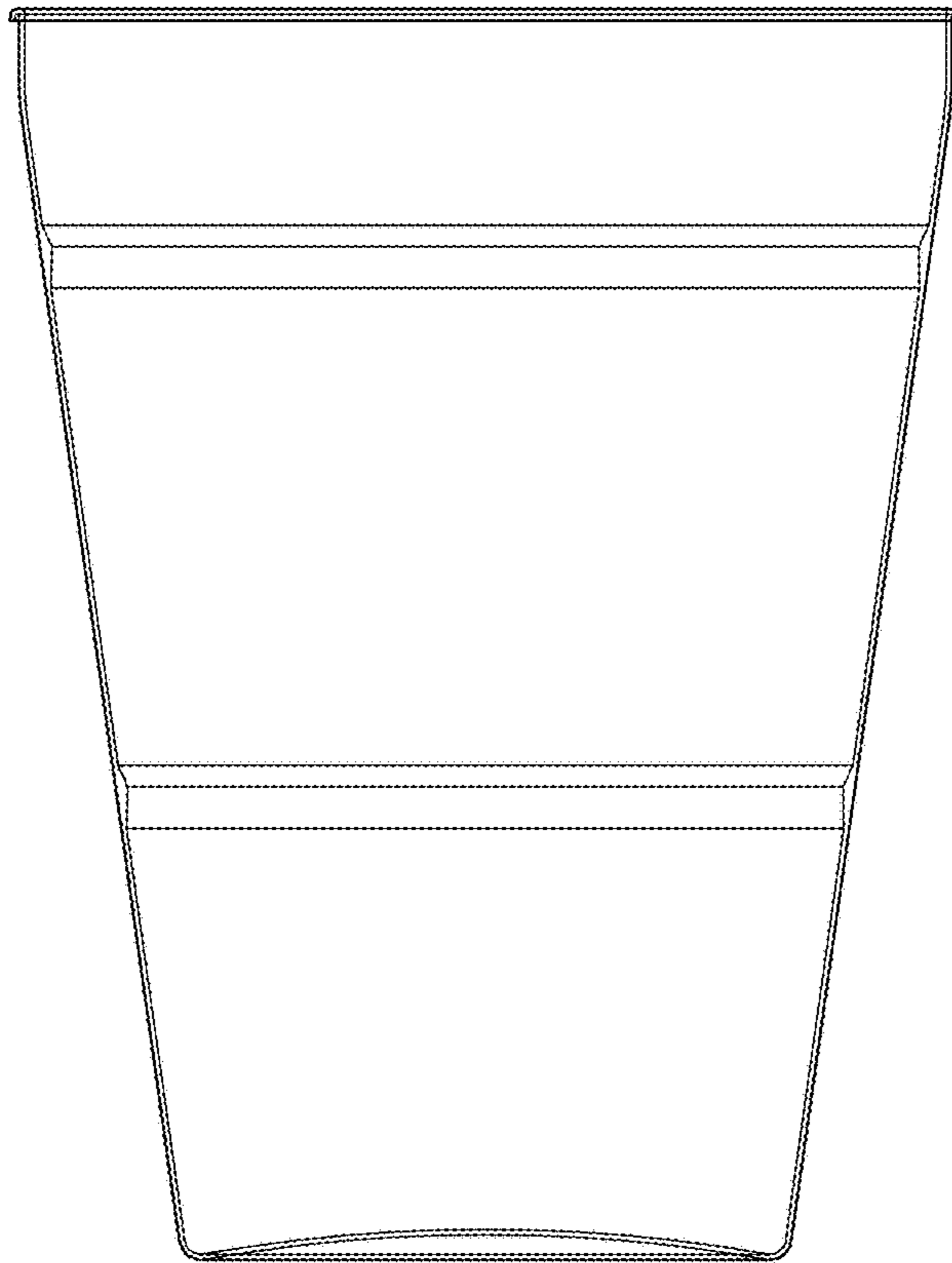


FIG. 6

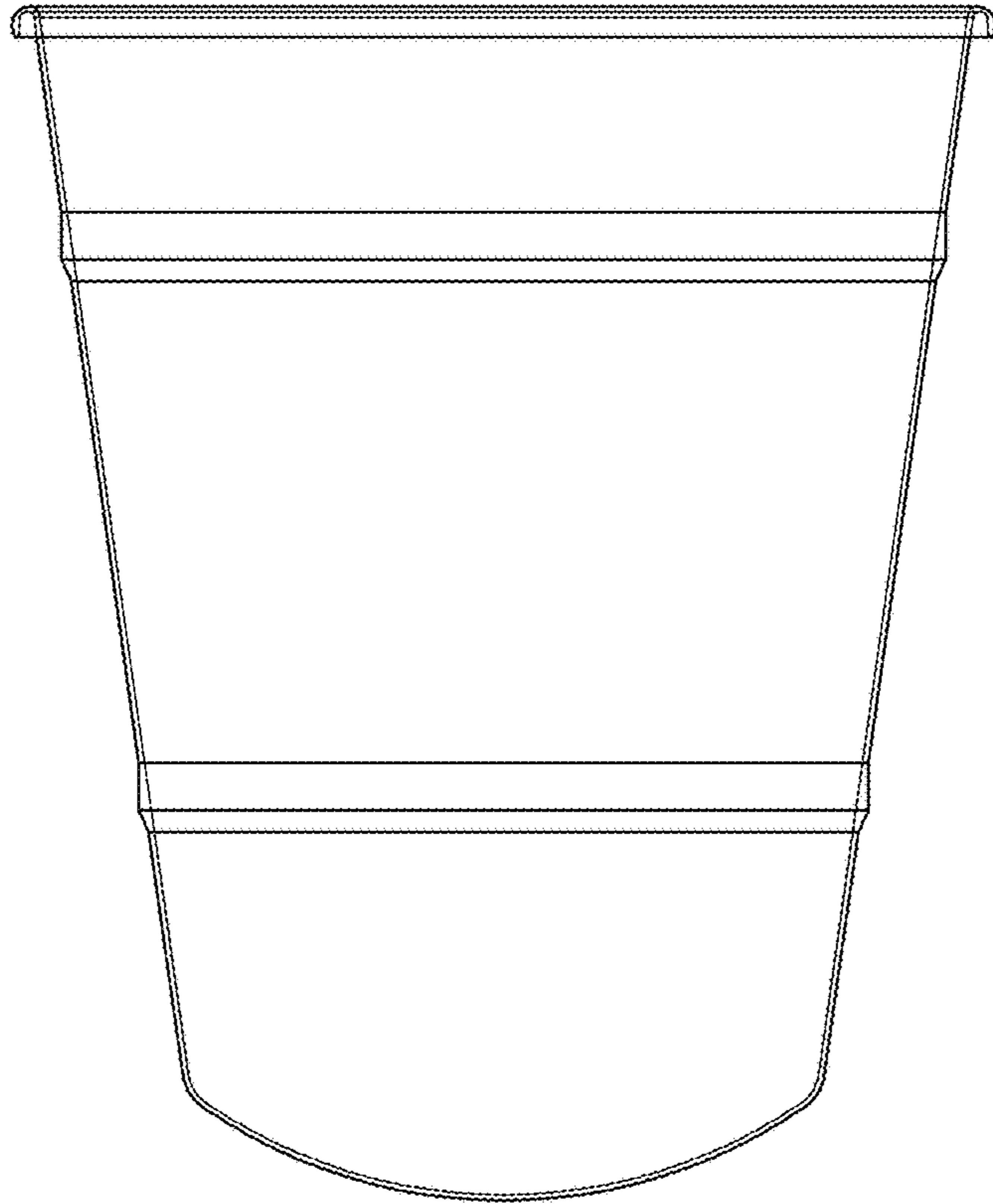


FIG. 7