



US00D839671S

(12) **United States Design Patent** (10) **Patent No.:** **US D839,671 S**  
**Greenwood** (45) **Date of Patent:** **\*\* Feb. 5, 2019**

(54) **TWO-TIER TURNTABLE** 5,494,346 A \* 2/1996 Domenig ..... A47B 49/004  
312/238

(71) Applicant: **YouCopia Products Inc**, Chicago, IL D380,350 S \* 7/1997 Tortorella ..... D7/501  
(US) 5,894,944 A \* 4/1999 Swift ..... A47G 23/08  
211/128.1

(72) Inventor: **Mark Greenwood**, Arlington Hts., IL 6,017,108 A 1/2000 Domenig  
(US) D558,526 S \* 1/2008 Molina ..... D7/550.1  
D624,360 S \* 9/2010 Leavelle ..... D7/501  
8,459,474 B2 6/2013 Sagel

(73) Assignee: **YOUCOPIA PRODUCTS INC.**, 9,936,805 B2 \* 4/2018 McGregor ..... A47B 49/006  
Chicago, IL (US) 2005/0194873 A1 \* 9/2005 Hoffman ..... A47B 49/006  
312/305

(\*\*) Term: **15 Years** 2009/0230069 A1 \* 9/2009 Naden ..... A47B 49/004  
211/144

(21) Appl. No.: **29/621,763** 2011/0127228 A1 \* 6/2011 Sagel ..... A47B 49/004  
211/144

(22) Filed: **Oct. 11, 2017** 2016/0045039 A1 2/2016 McGregor

(51) **LOC (11) Cl.** ..... **07-01**

(52) **U.S. Cl.**

USPC ..... **D7/501**

(58) **Field of Classification Search**

USPC ..... D7/501, 500, 553.6, 554.1, 590, 600.2;  
D6/691, 349, 685, 406.6; 211/74, 133.4

CPC ..... A47J 47/16

See application file for complete search history.

\* cited by examiner

*Primary Examiner* — Cynthia R Underwood  
(74) *Attorney, Agent, or Firm* — Lowe Graham Jones  
PLLC

(57) **CLAIM**

I claim the ornamental design for the two-tier turntable, as shown and described.

**DESCRIPTION**

FIG. 1 is a top perspective view of a two-tier turntable, showing my new design.  
FIG. 2 is a front view of the two-tier turntable.  
FIG. 3 is a rear view of the two-tier turntable.  
FIG. 4 is a right side view of the two-tier turntable.  
FIG. 5 is a left side view of the two-tier turntable.  
FIG. 6 is a top view of the two-tier turntable; and,  
FIG. 7 is a bottom view of the two-tier turntable.  
The broken lines depict portions of the article that form no part of the claimed design.

**1 Claim, 7 Drawing Sheets**

(56) **References Cited**

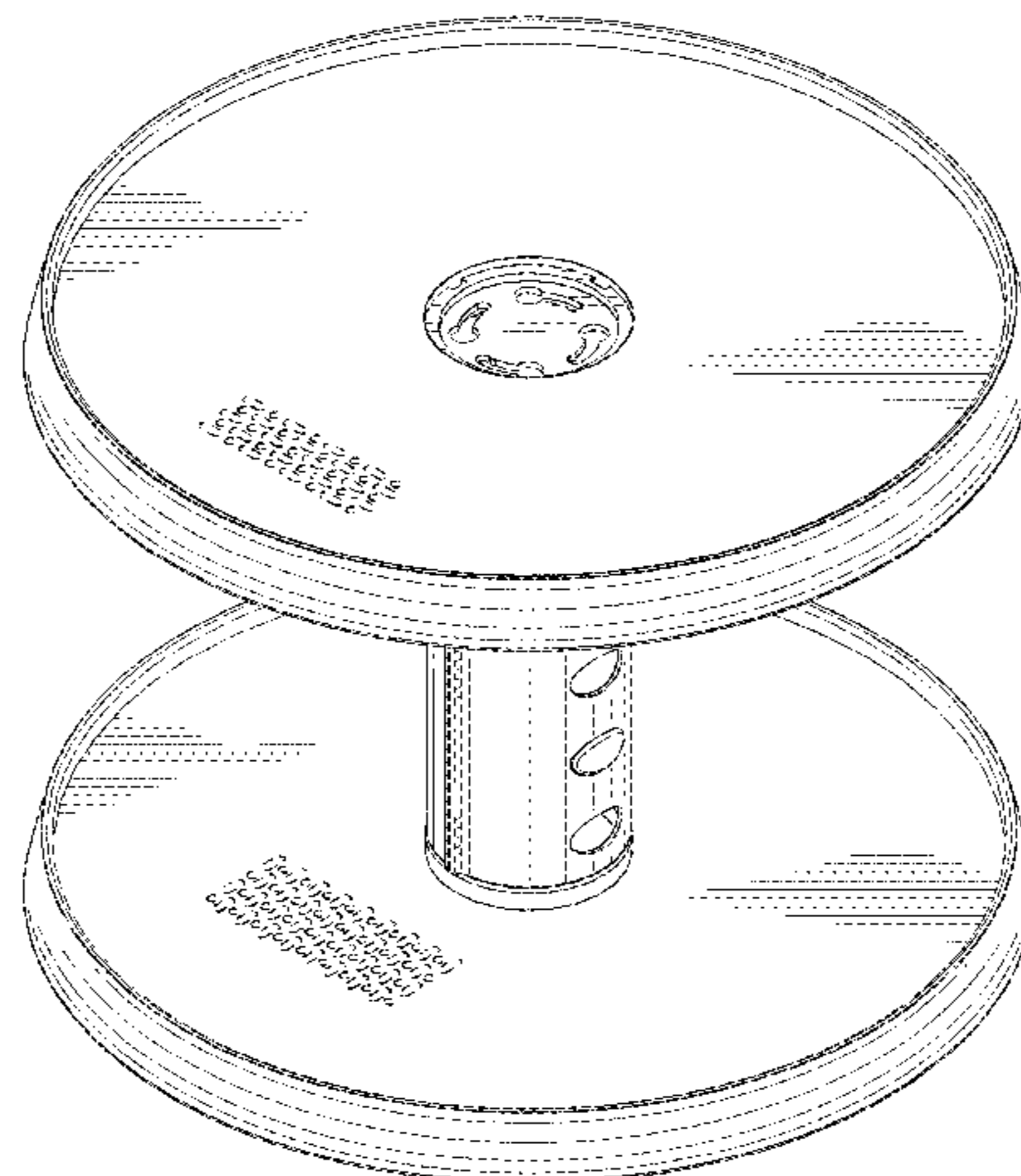
**U.S. PATENT DOCUMENTS**

2,831,582 A 4/1958 Cody  
D197,981 S \* 4/1964 Miller ..... D7/505  
3,951,079 A \* 4/1976 Tolleson ..... A47F 5/02  
108/94

4,433,885 A 2/1984 Baker  
4,688,686 A 8/1987 Mitts et al.  
4,972,947 A \* 11/1990 McCarthy ..... B43M 99/006  
206/214

5,312,003 A \* 5/1994 Domenig ..... A47B 49/004  
211/131.1

D362,787 S \* 10/1995 Burke ..... D7/501



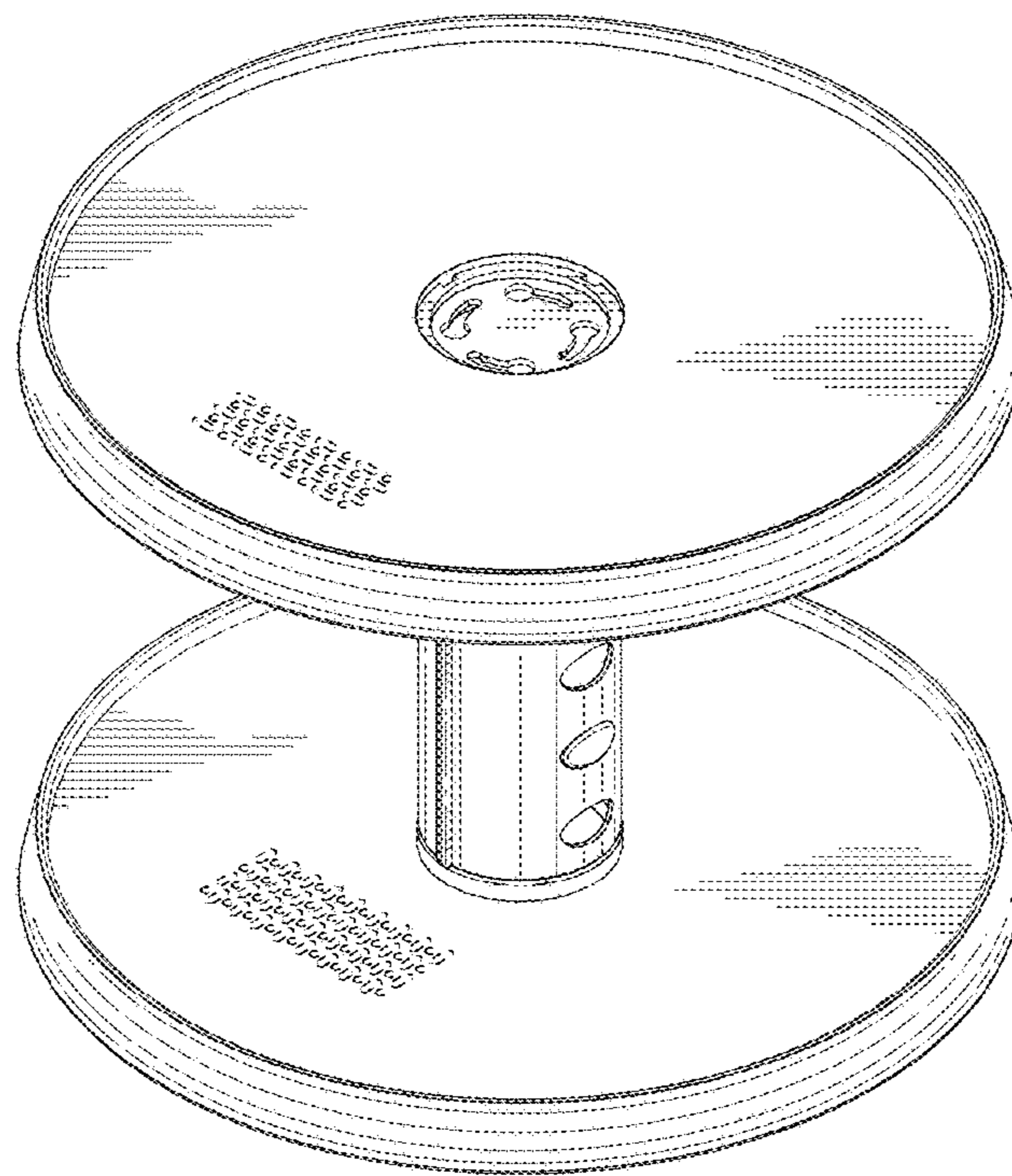


FIG. 1

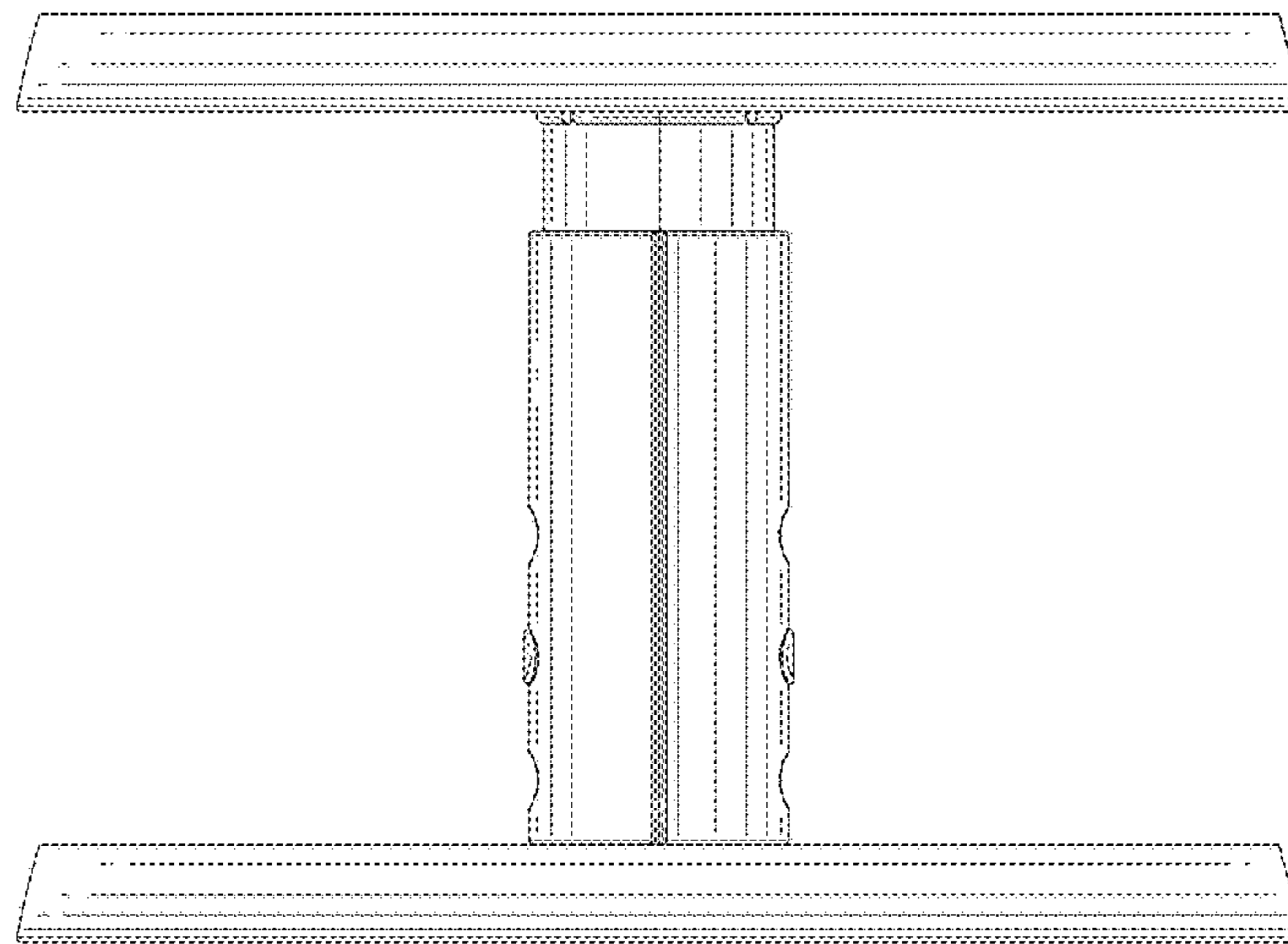


FIG.2

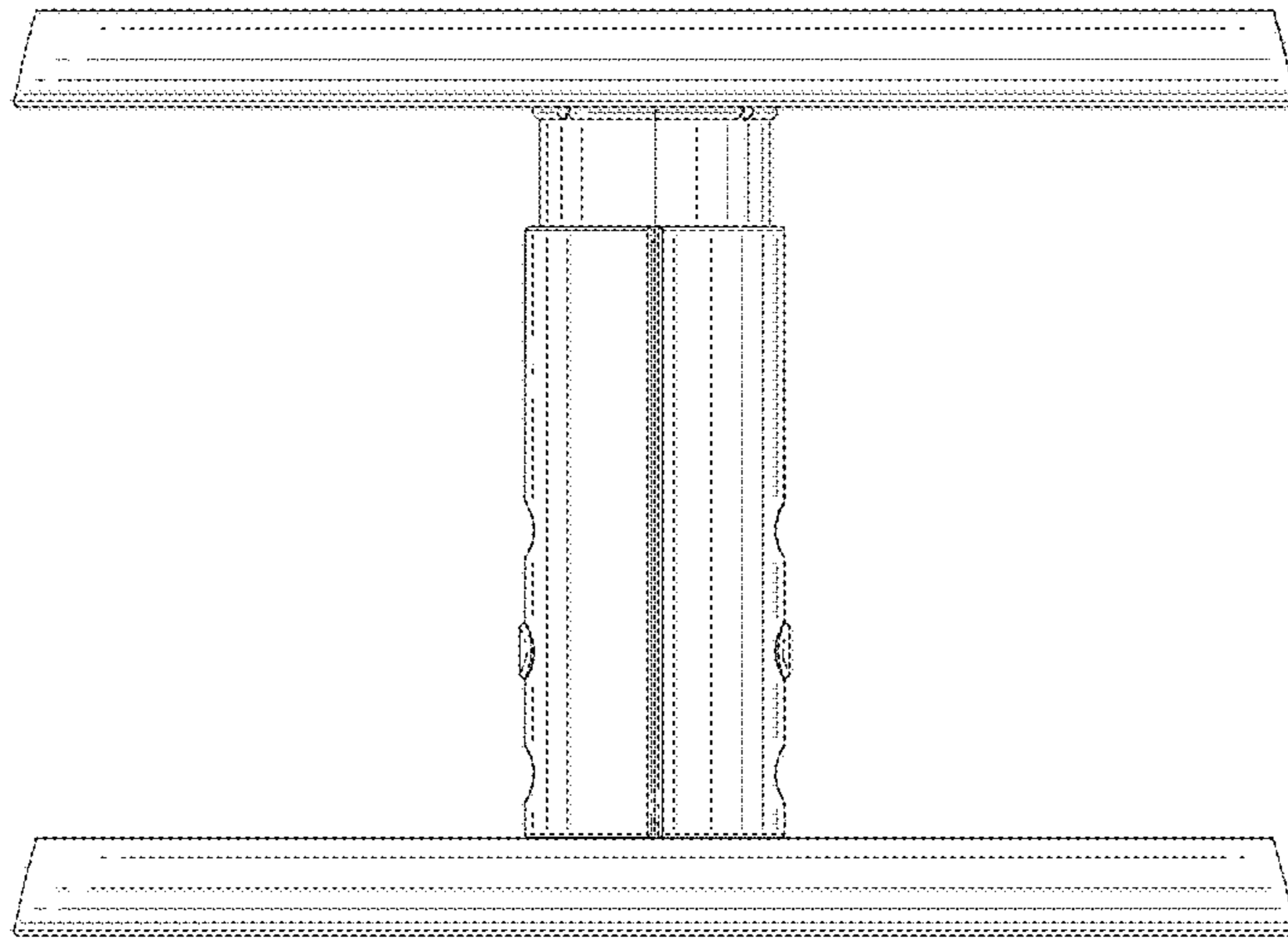


FIG.3

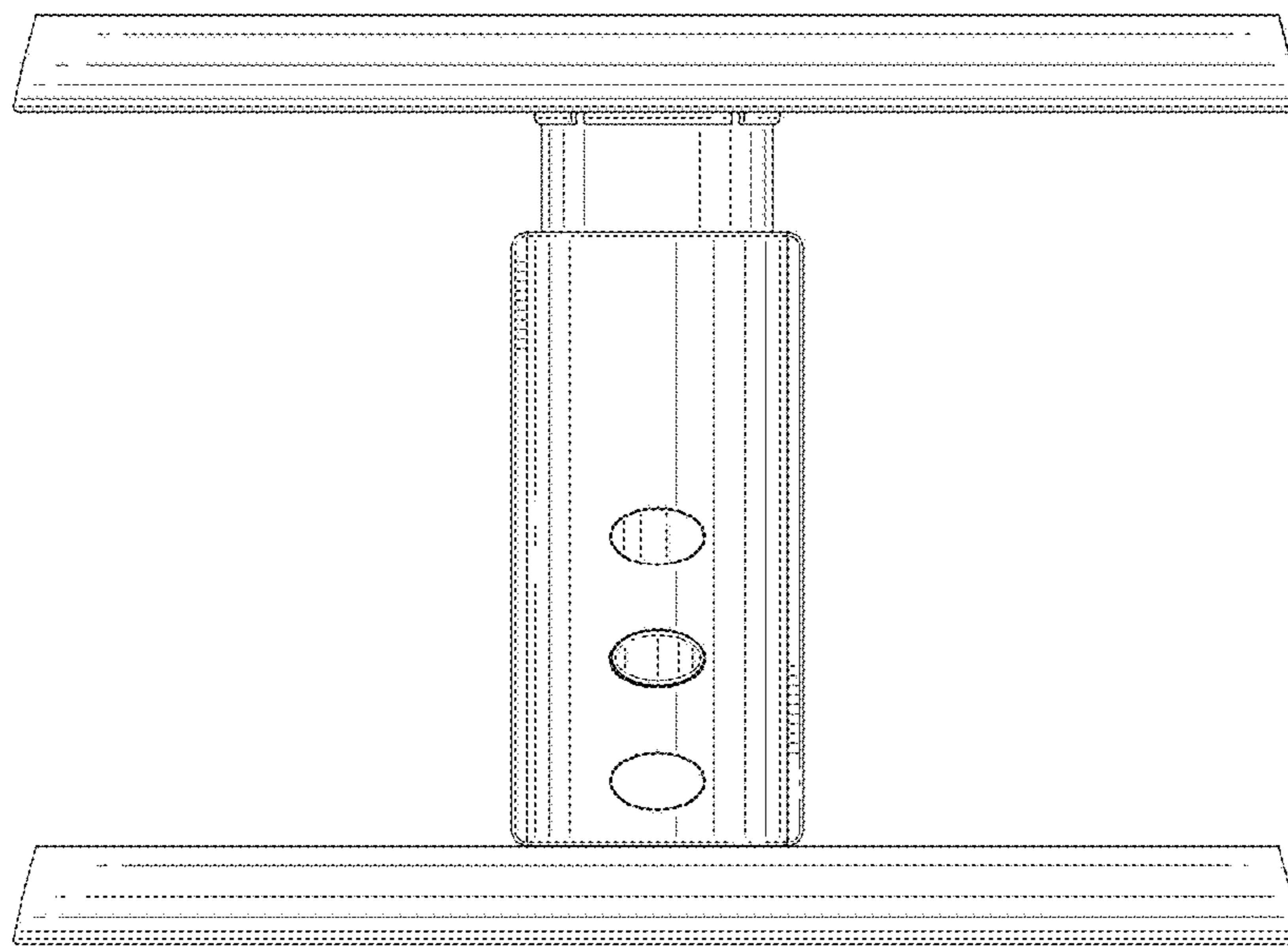


FIG.4

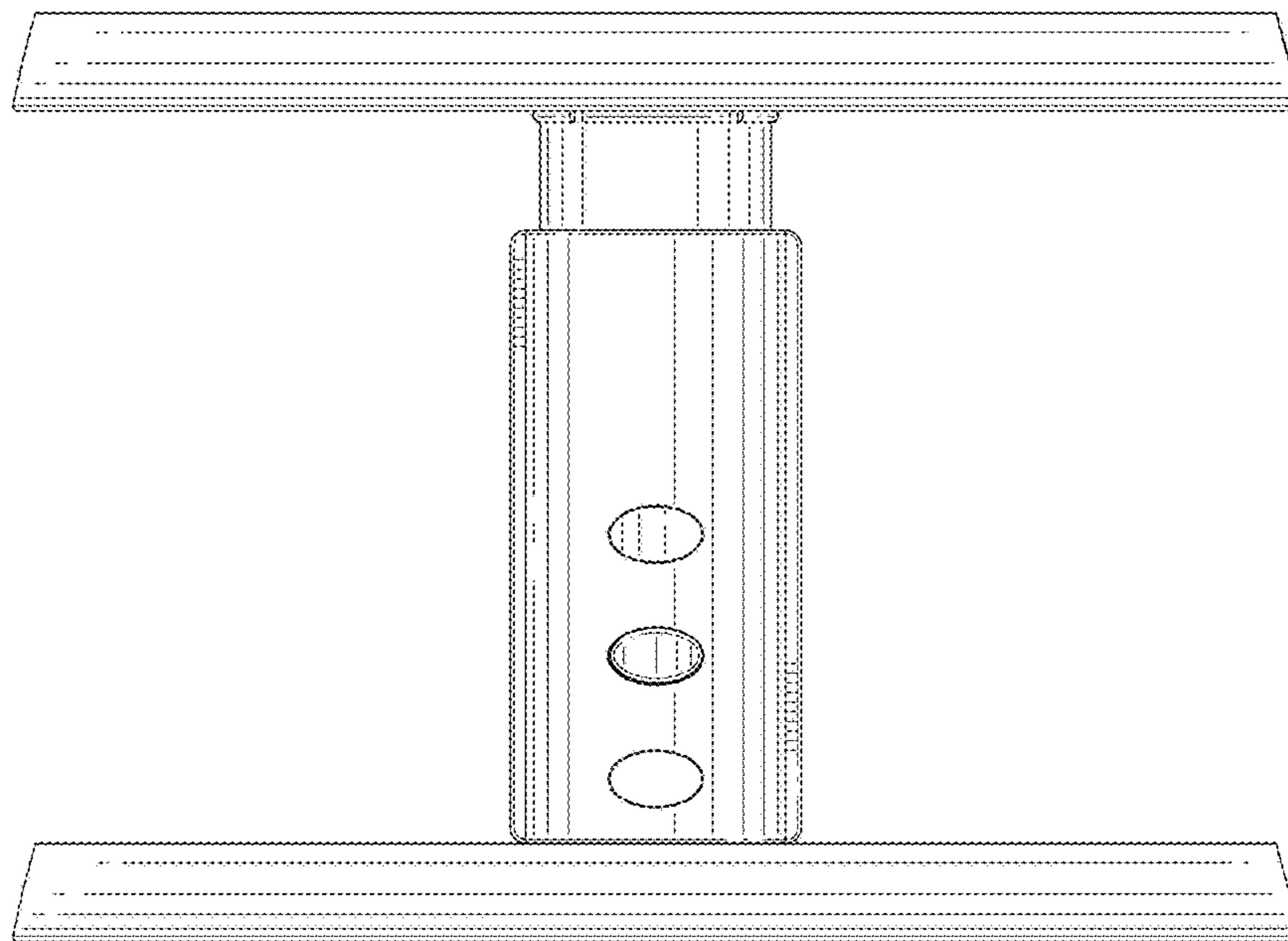


FIG. 5



FIG. 6

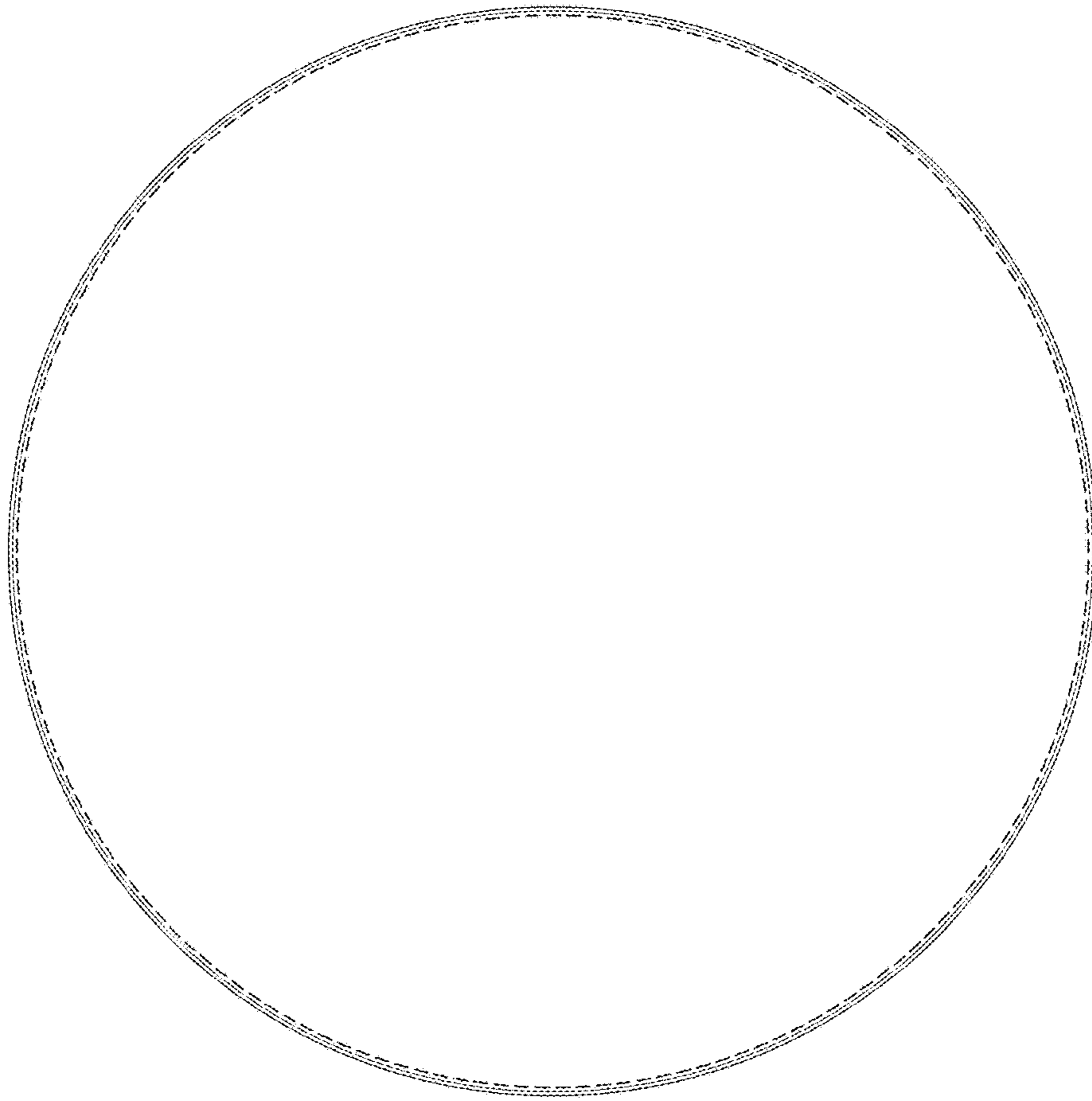


FIG. 7