



US00D839670S

(12) **United States Design Patent** (10) **Patent No.:** **US D839,670 S**
Youngmann (45) **Date of Patent:** **** Feb. 5, 2019**

- (54) **BLENDING CONTAINER**
- (71) Applicant: **Vita-Mix Management Corporation**,
Olmsted Falls, OH (US)
- (72) Inventor: **Trevor Youngmann**, Olmsted
Township, OH (US)
- (73) Assignee: **Vita-Mix Management Corporation**,
Olmsted Falls, OH (US)

937,772 A 10/1909 Cullen
 1,139,534 A 5/1915 Klenk
 1,380,066 A 5/1921 Johnson
 (Continued)

FOREIGN PATENT DOCUMENTS

CN 200939970 8/2007
 CN 200973620 11/2007
 (Continued)

(**) Term: **15 Years**

(21) Appl. No.: **29/594,184**

(22) Filed: **Feb. 16, 2017**

(51) **LOC (11) Cl.** **07-99**

(52) **U.S. Cl.**
USPC **D7/413**

(58) **Field of Classification Search**
 USPC D7/323-332, 334, 336-339, 346-348,
 D7/354-359, 368, 372, 376-388, 397,
 D7/402-415, 665-669, 672-677,
 D7/683-689, 693, 694; 241/98, 167,
 241/199.12, 282.1, 282.2; 366/197
 CPC .. A47J 43/046; A47J 43/0787; A47J 43/0716;
 A47J 43/0766; B01F 7/162; B01F 3/00;
 B01F 3/0807; B01F 3/0853; B01F
 13/0059; B01F 13/0064

See application file for complete search history.

(56) **References Cited**

U.S. PATENT DOCUMENTS

112,477 A 3/1871 Merrill
 181,013 A 8/1876 Sawyer
 298,503 A 5/1884 Rex
 400,566 A 4/1889 Harry
 460,265 A 9/1891 Mulford
 698,755 A 4/1902 Stiehle
 742,955 A 11/1903 Augur
 747,249 A 12/1903 Smith
 796,692 A 8/1905 Scantlin

OTHER PUBLICATIONS

Available Oct. 2017, [online], [site visited May 3, 2018]. Available
 from Internet, URL:https://www.vitamix.com/us/en_us/shop/e310>
 (Year: 2018).*

(Continued)

Primary Examiner — Cathron C Brooks
Assistant Examiner — Katrina N Gonzalez
 (74) *Attorney, Agent, or Firm* — McDonald Hopkins LLC

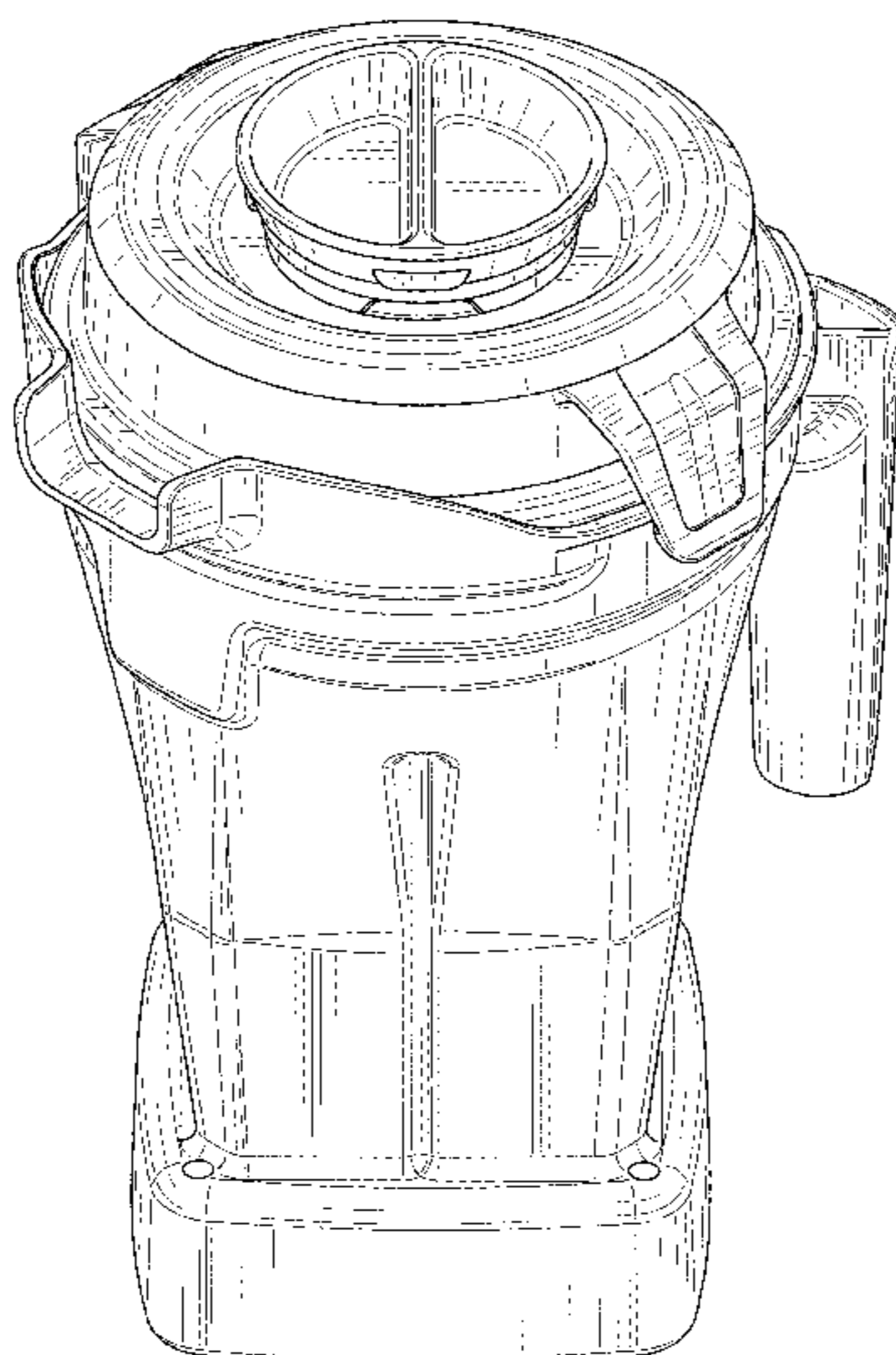
(57) **CLAIM**

The ornamental design for a blending container, as shown and described.

DESCRIPTION

FIG. 1 is a top perspective view of a blending container, showing our new design;
 FIG. 2 is a front view thereof;
 FIG. 3 is a rear view thereof;
 FIG. 4 is a first side view thereof;
 FIG. 5 is a second side view thereof;
 FIG. 6 is a top view thereof; and,
 FIG. 7 is a bottom view thereof.
 The broken lines shown in FIG. 7 illustrate portions of the blending container and form no part of the claimed design. The dash-dot broken lines in FIG. 7 represent the bounds of the claim and form no part of the claimed design.

1 Claim, 7 Drawing Sheets



(56)

References Cited

U.S. PATENT DOCUMENTS

2,012,113 A	8/1935	Thompson	4,891,966 A	1/1990	Kramer
2,086,858 A	7/1937	Dunkelberger	4,893,942 A	1/1990	Stottmann
2,246,054 A	6/1941	Marty	4,911,557 A	3/1990	Dormer
2,282,866 A	5/1942	Hagen	D309,077 S	7/1990	Pomroy
2,404,915 A	7/1946	McCullough	4,968,864 A	11/1990	Doi et al.
D163,117 S	5/1951	Hobbs	4,981,365 A	1/1991	Bow
2,626,078 A	1/1953	Hutchisson	5,156,867 A	10/1992	Leuthold et al.
2,628,081 A	2/1953	Laird	D335,382 S	5/1993	O'Brien
2,711,644 A	6/1955	Myers	D336,590 S	6/1993	Barnard
2,761,659 A	9/1956	Collura	5,219,419 A	6/1993	Prothe
2,774,576 A	12/1956	Frank	5,226,558 A	7/1993	Whitney
2,776,691 A	1/1957	Tupper	5,267,211 A	11/1993	Kobayashi et al.
D180,096 S	4/1957	Moore	5,267,790 A	12/1993	Sutherland et al.
2,798,701 A	7/1957	Francesco	5,287,980 A	2/1994	Saltz
2,860,550 A	11/1958	Louis	5,316,382 A	5/1994	Penaranda et al.
2,897,862 A	8/1959	Malz	5,323,973 A	6/1994	Ferrara
2,924,349 A	2/1960	Huck	5,332,115 A	7/1994	Schafer
2,942,301 A	6/1960	Price	D350,451 S	9/1994	Dickson
2,954,174 A	9/1960	Polleys	5,347,205 A	9/1994	Piland
2,955,186 A	10/1960	Ritter	5,360,176 A	11/1994	Mugge
3,064,949 A	11/1962	Dewenter	5,363,746 A	11/1994	Gordon
3,082,900 A	3/1963	Goodman	5,392,695 A	2/1995	Junkel
D198,303 S	5/1964	Dewenter	5,397,022 A	3/1995	Schafer
3,175,594 A	3/1965	Ivar	5,487,511 A	1/1996	Sansone
3,216,473 A	11/1965	Dewenter	5,531,153 A	7/1996	Maruyama et al.
3,223,486 A	12/1965	Holl	5,551,594 A	9/1996	Schafer
D204,117 S *	3/1966	Di Sesa D7/378	5,556,198 A	9/1996	Dickson, Jr. et al.
3,240,246 A	3/1966	Dewenter	5,562,020 A	10/1996	Shigeshiro
3,299,226 A	1/1967	Edwards	5,577,735 A	11/1996	Reed et al.
3,311,353 A	3/1967	Rogenski	5,589,119 A	12/1996	Hetherington
D207,692 S	5/1967	Dykes	5,605,090 A	2/1997	Mantani et al.
3,342,425 A	9/1967	Morton	5,616,083 A	4/1997	Subbaraman
3,355,045 A	11/1967	David	5,660,467 A	8/1997	Mineo et al.
3,362,590 A	1/1968	Martin	5,660,468 A	8/1997	Okajima
3,363,820 A	1/1968	Schilling	5,678,726 A	10/1997	Porteous
3,417,972 A	12/1968	Vincent	D386,357 S *	11/1997	Davidson D7/413
3,419,196 A	12/1968	Moore	5,738,240 A	4/1998	Vavra
3,441,173 A	4/1969	Edwards	5,768,978 A	6/1998	Dorner et al.
D217,178 S	4/1970	Crider	5,823,382 A	10/1998	Van Giezen
3,537,691 A *	11/1970	Miwa A47J 43/046	5,829,341 A	11/1998	Lin
		241/282.2	5,839,356 A	11/1998	Dornbush et al.
3,548,280 A *	12/1970	Cockroft H02P 7/295	5,888,565 A	3/1999	Gics
		241/282.1	5,957,577 A	9/1999	Dickson
D220,416 S	4/1971	Folden	5,958,484 A	9/1999	Gics
3,612,126 A	10/1971	Emmons	5,967,021 A	10/1999	Yung
3,627,008 A	12/1971	Samuelian	6,065,861 A	5/2000	Chen
3,731,059 A	5/1973	Wilson	D429,956 S	8/2000	Bohannon
3,738,583 A	6/1973	Berland	6,116,469 A	9/2000	Wallays
D227,535 S	7/1973	Grimes	D435,192 S	12/2000	Bohannon
D228,698 S	10/1973	Barnard	D437,192 S	2/2001	Verherbrugghen
3,812,995 A	5/1974	Lewis	D437,731 S	2/2001	Thackray
D232,297 S	8/1974	Mantelet	6,210,033 B1	4/2001	Karkos, Jr. et al.
3,841,528 A	10/1974	Eisenberg	D452,296 S	12/2001	Egnell
3,873,435 A	3/1975	Ziebarth	6,364,522 B2	4/2002	Kolar et al.
3,943,421 A	3/1976	Shibata et al.	6,390,665 B1	5/2002	Silveria
3,951,351 A	4/1976	Emster et al.	D458,723 S	6/2002	Malvasio
3,963,220 A	6/1976	Ohchi	6,402,365 B1	6/2002	Wong
D241,228 S	8/1976	Boduch	6,609,821 B2	8/2003	Wulf et al.
4,003,555 A	1/1977	Swartz	D480,904 S	10/2003	Backes
4,087,053 A	5/1978	Voglesonger	D480,915 S	10/2003	Kolar
D257,315 S	10/1980	Keon	6,632,013 B2	10/2003	Wulf
D259,133 S	5/1981	Klawitter	6,705,484 B2	3/2004	Schäfer
4,561,782 A	12/1985	Jacobsen	6,715,706 B1	4/2004	Planca
4,568,193 A	2/1986	Conti et al.	D491,019 S	6/2004	Marsden
D282,896 S	3/1986	Conti	D495,925 S	9/2004	Ulanski
D286,726 S	11/1986	Daenen	6,811,303 B2	11/2004	Dickson
D287,324 S	12/1986	Schmidt	6,854,876 B2	2/2005	Dickson
4,655,373 A	4/1987	Essen	D508,187 S	8/2005	Dais
4,660,733 A	4/1987	Snyder	D508,188 S	8/2005	Zettle
4,664,530 A	5/1987	Kurome	6,959,562 B2	11/2005	Navedo et al.
4,671,452 A	6/1987	Pupp	6,979,117 B2	12/2005	Dickson
4,686,356 A	8/1987	Ueda et al.	D514,458 S	2/2006	Lawson
D291,659 S	9/1987	Powell	D514,868 S	2/2006	Achenbach
4,762,057 A	8/1988	Hirota et al.	D521,316 S	5/2006	Katz
4,822,172 A	4/1989	Stottmann	7,047,872 B2	5/2006	Mulle
			7,063,456 B2	6/2006	Miller
			D525,080 S	7/2006	Katz
			D526,839 S	8/2006	Boozer
			D527,575 S	9/2006	Ulanski

(56)

References Cited

U.S. PATENT DOCUMENTS

D527,588 S 9/2006 De Groot
D528,363 S 9/2006 Ulanski
7,267,478 B2 9/2007 Miller
D552,916 S 10/2007 Bodum
7,275,666 B2 10/2007 Rukavina
7,281,842 B2 10/2007 Dickson
7,350,963 B2 4/2008 Williams
7,357,273 B1 4/2008 Lutz
D568,156 S 5/2008 Wilson
D577,545 S 9/2008 Ulanski
7,422,362 B2 9/2008 Sands
D587,526 S 3/2009 Barnard
D588,406 S 3/2009 Ulanski
7,520,659 B2 4/2009 Wulf
D597,380 S 8/2009 Epstein
7,632,007 B2 12/2009 Wulf
7,648,264 B2 1/2010 Breviere
D611,384 S 3/2010 Biegel
D621,656 S 8/2010 Ulanski
D637,862 S 5/2011 Fouquet
7,975,868 B1 7/2011 Flies
D645,340 S 9/2011 Menard
D655,133 S 3/2012 Brinckerhoff
D661,947 S 6/2012 Conti
D662,359 S 6/2012 Boozer
D664,808 S 8/2012 Dickson
D672,617 S 12/2012 Stamper
D673,010 S 12/2012 Stamper
D678,727 S 3/2013 Kolar
D684,818 S * 6/2013 Lee D7/376
D685,263 S 7/2013 Danenberg
8,529,120 B2 9/2013 Ulanski
D698,649 S 2/2014 Quint
D705,064 S 5/2014 Sy
D705,606 S 5/2014 Coakley
D708,903 S 7/2014 Wong
D709,326 S * 7/2014 Thai D7/378
D711,192 S 8/2014 Picozza
8,814,011 B2 8/2014 Ulanski
8,899,824 B2 * 12/2014 Kolar A47J 43/07
366/206
D738,670 S 9/2015 Sands
D742,172 S 11/2015 Dickson
D753,482 S 4/2016 Serrano
D753,954 S 4/2016 Schreiber
D756,771 S 5/2016 Covey
9,370,280 B2 6/2016 Conti
D769,061 S * 10/2016 Diderotto D7/376
D777,515 S 1/2017 Potter
D782,247 S 3/2017 Kim
D783,354 S 4/2017 Smith
D783,355 S 4/2017 Tu
D783,356 S 4/2017 Kim
D784,761 S * 4/2017 Tu D7/376
9,635,981 B2 * 5/2017 Barnard A47J 43/046
D791,541 S * 7/2017 Stumph D7/376
D793,227 S 8/2017 Maskell
D798,101 S * 9/2017 Rose D7/376
D798,109 S 9/2017 Ulanski
D802,358 S * 11/2017 Jossem D7/384
D808,718 S * 1/2018 Coakley D7/413
D808,719 S * 1/2018 Coakley D7/413
9,855,535 B2 * 1/2018 Arnett B01F 7/162
D811,166 S * 2/2018 Smith D7/413
D811,167 S * 2/2018 Smith D7/413
D812,416 S * 3/2018 Carlson D7/384
D815,886 S * 4/2018 Huang D7/378
D815,887 S * 4/2018 Huang D7/378
2002/0009017 A1 1/2002 Kolar et al.
2002/0141286 A1 10/2002 Wulf
2002/0176320 A1 11/2002 Wulf et al.
2003/0121189 A1 7/2003 Williams
2003/0147234 A1 8/2003 Harada
2003/0213373 A1 11/2003 Dickson
2003/0214875 A1 11/2003 Dickson

2004/0011798 A1 1/2004 Dubois
2004/0100862 A1 5/2004 Arroubi
2004/0203387 A1 10/2004 Grannan
2005/0018534 A1 1/2005 Nikkah
2005/0061821 A1 3/2005 Smith
2005/0099884 A1 5/2005 Lee
2005/0133514 A1 6/2005 Schutz
2005/0229795 A1 10/2005 Stuckey
2005/0258197 A1 11/2005 Rukavina
2006/0086843 A1 4/2006 Lin et al.
2006/0108372 A1 5/2006 Aiken
2006/0169715 A1 8/2006 Emmendorfer et al.
2006/0176765 A1 8/2006 Pryor
2006/0203610 A1 9/2006 Bohannon, Jr. et al.
2006/0214765 A1 9/2006 Pitchers et al.
2006/0261066 A1 11/2006 Boozer
2007/0165484 A1 7/2007 Branson
2007/0210194 A1 9/2007 Carnevale
2007/0221668 A1 9/2007 Baarman et al.
2008/0170465 A1 7/2008 Bohannon
2009/0032551 A1 2/2009 Mcginley
2009/0045229 A1 2/2009 Mcginley
2009/0078594 A1 3/2009 Lookholder
2009/0129200 A1 5/2009 Breviere
2009/0238034 A1 9/2009 Ulanski
2011/0046786 A1 2/2011 Wulf
2011/0189358 A1 8/2011 Herbert
2011/0199852 A1 8/2011 Martin
2011/0210195 A1 9/2011 Garcia
2011/0240624 A1 10/2011 Zhang
2011/0248108 A1 10/2011 Carriere
2012/0206995 A1 8/2012 Wu
2013/0074706 A1 3/2013 Fevre
2013/0153572 A1 6/2013 Gillette
2013/0192477 A1 8/2013 Hoare
2014/0144804 A1 5/2014 Roodnat
2014/0233344 A1 8/2014 Aliberti
2014/0247686 A1 9/2014 Arnett
2015/0008255 A1 1/2015 Lin
2015/0044344 A1 2/2015 Choi
2015/0258514 A1 9/2015 Boozer
2015/0265983 A1 9/2015 Fleming
2015/0272394 A1 10/2015 Lin
2015/0366385 A1 12/2015 Wang
2017/0224169 A1 8/2017 Kolar
2017/0274332 A1 9/2017 Gandhi
2017/0283149 A1 10/2017 Rhue

FOREIGN PATENT DOCUMENTS

CN 101194807 6/2008
CN 201899991 7/2011
CN 202312540 7/2012
DE 19539382 1/1997
EP 0963726 12/1999
FR 2585676 2/1987
GB 3013649 7/2003
GB 2398733 9/2004
JP 401145030 6/1989
JP H1145031 6/1989
JP 401310616 12/1989
JP 403193013 8/1991
JP 404017820 1/1992
JP 406178734 6/1994
JP H0937970 2/1997
JP 2002-210287 7/2002
JP 2005-04014 7 2/2005
JP D1404256 * 4/2010
JP D1526470 * 6/2015
KR 10-1995-0003546 2/1995
KR 20-1999-0001638 1/1999
KR 10-2001-0073392 8/2001
KR 10-2013-0085276 7/2013
WO WO9615706 5/1996
WO WO03001954 1/2003
WO WO2005031952 4/2005
WO WO2006104651 10/2006

(56)

References Cited

FOREIGN PATENT DOCUMENTS

WO	WO2006124051	11/2006
WO	WO2007061967	5/2007

OTHER PUBLICATIONS

Available Mar. 27, 2017, [online], [site visited May 4, 2018]. Available from Internet, URL:https://www.amazon.com/Vitamix-56085-48-Ounce-Container/dp/B00JLG0UL8/ref=sr_1_1_sspa> (Year: 2018).*

Available Aug. 15, 2017, [online], [site visited May 4, 2018]. Available from Internet, URL:https://www.amazon.com/Vitamix-Ascent-48-Ounce-Container/dp/B0754PK8CR?ref=ast_p_ei> (Year: 2017).*

Available Dec. 2017, [online], [site visited May 4, 2018]. Available from Internet, URL:https://www.vitamix.com/us/en_US/shop/48-ounce-container-with-self-detect> (Year: 2017).*

Available May 4, 2018, [online], [site visited May 4, 2018]. Available from Internet, URL:<https://www.bestbuy.com/site/vitamix-48-oz-container-for-vitamix-ascent-series-blenders-transparent-black/6112105.p>> (Year: 2018).*

Available Jan. 3, 2018, [online], [site visited May 4, 2018]. Available from Internet, URL:<https://www.bedbathandbeyond.com/store/product/vitamix-reg-ascent-trade-48-oz-wet-blade-container/1062788076>> (Year: 2018).*

Copenheaver, Blaine, International Search Report and Written Opinion, PCT/US2014/029134, dated Aug. 1, 2014, International Search Authority/USA.

Young, Lee W., International Search Report and Written Opinion, PCT/US2014/029384, dated Aug. 11, 2014, International Search Authority/USA.

Gaggia Espanola, S.A., ipanerma, brochure, undated.

Gaggia Espanola, S.A., Copacabana, brochure, undated.

Gaggia Espanola, S.A., ipanema Space-Saving High Technology, brochure, undated.

Young, Lee, International Search Report and Written Opinion, PCT/US2015/020769, dated Jun. 17, 2015, ISA/US, Alexandria, Virginia.

International Search Report for PCT/US2015/021663 dated Jun. 25, 2015.

Annex to Form PCT/ISA/206 Communication Relating to the Results of the Partial International Search (International Application No. PCT/US2009/001077—1 page from communication dated Jun. 29, 2009).

* cited by examiner

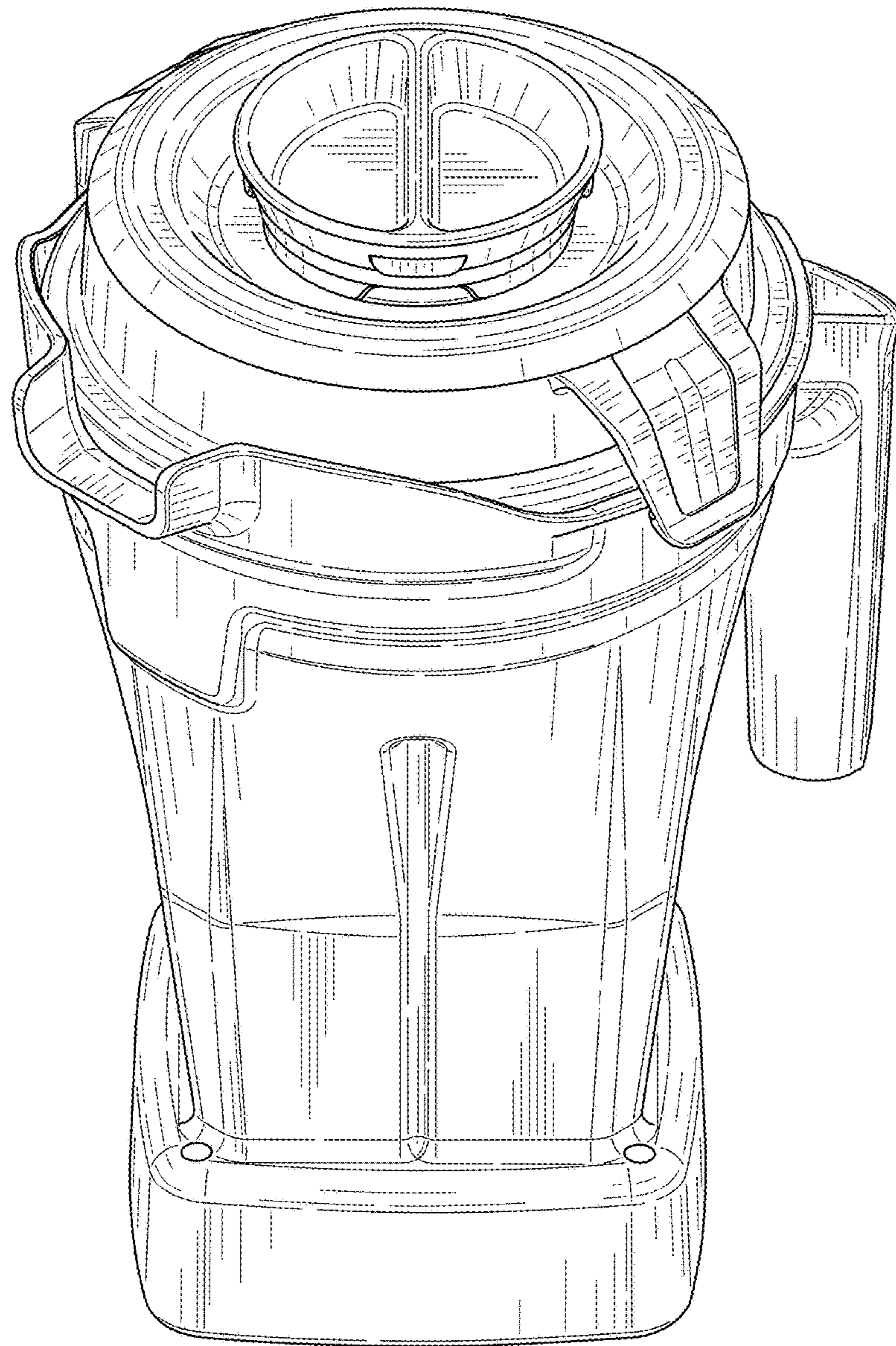


FIG. 1

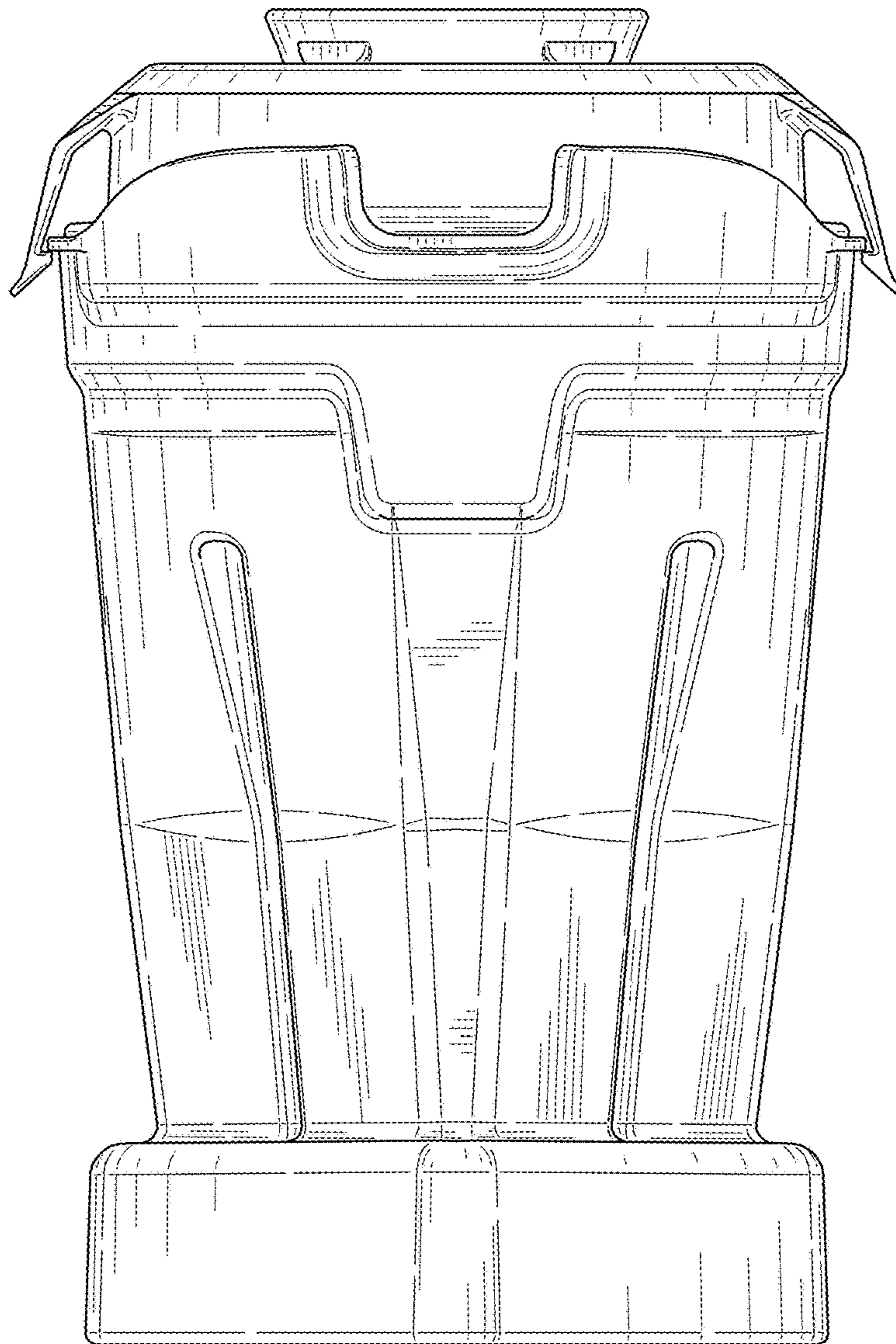


FIG. 2

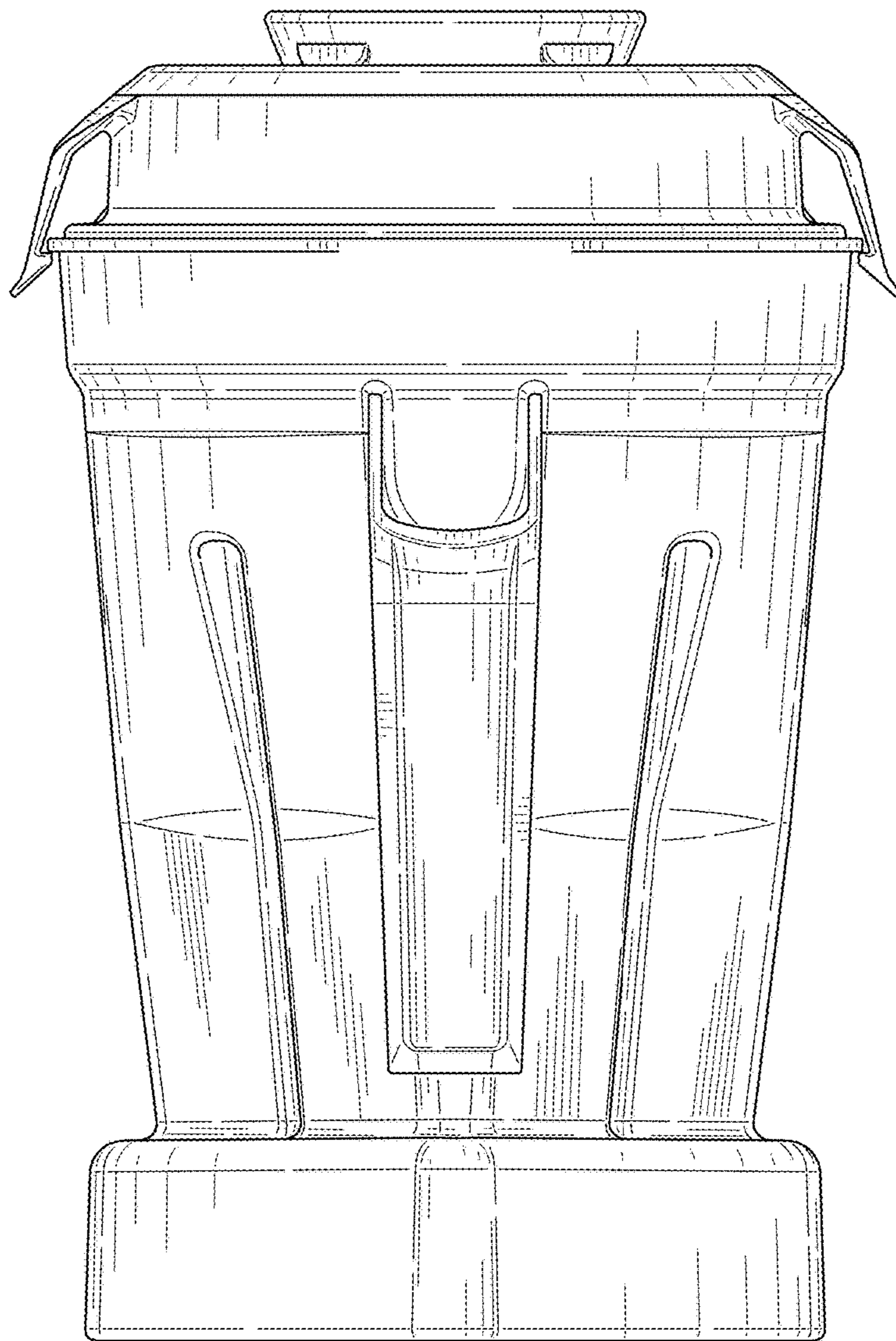


FIG. 3

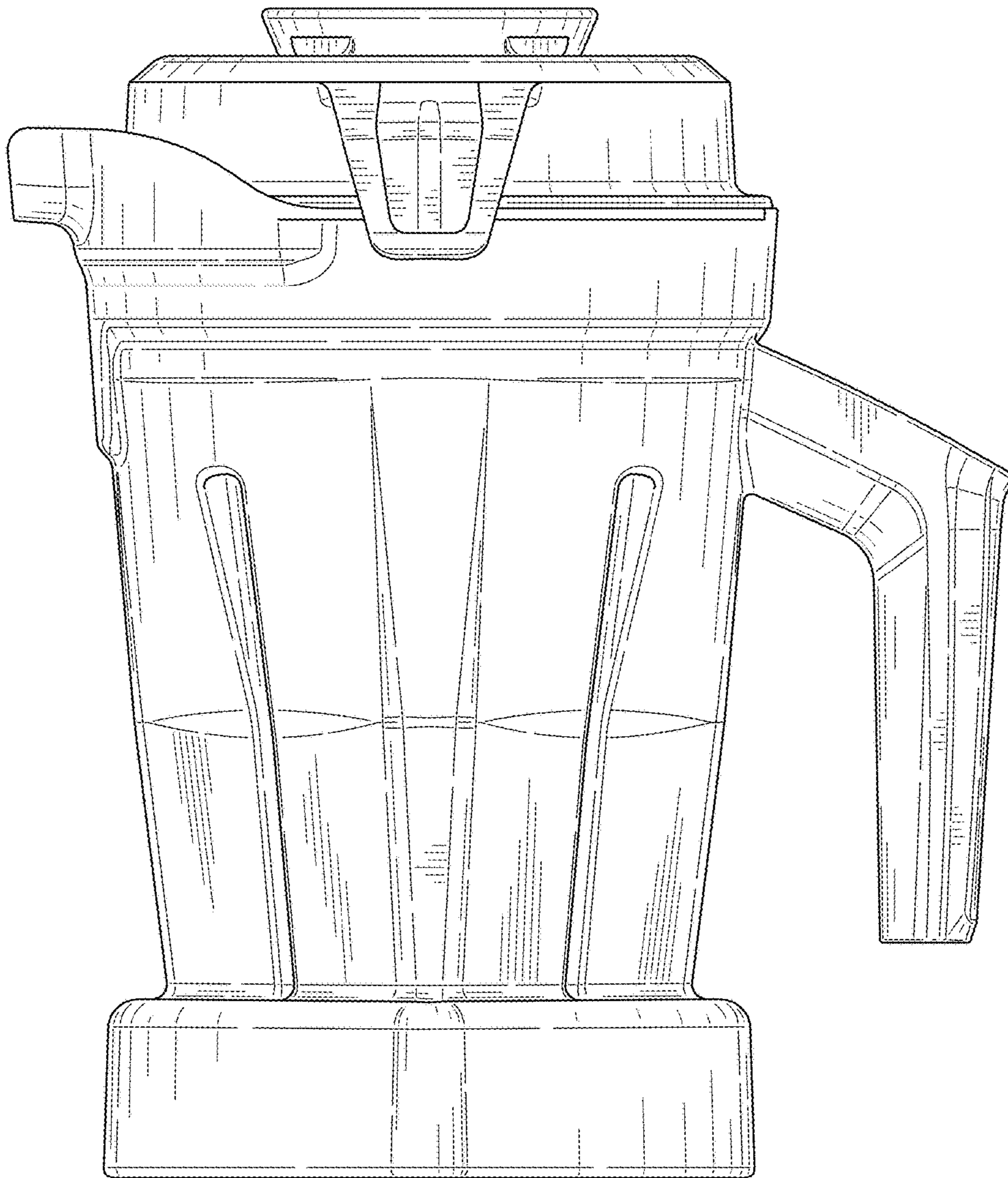


FIG. 4

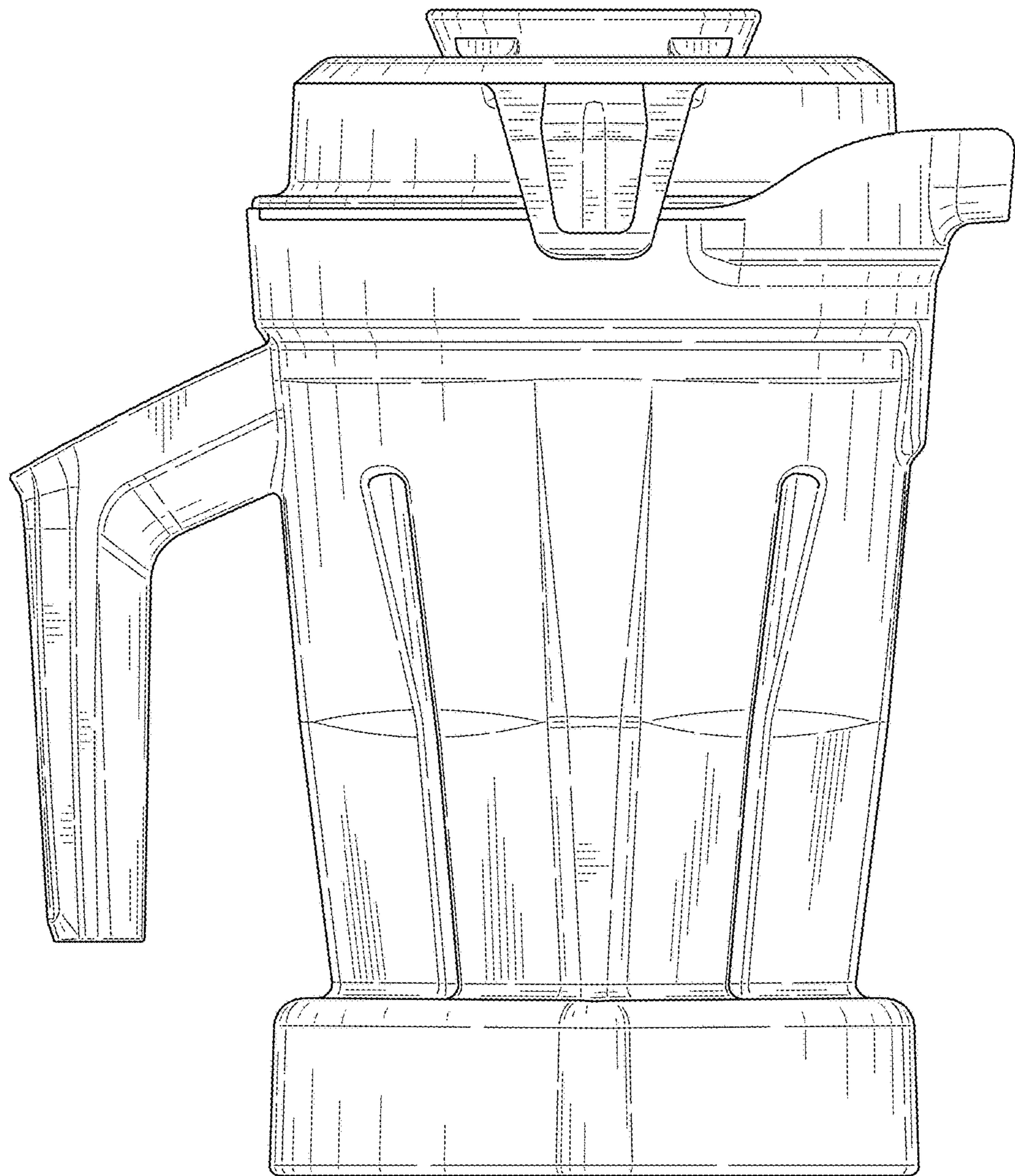


FIG. 5

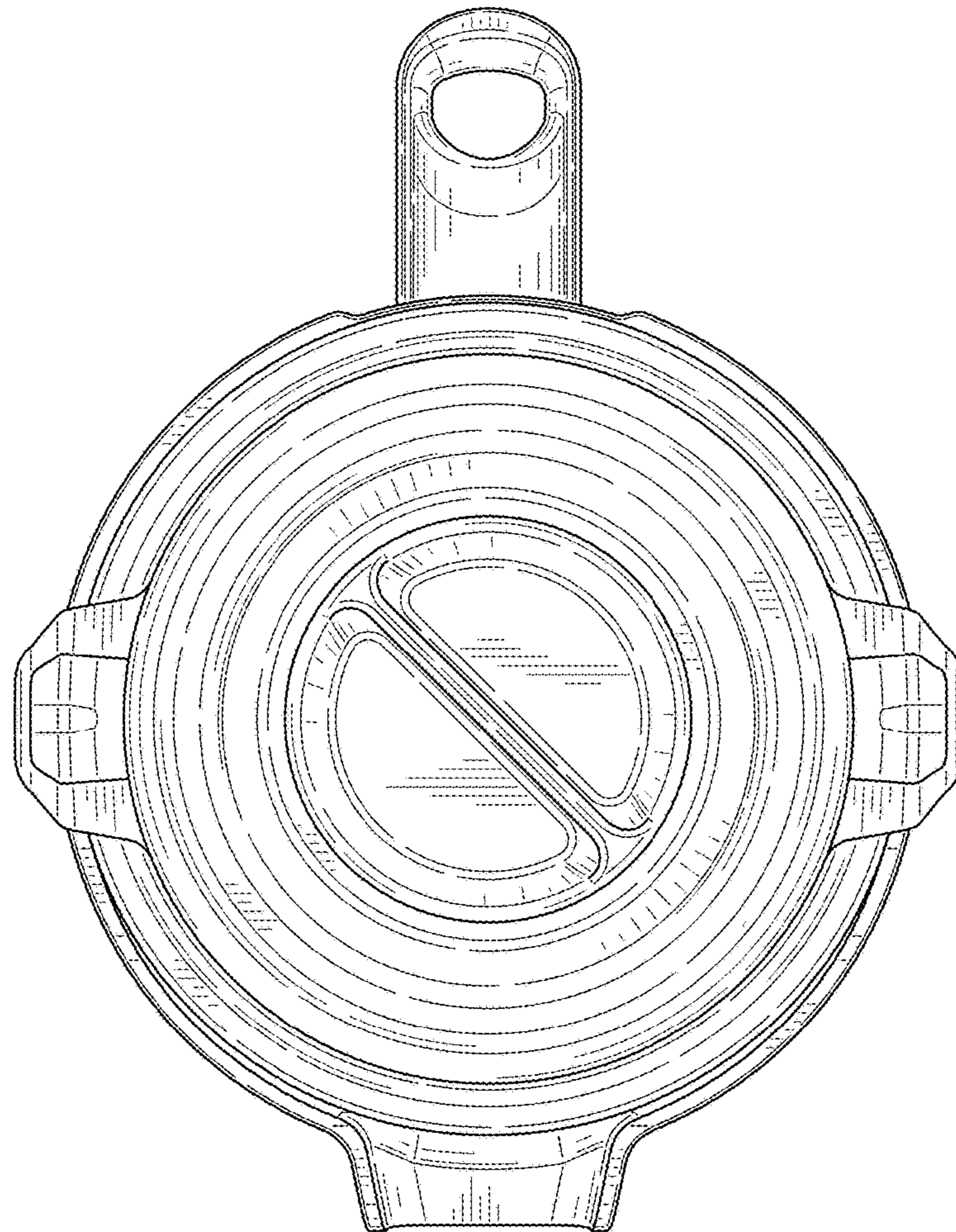


FIG. 6

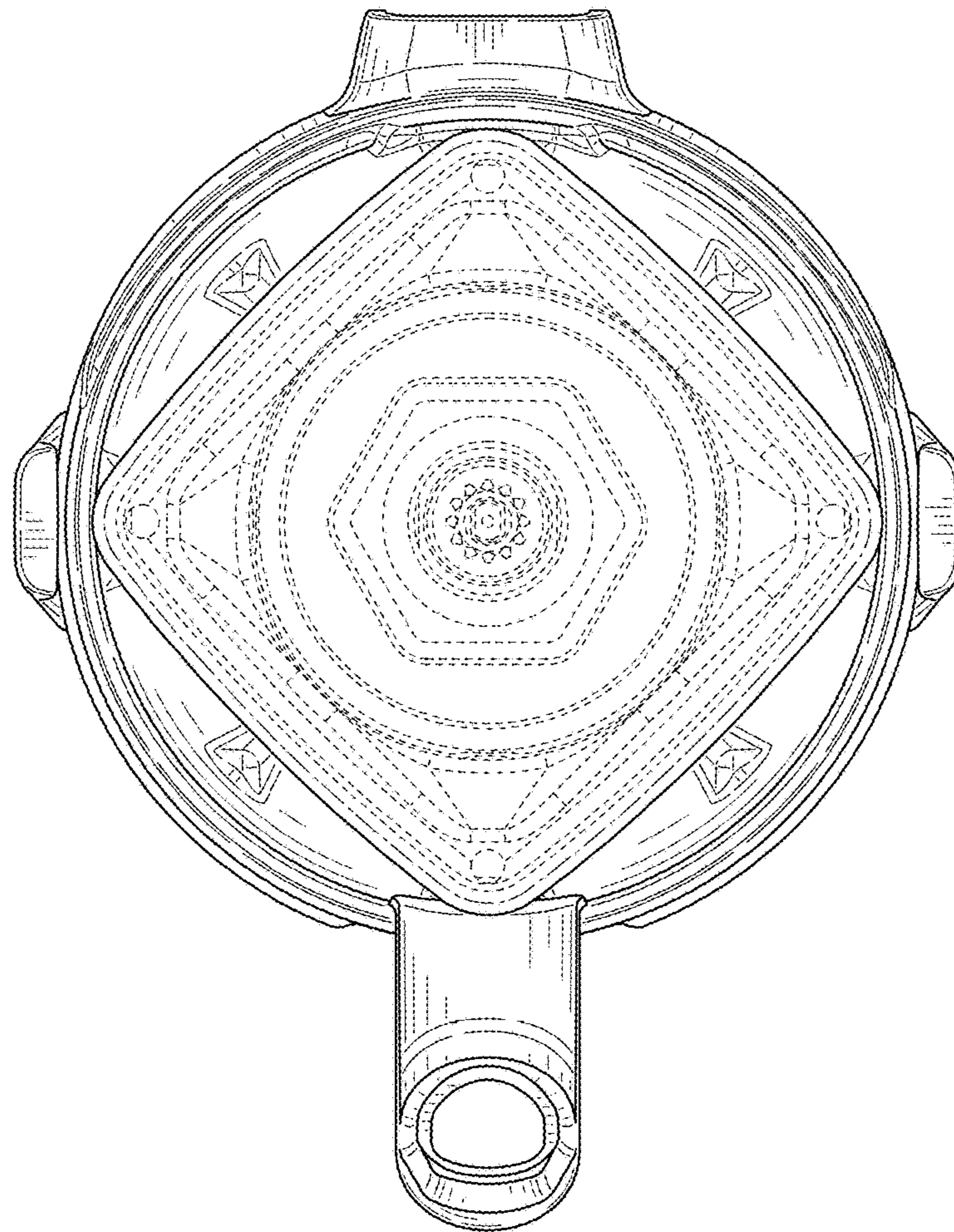


FIG. 7