



US00D839669S

(12) **United States Design Patent**  
**Bentz**

(10) **Patent No.:** **US D839,669 S**

(45) **Date of Patent:** **\*\* Feb. 5, 2019**

(54) **OVEN CORNER**

(71) Applicant: **Fusion Tech Integrated, Inc.**,  
Roseville, IL (US)

(72) Inventor: **Brandon Bentz**, Roseville, IL (US)

(73) Assignee: **Fusion Tech Integrated, Inc.**,  
Roseville, IL (US)

(\*\*) Term: **15 Years**

(21) Appl. No.: **29/585,431**

(22) Filed: **Nov. 23, 2016**

(51) **LOC (11) Cl.** ..... **07-02**

(52) **U.S. Cl.**  
USPC ..... **D7/402**

(58) **Field of Classification Search**  
USPC ..... D7/339; D25/58, 119, 123, 154  
CPC ... A21B 2/00; F24C 7/00; F24C 7/002; F24C  
7/046; F24C 7/067; F24C 15/02; F24C  
15/04; F24C 15/10; F24C 15/102; G07F  
9/02; H01F 27/02; A47J 37/00; A47J  
37/06; A47J 37/0611; A47J 37/08; A47J  
37/0807; A47J 37/0814; A47J 37/0835;  
A47J 37/0842; A47J 37/085; A47J  
37/0864; A47J 37/0878; A47J 37/0885;  
A47J 37/0892

See application file for complete search history.

(56) **References Cited**

**U.S. PATENT DOCUMENTS**

- 3,303,619 A \* 2/1967 Janecek ..... F27D 1/00  
110/336
- 3,503,111 A \* 3/1970 Janecek ..... B21D 49/00  
29/243.58
- 3,511,006 A \* 5/1970 Medow ..... E04B 2/7407  
52/238.1
- 4,518,352 A \* 5/1985 Gillhaus ..... C21D 1/767  
34/222

- 5,971,589 A \* 10/1999 Hazama ..... G05B 19/4097  
700/145
- 6,074,206 A \* 6/2000 Lauersdorf ..... F27D 1/00  
110/331
- 6,522,979 B1 \* 2/2003 Yavari ..... B21D 22/00  
702/33
- 6,532,625 B1 \* 3/2003 Stone ..... A47H 1/06  
16/87.4 R
- 6,965,077 B2 \* 11/2005 Halbert ..... H02G 3/20  
174/135
- 8,078,305 B2 \* 12/2011 Liu ..... G05B 19/40937  
219/121.72
- 8,830,223 B2 \* 9/2014 Evans ..... G06F 17/50  
345/419

(Continued)

*Primary Examiner* — Michael A. Pratt

(74) *Attorney, Agent, or Firm* — Zarley Law Firm, P.L.C.

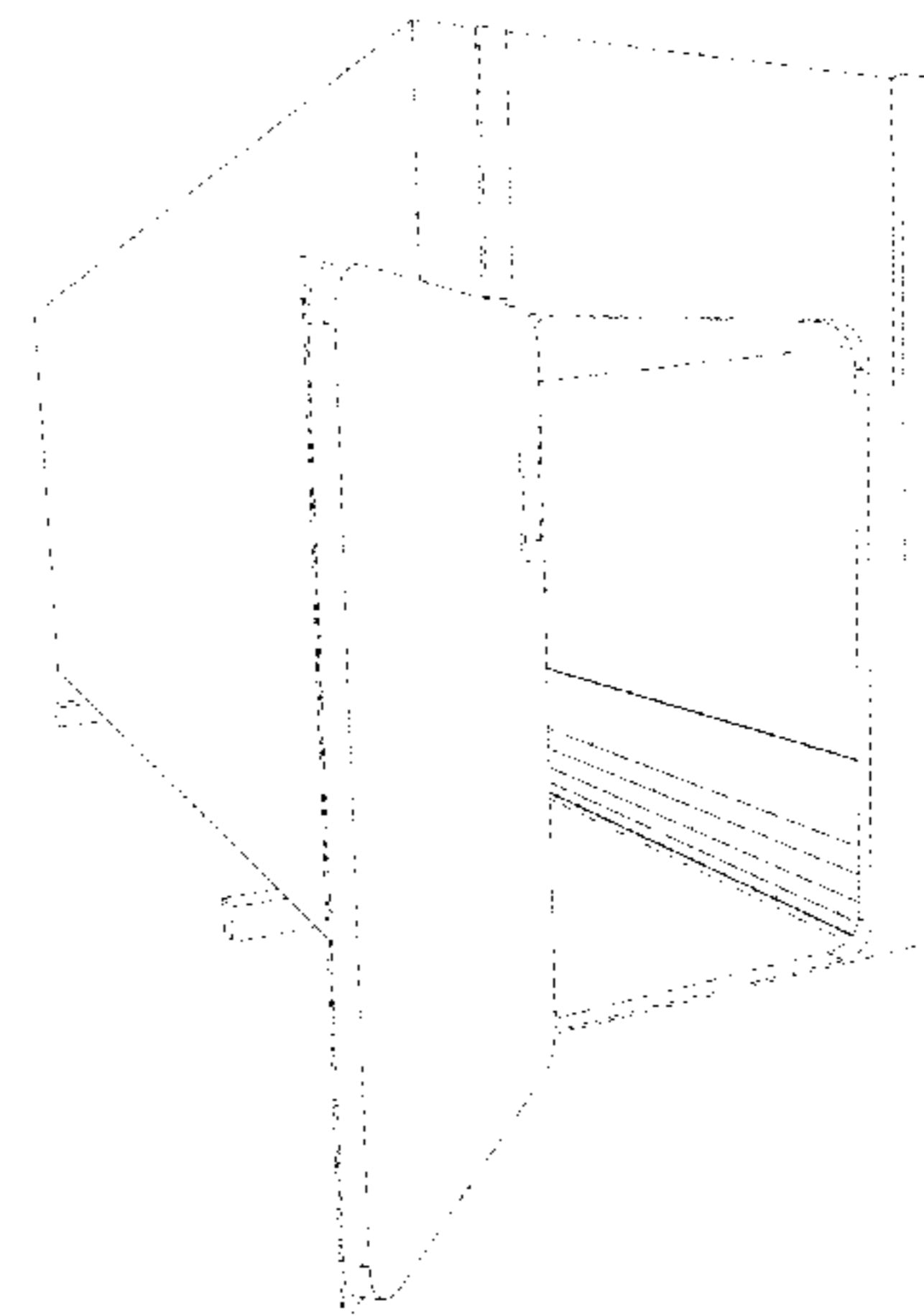
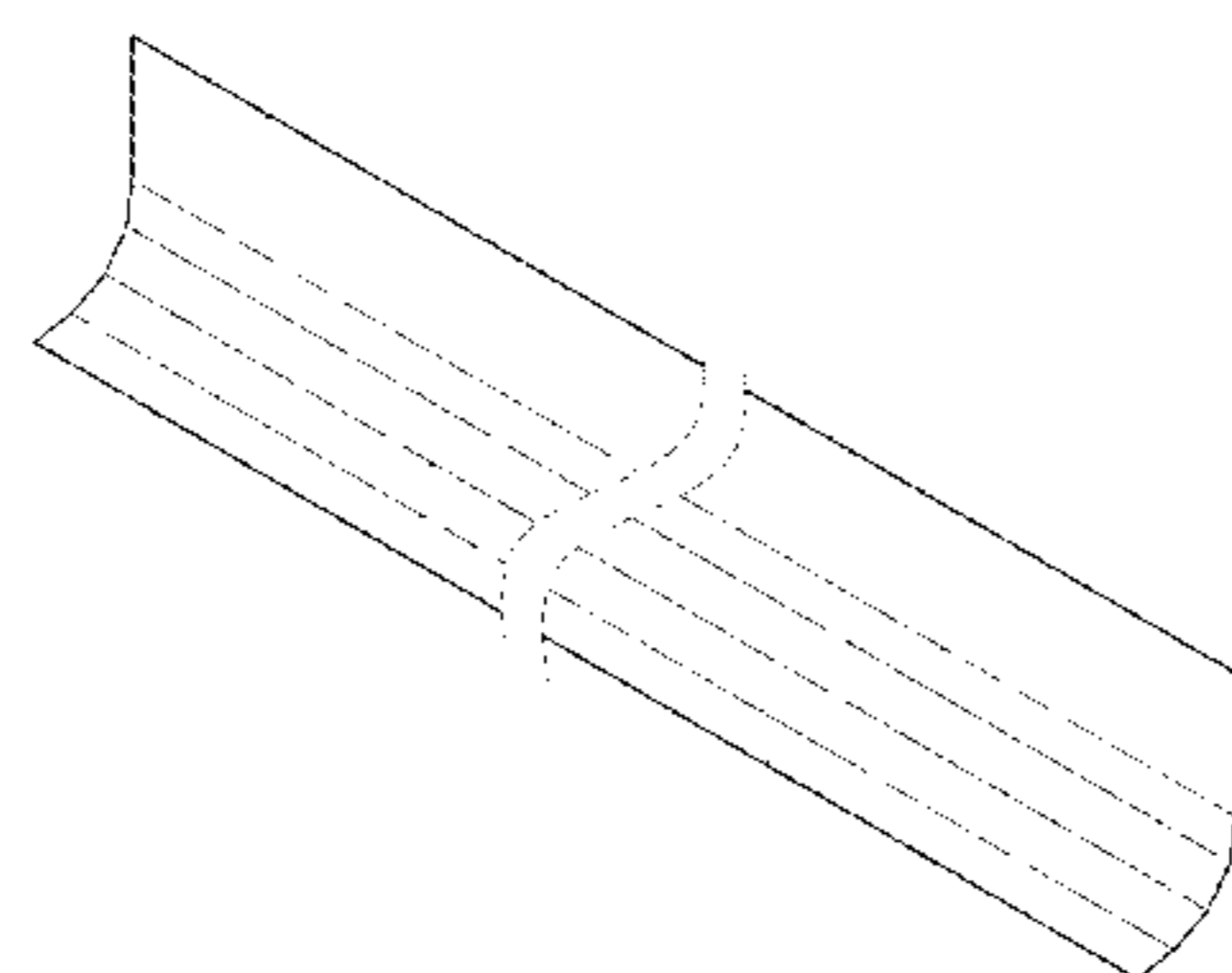
(57) **CLAIM**

I claim the ornamental design for an oven corner, substan-  
tially as shown and described.

**DESCRIPTION**

FIG. 1 is a top, front perspective view of an oven corner;  
FIG. 2 is a front side view of an oven corner;  
FIG. 3 is a back side view of an oven corner;  
FIG. 4 is a right side view of an oven corner;  
FIG. 5 is a left side view of an oven corner;  
FIG. 6 is a top side view of an oven corner;  
FIG. 7 is a bottom side view of an oven corner; and,  
FIG. 8 is a top, front perspective view of an oven corner, the  
view showing the design of the oven corner within an oven.  
The broken lines showing portions of the design in all  
figures is included for the purpose of illustrating environ-  
ment and unclaimed features and forms not part of the  
claimed design. In FIGS. 1 through 7 of the oven corner is  
shown with a symbolic break in its length. The appearance  
of any portion of the oven corner between the break lines  
forms no part of the claimed design.

**1 Claim, 5 Drawing Sheets**



(56)

**References Cited**

U.S. PATENT DOCUMENTS

9,989,182 B2 \* 6/2018 Lowe ..... F16L 41/084  
9,995,074 B2 \* 6/2018 Hoffman ..... E05F 1/10

\* cited by examiner

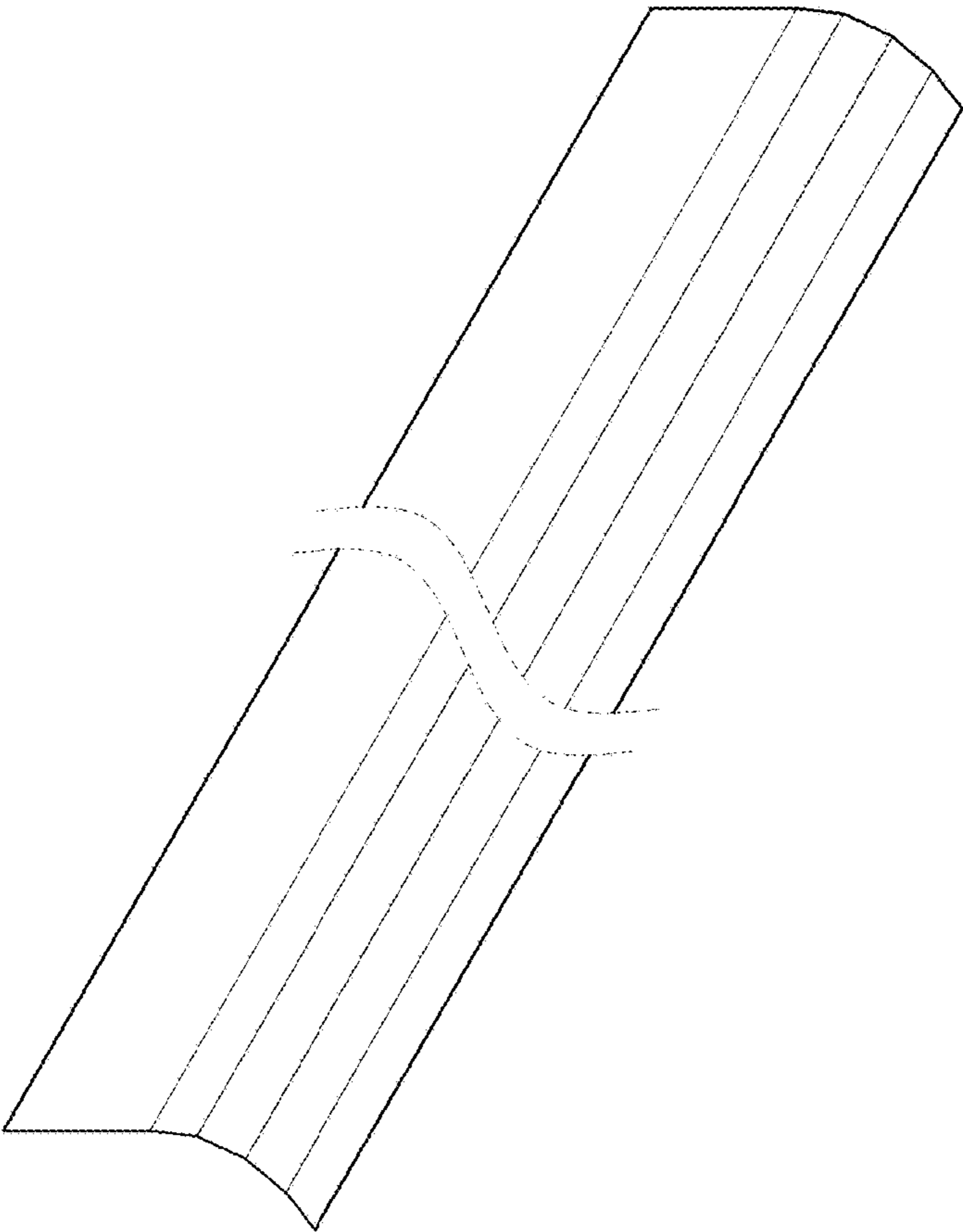


FIG. 1

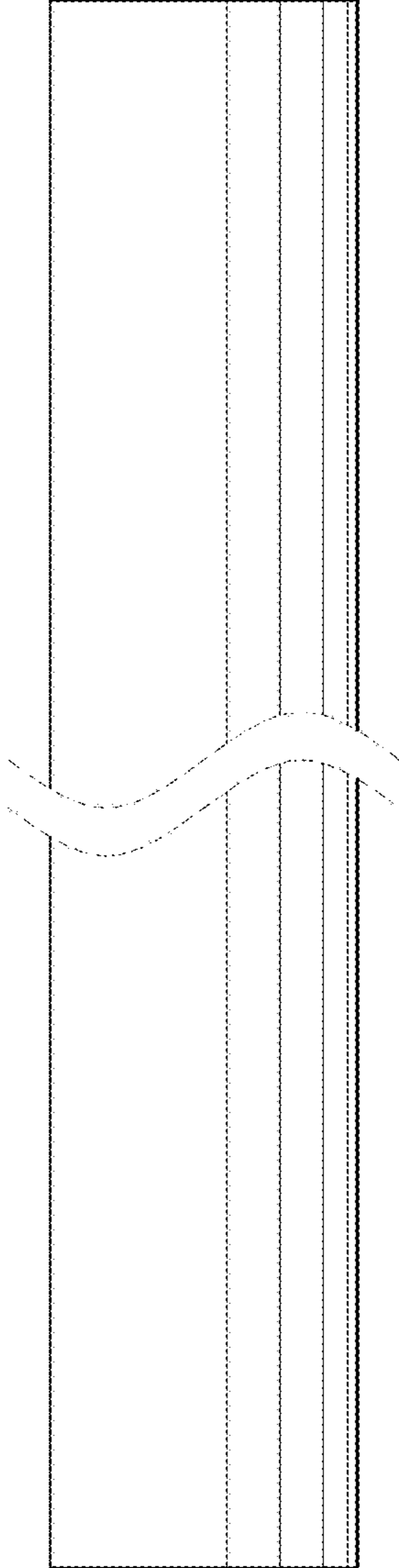


FIG. 2

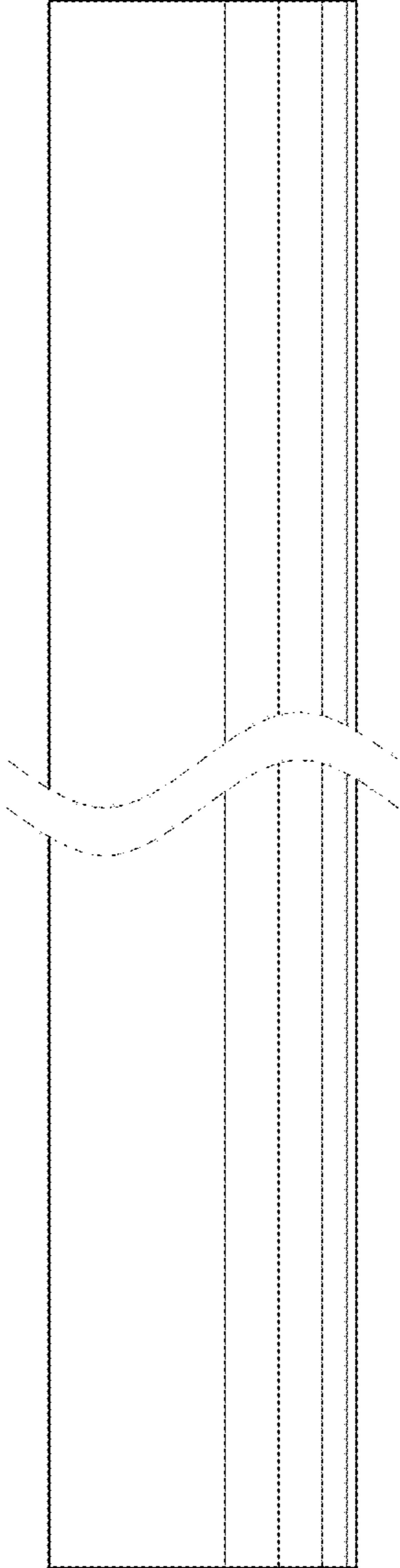


FIG. 3

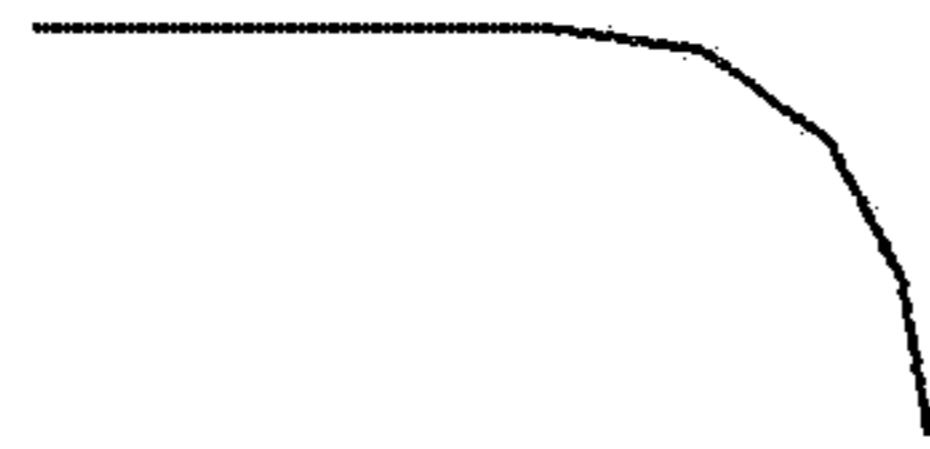


FIG. 4



FIG. 5

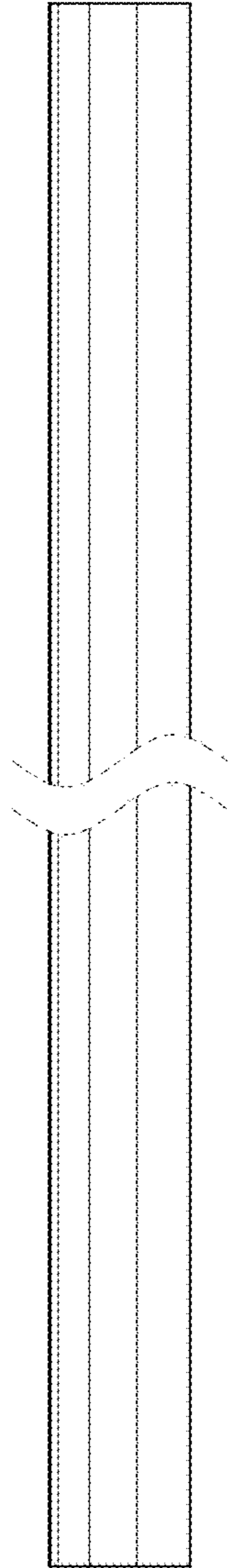


FIG. 6

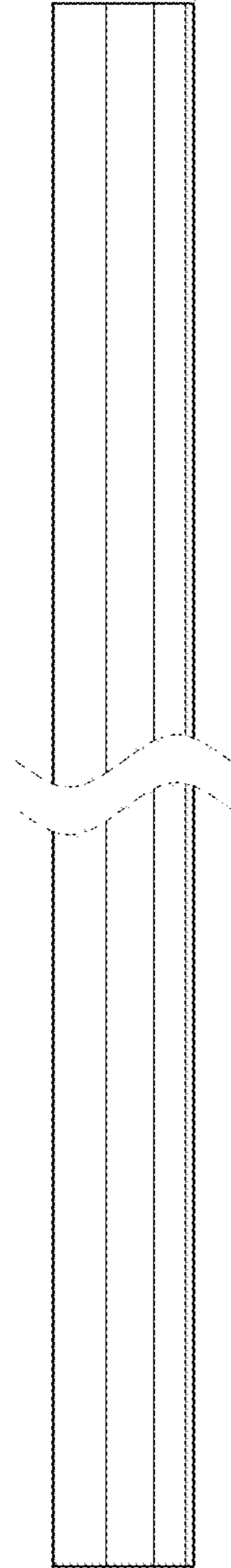


FIG. 7

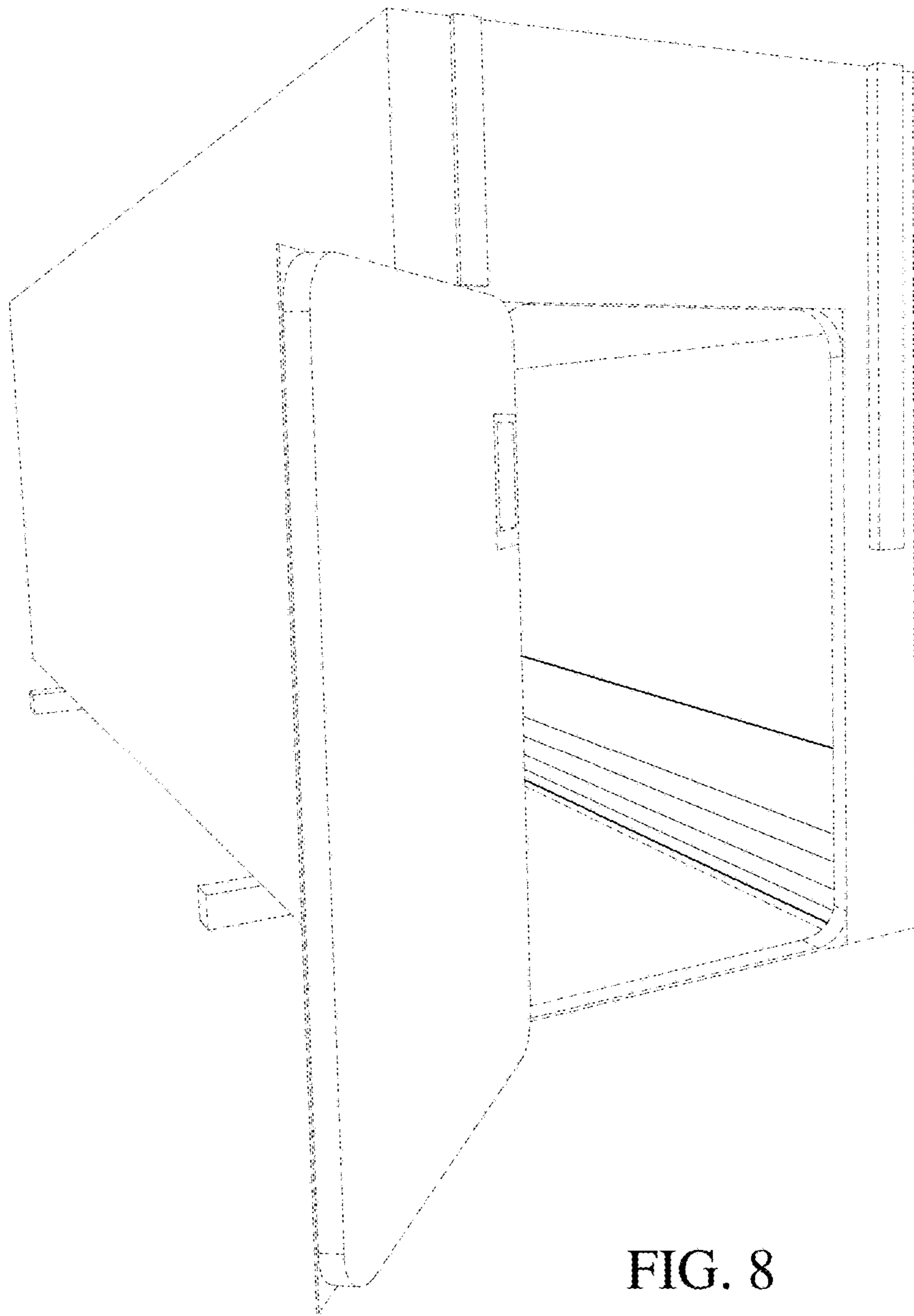


FIG. 8