



US00D839667S

(12) **United States Design Patent** (10) **Patent No.:** **US D839,667 S**
Pola et al. (45) **Date of Patent:** **** Feb. 5, 2019**

(54) **SHAKER TOP**

(71) Applicants: **Richard Pola**, Hermosa Beach, CA (US); **Adrian Miranda**, Torrance, CA (US); **Omar Khalid**, Redondo Beach, CA (US); **Ashley Pola**, Hermosa Beach, CA (US)

(72) Inventors: **Richard Pola**, Hermosa Beach, CA (US); **Adrian Miranda**, Torrance, CA (US); **Omar Khalid**, Redondo Beach, CA (US); **Ashley Pola**, Hermosa Beach, CA (US)

(**) Term: **15 Years**

(21) Appl. No.: **29/618,749**

(22) Filed: **Sep. 22, 2017**

(51) **LOC (11) Cl.** **07-99**

(52) **U.S. Cl.**
USPC **D7/397**; D7/300.1

(58) **Field of Classification Search**
USPC D7/97, 398, 300.1, 305, 509, 511, 514, D7/515, 538, 539; D2/865, 866, 869, D2/872, 876; D21/780, 483; D29/102, D29/104
CPC A42B 3/00; A42B 1/08; A42B 1/02; A42B 3/06
See application file for complete search history.

(56) **References Cited**

U.S. PATENT DOCUMENTS

D371,224 S *	6/1996	Carlson	D29/102
D418,279 S *	1/2000	Day	D2/882
D481,524 S *	11/2003	Myers	D2/882
D673,329 S *	12/2012	Batsch	D29/102
D690,470 S *	9/2013	Manson	D29/102
D720,566 S *	1/2015	Giraldez	D7/300.1
D743,149 S *	11/2015	Brandelli	D2/882
D754,422 S *	4/2016	Zenoff	D2/882
D759,352 S *	6/2016	Palmer	D2/882
D819,277 S *	5/2018	Karr	D29/102

D823,687 S *	7/2018	Kelly	D9/451
D825,112 S *	8/2018	Saez	D29/102
D825,150 S *	8/2018	Malcolm	D2/882
D825,242 S *	8/2018	Bosheng	D7/300.1
2012/0311772 A1 *	12/2012	Krause	A42B 1/08 2/410

OTHER PUBLICATIONS

Batting Helmet | posted at Amazon.com, posted on Apr. 3, 2016, © 1996-2018 Amazon.com, [online], [site visited Aug. 21, 2018]. Available from Internet, <URL:https://www.amazon.com/Batting-Helmet-Cream-Sundae-Yankees/dp/B01D8Z9Y8M/ref=sr_1_4?ie=UTF8&qid=1534889518&sr=8-4&keywords=mini+baseball+helmet> (Year: 2016).*

* cited by examiner

Primary Examiner — Derrick E Holland

Assistant Examiner — Andrew Kerr

(74) *Attorney, Agent, or Firm* — Law Office of David Hong

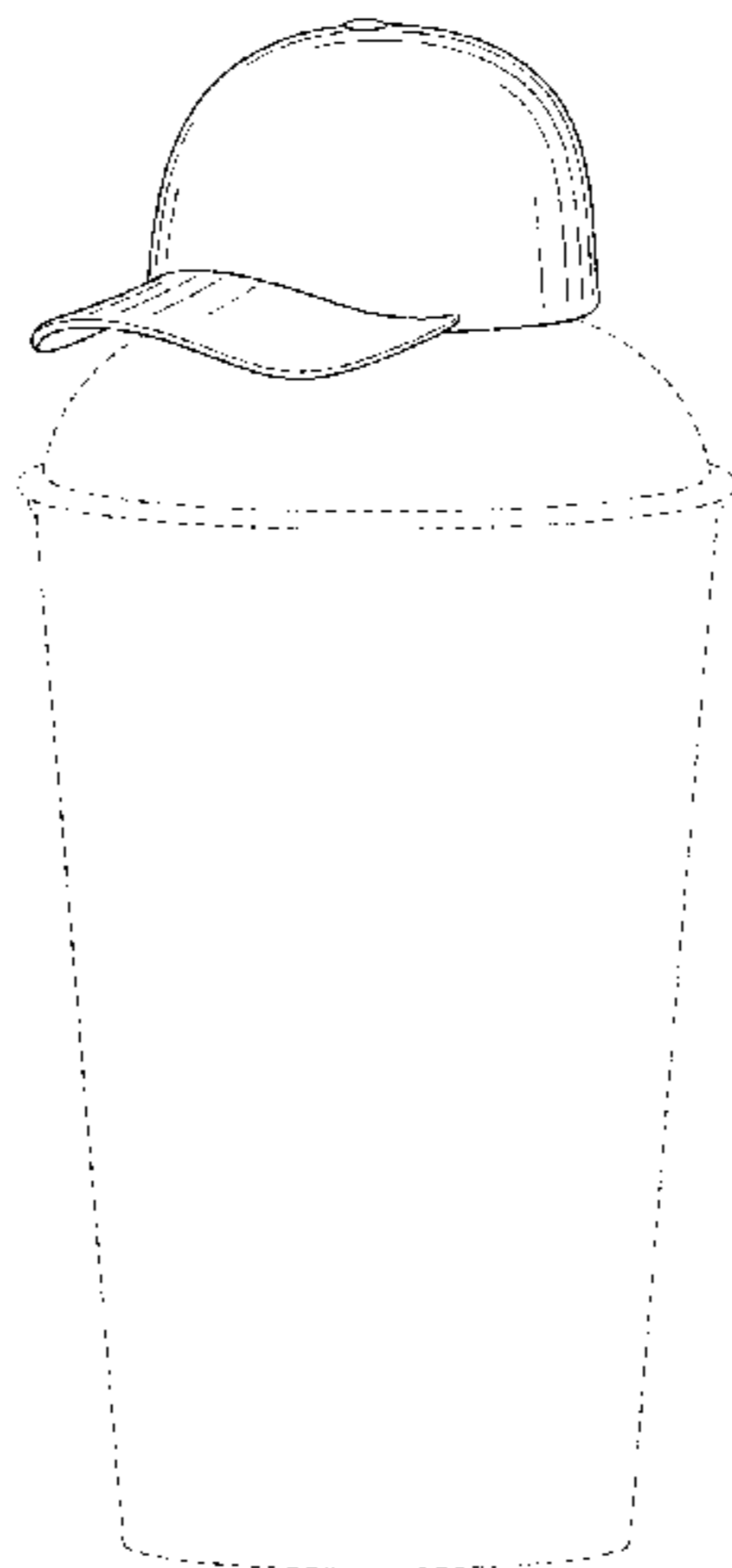
(57) **CLAIM**

The ornamental design for a shaker top, as shown and described.

DESCRIPTION

FIG. 1 is a front perspective view of my new design for a shaker top;
FIG. 2 is a bottom perspective view thereof;
FIG. 3 is a rear elevational view thereof;
FIG. 4 is a front elevational view thereof;
FIG. 5 is first side elevational view thereof; the second side elevational view is a mirror image of FIG. 5;
FIG. 6 is a top view thereof; and,
FIG. 7 is a bottom view thereof.
The broken lines shown in the drawing views are included for the purpose of showing environmental structure that forms no part of the claimed design.

1 Claim, 3 Drawing Sheets



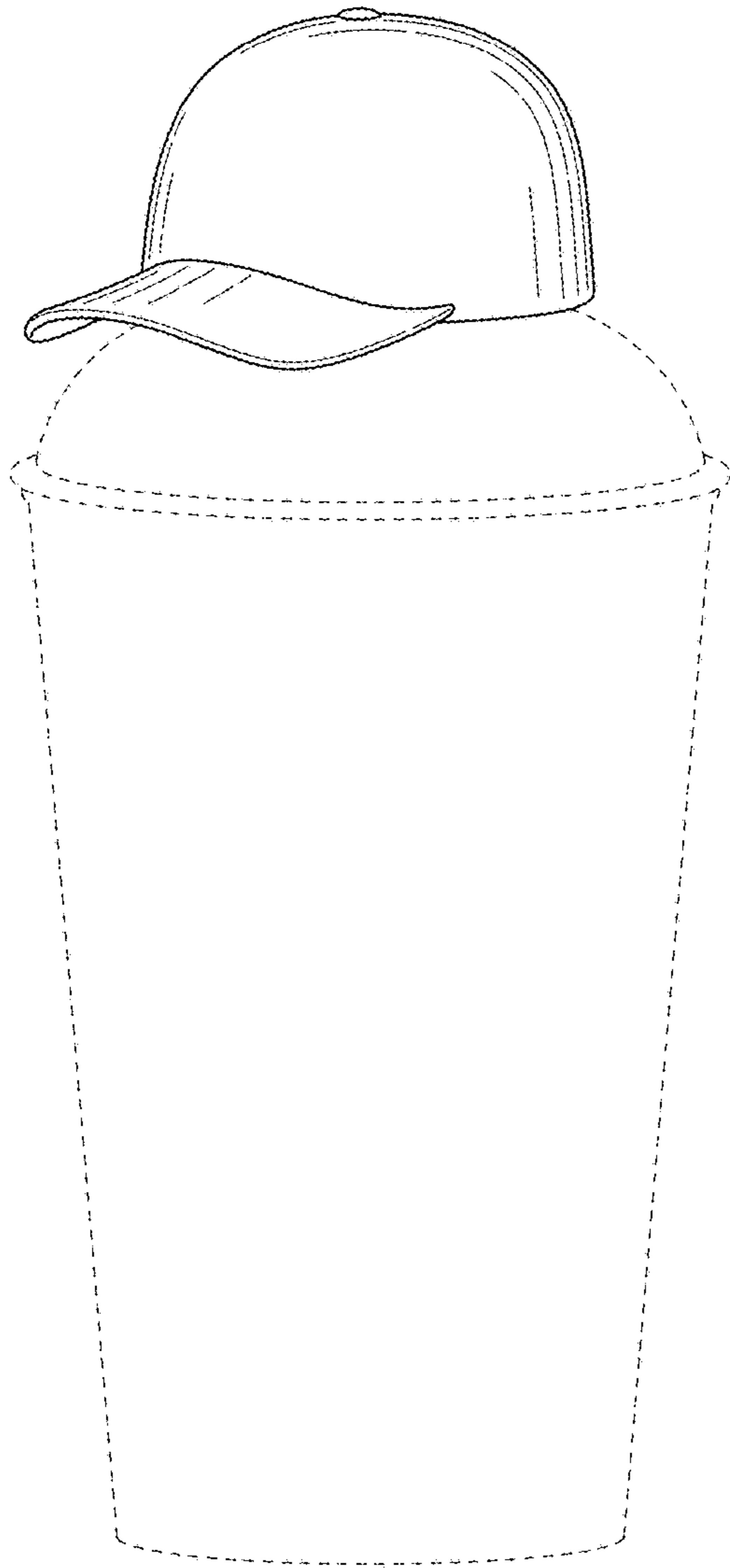


FIG. 1

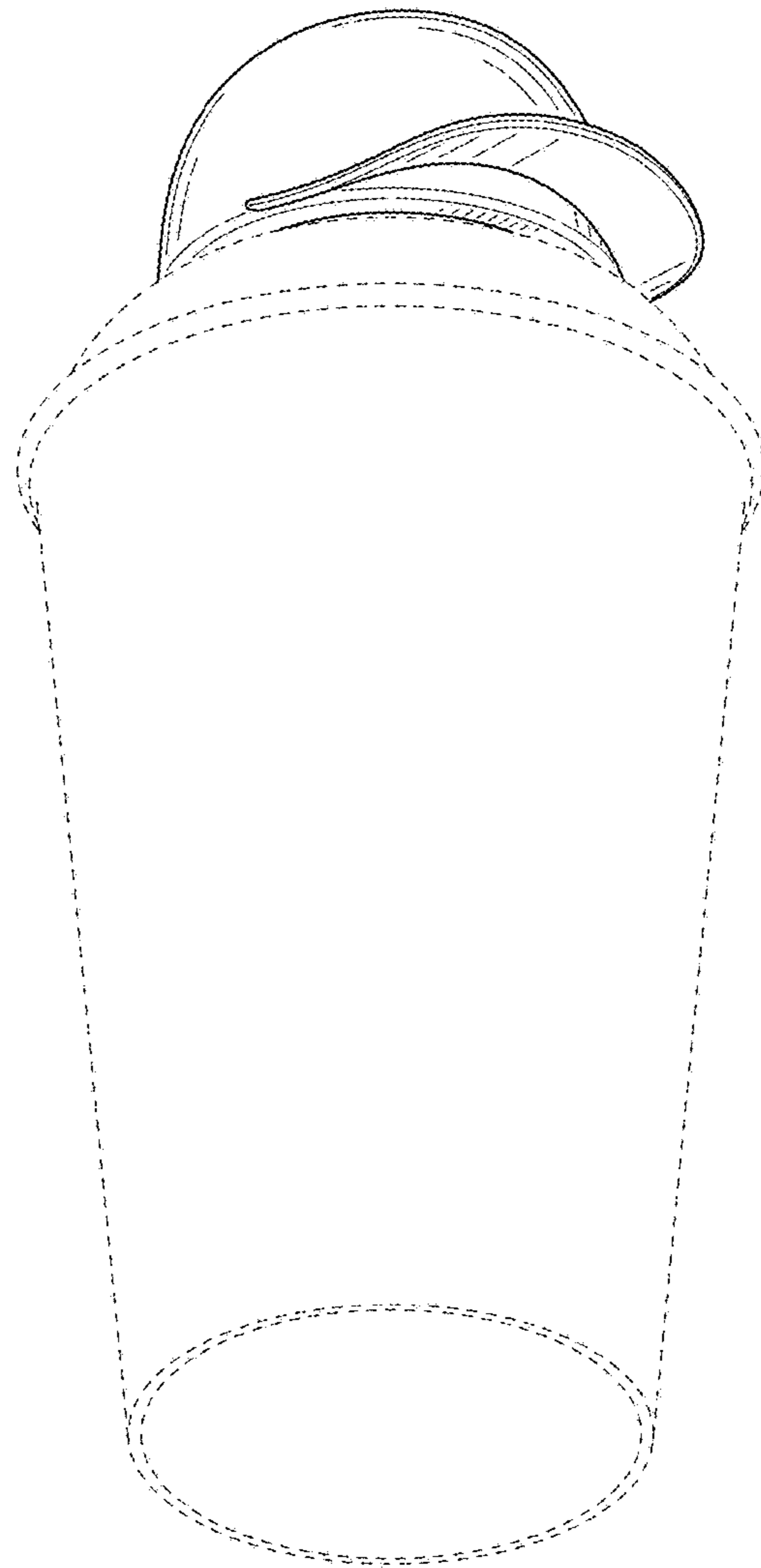


FIG. 2

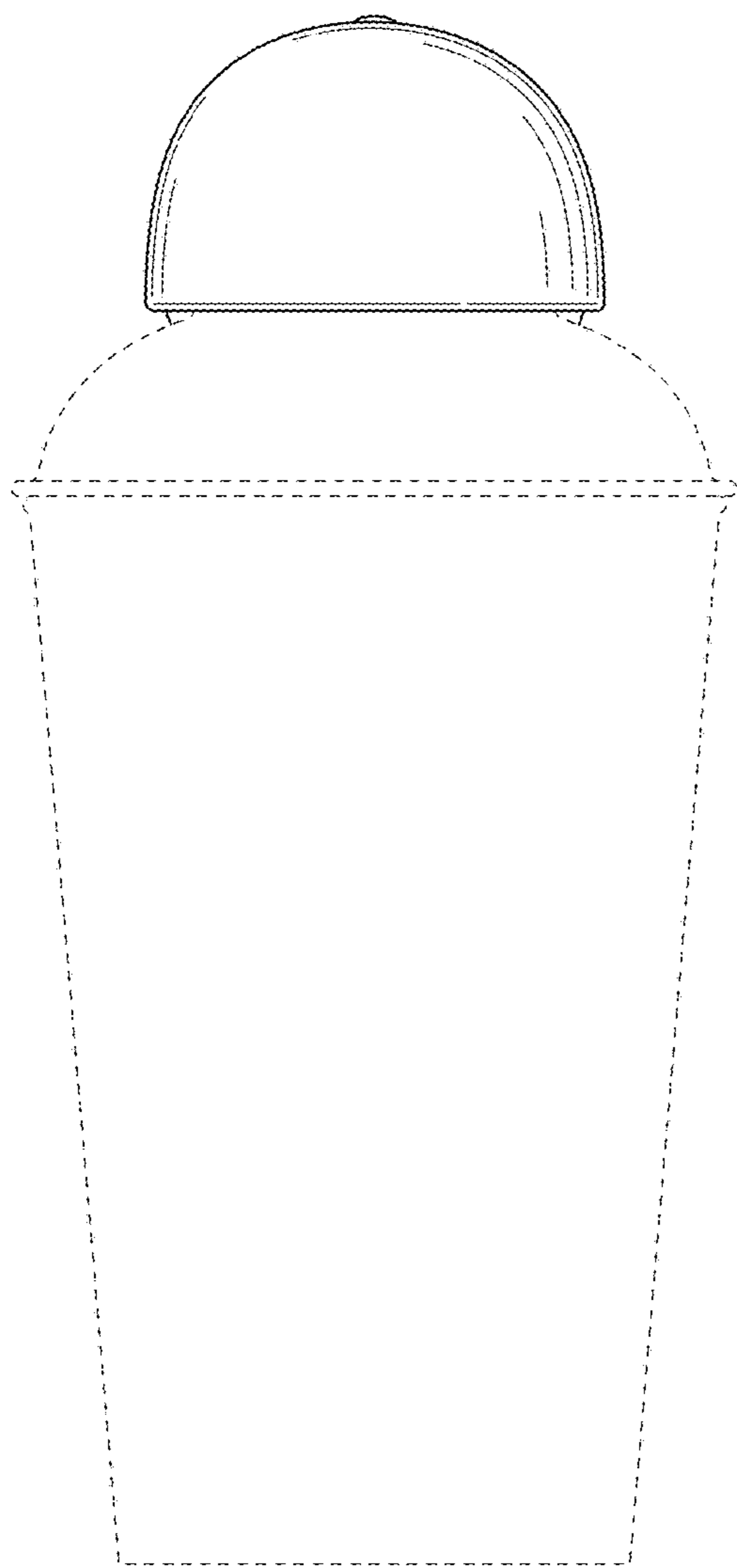


FIG. 3

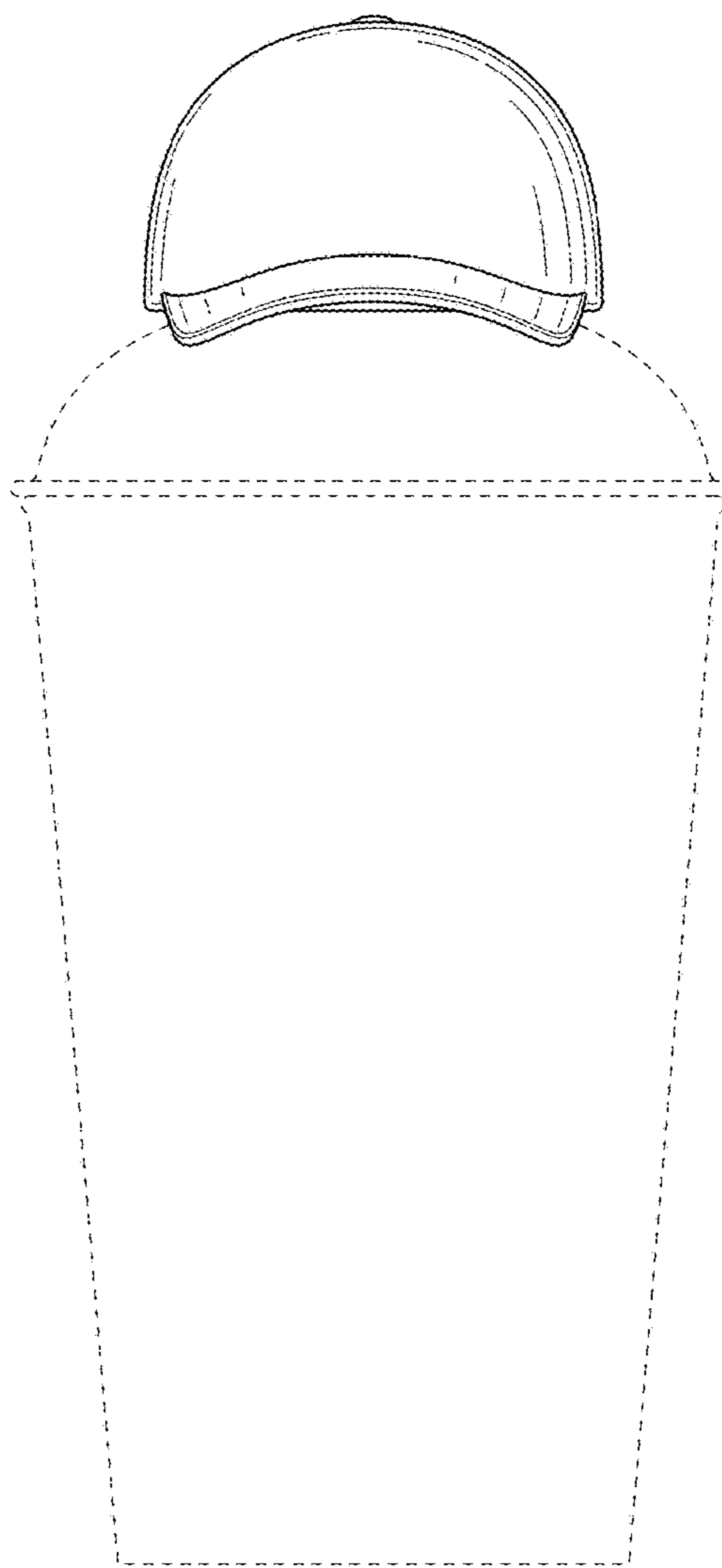


FIG. 4

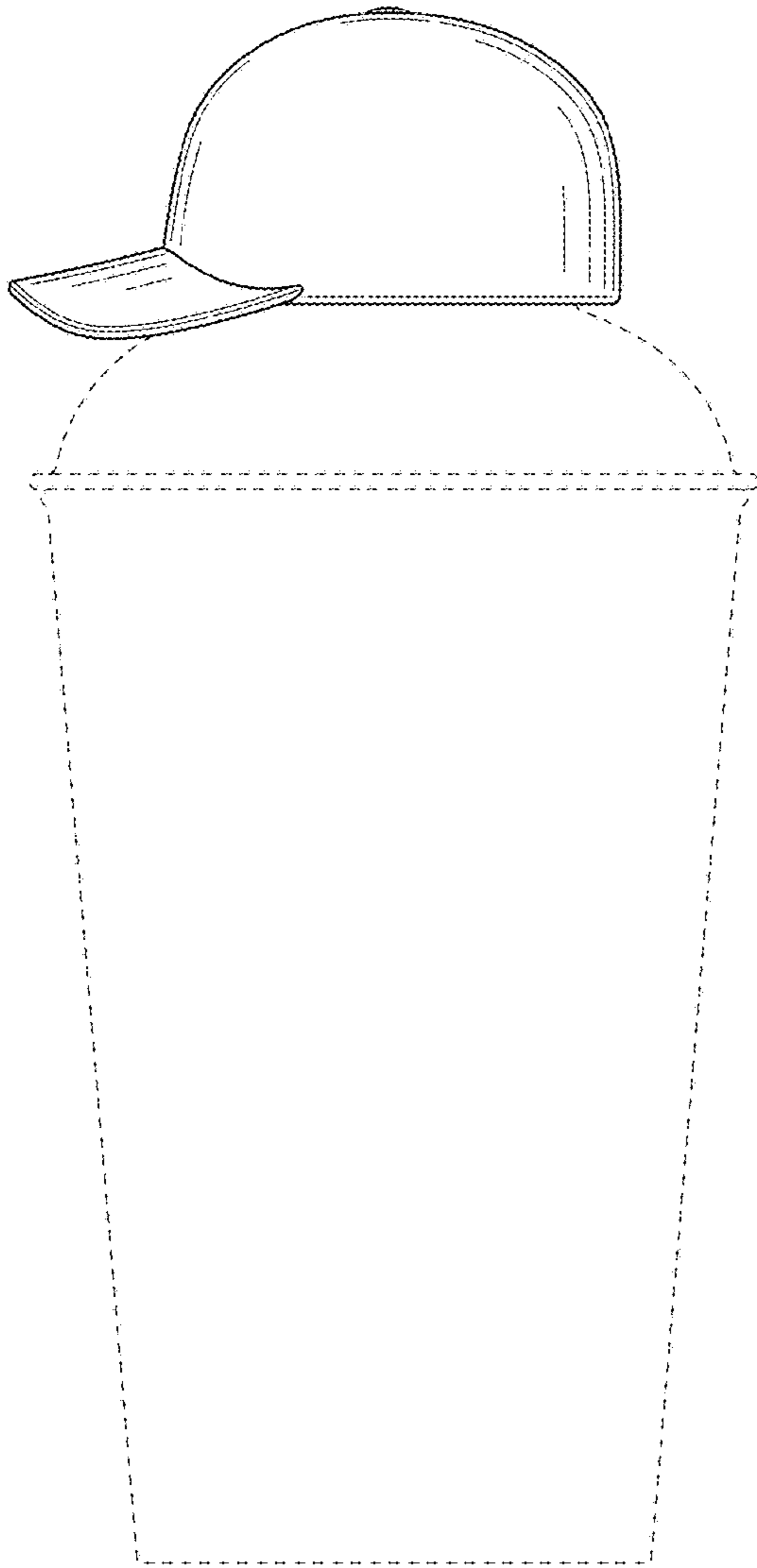


FIG. 5

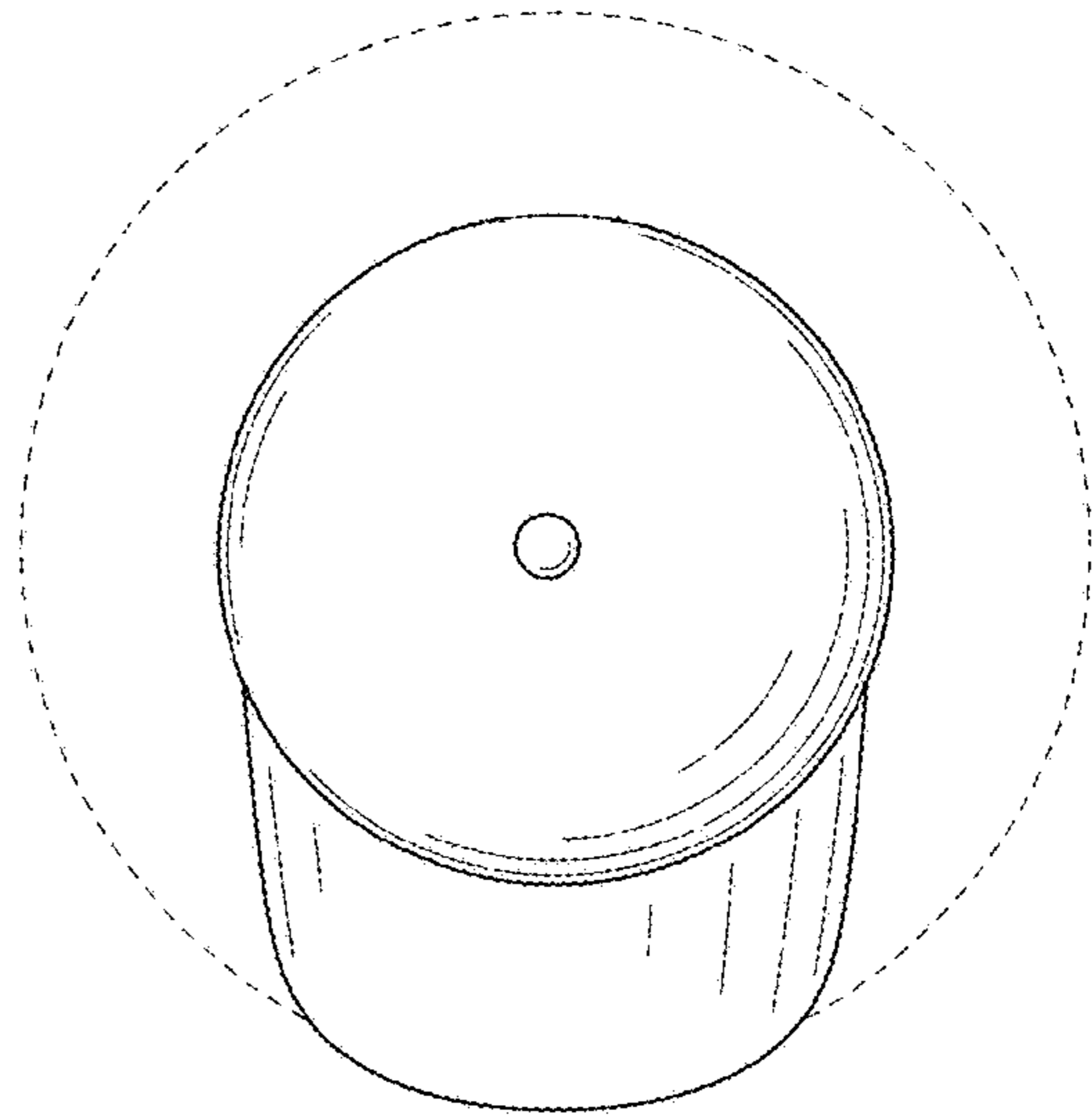


FIG. 6

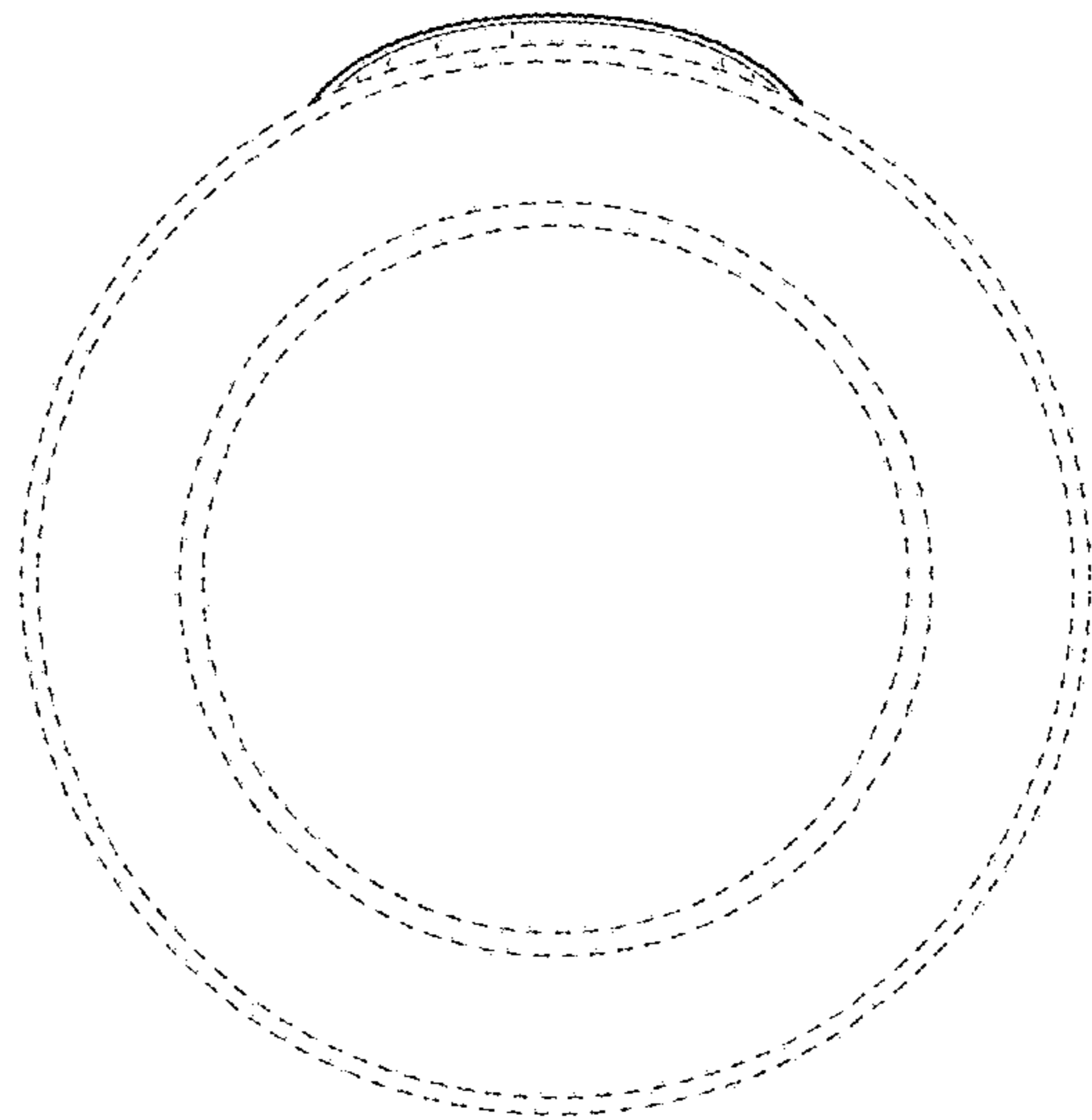


FIG. 7