



US00D839666S

(12) **United States Design Patent** (10) **Patent No.:** **US D839,666 S**  
**Bradshaw et al.** (45) **Date of Patent:** **\*\* Feb. 5, 2019**

(54) **CARAFE LID**  
(71) Applicant: **Spectrum Brands, Inc.**, Middleton, WI (US)  
(72) Inventors: **Luke Charles Bradshaw**, Kalmar (SE); **Francisco Javier Barquin**, Madison, WI (US)

(73) Assignee: **Spectrum Brands, Inc.**, Middleton, WI (US)

(\*\*) Term: **15 Years**

(21) Appl. No.: **29/596,842**

(22) Filed: **Mar. 10, 2017**

(51) **LOC (11) Cl.** ..... **07-01**

(52) **U.S. Cl.**  
USPC ..... **D7/396.2**

(58) **Field of Classification Search**  
USPC ..... D7/300, 300.1, 303, 316, 323, 387, 392, D7/392.1, 396.2, 397, 398, 509-511, 566, D7/317-319, 321, 399; D9/428, 430, D9/431, 434-436, 438-440, 443-447, D9/448-450, 452-454, 499, 549, 574, D9/715, 717-719, 738, 740, 742, 746, D9/763, 778-780; D23/260, 269, 390; D3/202, 203.1, 203.2, 318; D24/224; D28/76, 82, 88

CPC ..... A47J 31/00; A47G 19/22  
See application file for complete search history.

(56) **References Cited**

**U.S. PATENT DOCUMENTS**

D26,278 S \* 11/1896 Johnston ..... D9/443  
D267,783 S \* 2/1983 Lang ..... D7/624.1  
D271,945 S \* 12/1983 Ochs ..... D9/452  
D326,206 S 5/1992 Rakocy et al.  
D339,712 S 9/1993 Bunn et al.  
D369,058 S 4/1996 Simmons  
D389,369 S 1/1998 Hippen

D442,014 S 5/2001 Haring et al.  
D444,204 S 6/2001 Hilgers et al.  
D448,669 S \* 10/2001 Carducci ..... D9/454  
D454,025 S 3/2002 Kopczewski et al.  
6,561,390 B2 5/2003 Boyte et al.  
D481,254 S 10/2003 Lin  
D604,642 S \* 11/2009 Di Robilant ..... D9/780

(Continued)

**FOREIGN PATENT DOCUMENTS**

CN 300711498 11/2007  
CN 300731690 1/2008

(Continued)

**OTHER PUBLICATIONS**

Spectrum. CM2035-03 (Carafe Lid). 2018 [earliest online date], [site visited Apr. 12, 2018]. Available from Internet, <URL:https://spectrumbrandsparts.com/products/cm2035-03-carafe-lid-3>. (Year: 2018).\*

*Primary Examiner* — George D. Kirschbaum

*Assistant Examiner* — Darcey E Hefflin

(74) *Attorney, Agent, or Firm* — Banner & Witcoff, Ltd.

(57) **CLAIM**

The ornamental design for a carafe lid, as shown and described.

**DESCRIPTION**

FIG. 1 is a front perspective view of a carafe lid showing our new design;

FIG. 2 is a front view thereof;

FIG. 3 is a rear view thereof;

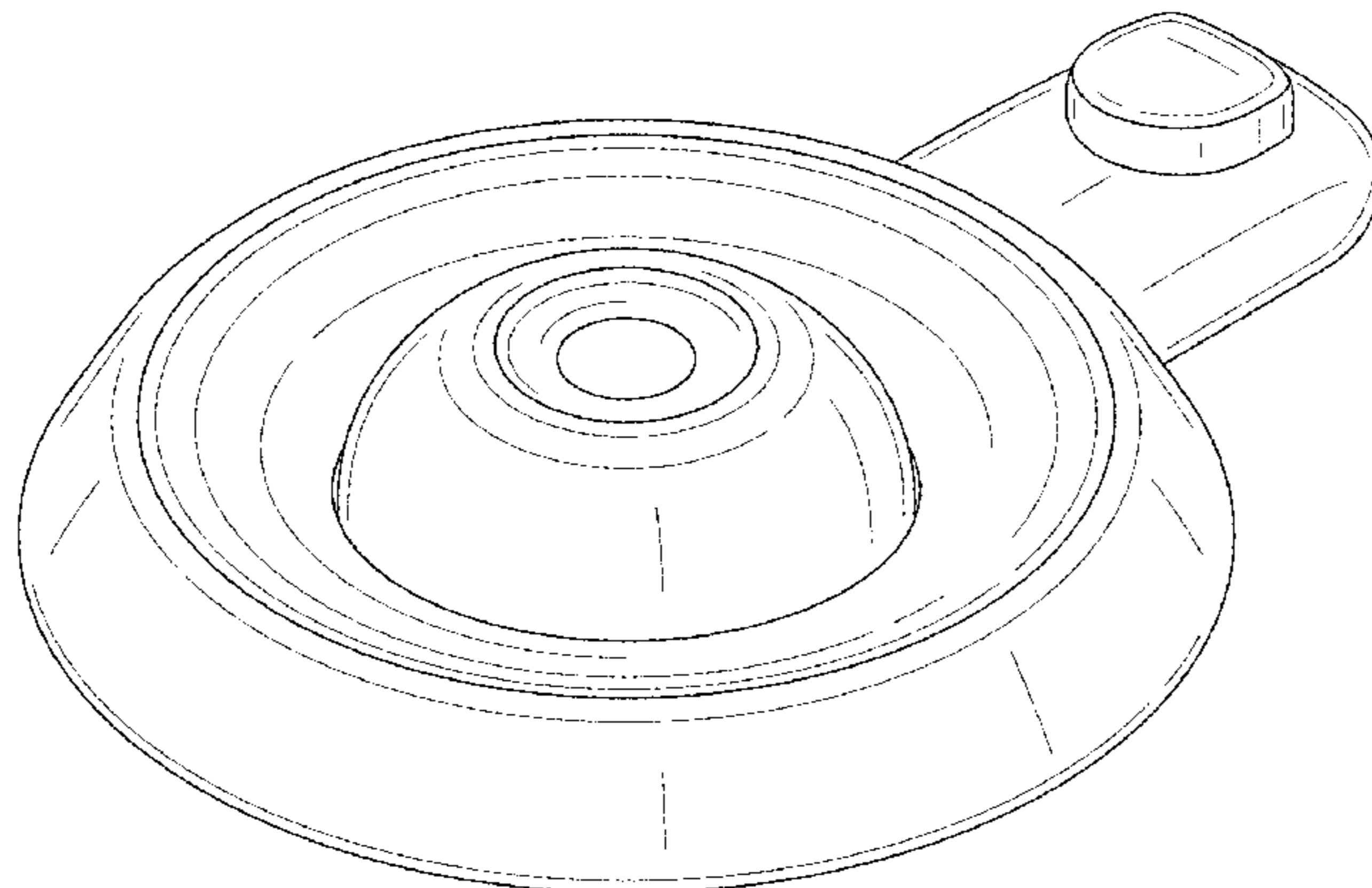
FIG. 4 is a right side view thereof;

FIG. 5 is a left side view thereof; and,

FIG. 6 is a top view thereof.

The broken line showing of the various unshaded elements of the carafe lid represents unclaimed subject matter and forms no part of the claimed design.

**1 Claim, 6 Drawing Sheets**



(56)

**References Cited**

U.S. PATENT DOCUMENTS

D612,196 S \* 3/2010 Furlong ..... D7/392.1  
D614,439 S \* 4/2010 Olivari ..... D7/392.1  
D635,027 S \* 3/2011 Gonzalez Sanchez ..... D9/449  
D643,242 S 8/2011 Butler  
D645,748 S \* 9/2011 Sharma ..... D7/629  
D656,236 S \* 3/2012 Marechal ..... D24/224  
D668,095 S 10/2012 Green et al.  
D668,153 S \* 10/2012 Mavin ..... D9/443  
D677,118 S 3/2013 Rosenfeld  
D677,162 S \* 3/2013 Sharma ..... D7/392.1  
D686,864 S 7/2013 Poul et al.  
D714,581 S 10/2014 Shao  
D717,651 S \* 11/2014 Marina ..... D9/454  
D719,777 S 12/2014 Metaxatos et al.  
D751,850 S 3/2016 Kunz  
D751,851 S 3/2016 Kunz  
D794,444 S \* 8/2017 Chen ..... D9/428  
D796,887 S 9/2017 Horimoto

FOREIGN PATENT DOCUMENTS

CN 300731691 1/2008  
CN 300731692 1/2008  
CN 300731694 1/2008  
EM 001912601-0014 9/2011  
EM 003459676-0001 11/2016

\* cited by examiner

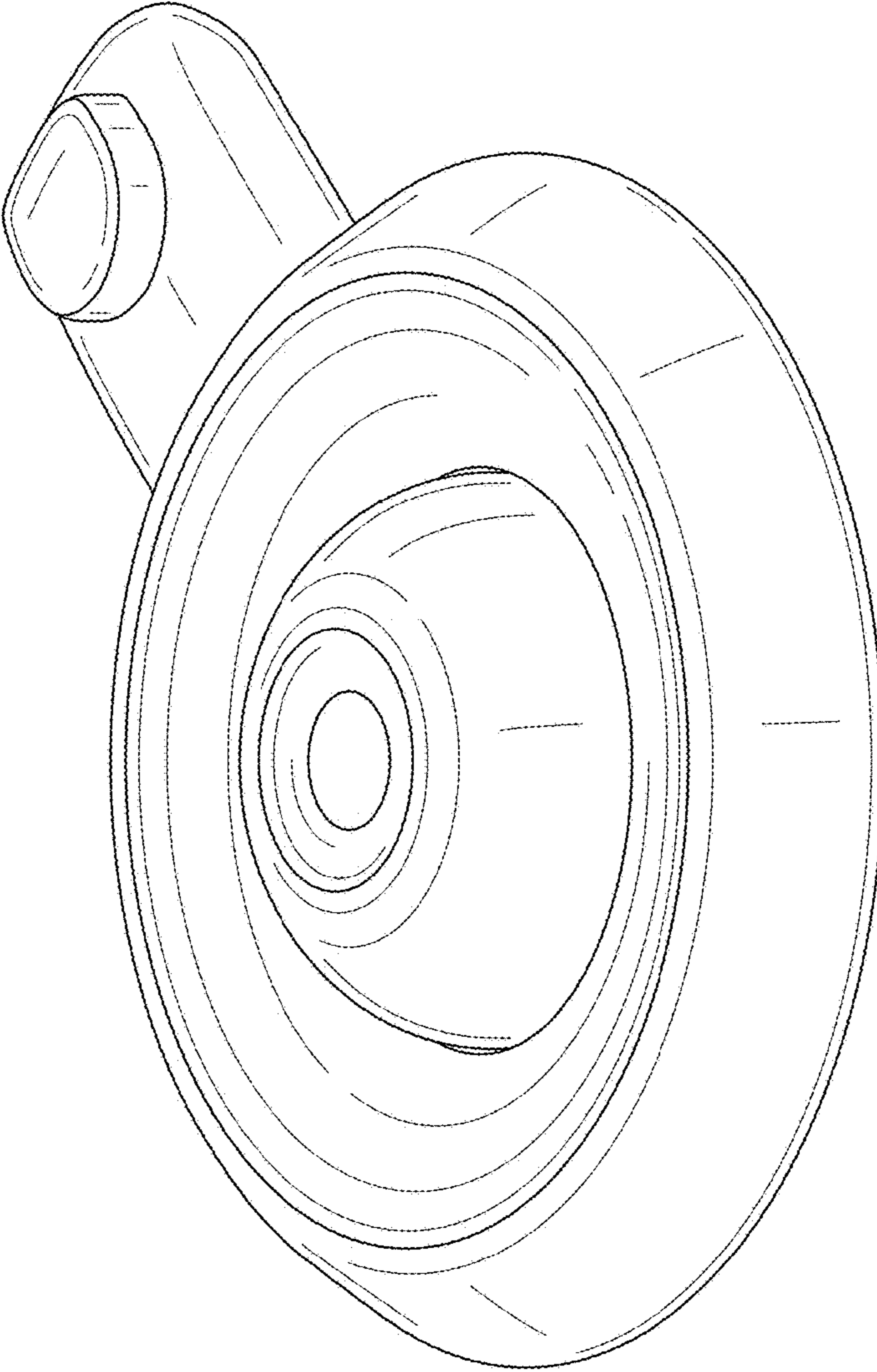


FIG. 1

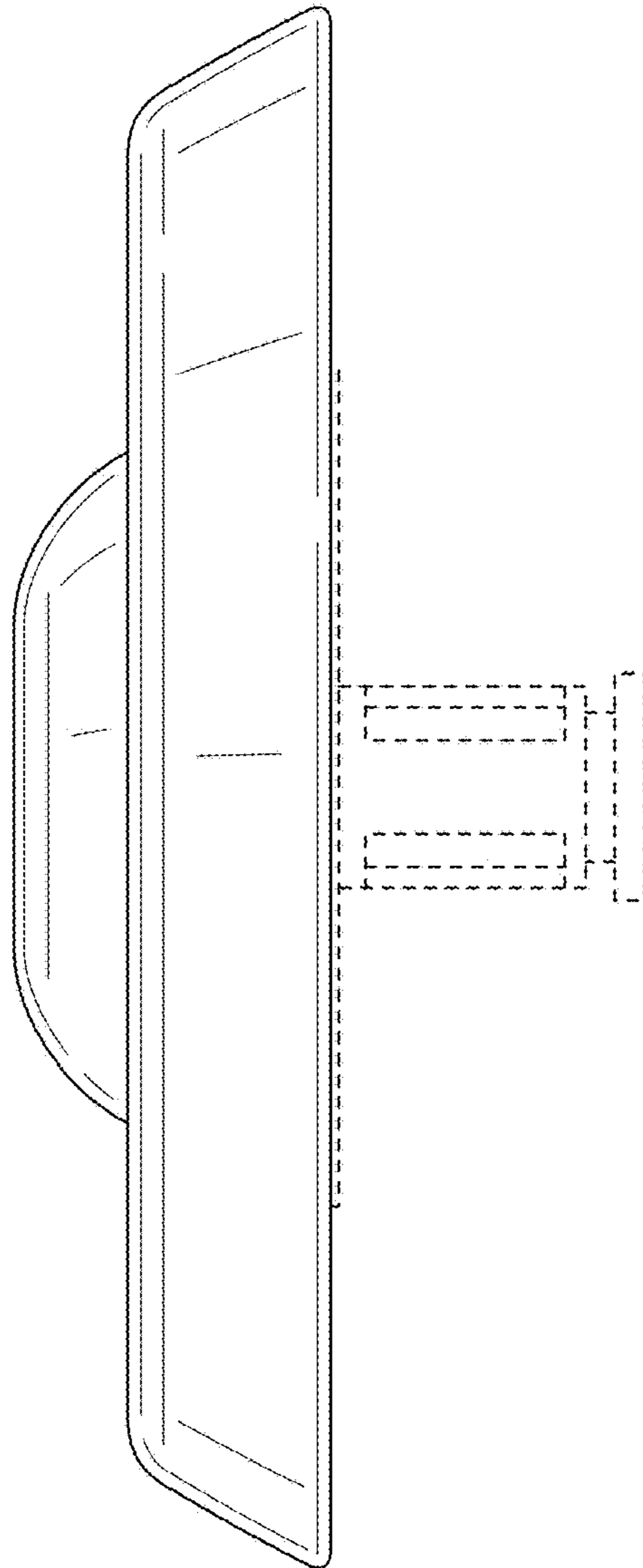


FIG. 2

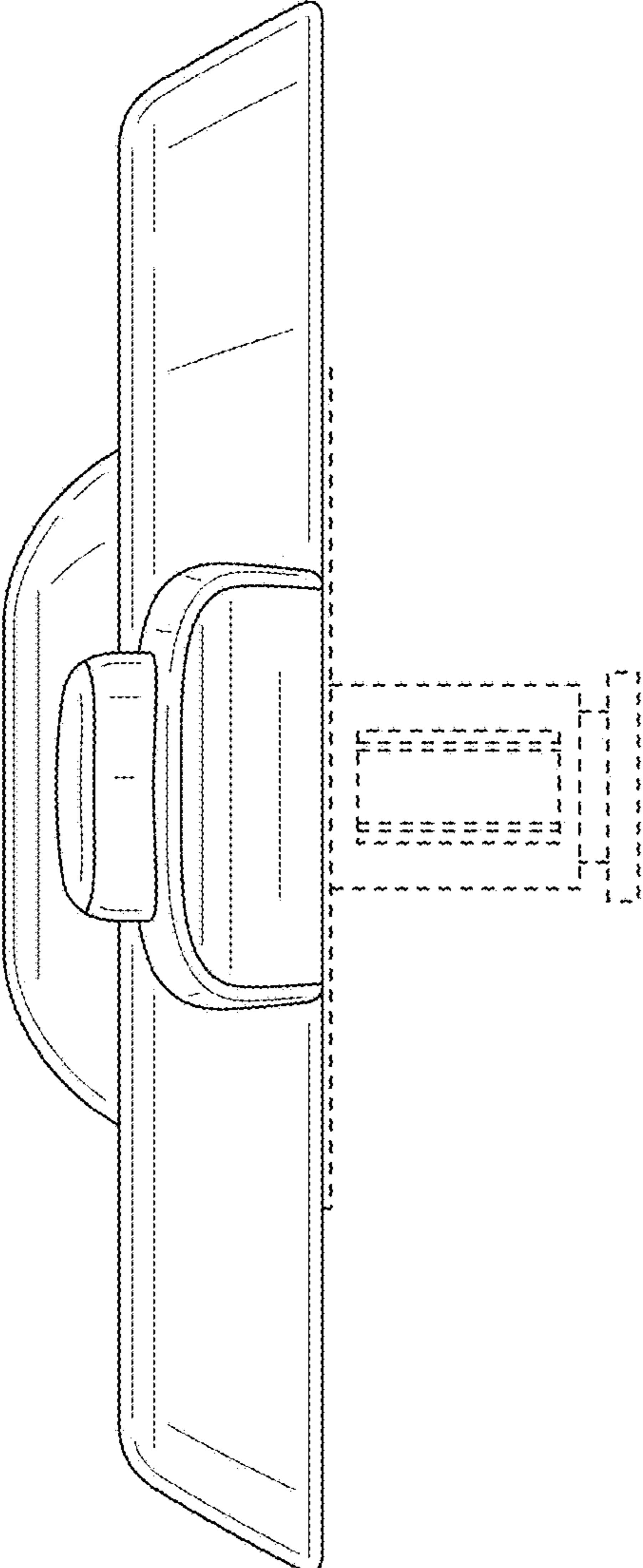


FIG. 3

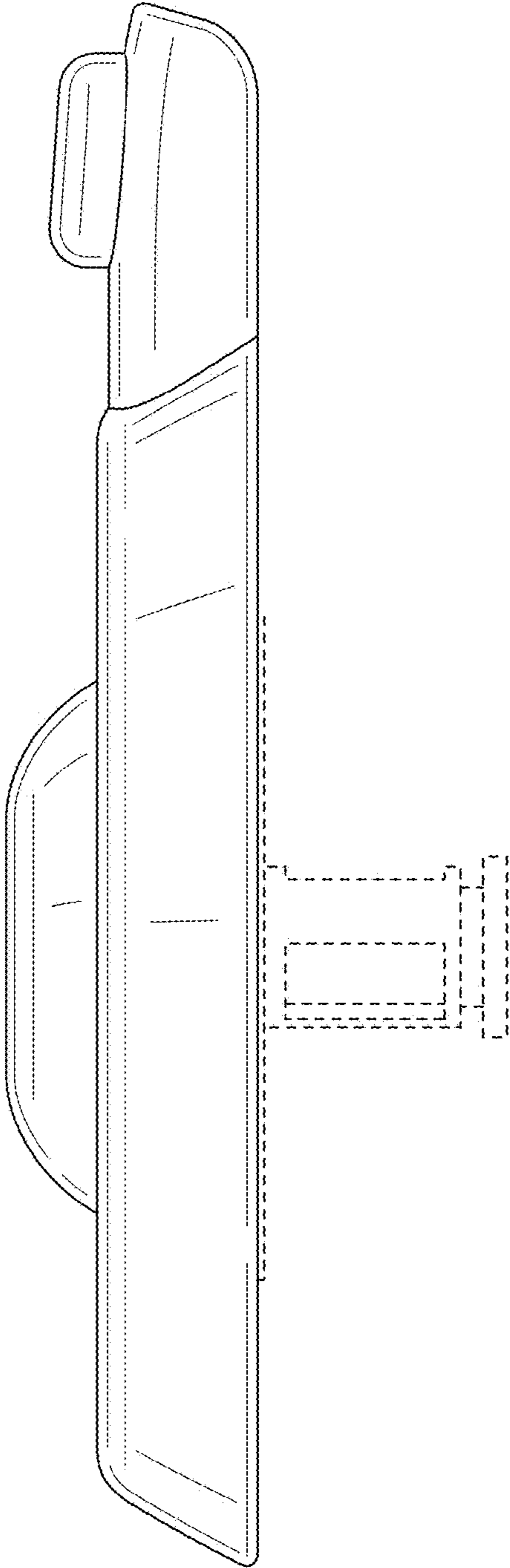


FIG. 4



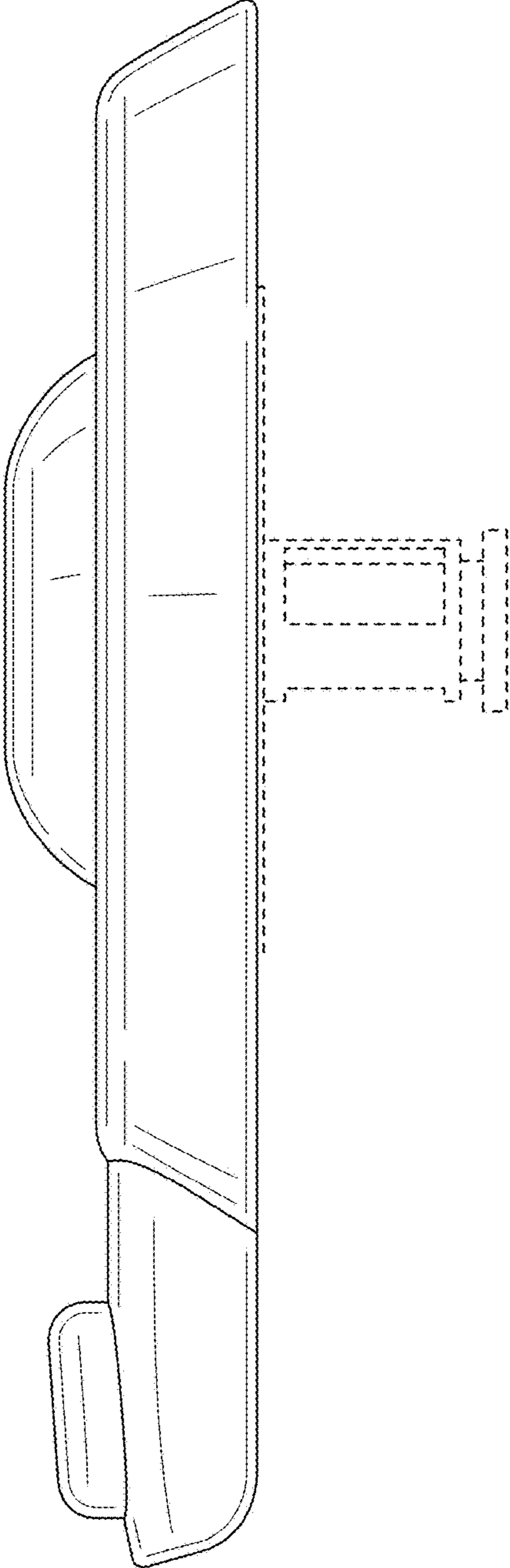


FIG. 5

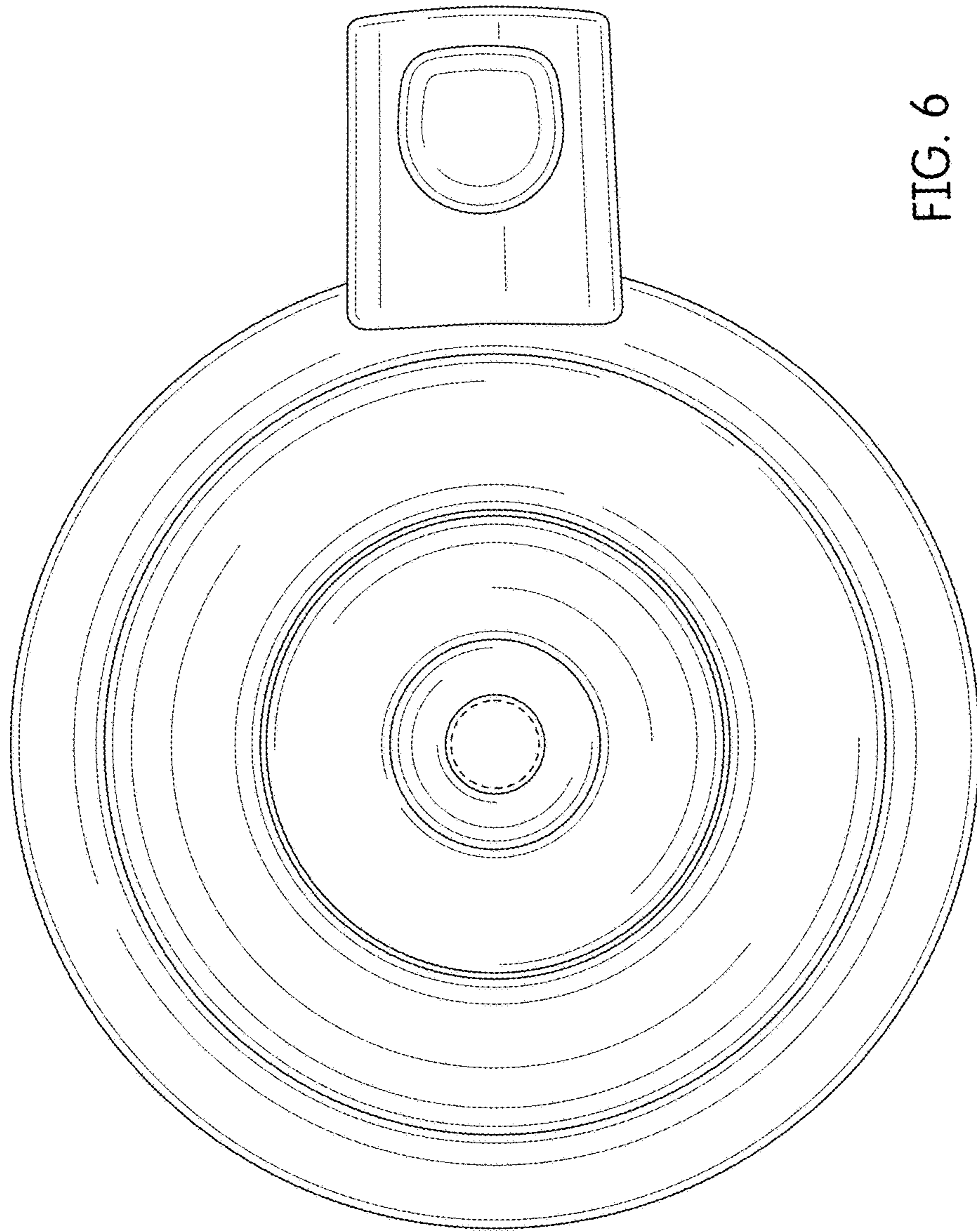


FIG. 6