



US00D839664S

(12) **United States Design Patent** (10) **Patent No.:** **US D839,664 S**  
**Pentelovitch et al.** (45) **Date of Patent:** **\*\* Feb. 5, 2019**

(54) **CONTAINER LID**

(71) Applicant: **Helen of Troy Limited**, Belleville, St. Michael (BB)

(72) Inventors: **Noah Ziman Pentelovitch**, New York, NY (US); **Conor Patrick McNamara**, Montclair, NJ (US); **Makiko Kida**, Chiba (JP); **Tamotsu Matsumoto**, Chiba (JP); **Nobuyuki Ogasawara**, Chiba (JP); **Yoshinori Nagata**, Chiba (JP)

(73) Assignee: **Helen of Troy Limited**, St. Michael (BB)

(\*\*) Term: **15 Years**

(21) Appl. No.: **29/631,347**

(22) Filed: **Dec. 29, 2017**

(51) **LOC (11) Cl.** ..... **07-02**

(52) **U.S. Cl.**  
USPC ..... **D7/391**

(58) **Field of Classification Search**  
USPC ..... D7/391, 392, 392.1, 393, 397, 601–602, D7/615, 629–630, 538–542; D9/414, D9/424–432, 435, 439, 451–452; D26/85  
CPC ..... A47J 36/027; A47J 36/06; A47J 37/10; A47J 37/101; B65D 21/0209; B65D 21/0219; B65D 43/00; B65D 43/02; B65D 43/0206; B65D 43/022; B65D 43/161; B65D 43/162; B65D 45/00; B65D 45/16; B65D 45/18; B65D 45/32; B65D 51/16; B65D 51/1683; B65D 51/1688; B65D 51/1694; B65D 2251/00; B65F 1/1615

See application file for complete search history.

(56) **References Cited**

**U.S. PATENT DOCUMENTS**

D162,579 S \* 3/1951 Roop ..... D7/615  
D282,044 S \* 1/1986 McClelland ..... D7/391

D351,792 S \* 10/1994 Morris, Sr. .... D9/425  
D403,582 S \* 1/1999 Nask ..... D9/435  
5,896,993 A \* 4/1999 Nask ..... B65D 21/0219  
206/508  
D540,669 S \* 4/2007 George ..... D7/392.1  
D562,640 S \* 2/2008 Tucker ..... D7/542  
D572,086 S 7/2008 Matsumoto et al.  
D610,412 S \* 2/2010 Matsumoto ..... D7/629  
D655,158 S \* 3/2012 Drozek ..... D9/435

(Continued)

**OTHER PUBLICATIONS**

<https://www.oxo.com/products/storage-organization/food/pop-container-big-square-4-0-qt-3-8-l> (website published prior to Dec. 29, 2016 ).

(Continued)

*Primary Examiner* — Ricky Pham

(74) *Attorney, Agent, or Firm* — Rankin, Hill & Clark LLP

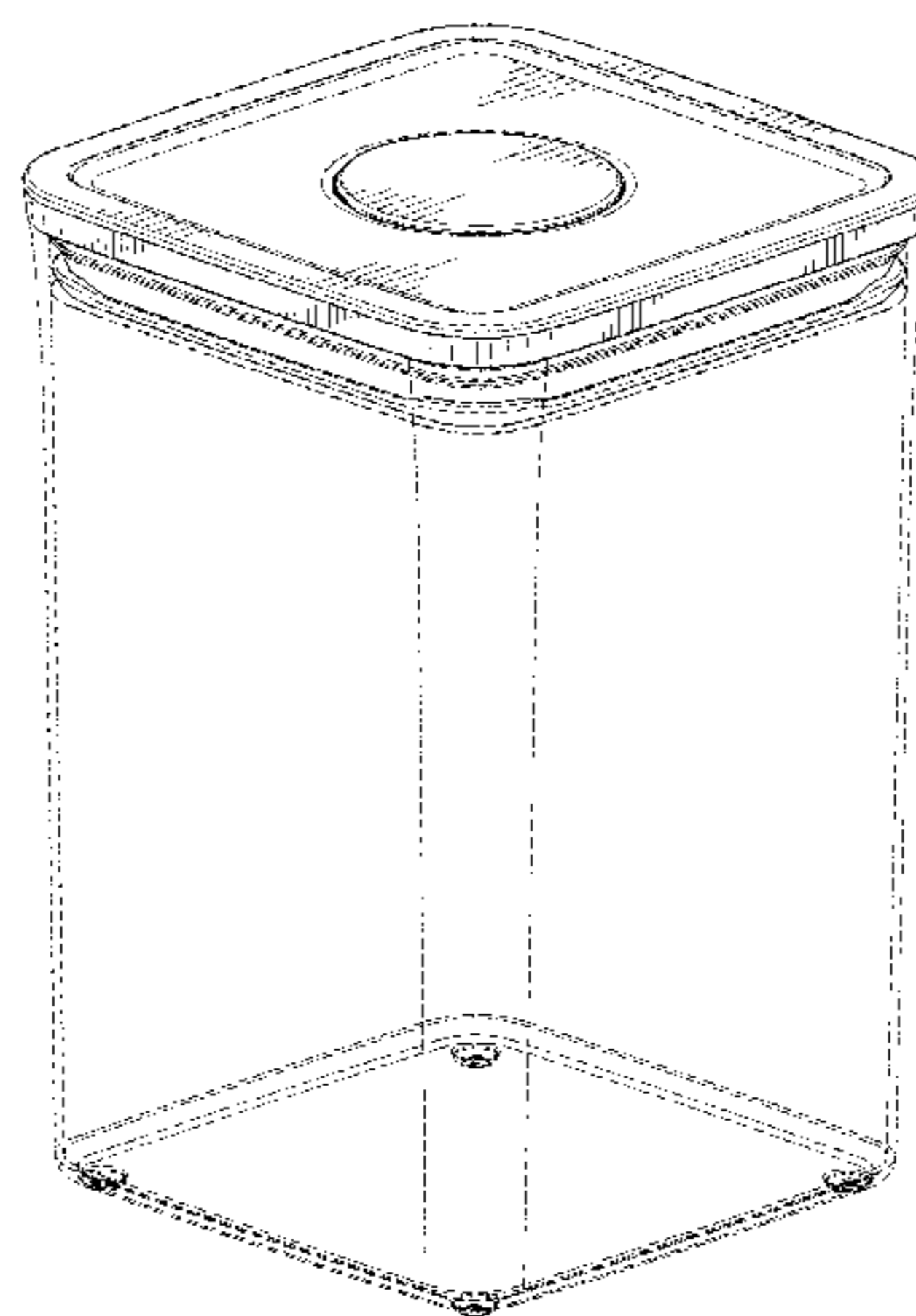
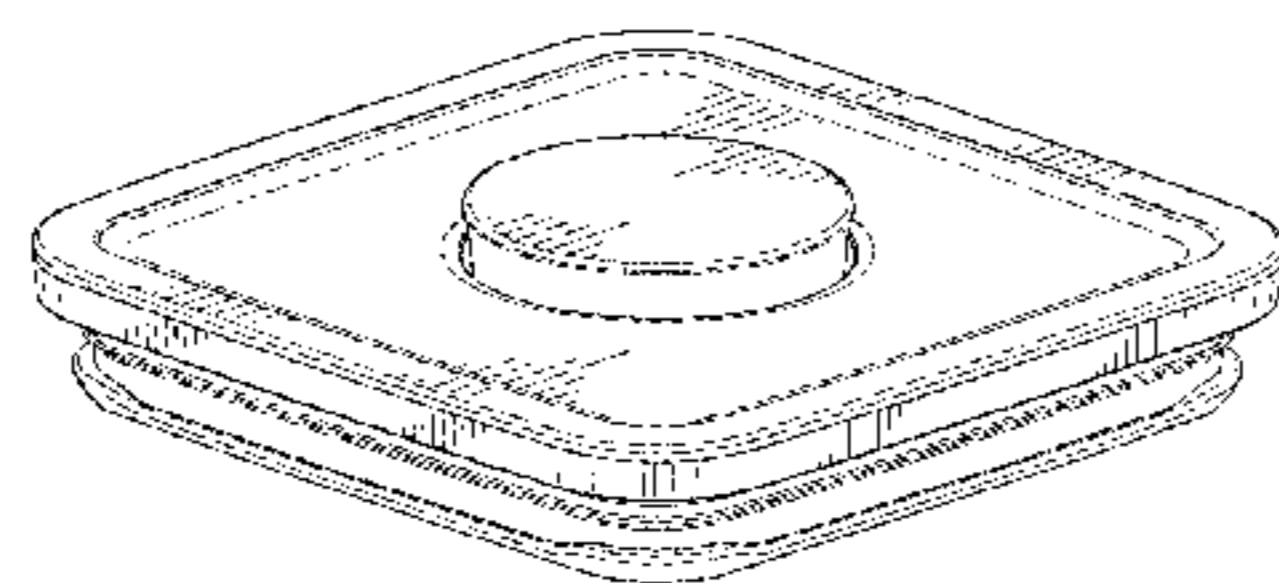
(57) **CLAIM**

The ornamental design for a container lid, as shown and described.

**DESCRIPTION**

FIG. 1 is an upper perspective view of a container lid with a button shown in an extended position;  
FIG. 2 is another upper perspective view thereof with the button in a depressed position;  
FIG. 3 is a lower perspective view thereof; FIG. 4 is a side elevation view thereof with the button in the extended position, and each side being identical;  
FIG. 5 is a side elevation view thereof with the button in the depressed position, and each side being identical;  
FIG. 6 is a top plan view thereof;  
FIG. 7 is a bottom plan view thereof; and,  
FIG. 8 is another upper perspective view thereof with the button in a depressed position.  
The broken lines in the drawings depict portions of the container lid that form no part of the claimed design.

**1 Claim, 8 Drawing Sheets**



(56)

**References Cited**

U.S. PATENT DOCUMENTS

D655,850 S \* 3/2012 Sabernig ..... D26/85  
D765,508 S \* 9/2016 Wu ..... D9/439  
D817,701 S \* 5/2018 Ho ..... D7/391  
2018/0016065 A1\* 1/2018 Ho ..... B65D 45/32

OTHER PUBLICATIONS

<https://www.target.com/s/oxo+softworks+pop+containers> (website published prior to Dec. 29, 2016).

\* cited by examiner

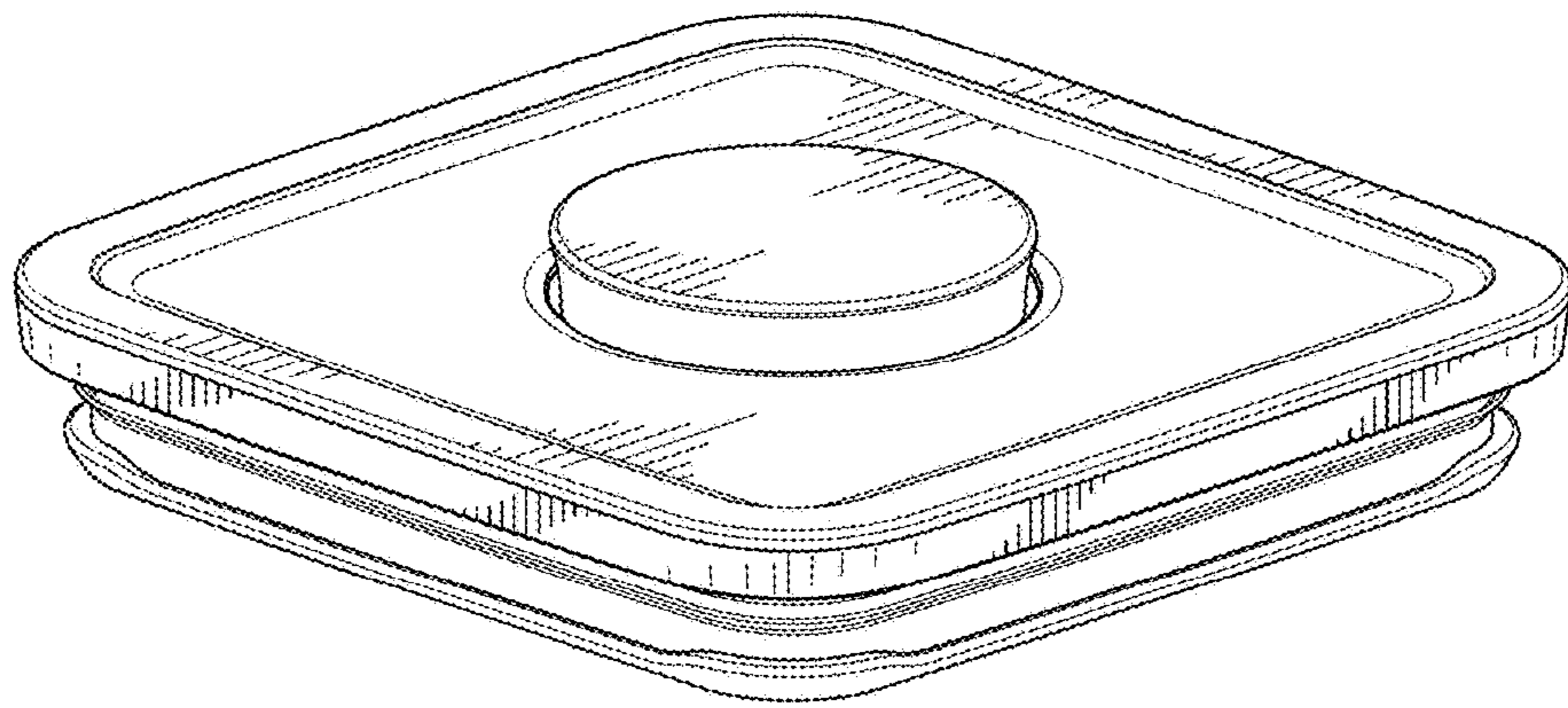


FIG. 1

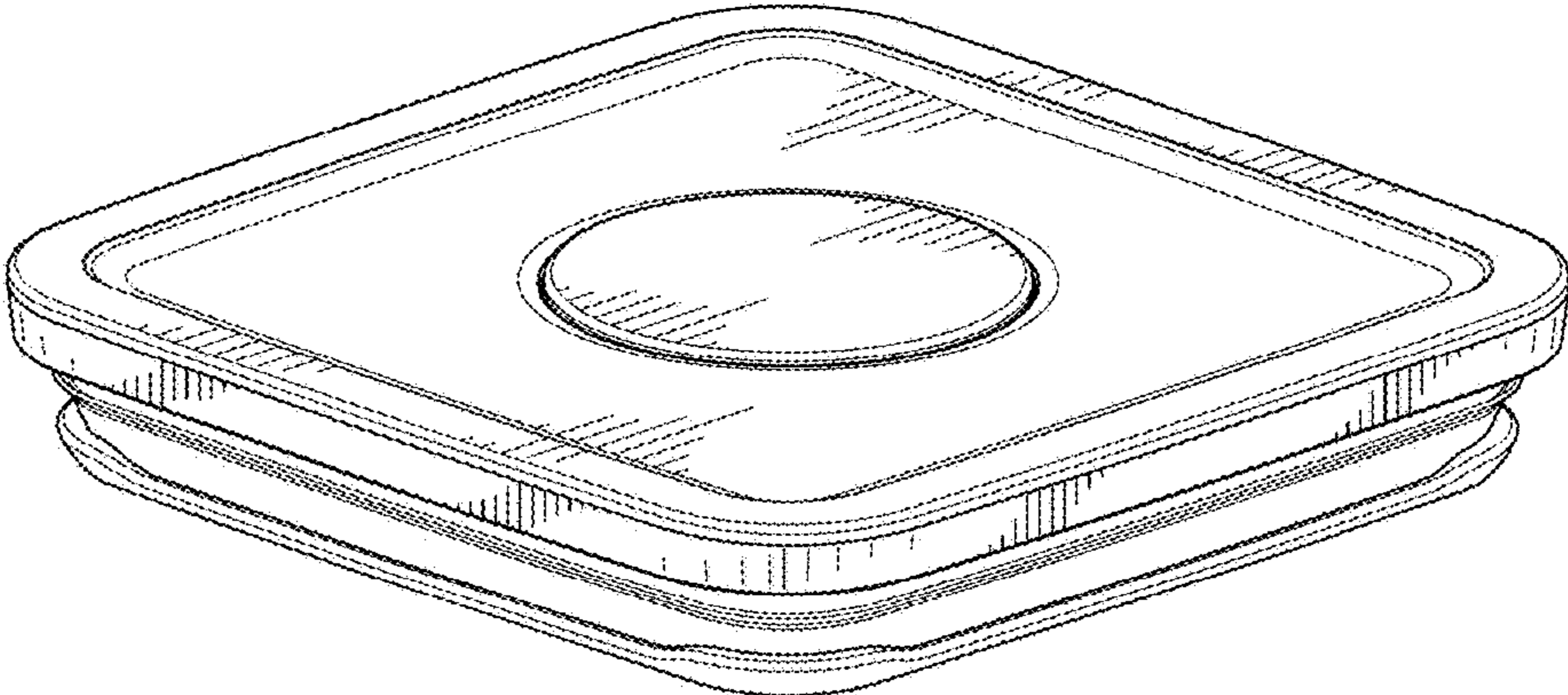


FIG.2

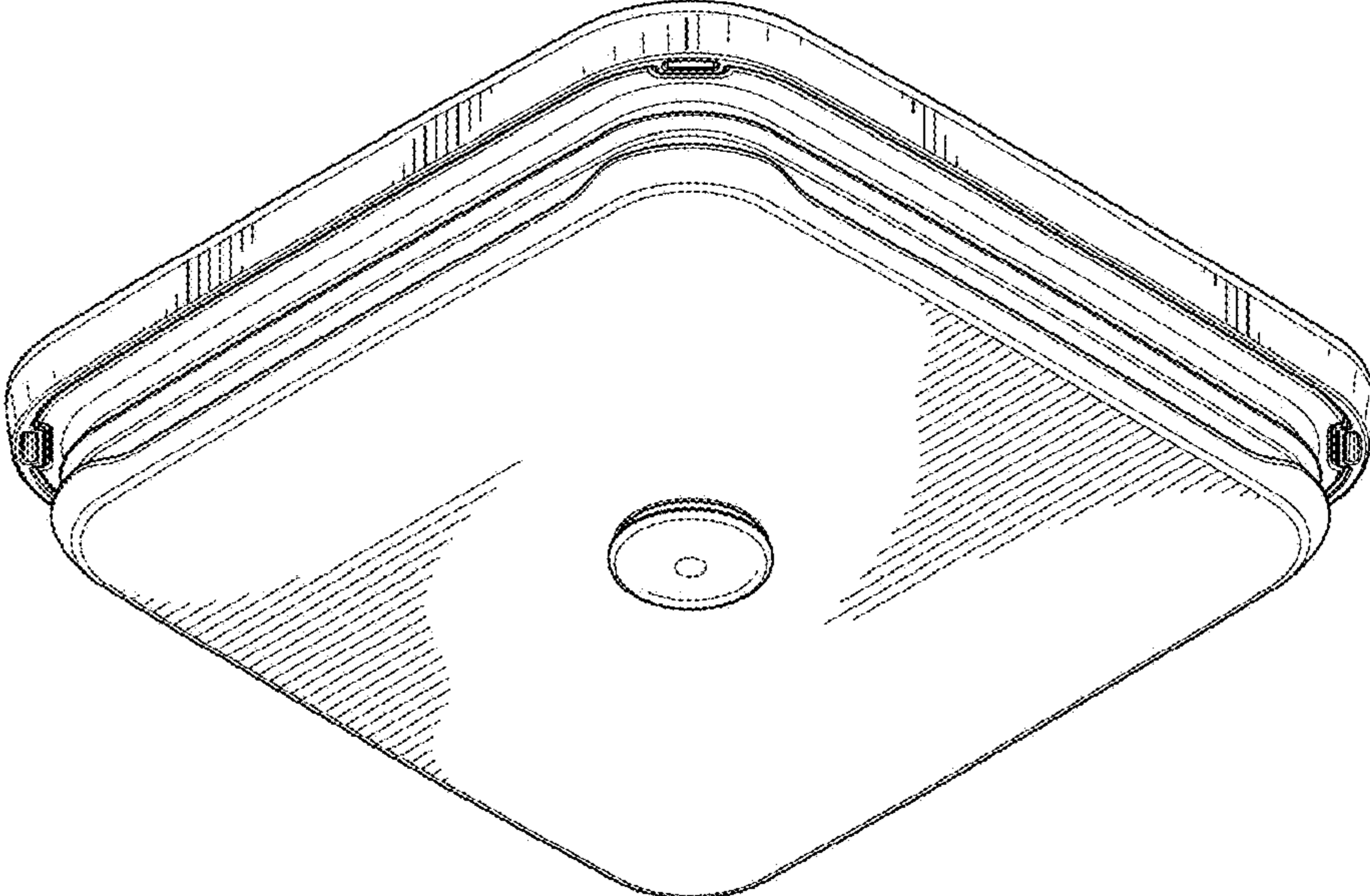


FIG.3

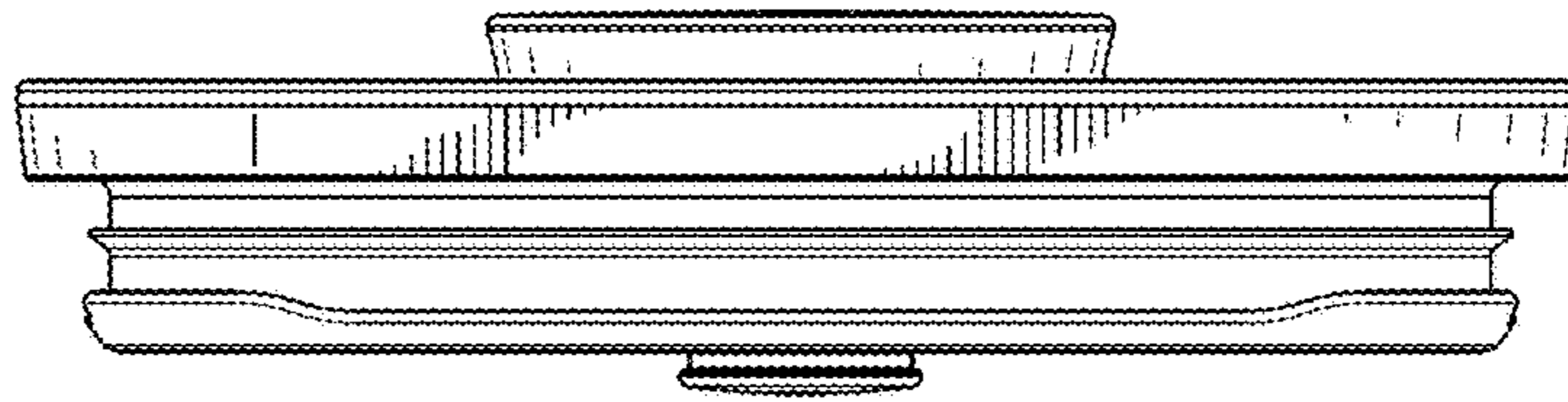


FIG. 4

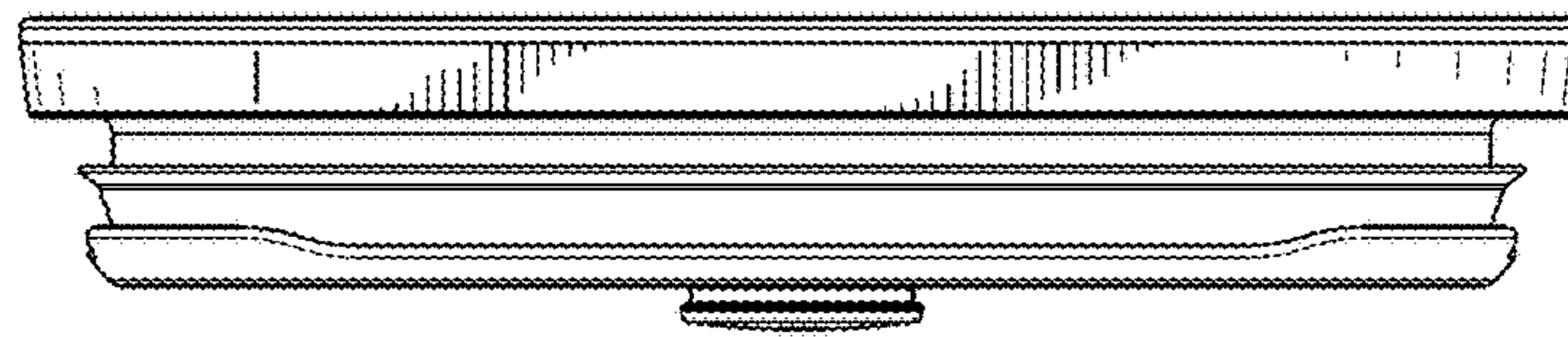


FIG. 5

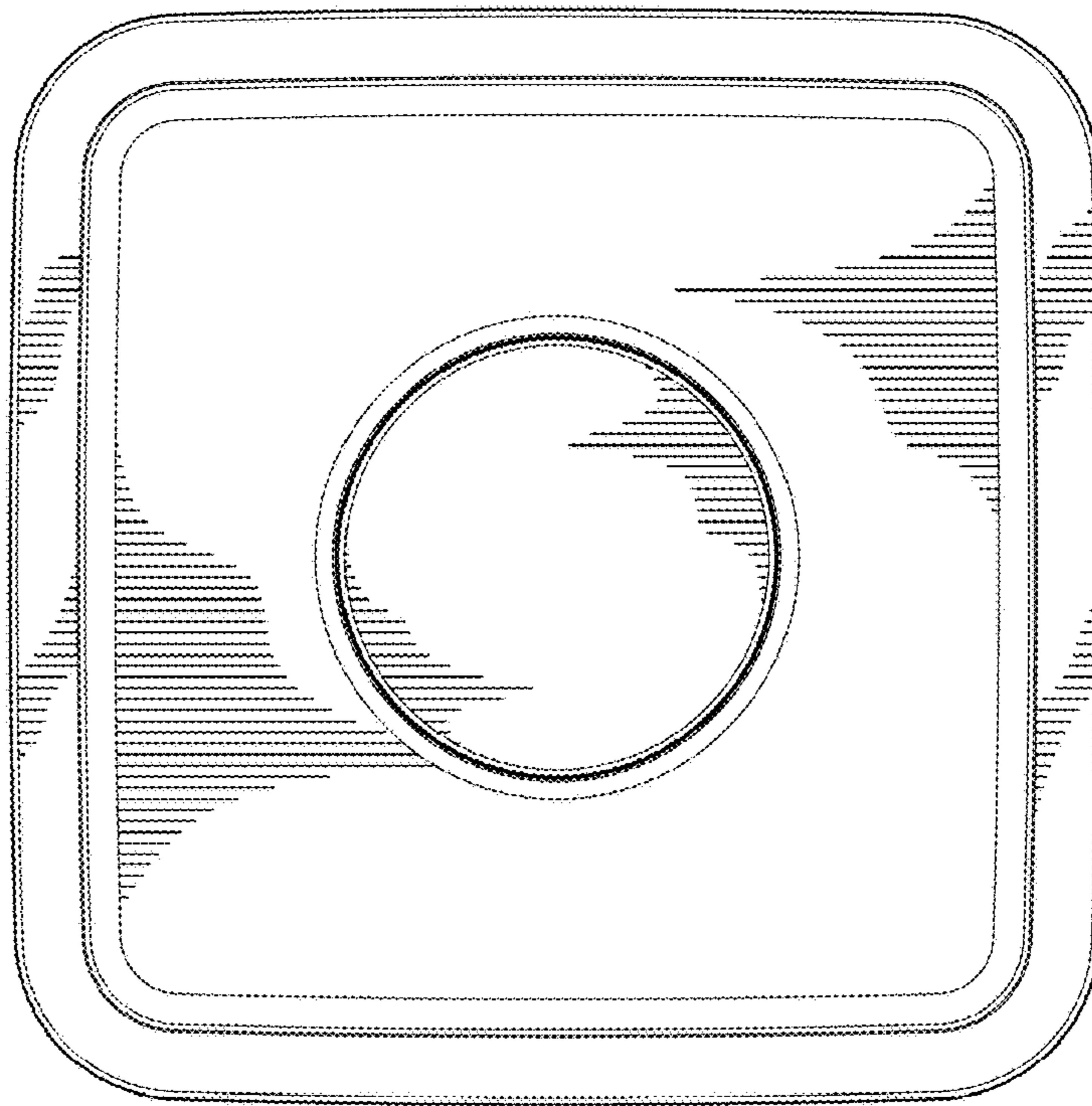


FIG. 6



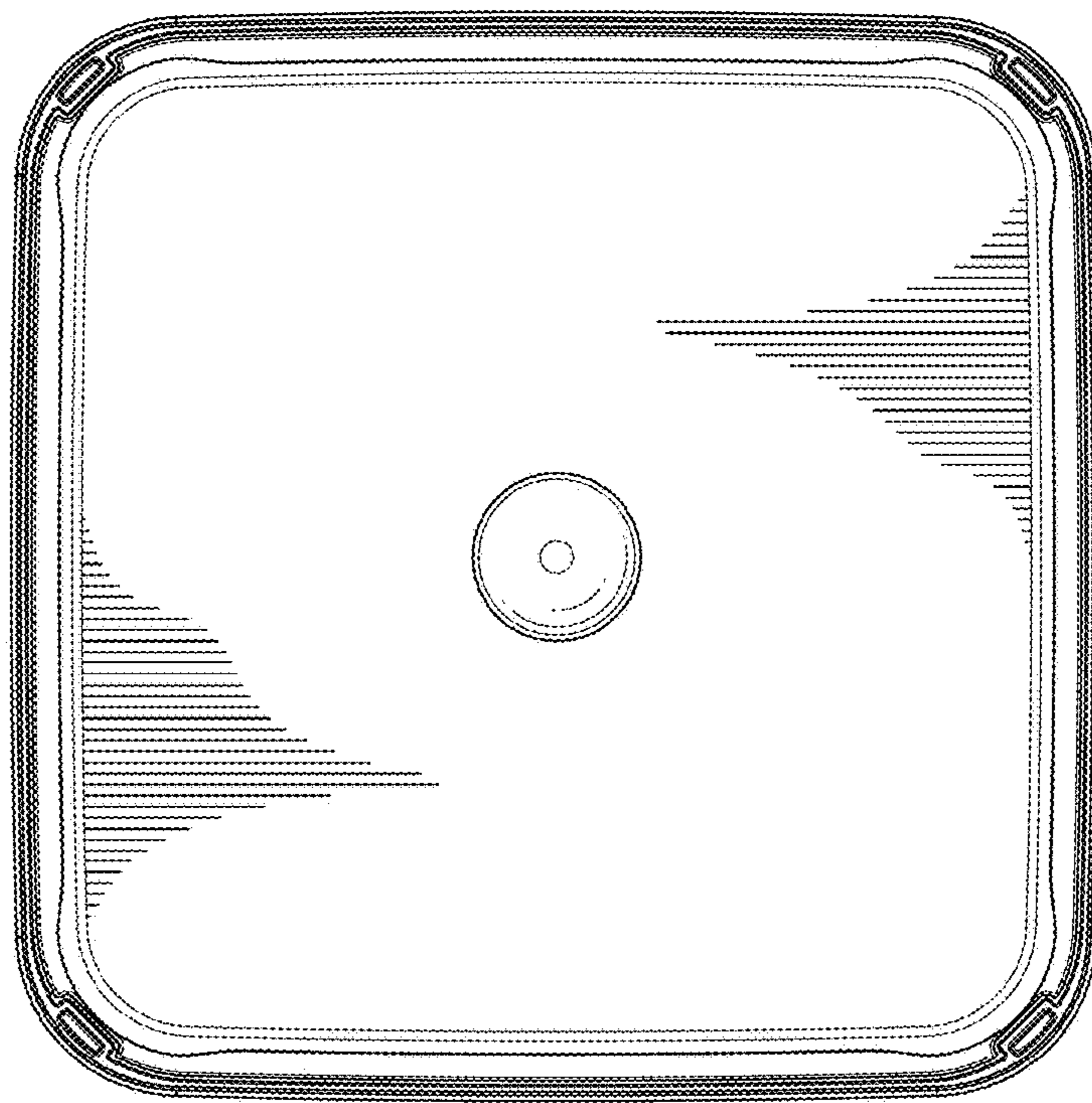


FIG. 7

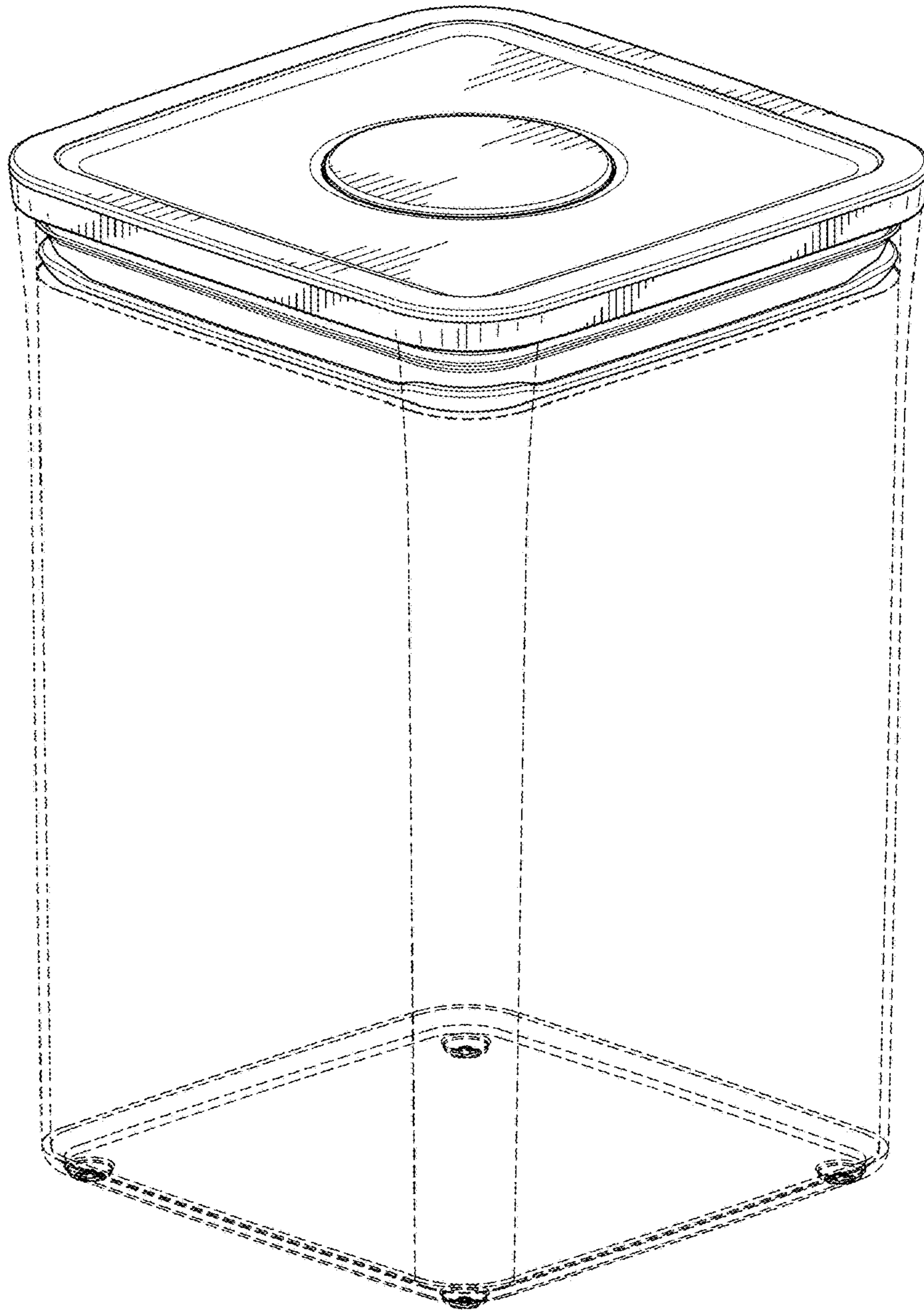


FIG. 8