



US00D839663S

(12) **United States Design Patent**
Hu

(10) **Patent No.:** **US D839,663 S**

(45) **Date of Patent:** **** Feb. 5, 2019**

(54) **BOWL COVER**

(71) Applicant: **Zhihong Hu**, Jiangxi (CN)

(72) Inventor: **Zhihong Hu**, Jiangxi (CN)

(**) Term: **15 Years**

(21) Appl. No.: **29/618,787**

(22) Filed: **Sep. 25, 2017**

(51) **LOC (11) Cl.** **31-00**

(52) **U.S. Cl.**
USPC **D7/391**

(58) **Field of Classification Search**
USPC D7/300.1, 323, 326-327, 368, 391, 392,
D7/392.1, 510-511, 601, 602, 605, 608;
D9/445, 447, 449
CPC A01J 9/08; A23L 3/10; A47G 19/2205;
A47G 19/2272; A47J 27/04; A47J
27/004; A47J 36/24; A47J 36/2411; A47J
36/2416; A47J 36/2433; A47J 36/2438;
A47J 39/00; A47J 39/006; A47J 41/00;
B65D 43/02; B65D 47/0833; B65D
51/242; H05B 3/0004

See application file for complete search history.

(56) **References Cited**

U.S. PATENT DOCUMENTS

D510,235 S * 10/2005 Sorensen D7/510
D628,483 S * 12/2010 McKinney B65D 51/242
D9/449

D644,065 S * 8/2011 Llerena D7/300.1
D682,612 S * 5/2013 Rzepecki D7/392.1
D696,551 S * 12/2013 Meyers D7/392.1
8,695,830 B2 * 4/2014 Meyers B65D 51/242
220/254.3
D739,174 S * 9/2015 Elsaden D7/392.1
D739,674 S * 9/2015 Bergstrom D7/300.1
9,492,024 B2 * 11/2016 Sorensen A47G 19/2205
D779,872 S * 2/2017 Bergstrom A47G 19/2205
D7/392.1
D780,516 S * 3/2017 Cornelius D7/510
D799,270 S * 10/2017 Polk, III D7/510
D820,038 S * 6/2018 Sorensen D7/392.1

* cited by examiner

Primary Examiner — Ricky Pham

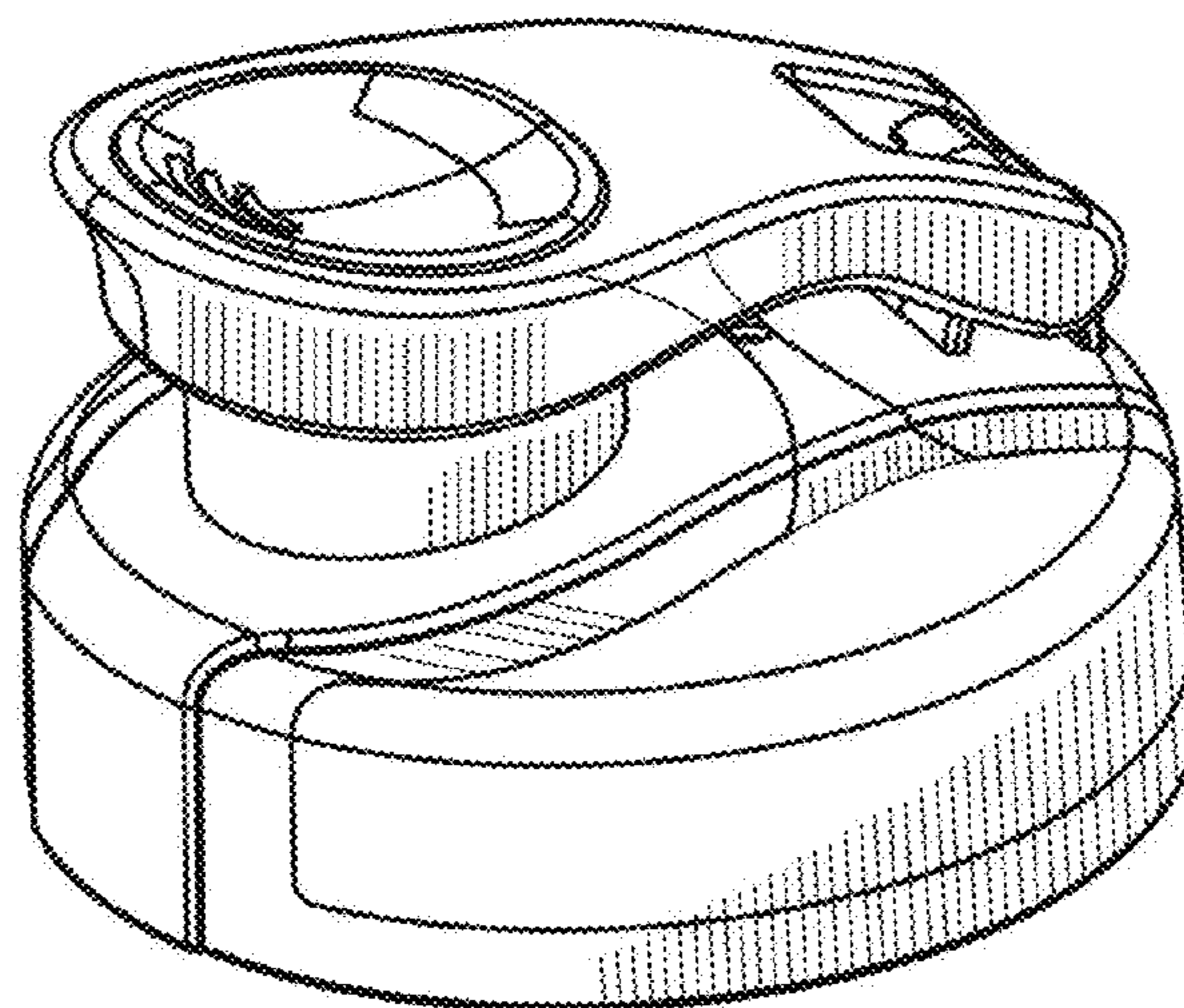
(57) **CLAIM**

I claim the ornamental design for a bowl cover, as shown and described.

DESCRIPTION

FIG. 1 is a perspective view of a bowl cover showing my new design;
FIG. 2 is a front elevational view thereof;
FIG. 3 is a rear elevational view thereof;
FIG. 4 is a left side elevational view thereof;
FIG. 5 is a right side elevational view thereof;
FIG. 6 is a top plan view thereof;
FIG. 7 is a bottom plan view thereof; and,
FIG. 8 is another perspective view thereof.

1 Claim, 8 Drawing Sheets



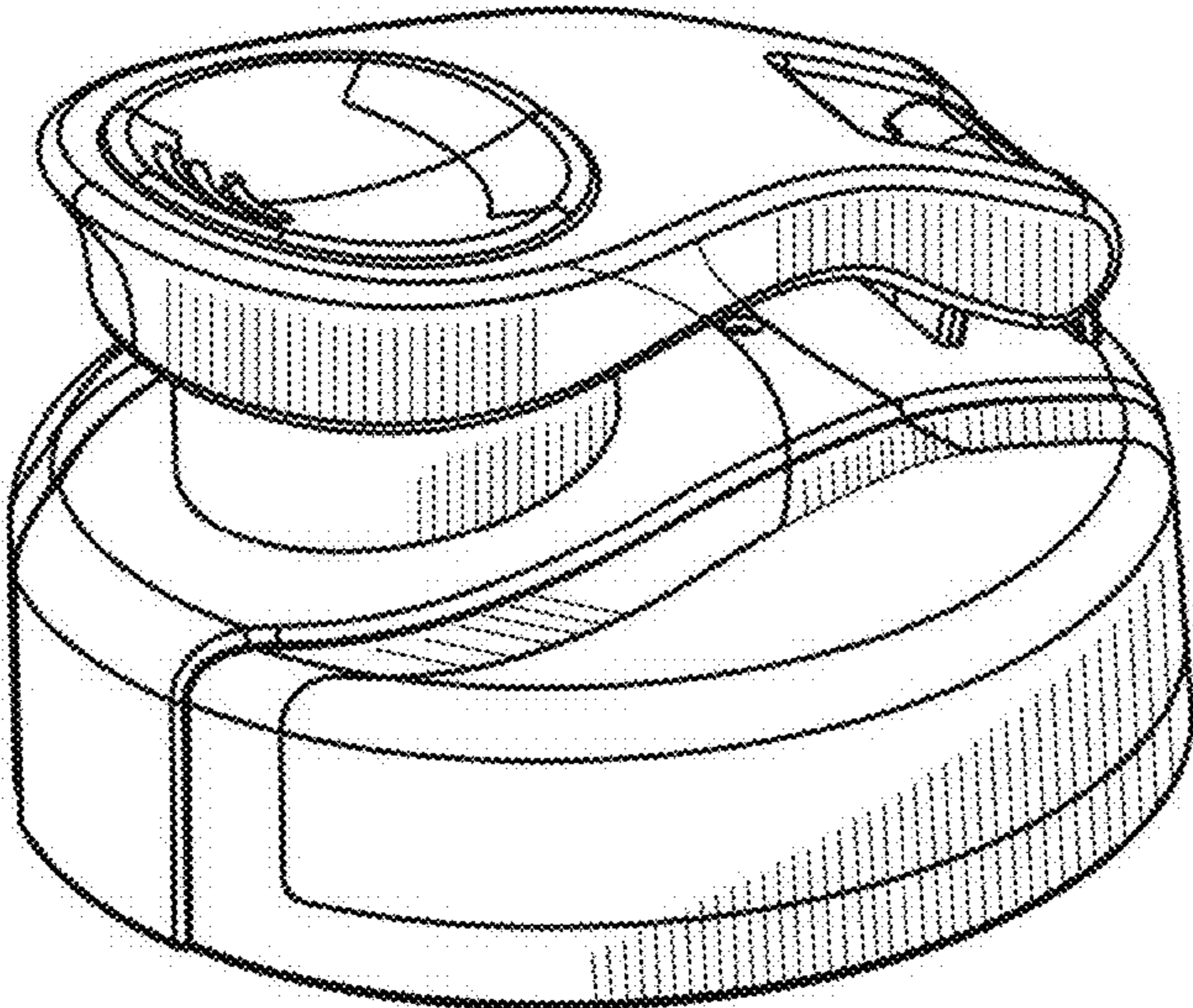


FIG.1

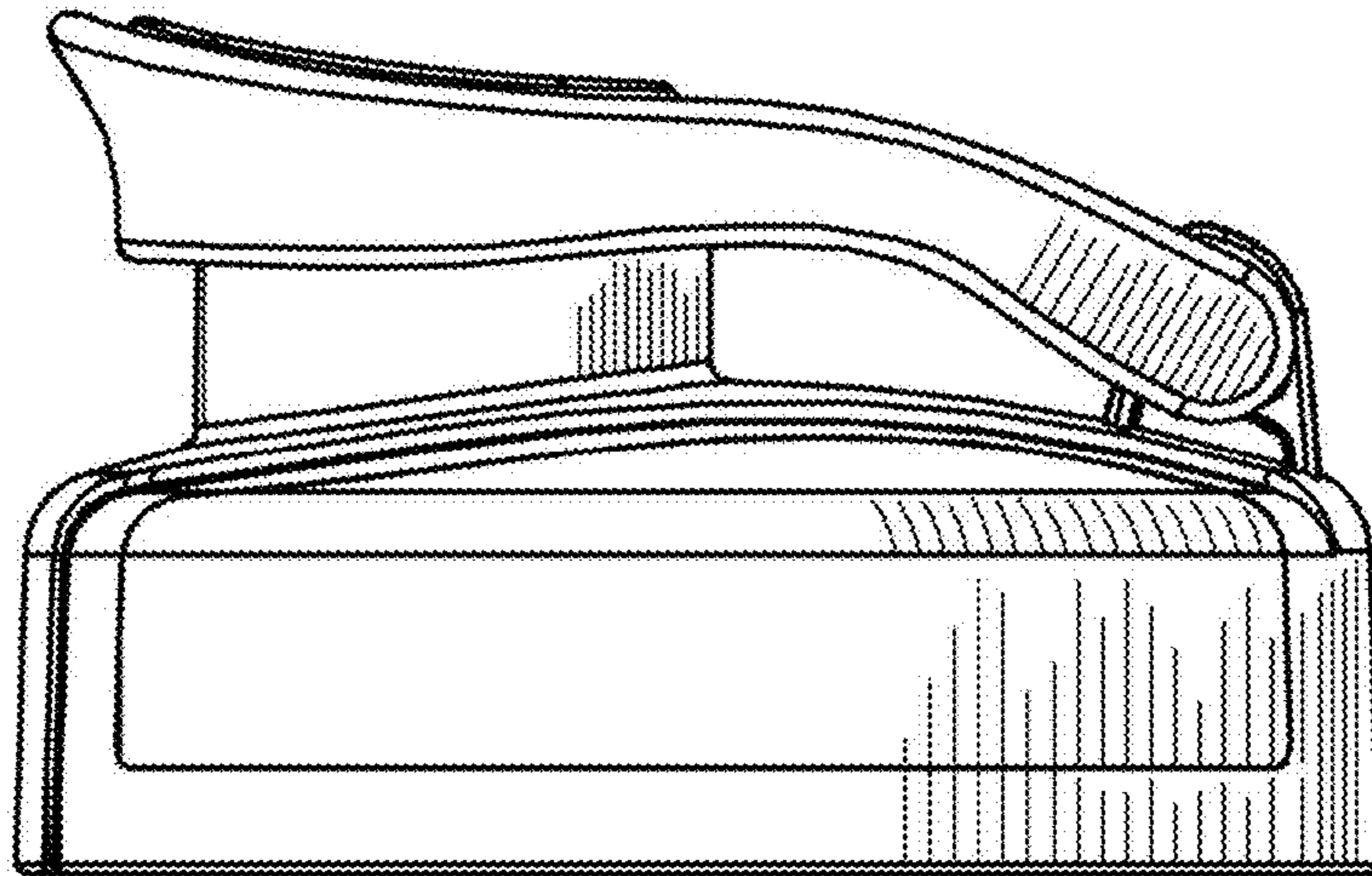


FIG.2

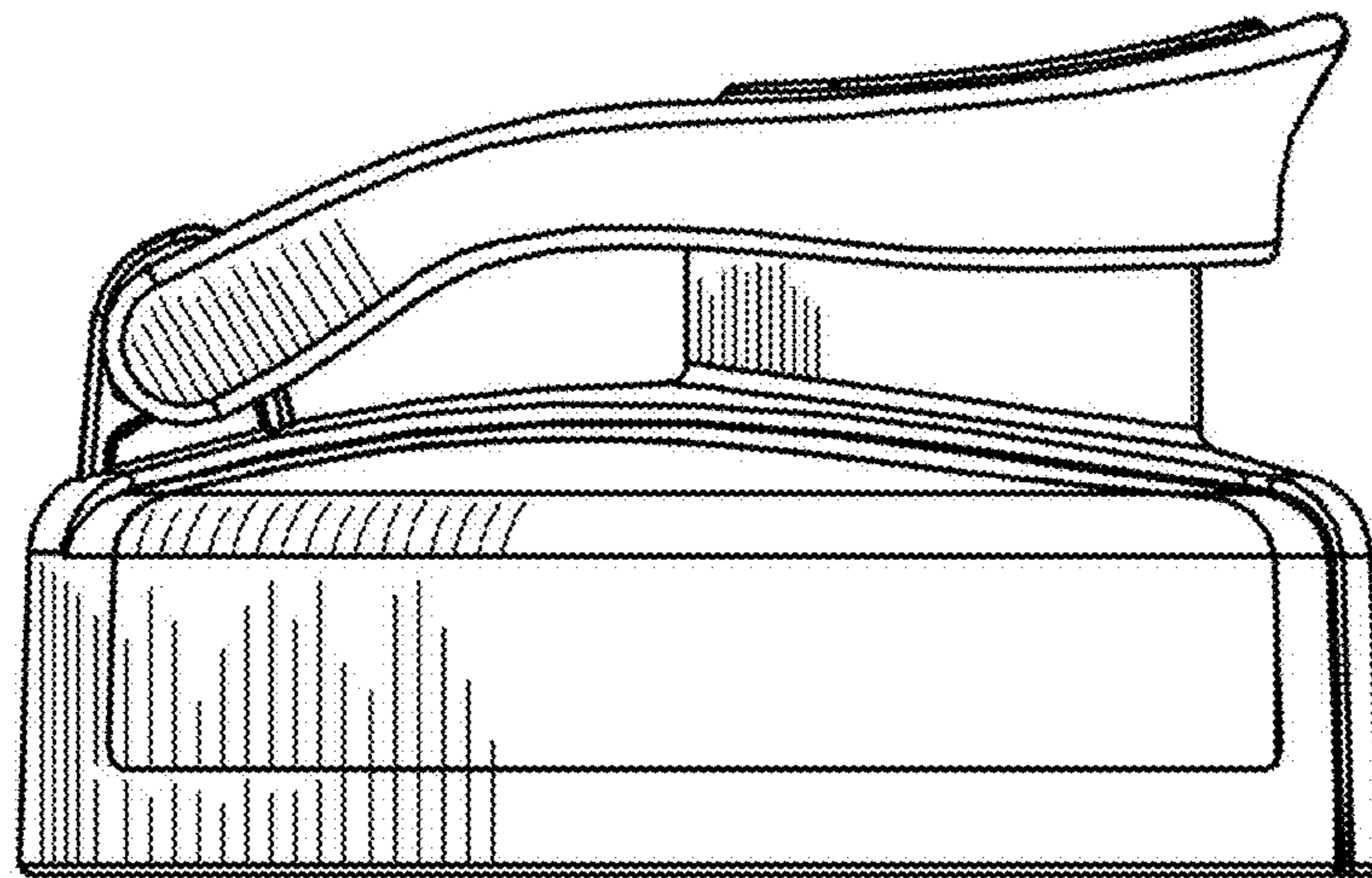


FIG.3

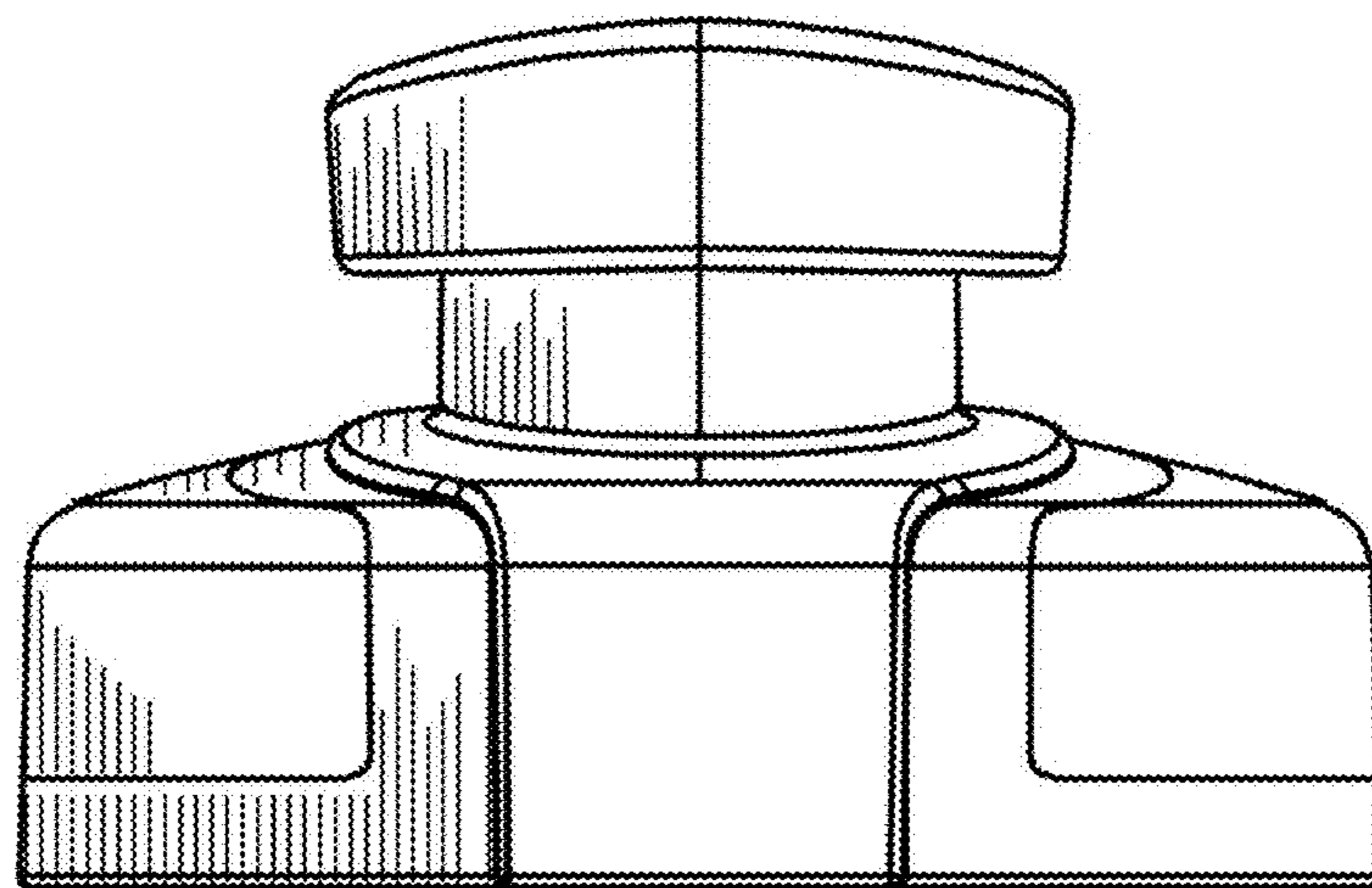


FIG.4

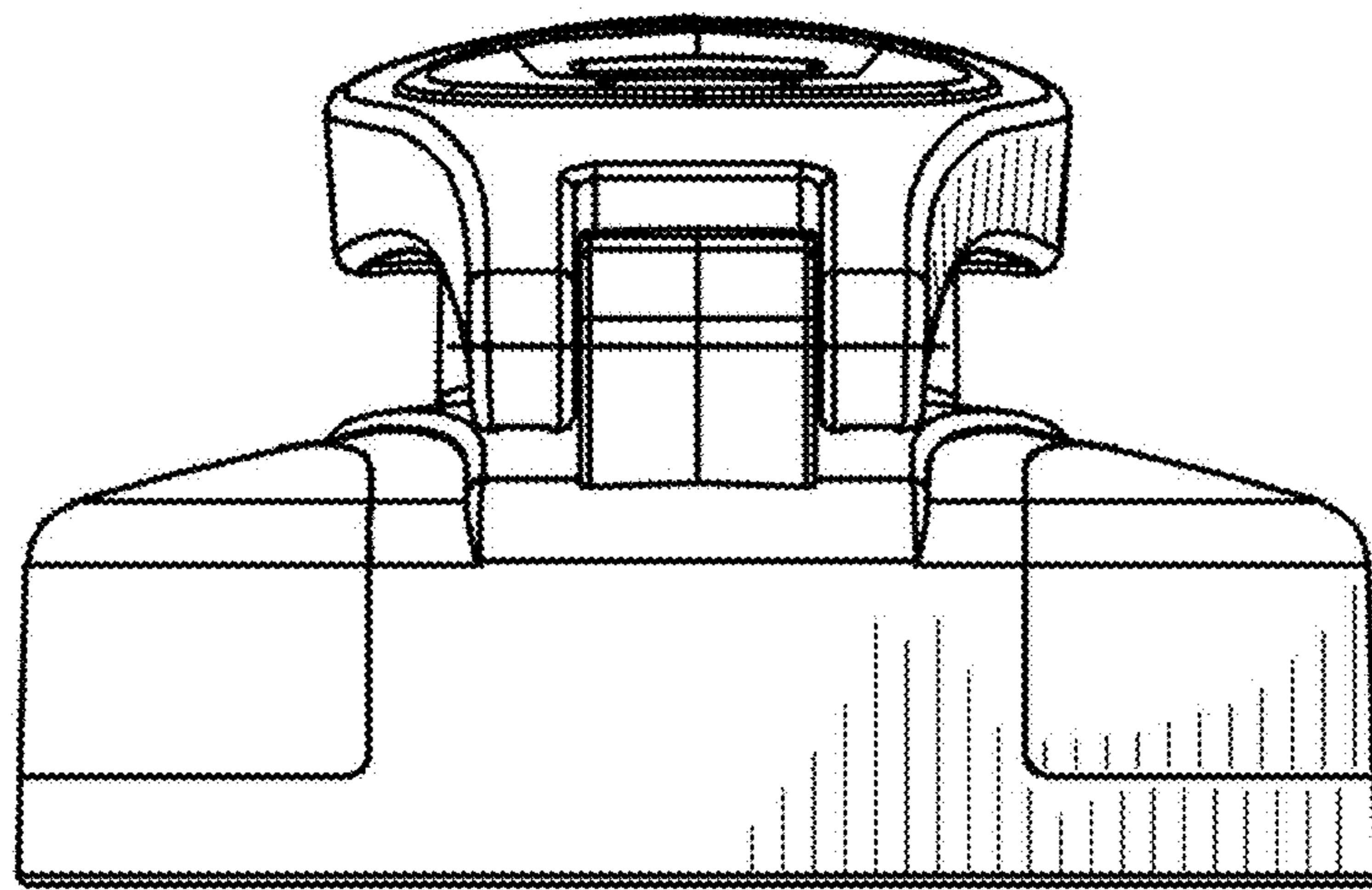


FIG.5

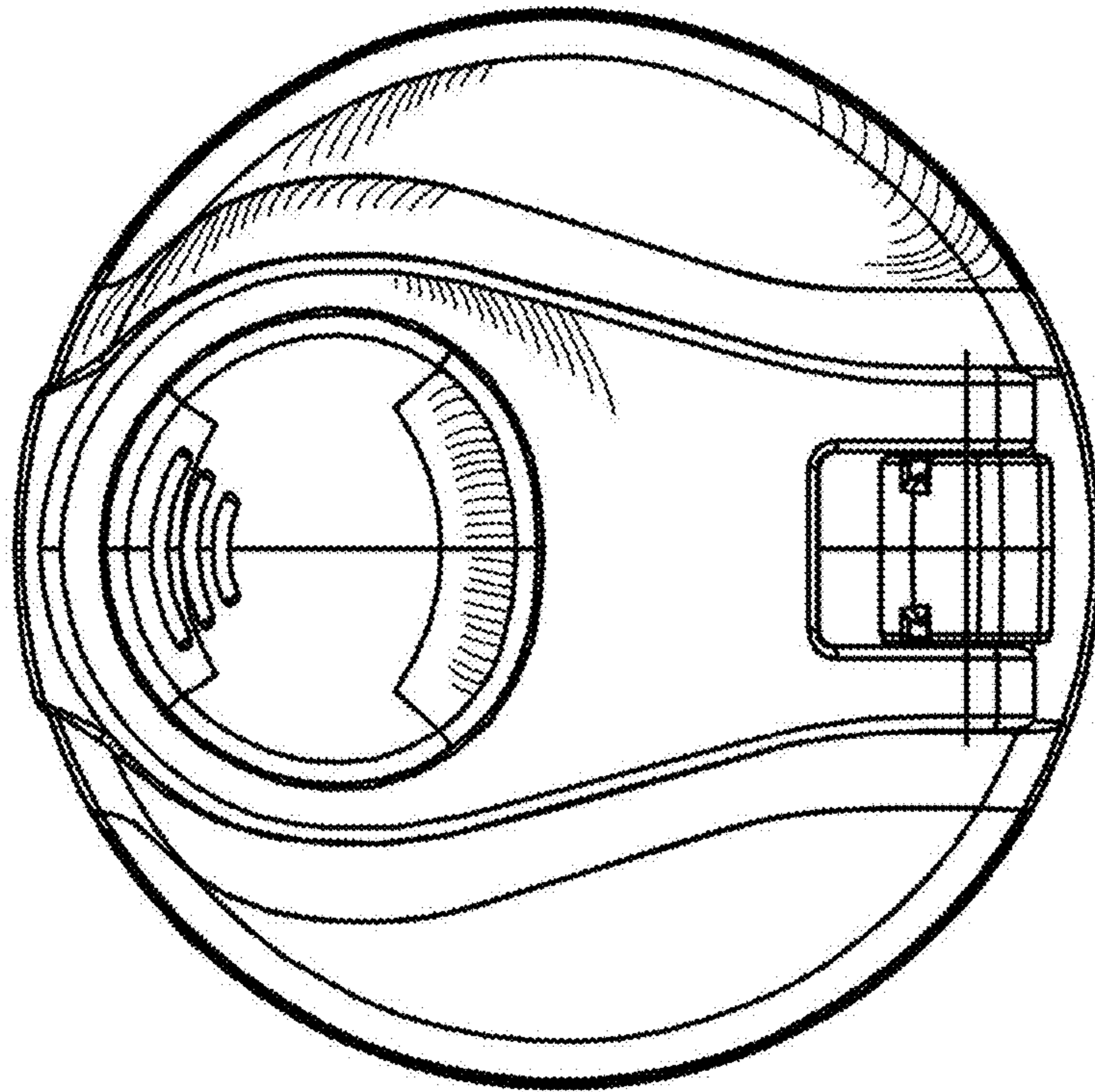


FIG.6

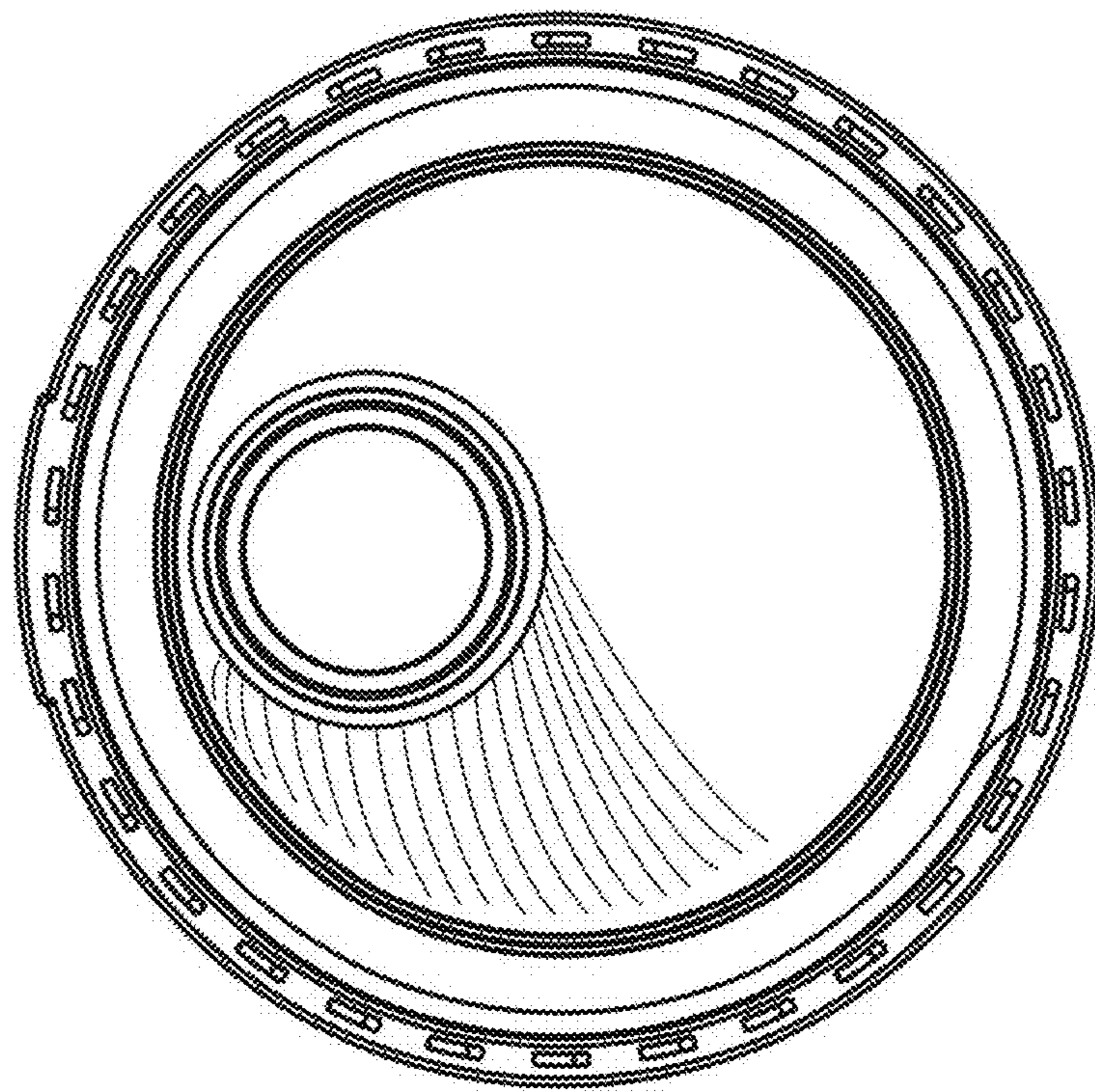


FIG. 7

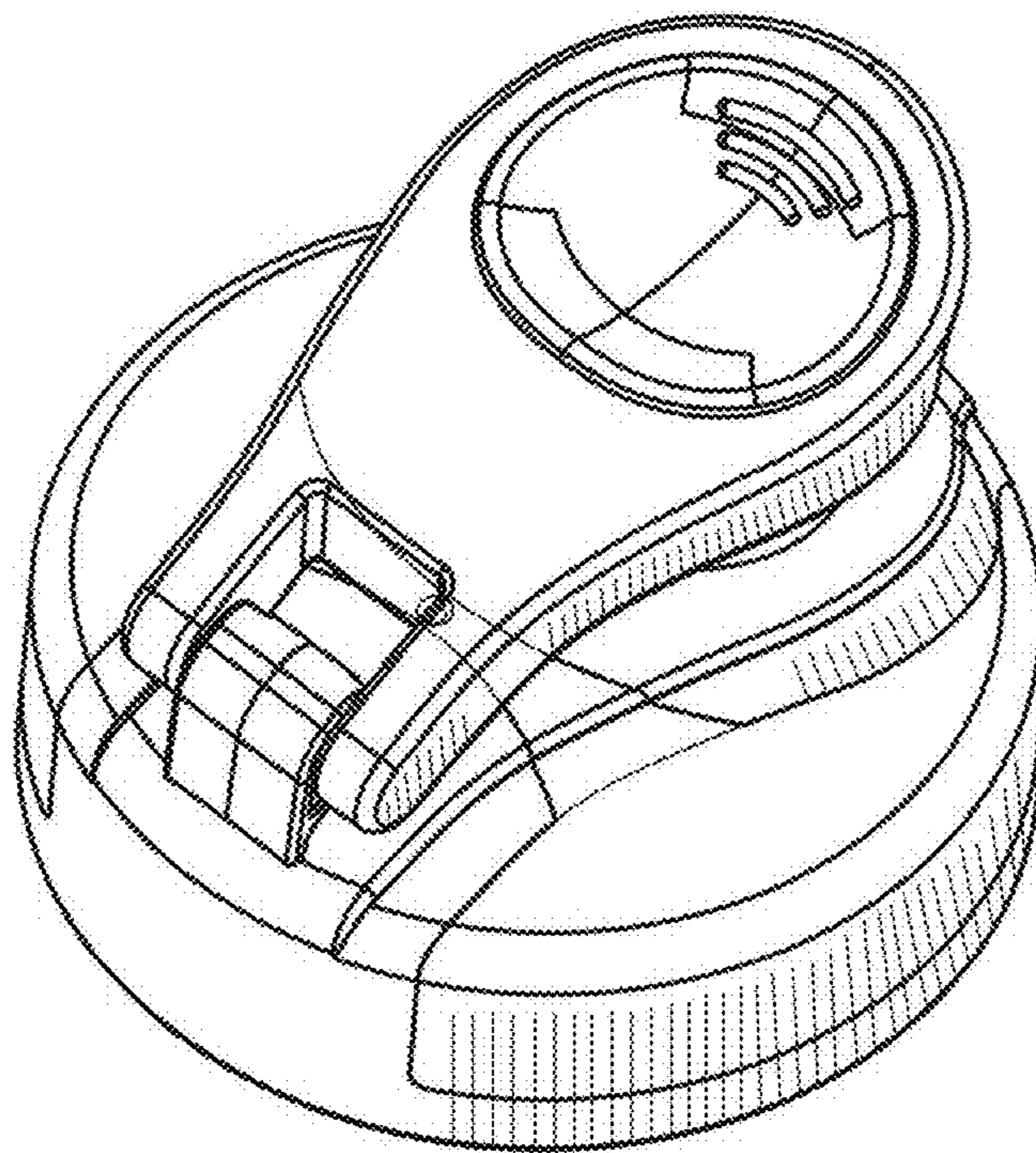


FIG.8