

US00D839661S

(12) **United States Design Patent** (10) **Patent No.:** **US D839,661 S**
Seiders et al. (45) **Date of Patent:** **** Feb. 5, 2019**

(54) **CONTAINER MOUNTING APPARATUS**

(71) Applicant: **YETI Coolers, LLC**, Austin, TX (US)

(72) Inventors: **Roy Joseph Seiders**, Austin, TX (US);
James William Sonntag, Austin, TX (US); **Christopher Mall Keller**, Austin, TX (US); **Steve Charles Nichols**, Austin, TX (US); **Martin Patrick Vespo**, Austin, TX (US)

(73) Assignee: **YETI Coolers, LLC**, Austin, TX (US)

(**) Term: **15 Years**

(21) Appl. No.: **29/610,449**

(22) Filed: **Jul. 12, 2017**

(51) **LOC (11) Cl.** **07-99**

(52) **U.S. Cl.**

USPC **D7/388**; D8/353

(58) **Field of Classification Search**

USPC D7/387, 388, 605, 213; D8/349, 353,
D8/354, 499; D23/249, 259

CPC A45F 5/00; F16M 11/00; F16M 11/04;
F25D 3/08; F25D 3/14; F25D 3/125;

F25D 25/02; F25D 25/005; H05K 5/0204

See application file for complete search history.

(56) **References Cited**

U.S. PATENT DOCUMENTS

1,565,686 A 12/1925 Titus
2,070,488 A 2/1937 McIntosh
2,628,062 A 2/1953 Weber

(Continued)

FOREIGN PATENT DOCUMENTS

DE 10210055 A1 10/2003
DE 102004041583 A1 3/2006

(Continued)

OTHER PUBLICATIONS

Sep. 29, 2017—(PCT) ISR & Written Opinion—App PCT/US2017/028288.

(Continued)

Primary Examiner — Derrick E Holland

Assistant Examiner — Andrew Kerr

(74) *Attorney, Agent, or Firm* — Banner & Witcoff, Ltd.

(57) **CLAIM**

The ornamental design for a container mounting apparatus, as shown and described.

DESCRIPTION

FIG. 1 is a top, front, right perspective view of a first embodiment of a container mounting apparatus showing our new design;

FIG. 2 is a front view thereof;

FIG. 3 is a rear view thereof;

FIG. 4 is a left side view thereof;

FIG. 5 is a right side view thereof;

FIG. 6 is a top view thereof;

FIG. 7 is a bottom view thereof;

FIG. 8 is a top, front, right perspective view of a second embodiment of a container mounting apparatus;

FIG. 9 is a front view thereof;

FIG. 10 is a rear view thereof;

FIG. 11 is a left side view thereof;

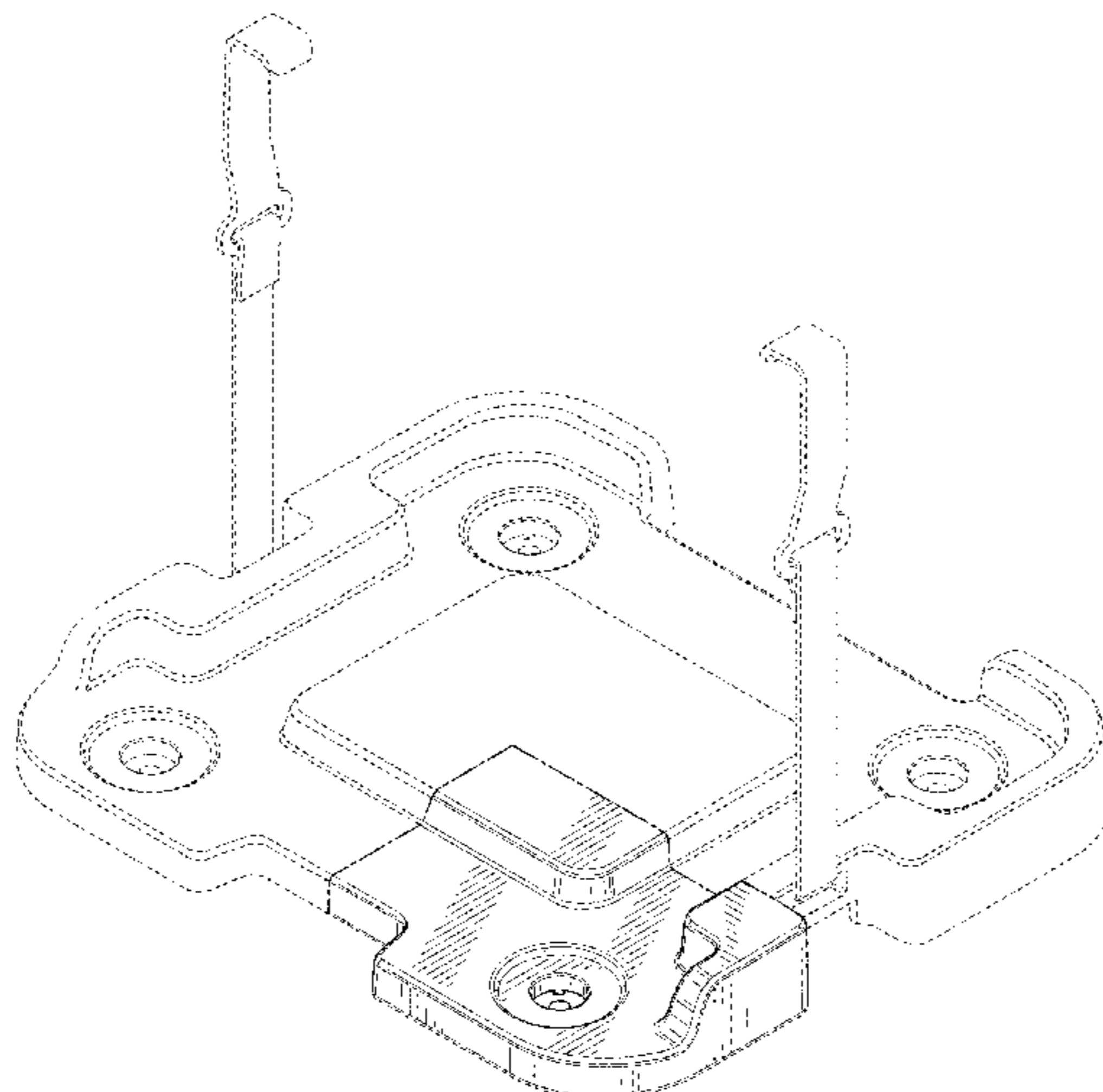
FIG. 12 is a right side view thereof;

FIG. 13 is a top view thereof; and,

FIG. 14 is a bottom view thereof.

The evenly spaced broken lines showing portions of the container mounting apparatus is for the purpose of illustrating environmental structure only and forms no part of the claimed design. The dash-dot broken lines in the drawing views define the bounds of the claimed design and form no part thereof. FIGS. 8-12 are shown with a symbolic break in its length. The appearance of any portion of the article between the break lines forms no part of the claimed design.

1 Claim, 10 Drawing Sheets



(56)

References Cited

U.S. PATENT DOCUMENTS

3,111,014 A 11/1963 Herrick
 3,439,835 A 4/1969 Reid
 3,592,359 A 7/1971 Marraffino
 3,863,673 A 2/1975 Sitton
 3,923,949 A 12/1975 Kane et al.
 D248,440 S 7/1978 Bryan et al.
 4,162,029 A 7/1979 Gottsegen et al.
 D253,369 S * 11/1979 Koelble D23/313
 4,181,243 A 1/1980 Frahm
 D261,391 S 10/1981 Ranua et al.
 4,351,455 A 9/1982 Bond
 4,367,572 A 1/1983 Zielenski
 D270,704 S 9/1983 Ruxton et al.
 4,440,316 A 4/1984 Christine
 D290,080 S 6/1987 Carlson
 4,742,851 A 5/1988 Lundblade
 4,805,859 A 2/1989 Hudson
 4,936,409 A 6/1990 Nix et al.
 5,165,645 A 11/1992 Brown
 5,222,631 A 6/1993 Hood
 D365,747 S * 1/1996 Grande D8/353
 D368,129 S 3/1996 Peeples
 5,535,883 A 7/1996 Henderson
 5,607,084 A 3/1997 George
 5,827,023 A 10/1998 Stull
 5,860,281 A 1/1999 Coffee et al.
 5,913,448 A 6/1999 Mann et al.
 5,971,218 A 10/1999 Le
 6,059,143 A 5/2000 Weir
 6,102,356 A 8/2000 Huntley et al.
 6,105,844 A 8/2000 Walters et al.
 6,126,046 A 10/2000 Baculy
 6,126,124 A * 10/2000 Wagner A45C 11/20
 248/127
 6,176,562 B1 1/2001 Hart
 6,302,051 B1 10/2001 Hemmingson
 D451,765 S 12/2001 Israel et al.
 6,386,557 B1 5/2002 Weldon
 6,401,752 B1 6/2002 Blackbourn et al.
 6,405,557 B1 * 6/2002 DeCastro B65D 1/36
 62/457.2
 6,427,886 B1 8/2002 Essex
 D468,071 S 12/2002 Le et al.
 6,491,189 B2 12/2002 Friedman
 6,527,153 B1 3/2003 Manos
 D472,762 S 4/2003 Song
 6,564,893 B2 5/2003 Lipman
 6,666,362 B1 12/2003 LeTrudet
 6,755,428 B2 6/2004 Butler
 6,845,786 B1 1/2005 Ophardt et al.
 D504,713 S 5/2005 Py et al.
 6,896,158 B2 5/2005 Leray et al.
 D528,368 S 9/2006 Maldonado
 D546,119 S * 7/2007 Dodge D7/388
 7,269,969 B2 9/2007 Strickland et al.
 7,311,229 B1 12/2007 Wrigley
 7,328,818 B2 2/2008 Prabucki
 7,331,559 B2 2/2008 Hirayu
 D566,479 S 4/2008 Kabalin
 D571,188 S * 6/2008 Brassard D8/354
 7,455,281 B2 11/2008 Craft
 7,669,828 B2 3/2010 Hardy et al.
 7,802,709 B1 9/2010 Lewis et al.
 D626,406 S * 11/2010 Tedesco D8/380
 7,841,635 B2 11/2010 Fuchs
 D628,566 S * 12/2010 Molter D14/239
 D648,006 S 11/2011 Morishita
 D651,860 S 1/2012 Nie
 8,123,236 B1 2/2012 Helenihi
 D662,572 S * 6/2012 Marquis-Martin D23/259
 8,230,697 B2 7/2012 Lavallee
 D674,245 S 1/2013 Williams, Jr. et al.
 D693,220 S 11/2013 Luo
 D695,568 S 12/2013 Hayes
 8,746,498 B2 6/2014 Maldonado et al.

8,827,230 B2 9/2014 Nemoto
 8,875,934 B2 11/2014 Deka
 8,950,989 B1 2/2015 Rivera
 9,057,552 B2 6/2015 Vanderberg et al.
 D738,470 S 9/2015 Eaton et al.
 9,126,747 B2 9/2015 Burgess et al.
 9,150,163 B2 10/2015 Cronkright, II et al.
 9,150,353 B2 10/2015 Jackson
 D746,128 S * 12/2015 Stanton D8/380
 9,199,657 B2 12/2015 Martin
 9,227,571 B1 1/2016 Wilkens
 9,227,768 B2 1/2016 Quick et al.
 D749,653 S 2/2016 Carnes
 9,278,704 B2 3/2016 Cates
 9,352,698 B2 5/2016 Romanelli
 D767,973 S * 10/2016 DeDios-Shirley D8/349
 D772,383 S 11/2016 Gill
 D773,621 S 12/2016 Gill
 D775,952 S 1/2017 Kim
 9,533,814 B2 1/2017 Brooks
 9,543,558 B2 1/2017 Templeman et al.
 9,550,508 B1 1/2017 Parra
 D782,620 S 3/2017 Becker et al.
 D785,140 S 4/2017 Gross
 D787,648 S 5/2017 Smith
 9,750,371 B2 9/2017 Bungard et al.
 9,878,841 B2 1/2018 Holderness et al.
 2002/0038745 A1 4/2002 Lamming
 2004/0232637 A1 11/2004 Butler
 2004/0251444 A1 12/2004 Levey et al.
 2005/0127081 A1 6/2005 Leba et al.
 2006/0260327 A1 11/2006 Kanamori et al.
 2006/0261088 A1 11/2006 Chin
 2006/0261111 A1 11/2006 McCoy et al.
 2007/0045368 A1 3/2007 Lavelle
 2007/0095998 A1 5/2007 Gray
 2007/0152002 A1 7/2007 Dollar
 2007/0152003 A1 7/2007 Dollar
 2007/0181615 A1 8/2007 Allanson et al.
 2007/0187435 A1 8/2007 Quirk
 2008/0178629 A1 7/2008 Meether
 2009/0241584 A1 10/2009 Hayes et al.
 2010/0212351 A1 8/2010 Chapin et al.
 2010/0215455 A1 8/2010 Burris
 2011/0062156 A1 3/2011 Smeaton
 2011/0240684 A1 10/2011 McSavaney
 2012/0111892 A1 5/2012 Leith, Sr. et al.
 2014/0252010 A1 9/2014 Miller
 2015/0048118 A1 2/2015 English et al.
 2015/0182012 A1 7/2015 Thornton et al.
 2015/0375918 A1 12/2015 Holderness et al.
 2016/0114347 A1 4/2016 Kosarnig
 2016/0220925 A1 8/2016 Savoy et al.
 2016/0340217 A1 11/2016 Kuennen et al.
 2017/0203308 A1 7/2017 Huang

FOREIGN PATENT DOCUMENTS

EP 2873626 A1 5/2015
 GB 484091 A 4/1938
 WO 10044074 A1 4/2010

OTHER PUBLICATIONS

MVP 7812 package—3 Burner Grill, Tailgate Transport & Ice Chest Tray [online], [retrieved Oct. 12, 2017], Retrieved from the Internet, URL: <<http://partykinggrills.com/shop/mvp-grill-tailgate-transport-ice-chest-tray/>>; 5 color pages, date unknown, but for purposes of patent prosecution presumably more than a year prior to the filing date of the present application.
 Great Day Hitch-N-Ride Cargo Carriers—HNR100TF [online], [retrieved Oct. 12, 2017], Retrieved from the Internet, URL: <<http://www.autoanything-com/roof-racks/77A7418A4464928.aspx>>; 3 color pages, published date unknown, but for purposes of patent prosecution presumably more than a year prior to the filing date of the present application.

(56)

References Cited

OTHER PUBLICATIONS

Rubbermaid FG9F1900BLA ProServe Black Dolly with Retention Strap for 9F12, 9F13, 9F14, 9F15, and 9F16 Insulated Food Pan Carrier [online], [retrieved Oct. 12, 2017], Retrieved from the Internet, URL: <<https://www.webstaurantstore.com/rubbermaid-9f19-proserve-black-dolly-with-retention-strap-for-9f12-9f13-9f14-9f15-and-9f16-insulated-food-pan-carrier-fg9f1900bla/6909F19.html>>; 4 color pages, published date unknown, but for purposes of patent prosecution presumably more than a year prior to the filing date of the present application.

Yeti Cooler Mounted In Baja Basket—Photo 08 [online], [retrieved Oct. 12, 2017], Retrieved from the Internet, URL: <<http://www.fourwheeler.com/how-to/body-chassis/1503-adding-synergy-manufacturings-baja-basket-storage-solution/photo-08.html>>; 6 color pages, published date unknown, but for purposes of patent prosecution presumably more than a year prior to the filing date of the present application.

Now Selling Cooler Commander (7 Pictures) [online], [retrieved Oct. 12, 2017], Retrieved from the Internet, URL: <<http://www.rzrforums.net/utv-family/304697-now-selling-cooler-commander-7-pictures.html>>; 7 color pages, published date unknown, but for purposes of patent prosecution presumably more than a year prior to the filing date of the present application.

Engel USA Cooler Tie-Down Strap Kit [online], [retrieved Oct. 12, 2017], Retrieved from the Internet, URL: <<https://www.amazon.com/Engel-USA-Cooler-Tie-Down-Strap/dp/B0078T3MWY>>; 6 color pages, published date unknown, but for purposes of patent prosecution presumably more than a year prior to the filing date of the present application.

Yeti Cooler Slide Out Mounting Kit [online], [retrieved Oct. 12, 2017], Retrieved from the Internet, URL: <<http://archive.constantcontact.com/fs085/1102686599059/archive/1108110340931.html>>; 5 color pages, published date unknown, but for purposes of patent prosecution presumably more than a year prior to the filing date of the present application.

ARB [online], [retrieved Oct. 12, 2017], Retrieved from the Internet, URL: <https://www.streetsideauto.com/p/arb-10900010/?utm_source=googlepepla&utm_medium=adword&gclid=CPT3omE69MCFRtYDQodyVIBUg>; 2 color pages, published date unknown, but for purposes of patent prosecution presumably more than a year prior to the filing date of the present application. U.S. Appl. No. 29/610,436, filed Jul. 12, 2017, by Roy Joseph Seiders, James William Sonntag, Christopher Mall Keller, Steve Charles Nichols and Martin Patrick Vespo.

U.S. Appl. No. 29/610,438, filed Jul. 12, 2017, by Roy Joseph Seiders, James William Sonntag, Christopher Mall Keller, Steve Charles Nichols and Martin Patrick Vespo.

U.S. Appl. No. 29/610,442, filed Jul. 12, 2017, by Roy Joseph Seiders, James William Sonntag, Christopher Mall Keller, Steve Charles Nichols and Martin Patrick Vespo.

U.S. Appl. No. 29/610,450, filed Jul. 12, 2017, by Roy Joseph Seiders, James William Sonntag, Christopher Mall Keller, Steve Charles Nichols and Martin Patrick Vespo.

U.S. Appl. No. 29/610,457, filed Jul. 12, 2017, by Roy Joseph Seiders, James William Sonntag, Christopher Mall Keller, Steve Charles Nichols and Martin Patrick Vespo.

U.S. Appl. No. 29/610,460, filed Jul. 12, 2017, by Roy Joseph Seiders, James William Sonntag, Christopher Mall Keller, Steve Charles Nichols and Martin Patrick Vespo.

U.S. Appl. No. 29/610,464, filed Jul. 12, 2017, by Roy Joseph Seiders, James William Sonntag, Christopher Mall Keller, Steve Charles Nichols and Martin Patrick Vespo.

U.S. Appl. No. 29/610,468, filed Jul. 12, 2017, by Roy Joseph Seiders, James William Sonntag, Christopher Mall Keller, Steve Charles Nichols and Martin Patrick Vespo.

U.S. Appl. No. 29/623,548, filed Oct. 25, 2017, by Roy Joseph Seiders, James William Sonntag, Christopher Mall Keller, Steve Charles Nichols and Martin Patrick Vespo.

* cited by examiner

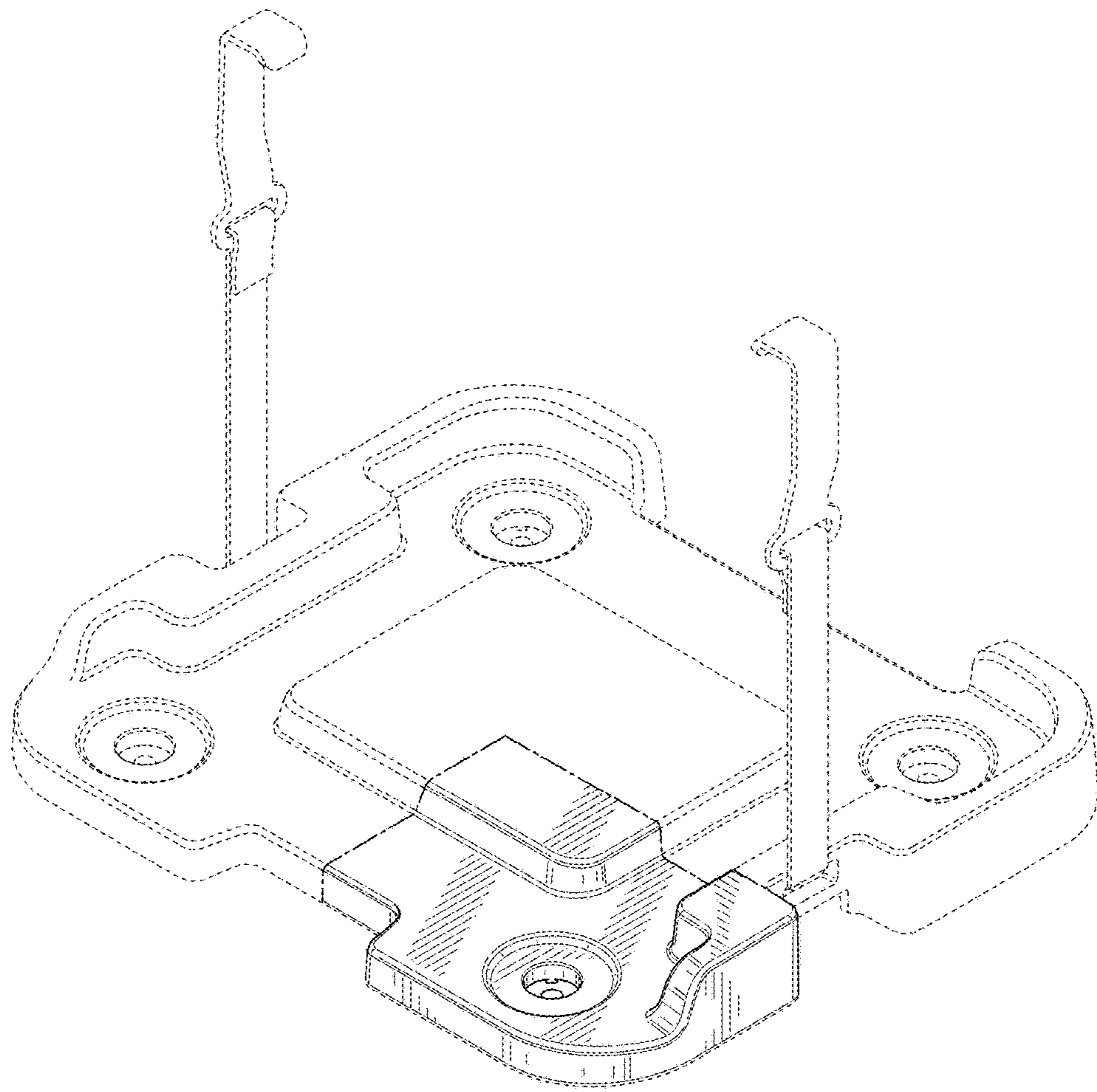


FIG. 1

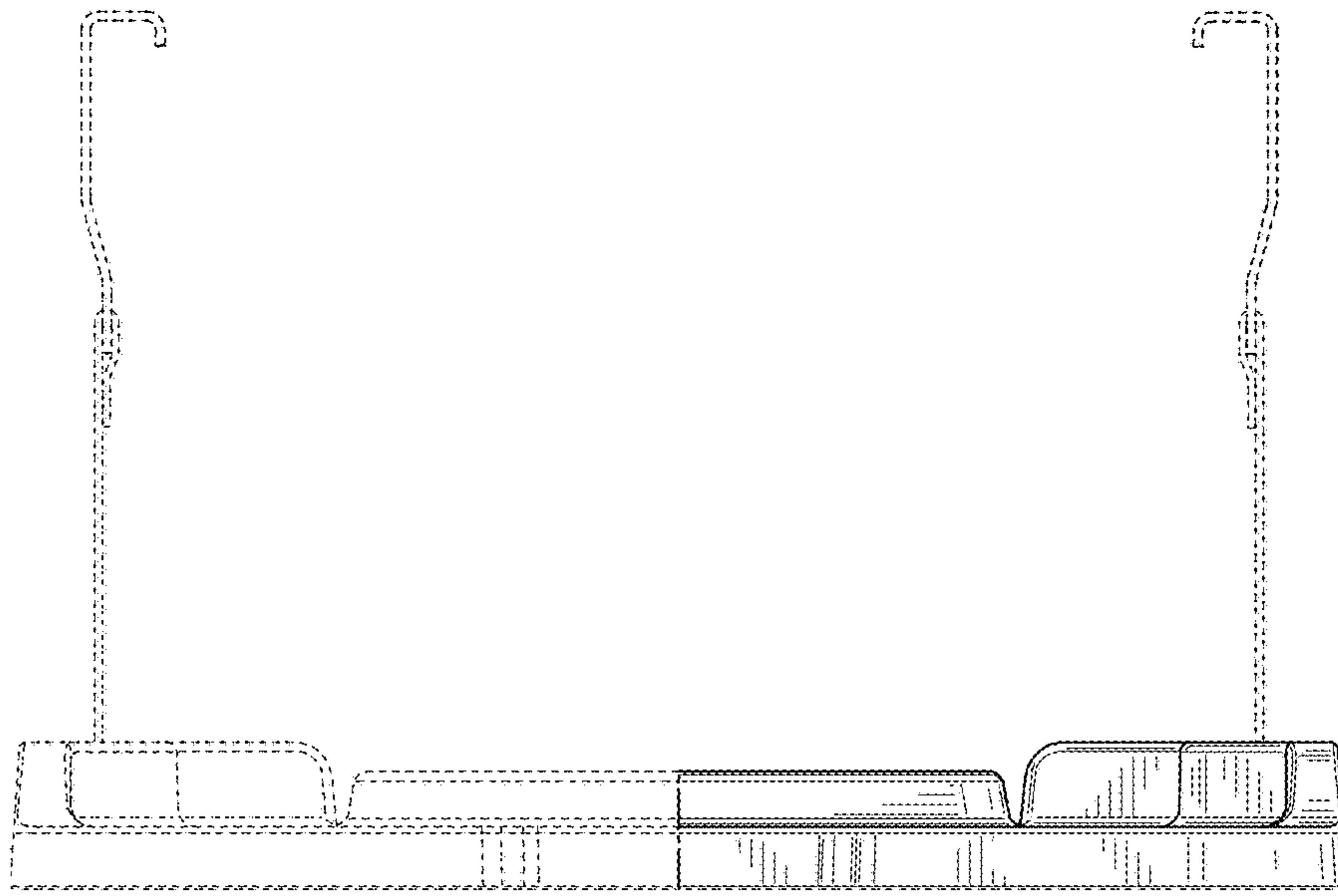


FIG. 2

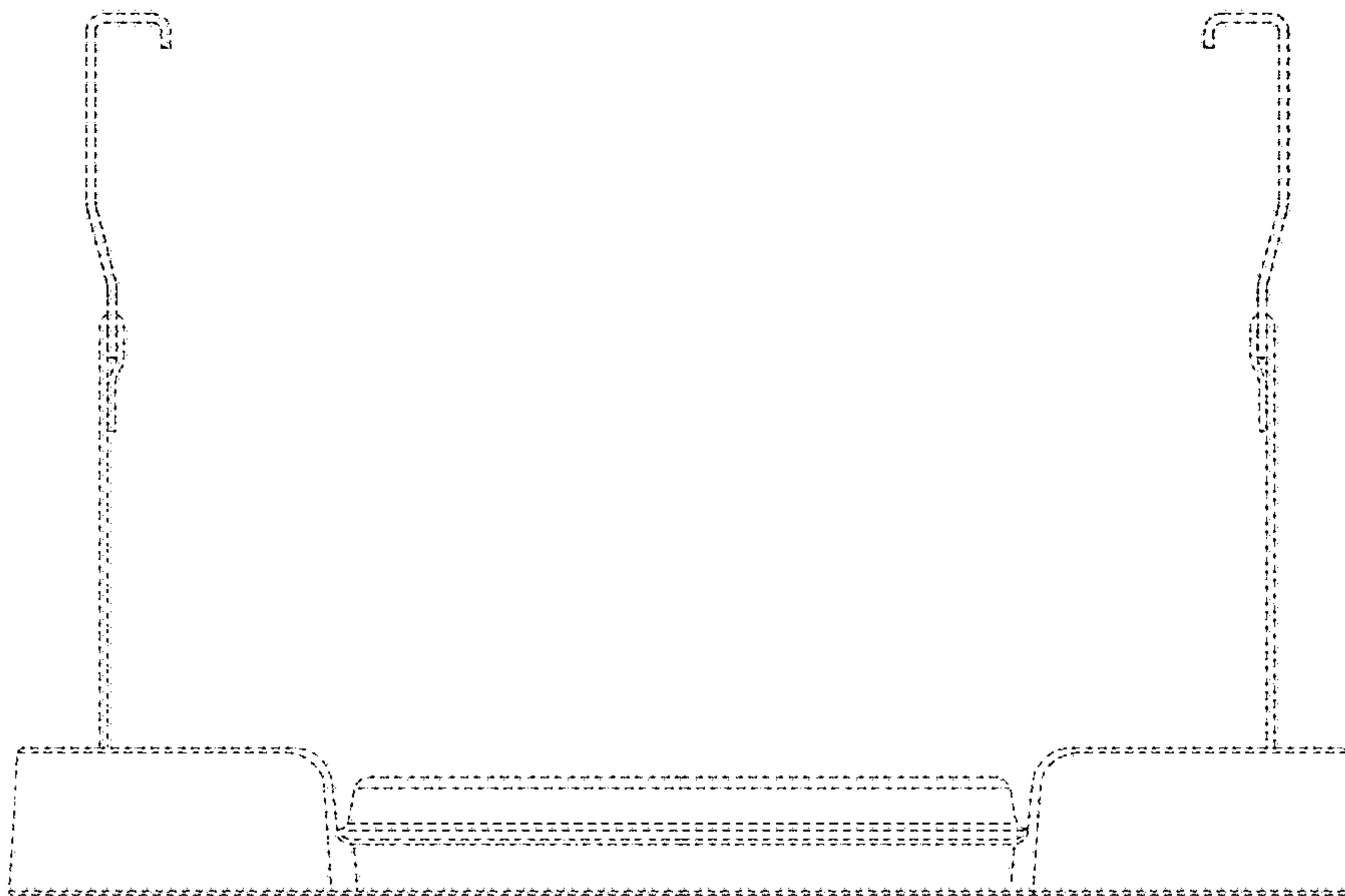


FIG. 3

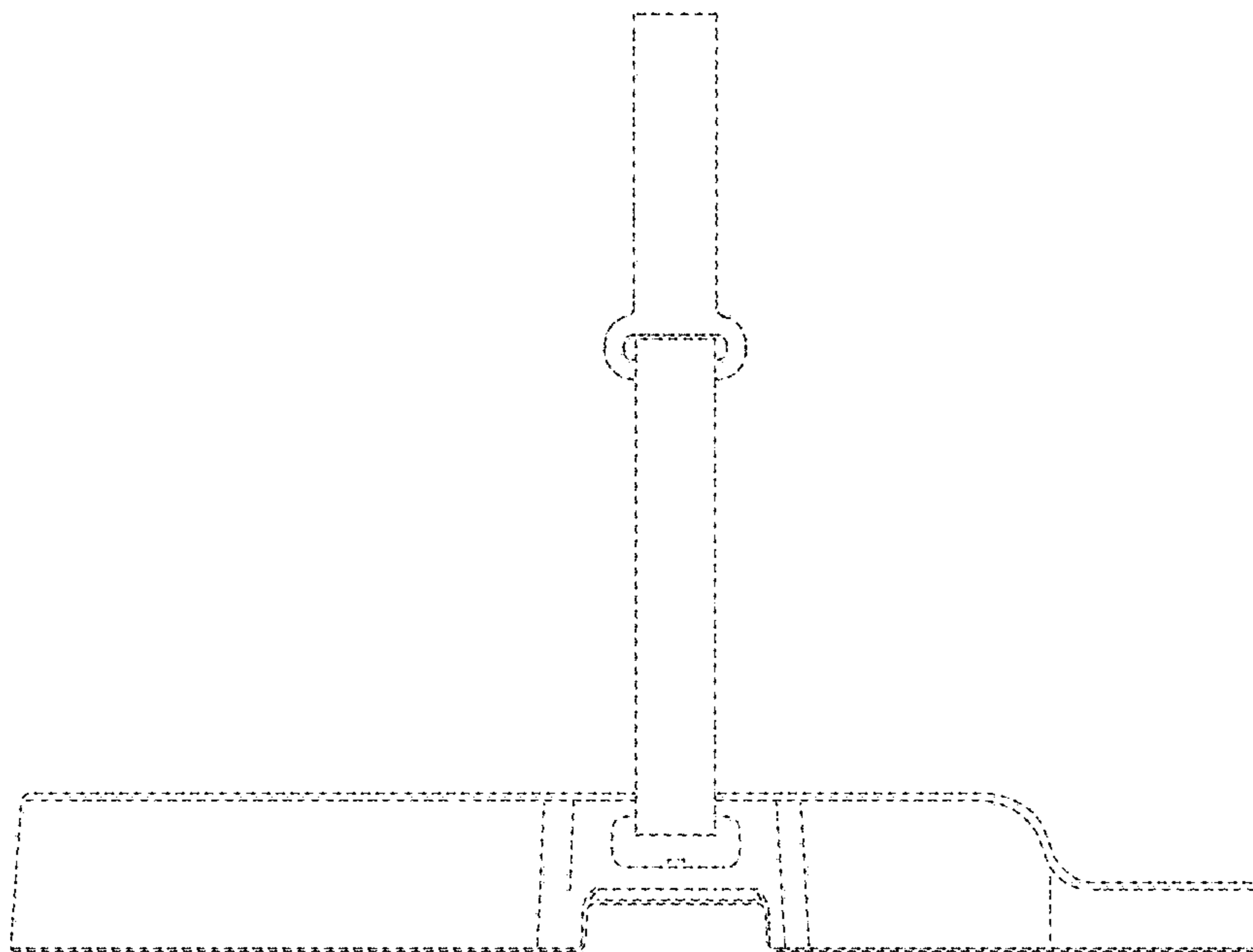


FIG. 4

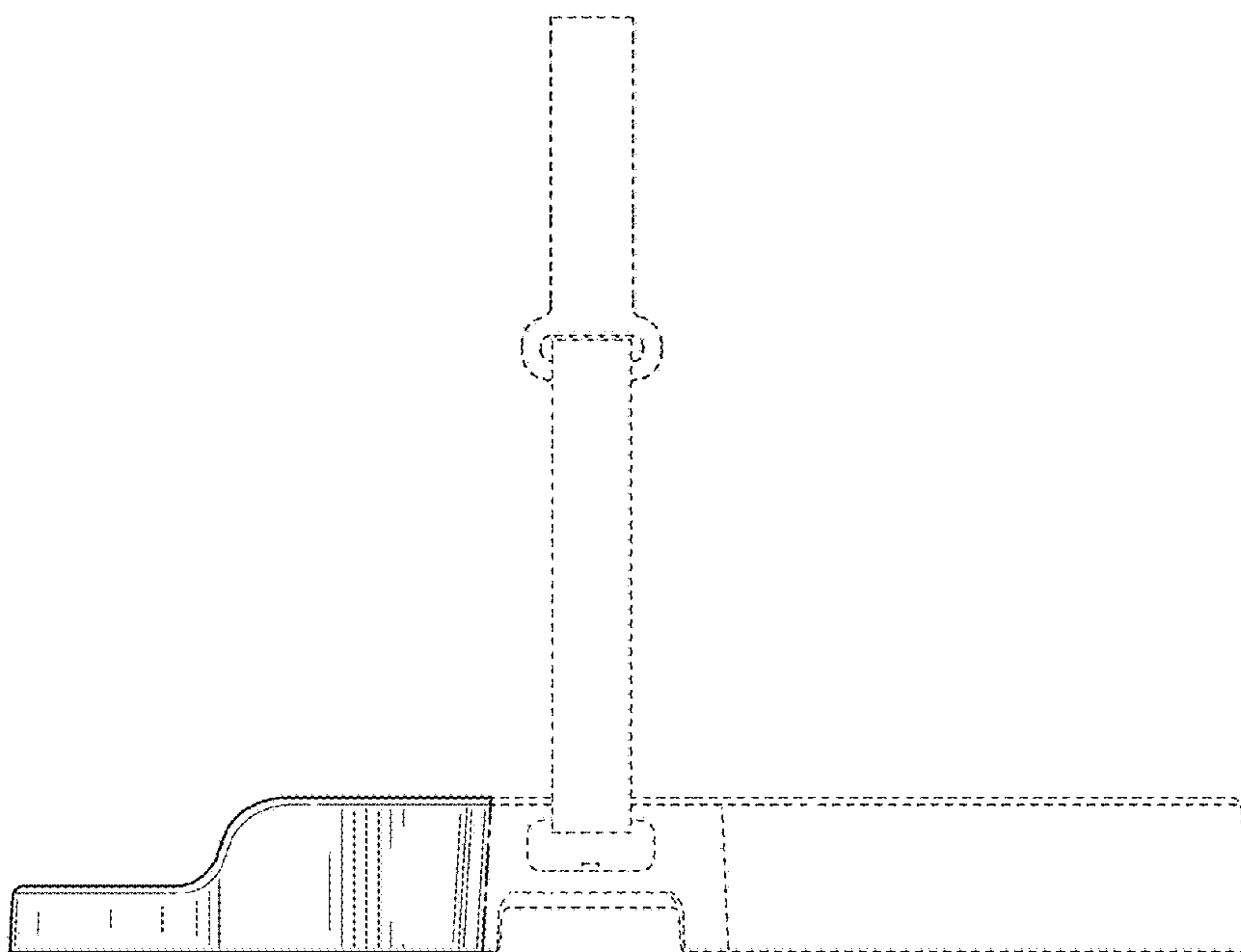


FIG. 5

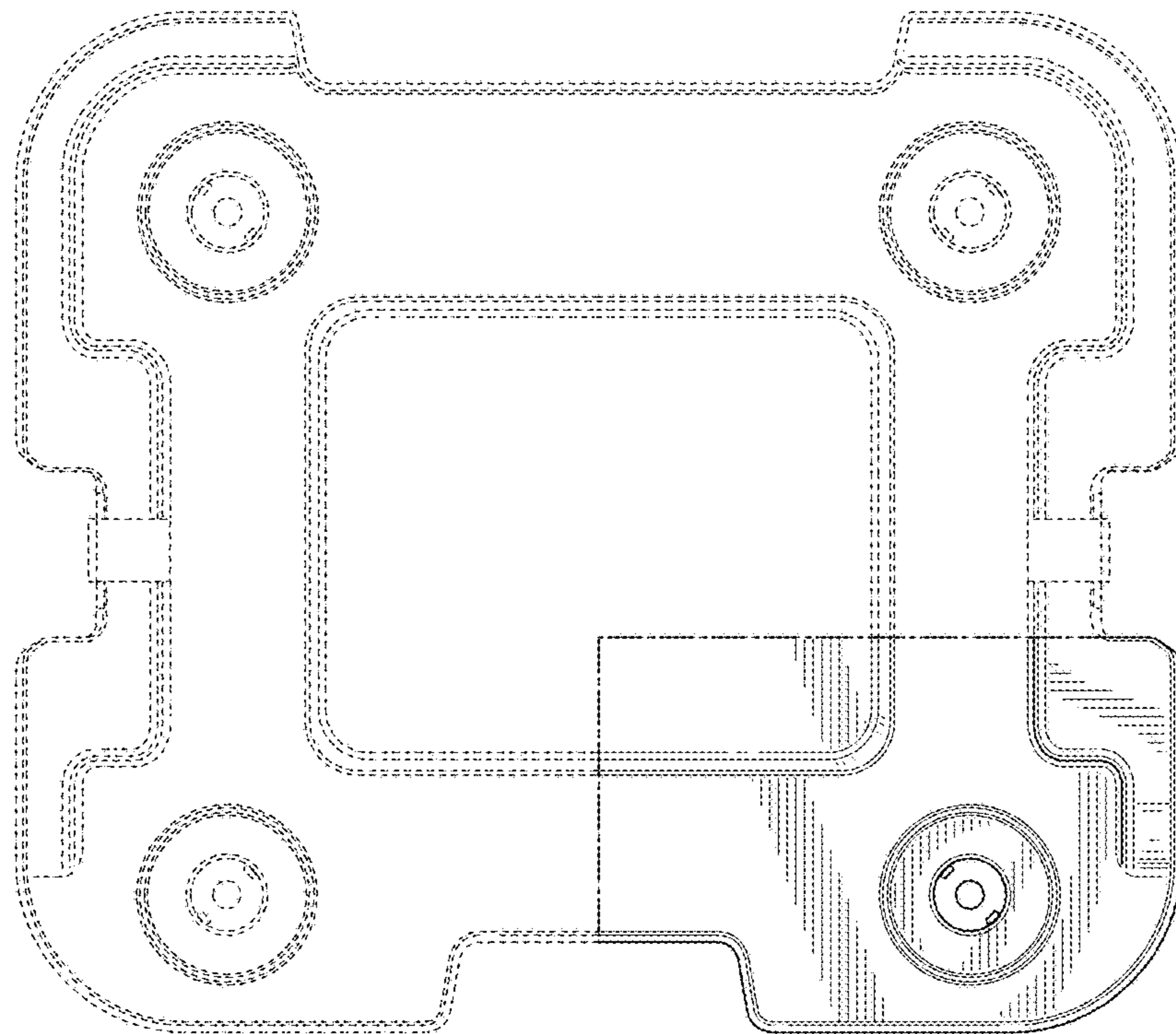


FIG. 6

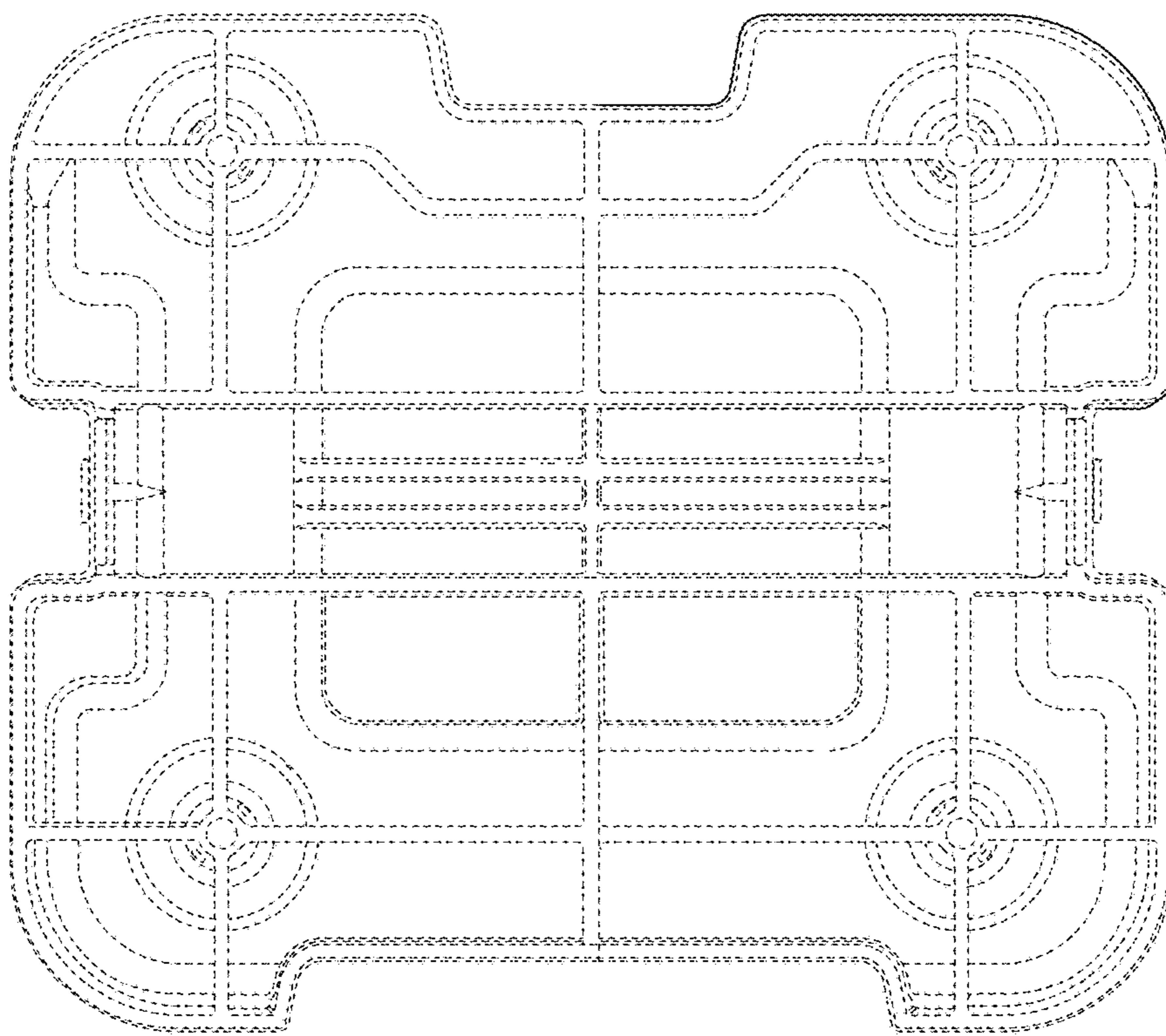


FIG. 7

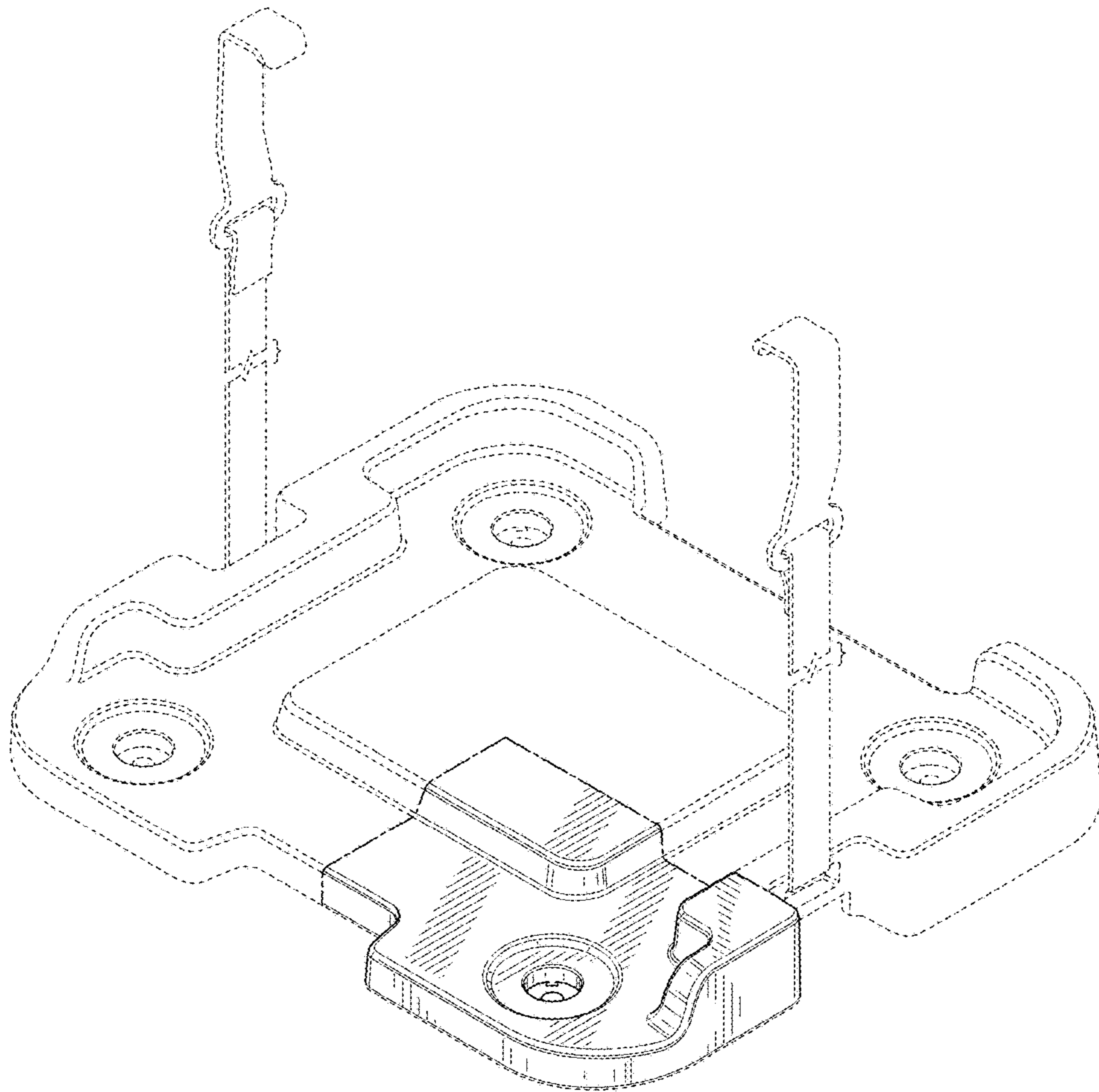


FIG. 8

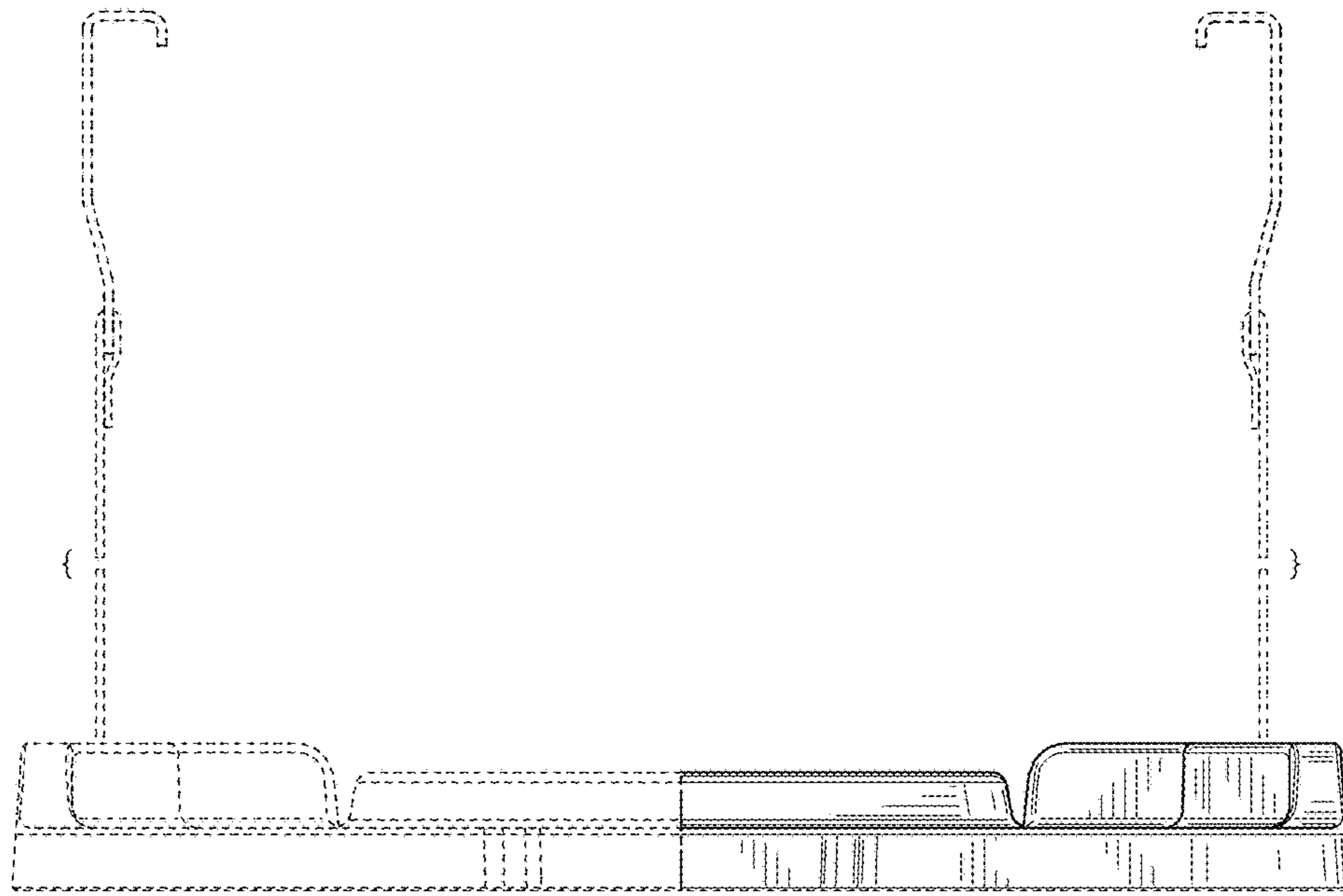


FIG. 9

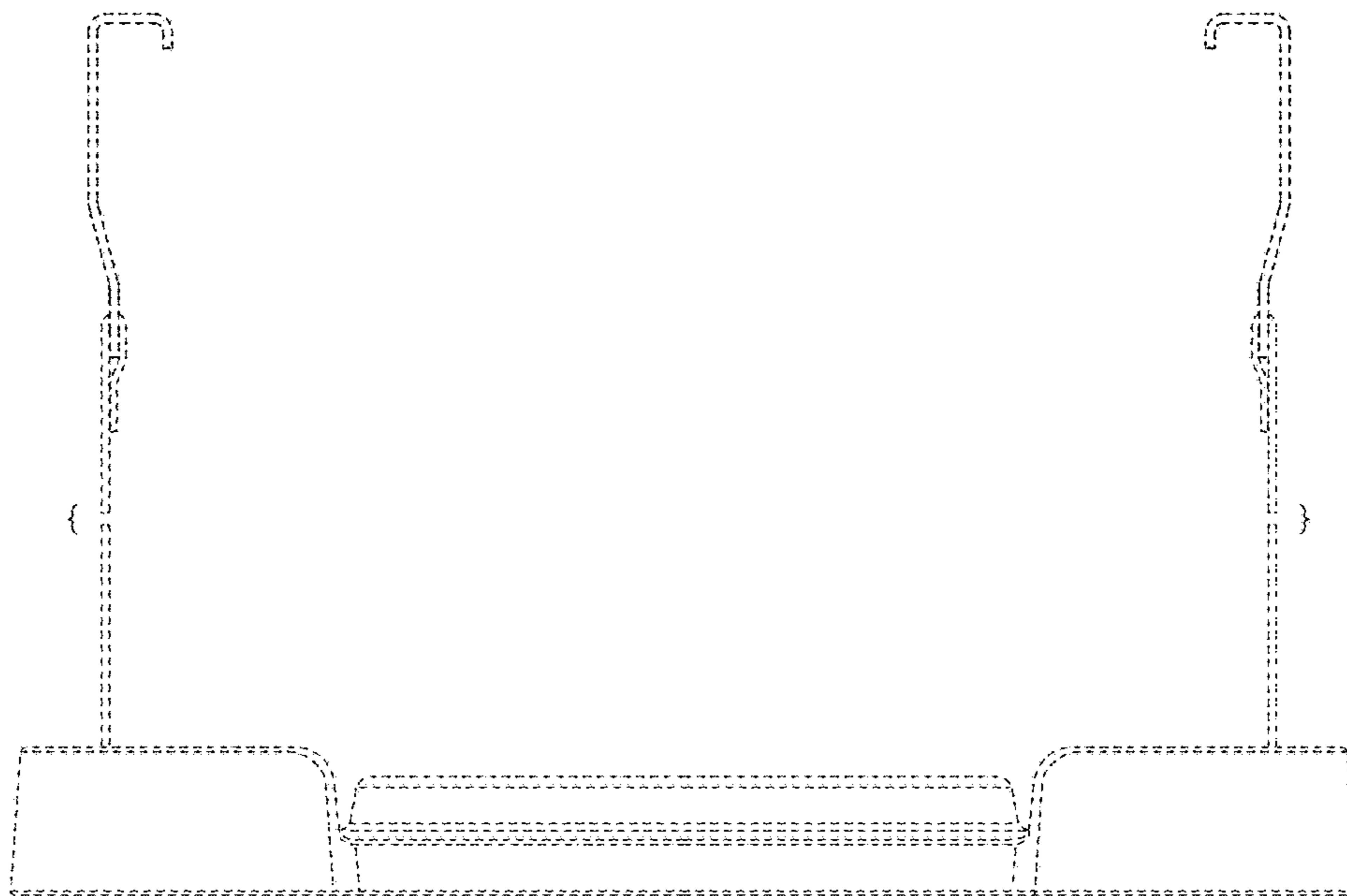


FIG. 10

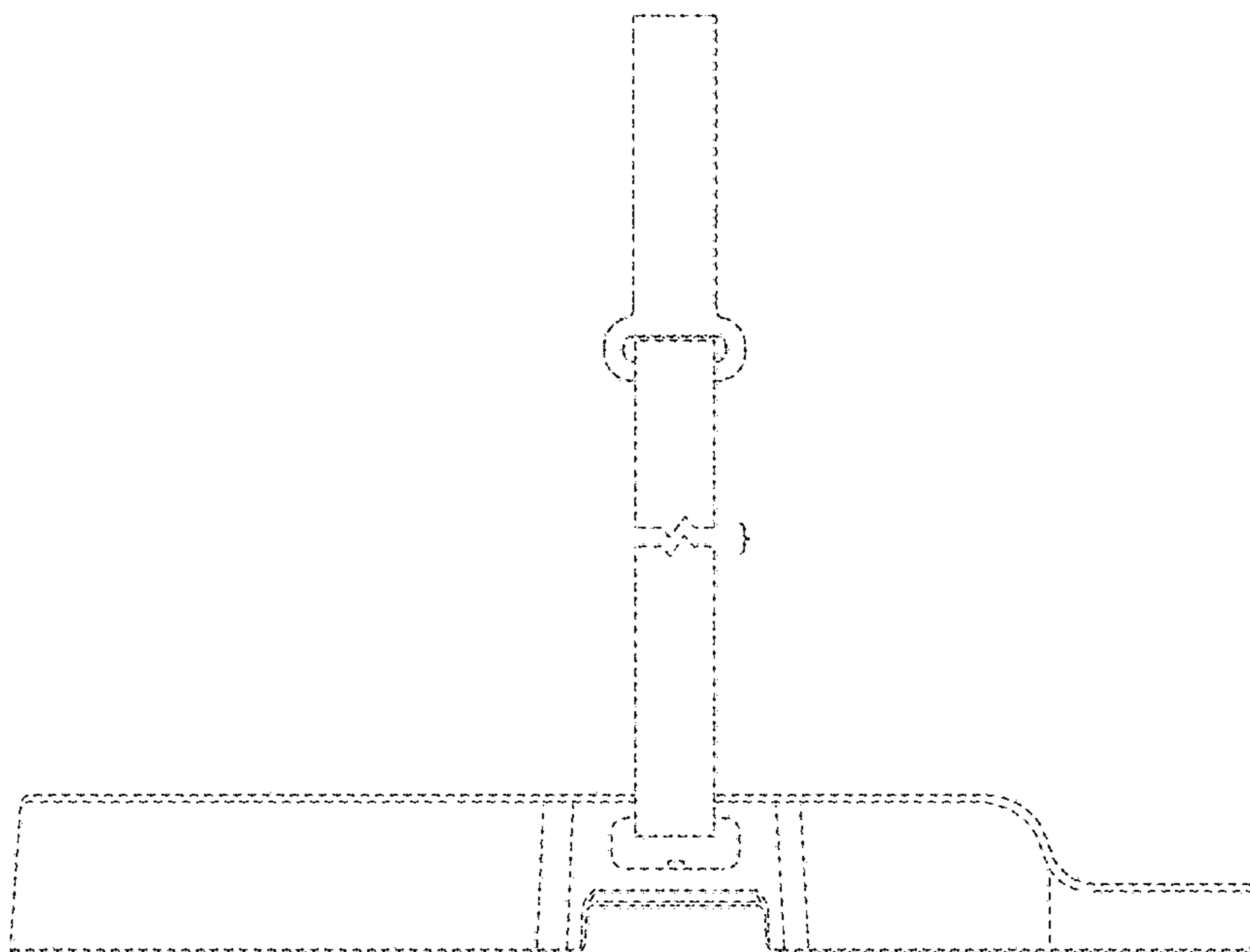


FIG. 11

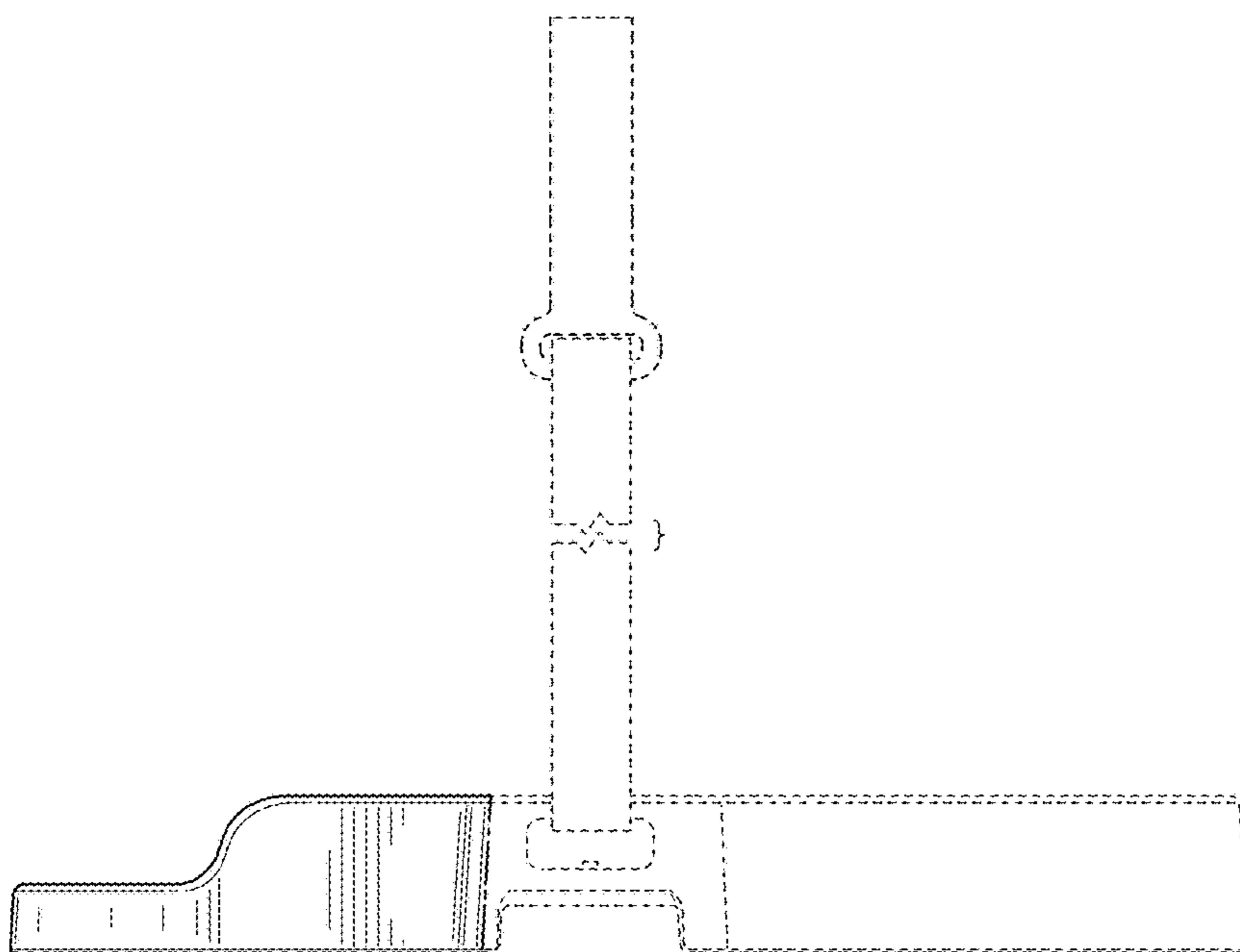


FIG. 12

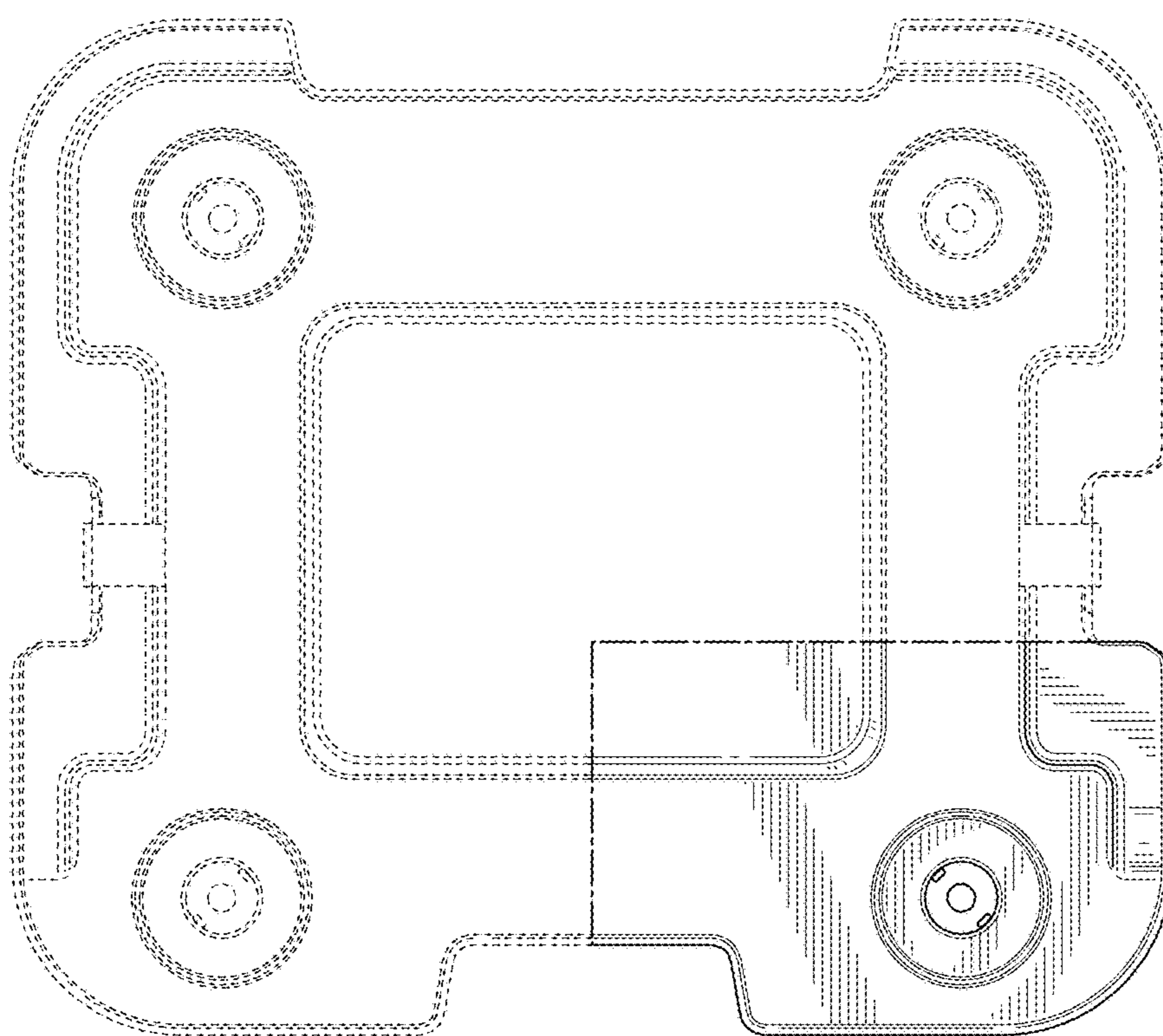


FIG. 13

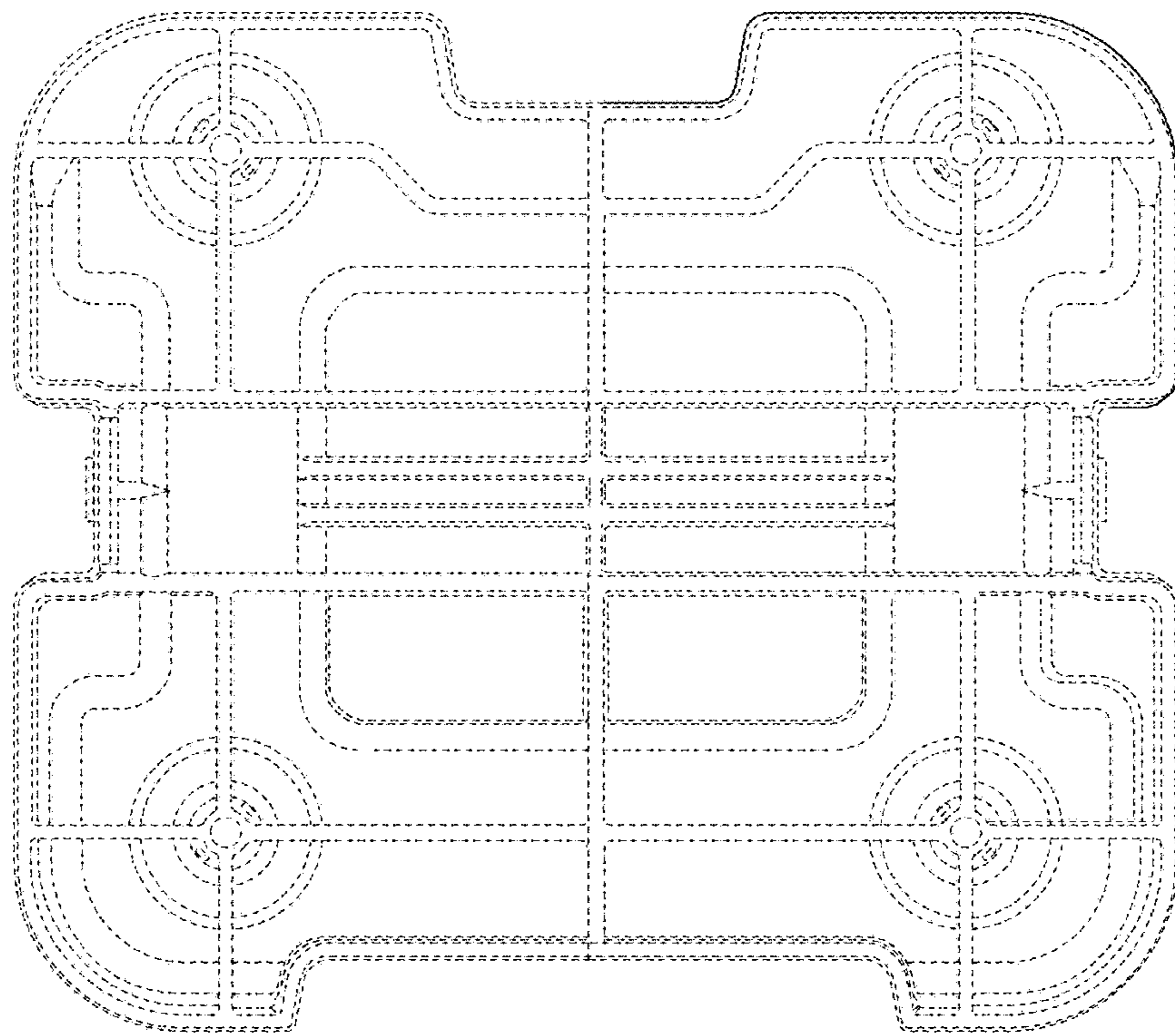


FIG. 14