



US00D839660S

(12) **United States Design Patent** (10) **Patent No.:** **US D839,660 S**
Chang (45) **Date of Patent:** **** Feb. 5, 2019**

(54) **GRILL**
(71) Applicant: **Tsann Kuen (Zhangzhou) Enterprise Co., Ltd., Zhangzhou (CN)**
(72) Inventor: **Wenyu Chang, Tainan (TW)**
(73) Assignee: **Tsann Kuen (Zhangzhou) Enterprise Co., Ltd., Zhang Zhou (CN)**
(**) Term: **15 Years**
(21) Appl. No.: **29/591,965**
(22) Filed: **Jan. 25, 2017**

D622,108 S * 8/2010 McKnight D7/619.1
D658,922 S * 5/2012 Fallon D7/300
D666,273 S * 8/2012 Shi D23/207
D693,189 S * 11/2013 Facey D7/354
D706,569 S * 6/2014 Fung D7/352
9,226,343 B2 * 12/2015 Moon H05B 6/1209
D746,629 S * 1/2016 Ji D7/376
D748,427 S * 2/2016 Roux D7/376
D749,888 S * 2/2016 Magistro D7/354
D756,158 S * 5/2016 Krawiec D7/332
D759,425 S * 6/2016 Castriota D7/354
D772,642 S * 11/2016 Lownds D7/376
D803,677 S * 11/2017 Yang D9/428
D805,344 S * 12/2017 Yuan D7/378
D807,108 S * 1/2018 Borovicka D7/362
D814,849 S * 4/2018 Lee D7/367

(Continued)

(30) **Foreign Application Priority Data**
Oct. 15, 2016 (CN) 2016 3 0504734
(51) **LOC (11) Cl.** **31-00**
(52) **U.S. Cl.**
USPC **D7/378**
(58) **Field of Classification Search**
USPC D7/318-319, 321, 323, 328-330, 337,
D7/347, 352-364, 367, 397, 402, 403,
D7/409-411
CPC A47J 37/00; A47J 37/06; A47J 37/067;
A47J 37/0611; A47J 27/62
See application file for complete search history.

Primary Examiner — Barbara Fox
Assistant Examiner — Mehri F Bajoul
(74) *Attorney, Agent, or Firm* — Wang Law Firm, Inc.

(57) **CLAIM**

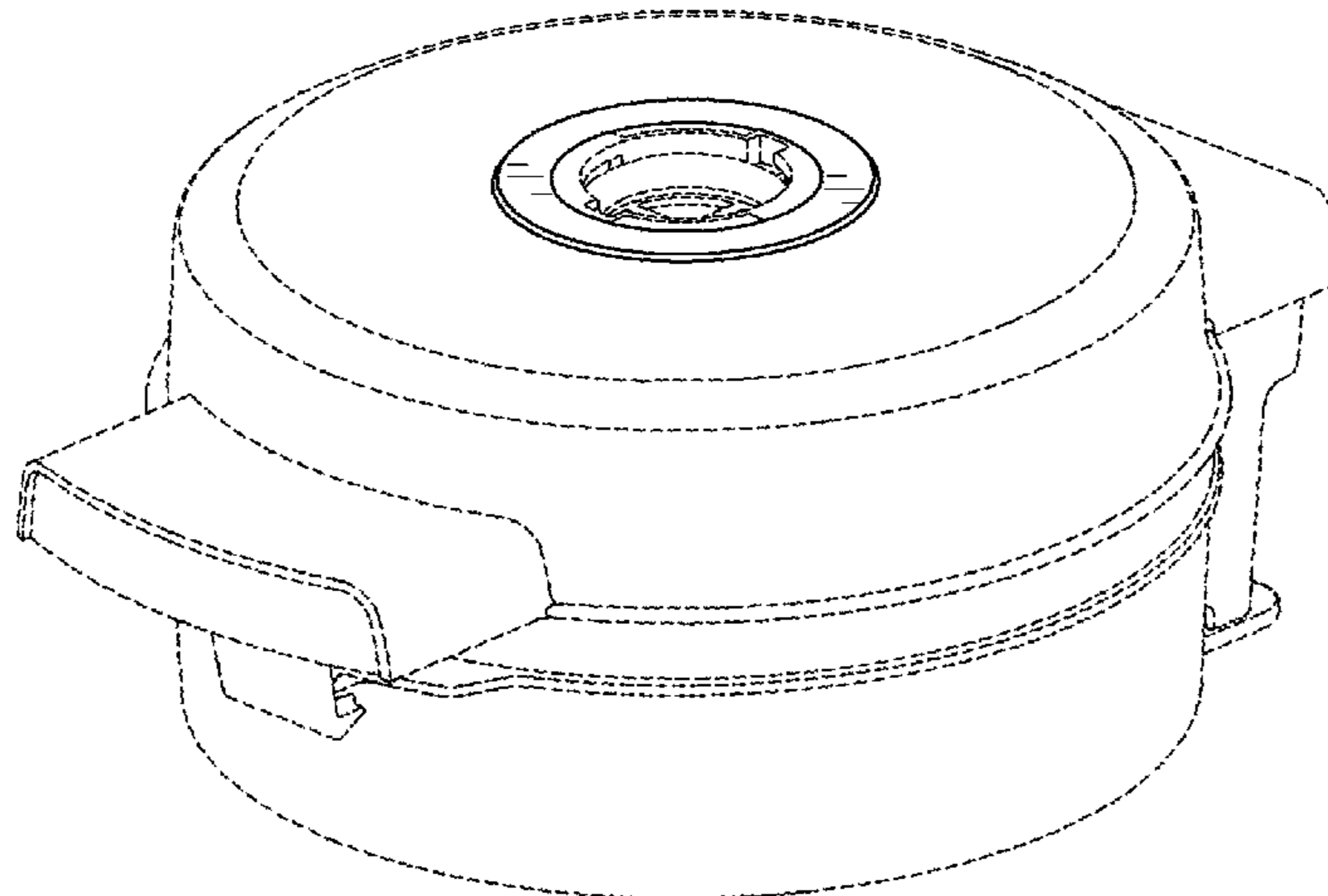
The ornamental design for a grill, as shown and described.

DESCRIPTION

FIG. 1 is a front view of a grill showing my new design;
FIG. 2 is a rear view thereof;
FIG. 3 is a left side view thereof;
FIG. 4 is a right side view thereof;
FIG. 5 is a top plan view thereof;
FIG. 6 is a bottom plan view thereof;
FIG. 7 is a top front perspective view thereof;
FIG. 8 is a bottom front perspective view thereof;
FIG. 9 is a top front perspective view in a first use position thereof; and,
FIG. 10 is a bottom front perspective view in a second use position thereof.
The broken lines shown in the drawings depict portions of the grill that form no part of the claimed design.

(56) **References Cited**
U.S. PATENT DOCUMENTS
D292,164 S * 10/1987 Oh D7/354
D299,609 S * 1/1989 Madl D7/352
D332,891 S * 2/1993 Cumberland D12/419
D336,596 S * 6/1993 Osgood D7/542
D376,315 S * 12/1996 Gumowitz D7/354
D397,915 S * 9/1998 McNaughton D7/619.1
6,446,544 B1 * 9/2002 Creighton A47J 37/10
99/339
D543,077 S * 5/2007 Kim D7/629

1 Claim, 10 Drawing Sheets



(56)

References Cited

U.S. PATENT DOCUMENTS

2005/0217498 A1* 10/2005 Miller A47J 37/01
99/426
2017/0049268 A1* 2/2017 Zhan A47J 37/0611
2017/0224156 A1* 8/2017 Chang A47J 37/0611

* cited by examiner

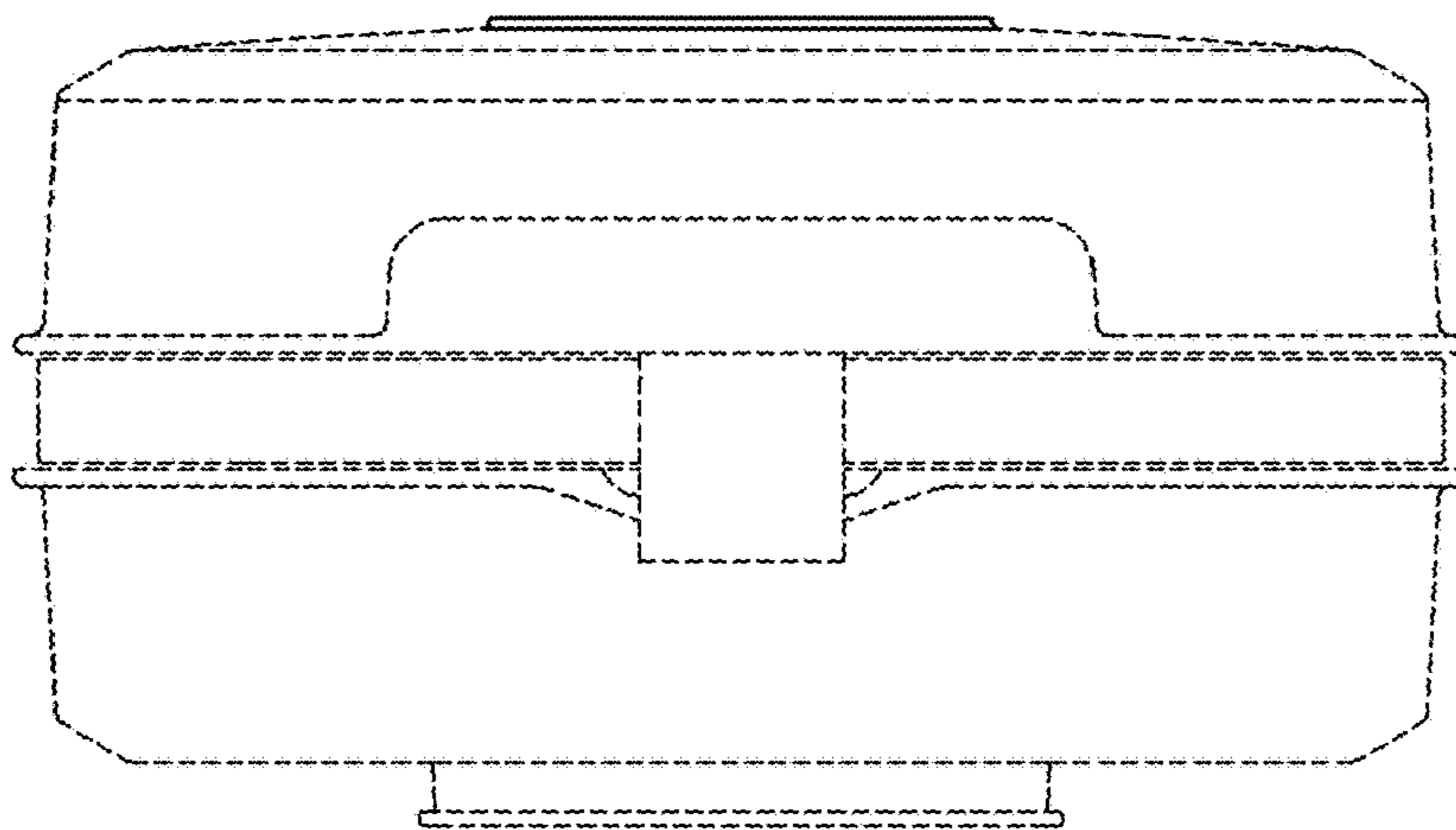


FIG. 1

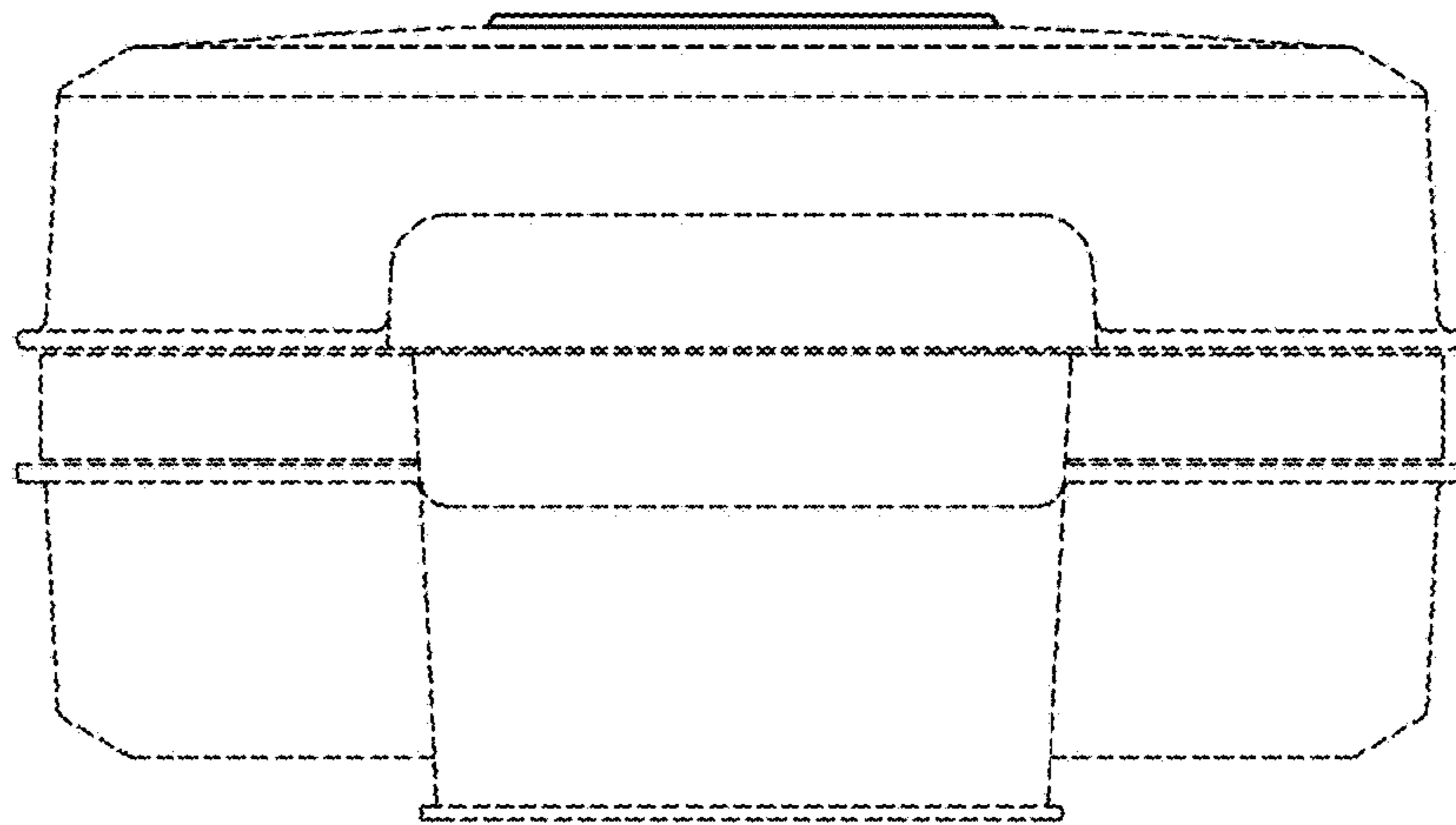


FIG. 2

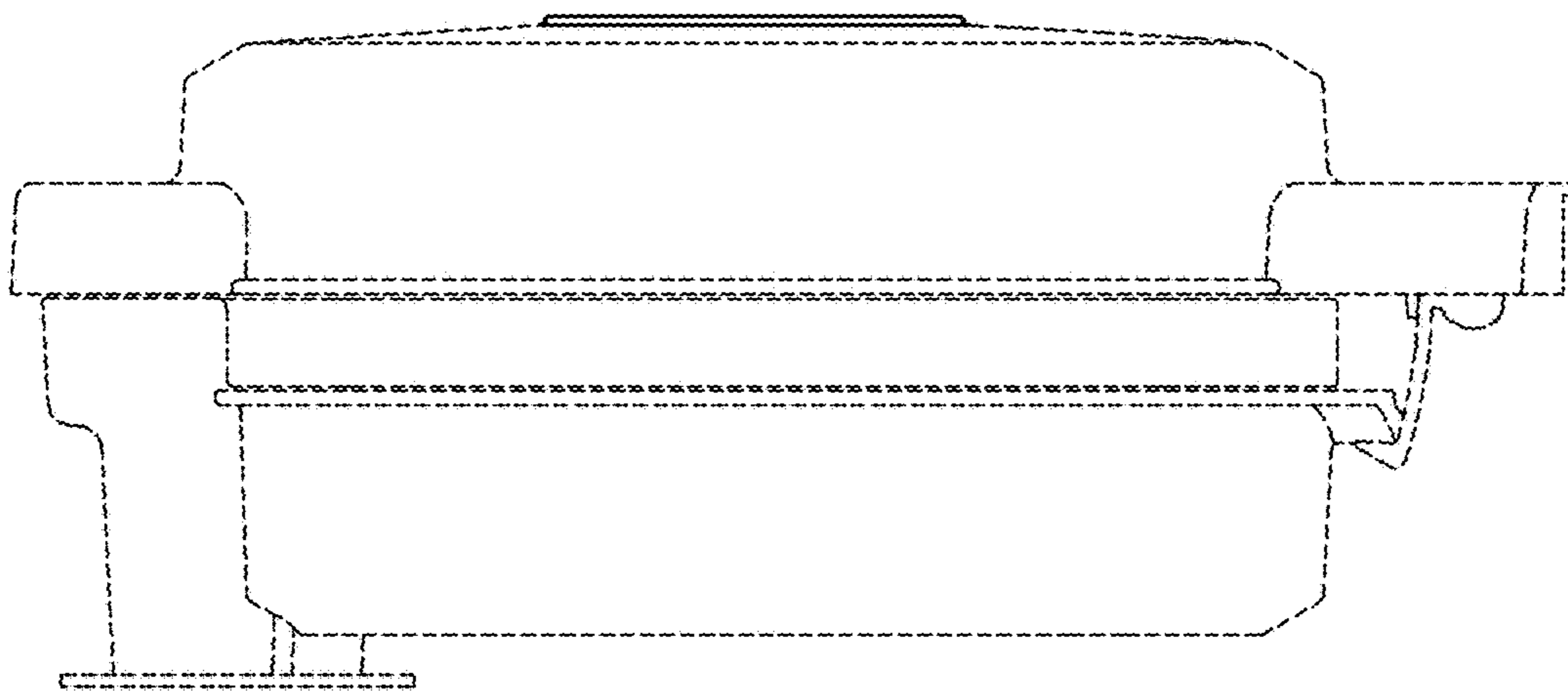


FIG.3

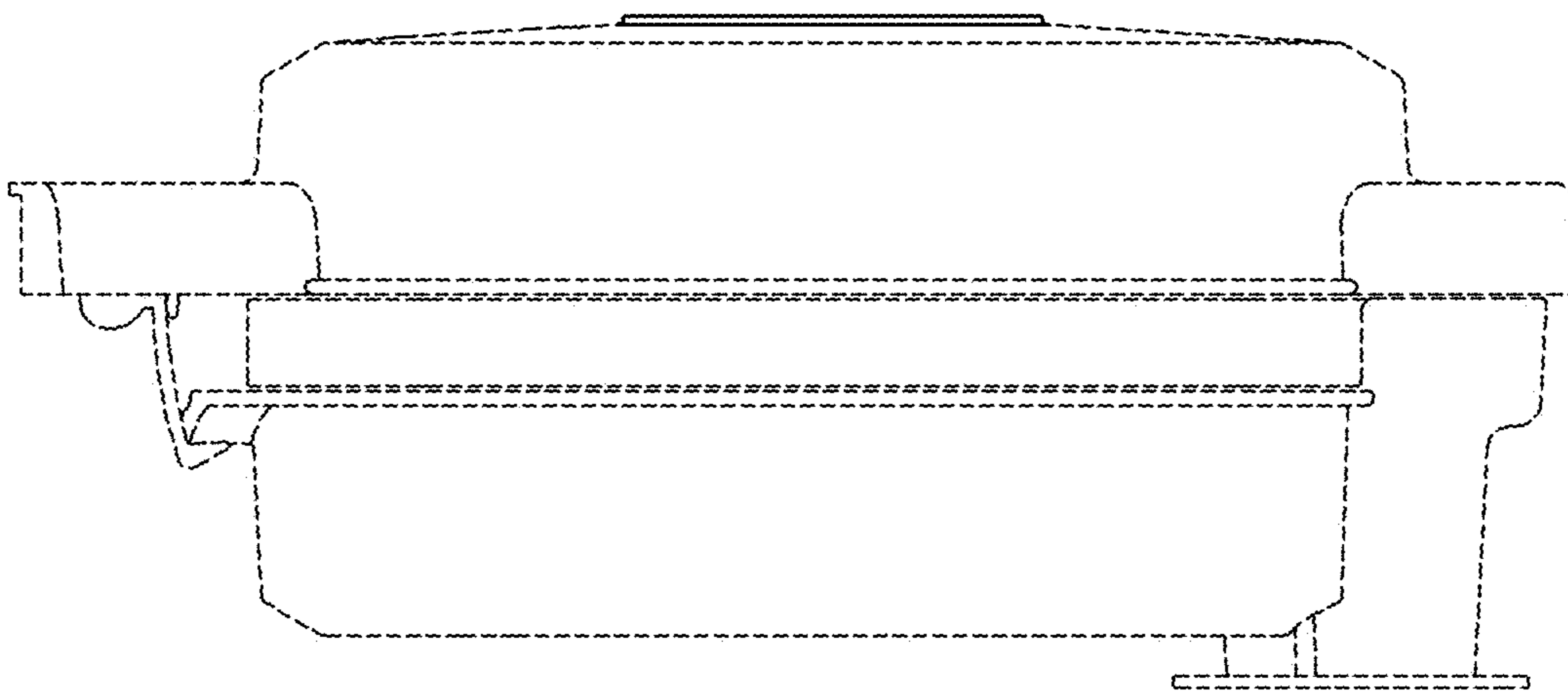


FIG.4

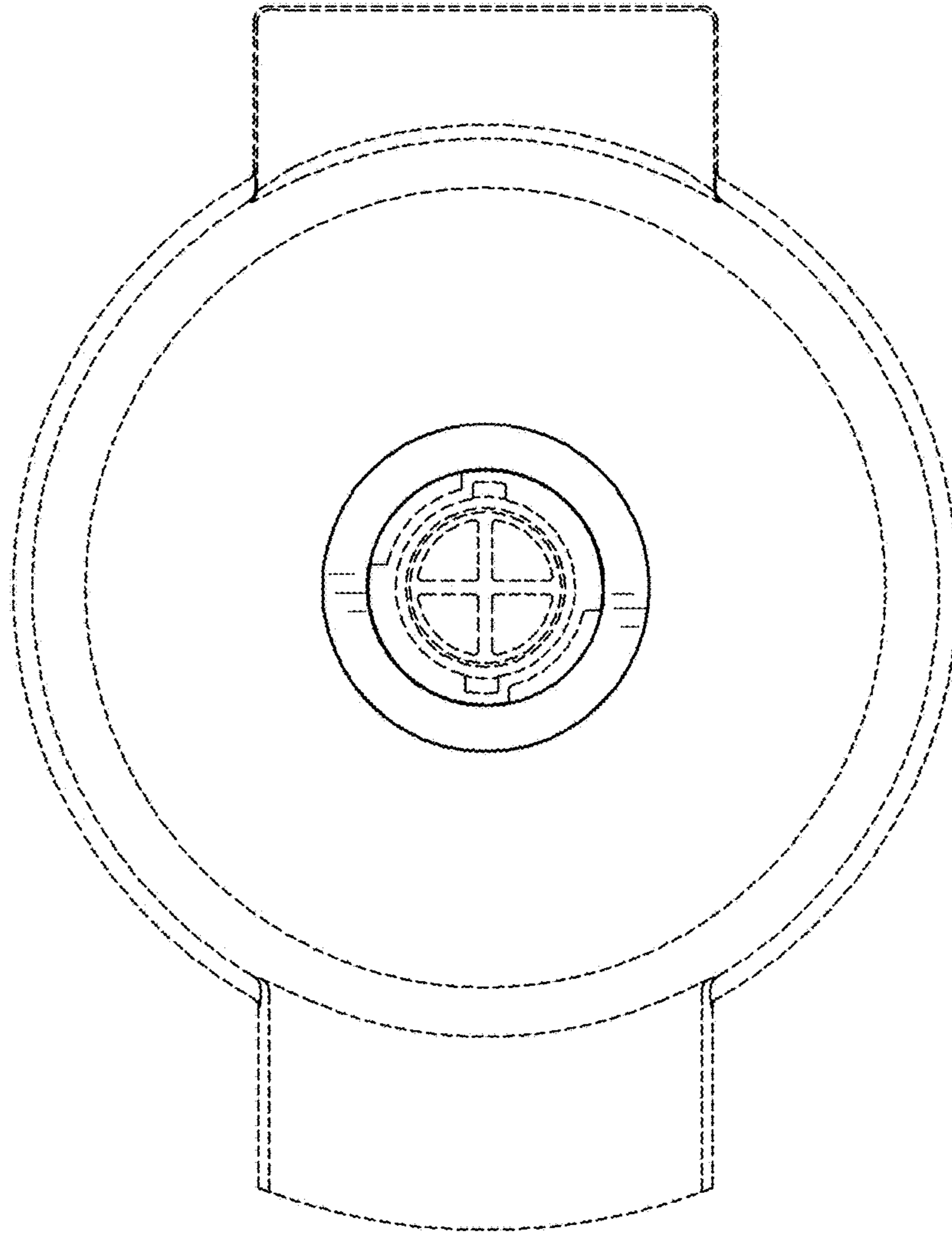


FIG.5

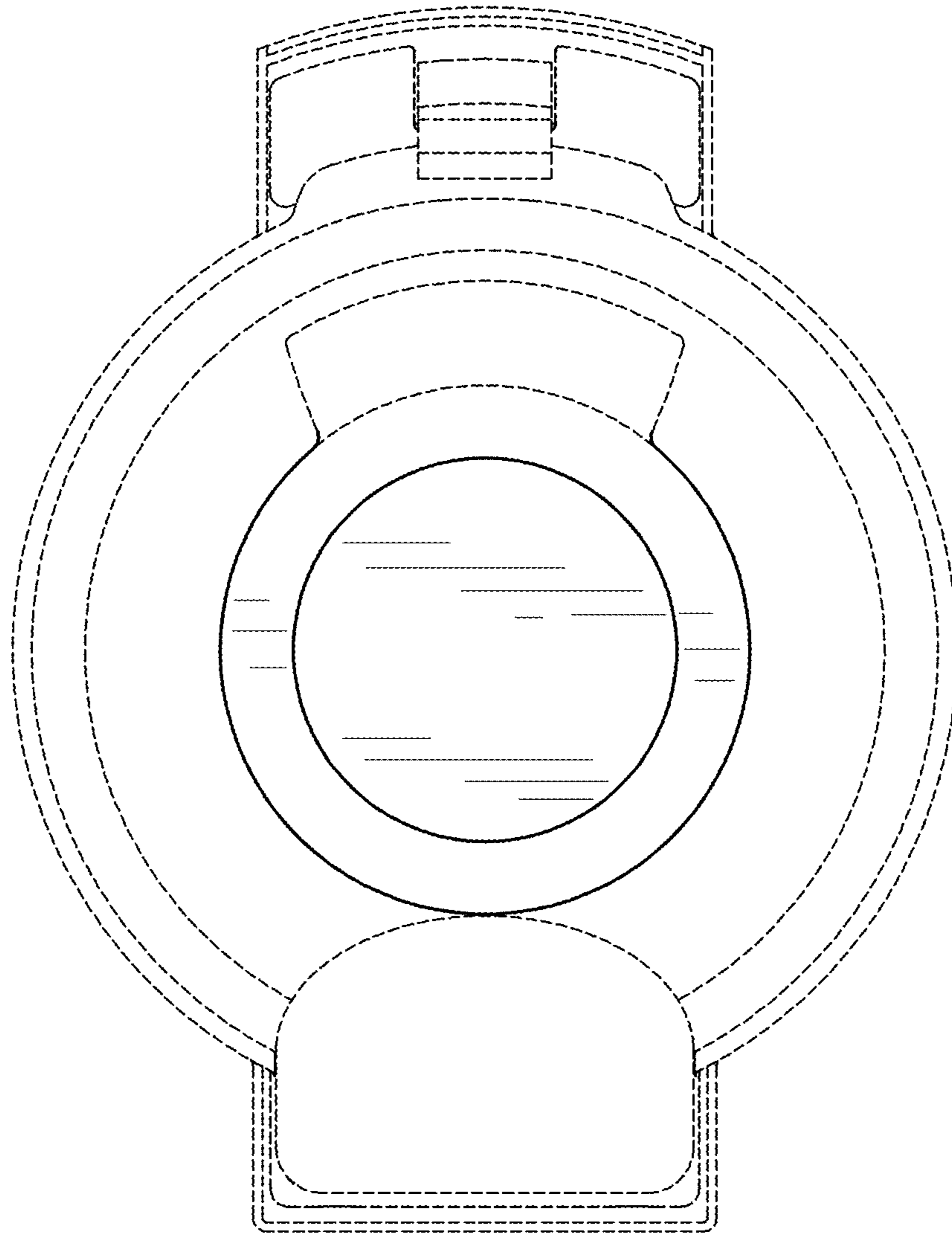


FIG.6

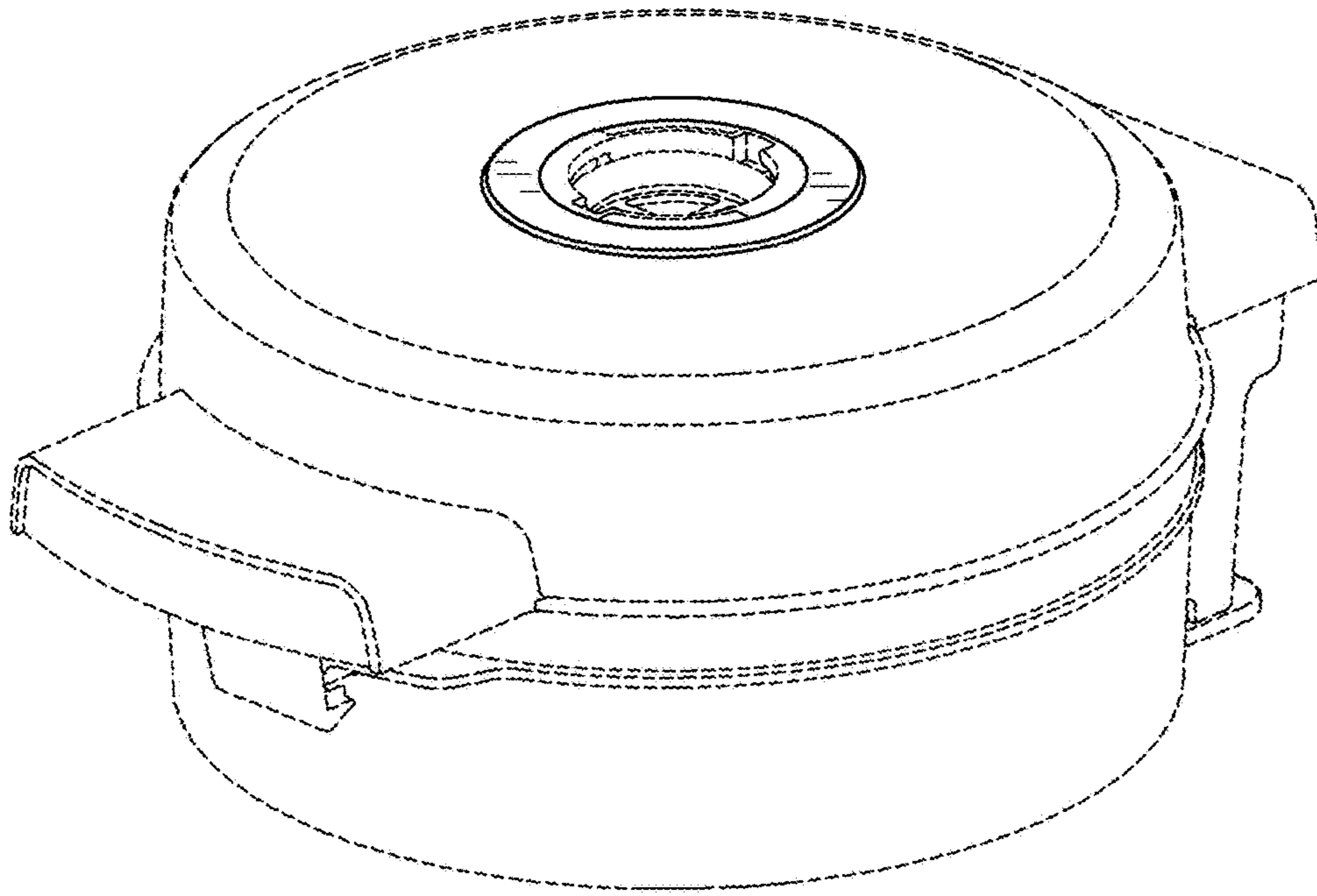


FIG.7

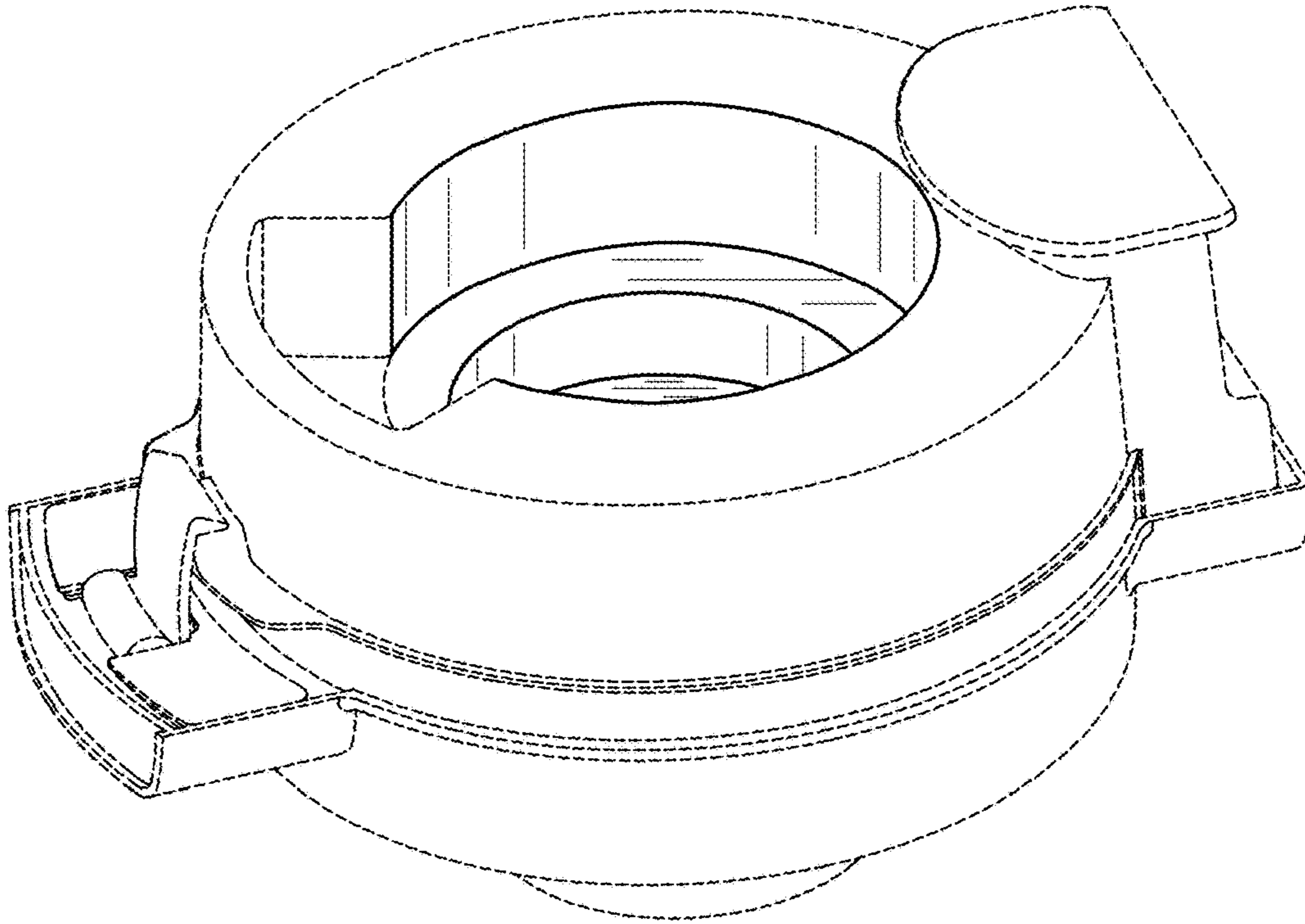


FIG.8

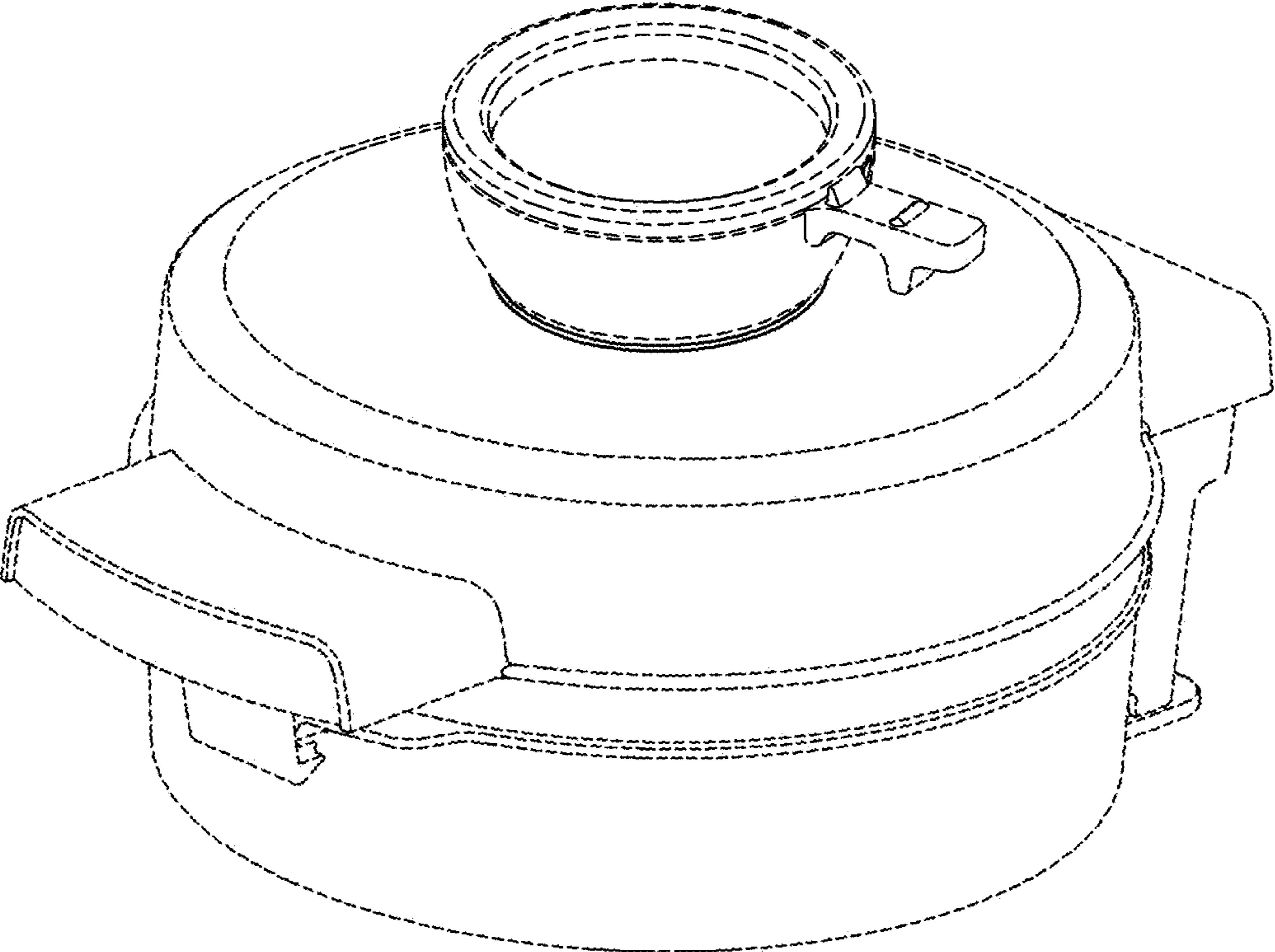


FIG.9

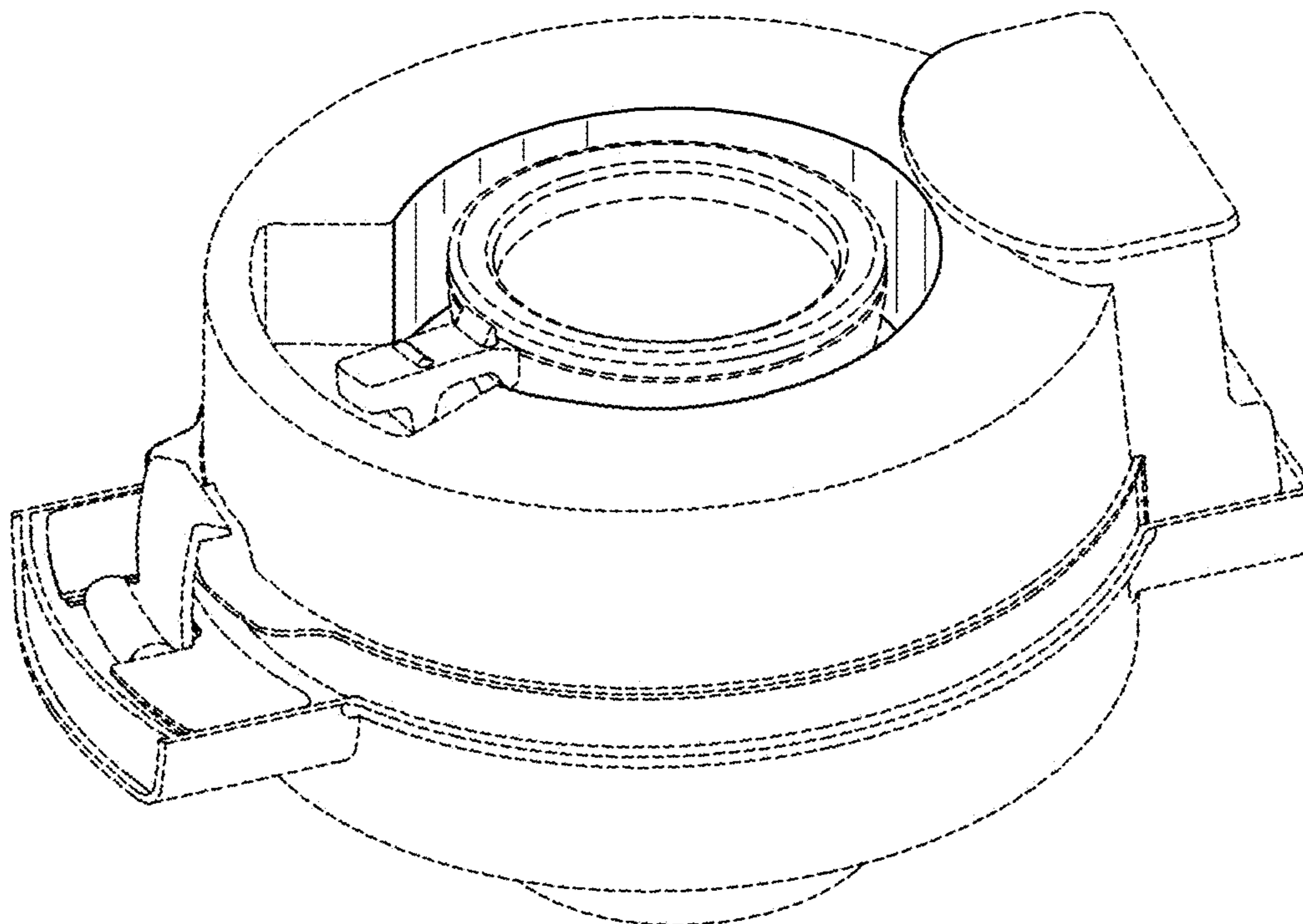


FIG.10