

US00D839658S

(12) **United States Design Patent**
Berge

(10) **Patent No.:** **US D839,658 S**

(45) **Date of Patent:** **** Feb. 5, 2019**

(54) **SLOW COOKER**

(71) Applicant: **National Presto Industries, Inc.**, Eau Claire, WI (US)

(72) Inventor: **Michael R. Berge**, Eau Claire, WI (US)

(73) Assignee: **National Presto Industries, Inc.**, Eau Claire, WI (US)

(**) Term: **15 Years**

(21) Appl. No.: **29/597,550**

(22) Filed: **Mar. 17, 2017**

(51) **LOC (11) Cl.** **07-02**

(52) **U.S. Cl.**
USPC **D7/361**

(58) **Field of Classification Search**
USPC D7/323, 337, 339-341, 352, 354-358,
D7/360-367, 393, 402-403, 407-411,
D7/601, 605, 629, 701, 703; D9/761
(Continued)

(56) **References Cited**

U.S. PATENT DOCUMENTS

D275,643 S * 9/1984 Petterson D7/355
D427,480 S * 7/2000 Brady D7/352
(Continued)

FOREIGN PATENT DOCUMENTS

DE 20 2016 103 774 U1 11/2017

OTHER PUBLICATIONS

Traveling Slow Cooker, Posted 2016 [Online], Retrieved Feb. 13, 2017, Retrieved from Internet, <https://www.gopresto.com/products/products.php?stock=06011>, 2 pages.

(Continued)

Primary Examiner — Barbara Fox
Assistant Examiner — Messina L Smith

(74) *Attorney, Agent, or Firm* — Patterson Thuent Pedersen, P.A.

(57) **CLAIM**

The ornamental design for a slow cooker, as shown and described.

DESCRIPTION

FIG. 1 is a front view of a slow cooker with a lid in a closed configuration, showing my new design;

FIG. 2 is a right side view of the slow cooker depicted in FIG. 1.

FIG. 3 is a rear view of the slow cooker depicted in FIG. 1.

FIG. 4 is a left side view of the slow cooker depicted in FIG. 1.

FIG. 5 is a bottom view of the slow cooker depicted in FIG. 1.

FIG. 6 is a top view of the slow cooker depicted in FIG. 1.

FIG. 7 is a front, perspective view of the slow cooker depicted in FIG. 1.

FIG. 8 is a rear, perspective view of the slow cooker depicted in FIG. 1.

FIG. 9 is a front view of the slow cooker depicted in FIG. 1 with a lid in an open orientation.

FIG. 10 is a right side view of the slow cooker depicted in FIG. 1 with a lid in an open orientation.

FIG. 11 is a rear view of the slow cooker depicted in FIG. 1 with a lid in an open orientation.

FIG. 12 is a left side view of the slow cooker depicted in FIG. 1 with a lid in an open orientation.

FIG. 13 is a top view of the slow cooker depicted in FIG. 1 with a lid in an open orientation.

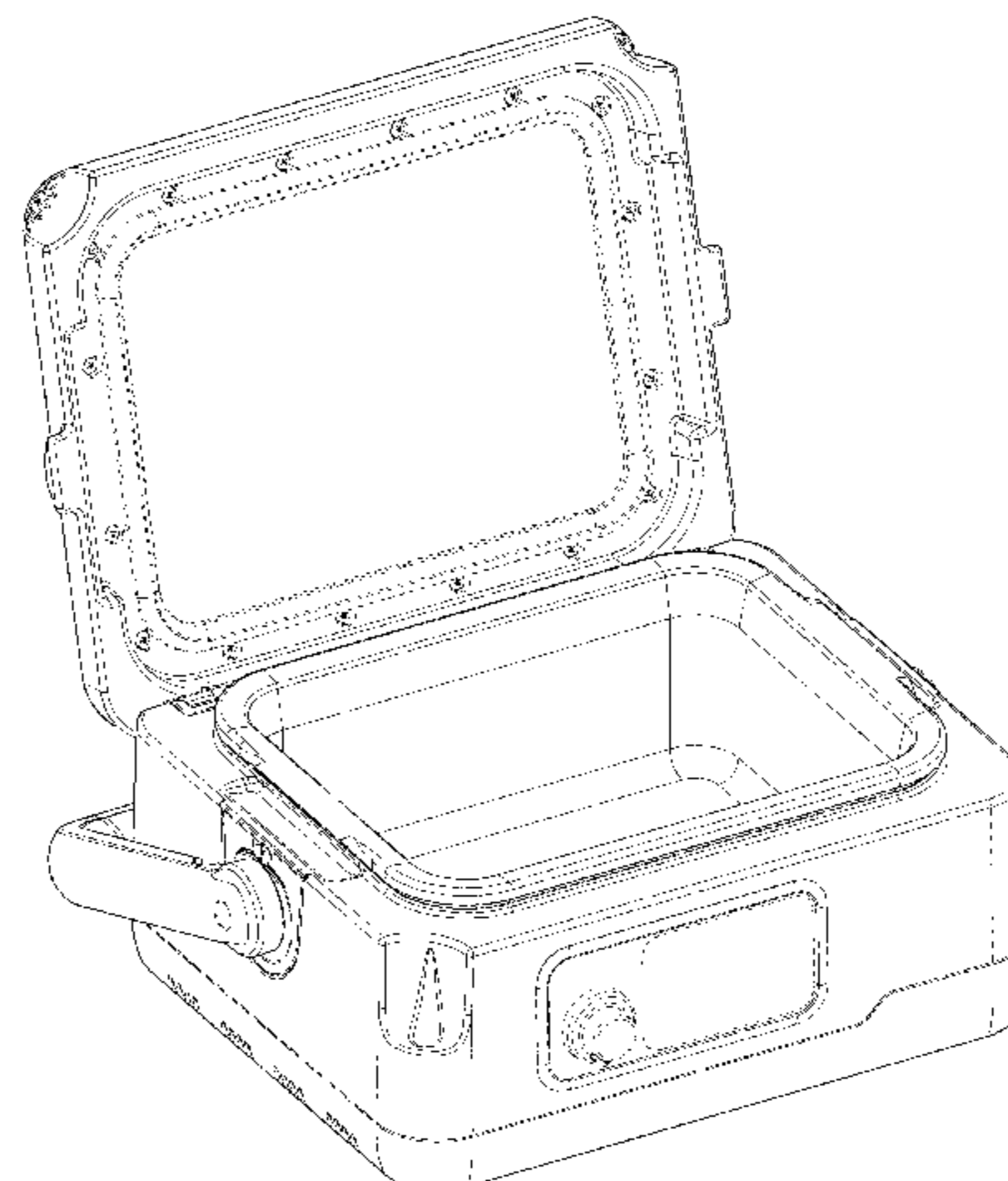
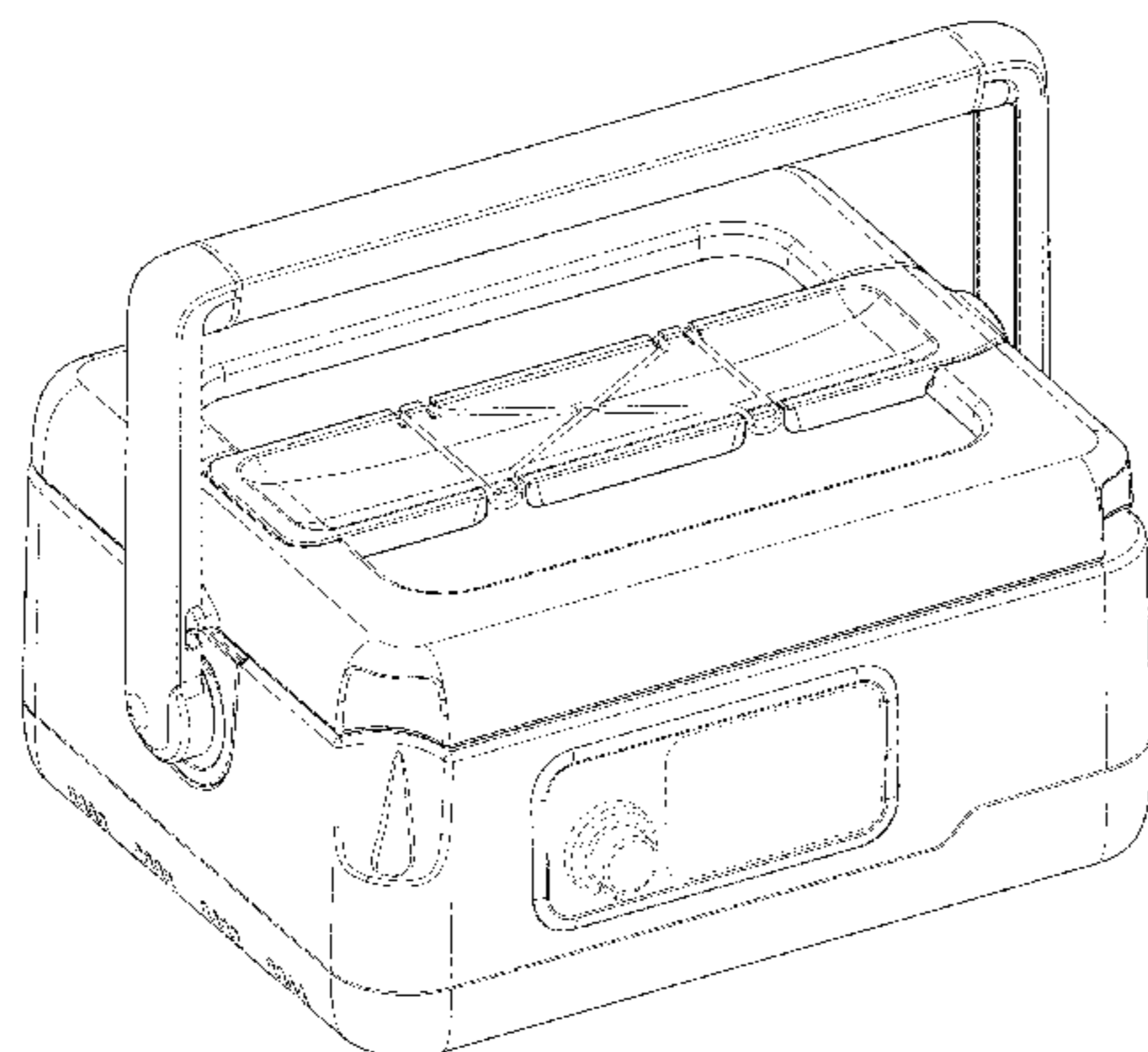
FIG. 14 is a bottom view of the slow cooker depicted in FIG. 1 with a lid in an open orientation.

FIG. 15 is a front, perspective view of the slow cooker depicted in FIG. 1 with a lid in an open orientation; and,

FIG. 16 is a rear, perspective view of the slow cooker depicted in FIG. 1 with a lid in an open orientation.

The broken lines in the drawings depict portions of the slow cooker that form no part of the claimed design.

1 Claim, 16 Drawing Sheets



(58) **Field of Classification Search**

CPC A21B 1/06; A21B 1/50; A21B 1/52; A47J
 37/04; A47J 37/06; A47J 37/015; A47J
 37/067; A47J 37/0611; A47J 37/0629;
 A47J 37/0676; A47J 37/108; F24C 7/06;
 F24C 7/083; F24C 15/02; F24C 15/66;
 H05B 3/20; H05B 3/40

See application file for complete search history.

D799,822 S 10/2017 Kanda et al.
 D801,684 S * 11/2017 Chang D3/282
 D802,924 S * 11/2017 Mahanavanont D3/279
 D807,708 S 1/2018 Grepper et al.
 D808,228 S * 1/2018 Weernink D7/629
 D824,199 S * 7/2018 Liu D7/352
 2003/0079949 A1 5/2003 Harvey
 2013/0011537 A1 1/2013 Vahid
 2013/0228485 A1 9/2013 Roach et al.
 2016/0008973 A1* 1/2016 Bensman B25H 3/023
 206/372

(56) **References Cited**

U.S. PATENT DOCUMENTS

D451,335 S * 12/2001 Rossman D7/360
 D636,629 S 4/2011 Jerstroem et al.
 D708,486 S 7/2014 Terracciano
 D738,106 S * 9/2015 Shitrit D3/276
 D764,237 S 8/2016 Yen et al.
 D780,534 S 3/2017 Oliver
 D788,518 S 6/2017 Aggarwal

2018/0006362 A1 1/2018 Williams
 2018/0209776 A1* 7/2018 Sun G01B 7/30
 2018/0211069 A1* 7/2018 Simpson G06F 21/86

OTHER PUBLICATIONS

Coleman Hard Coolers web page printed May 25, 2017, 6 pages.
 Igloo Small Coolers web page printed May 25, 2017, 5 pages.

* cited by examiner

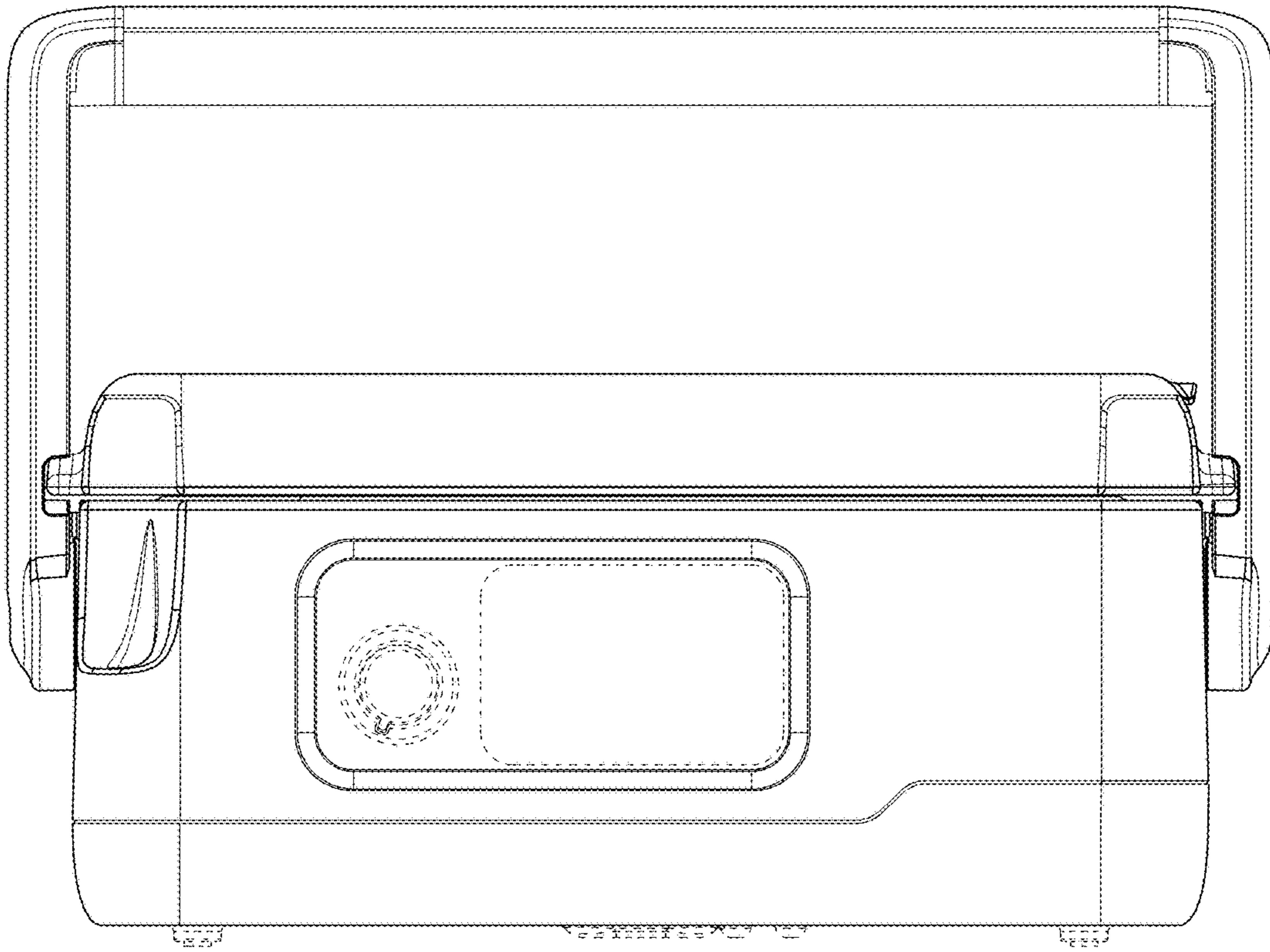


FIG. 1

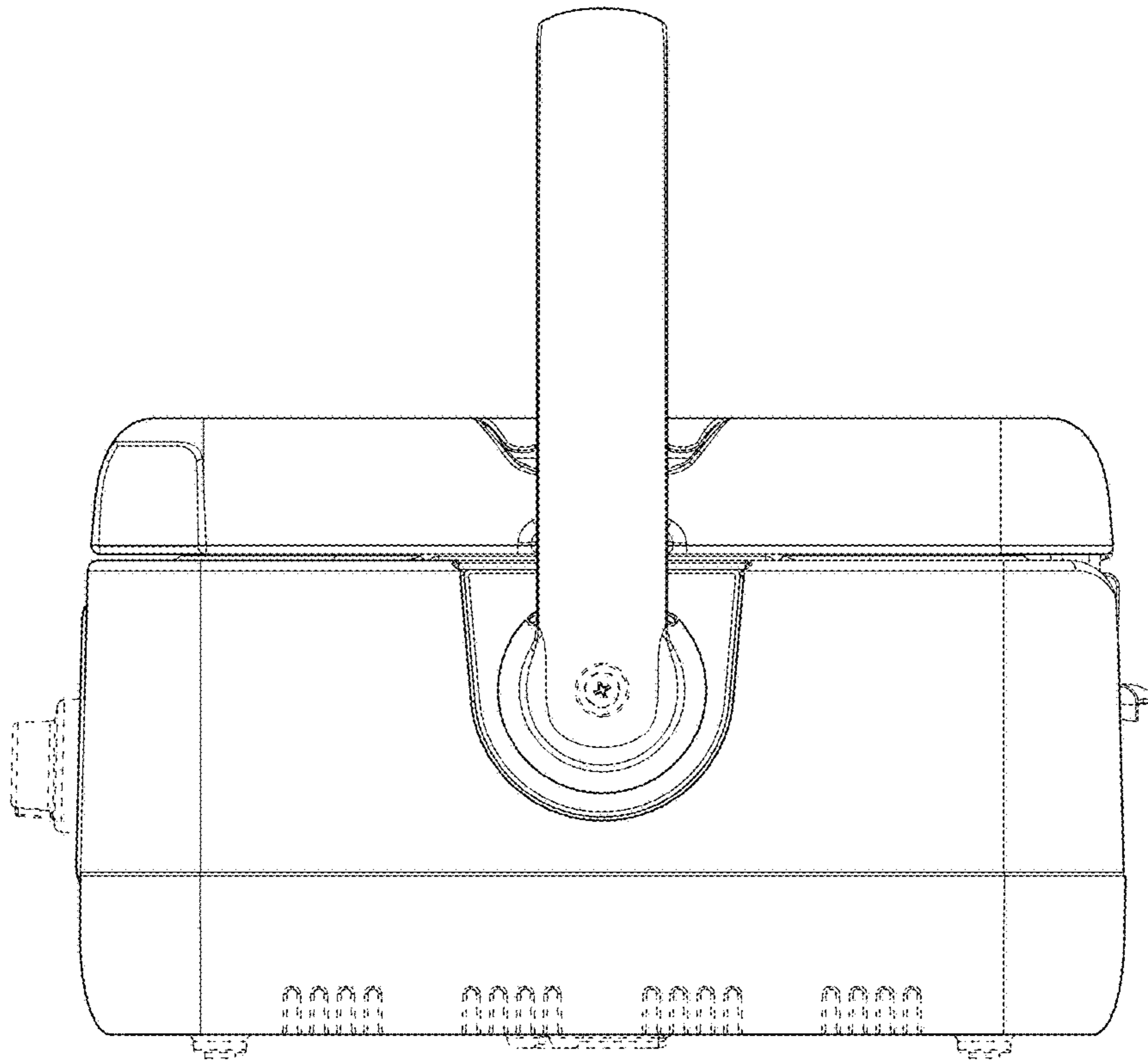


FIG. 2

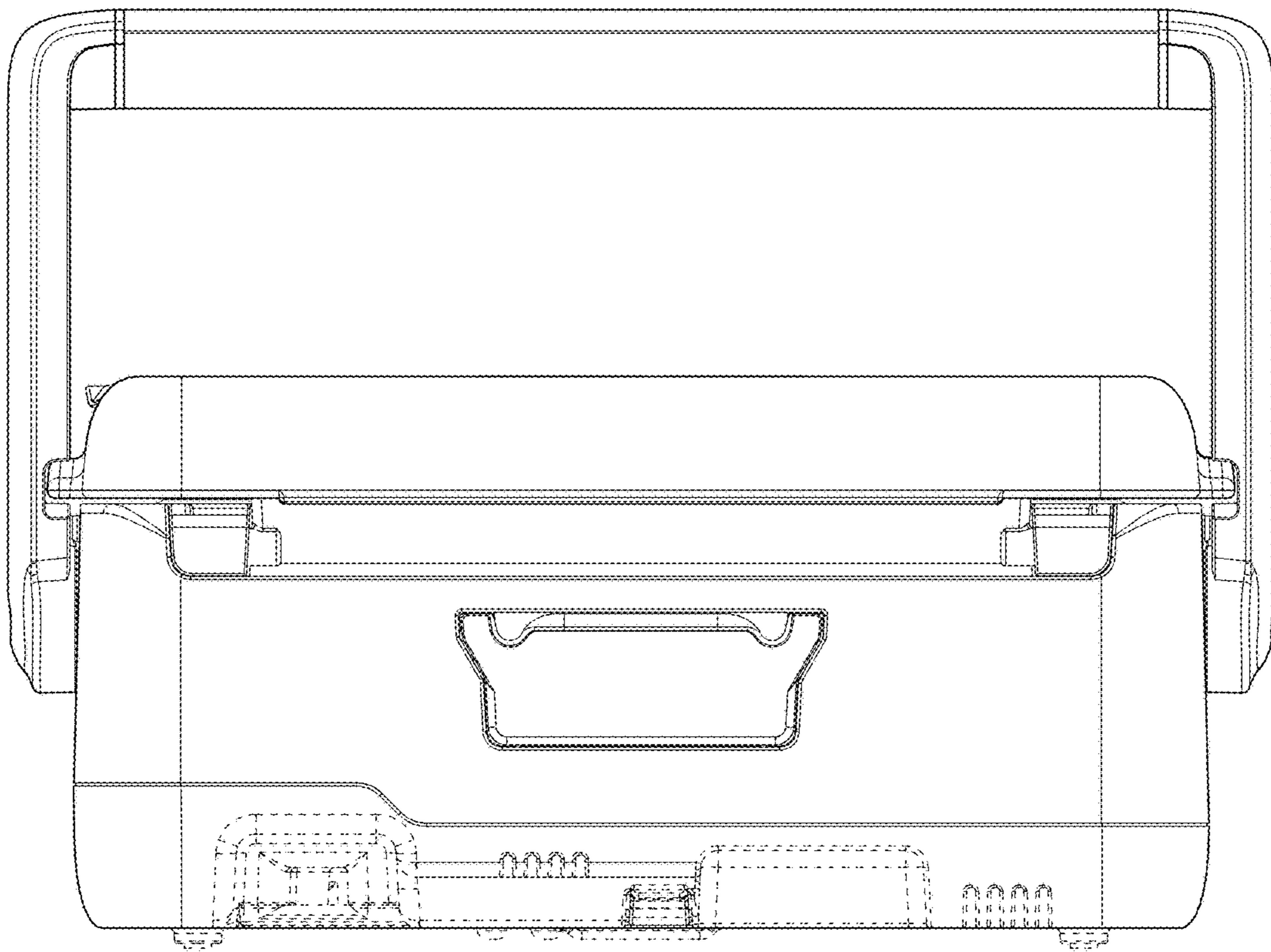


FIG. 3

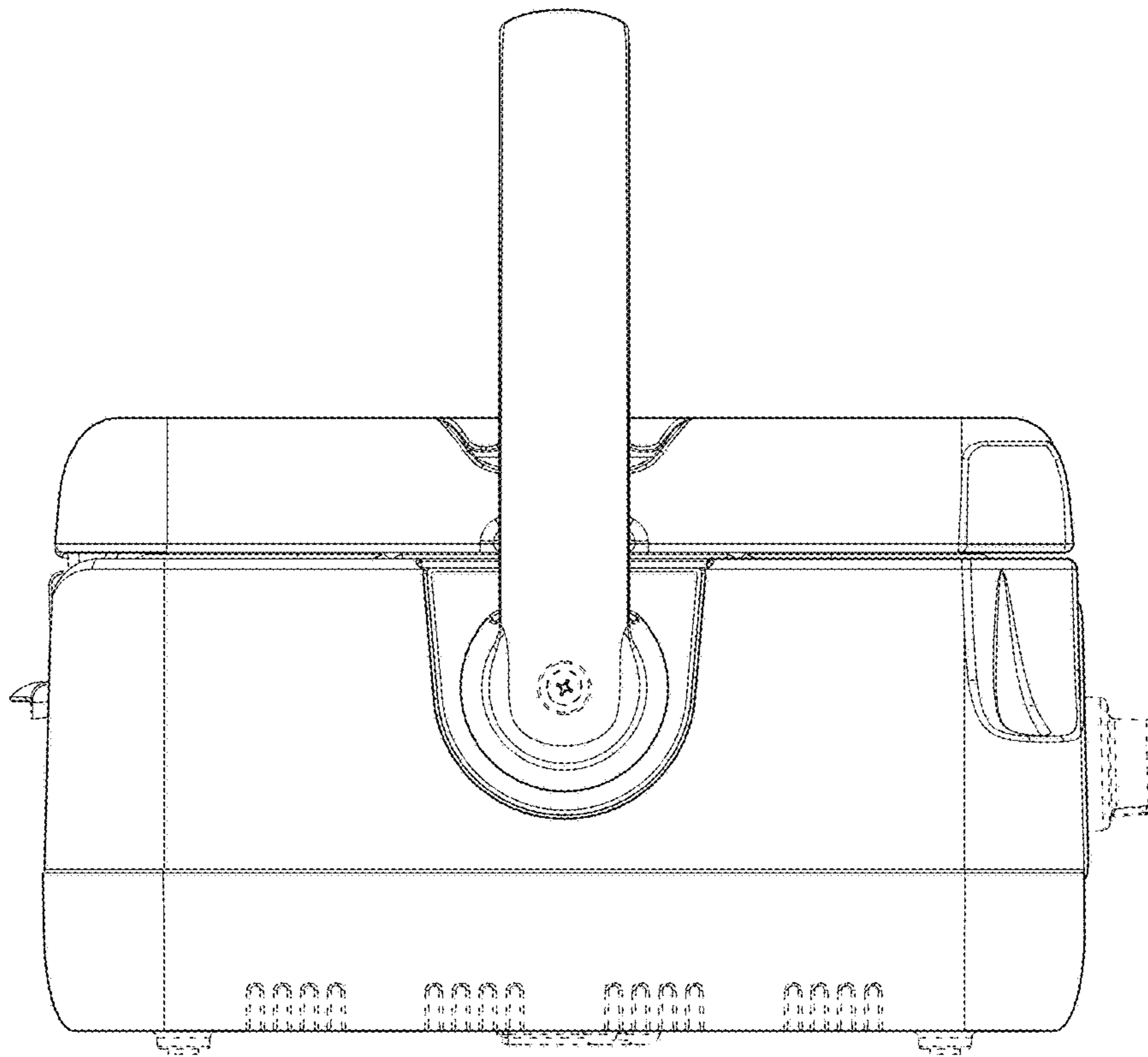


FIG. 4

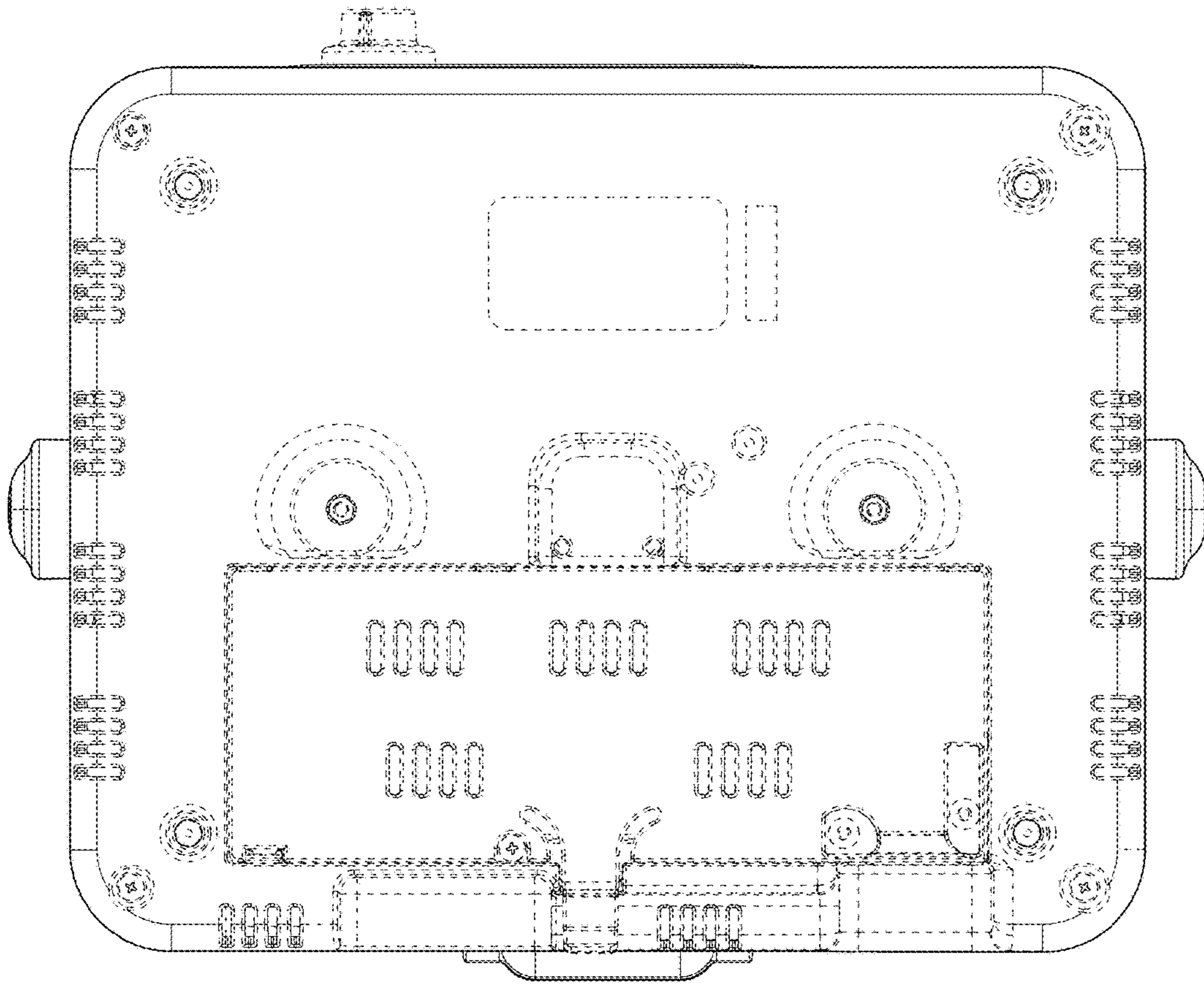


FIG. 5

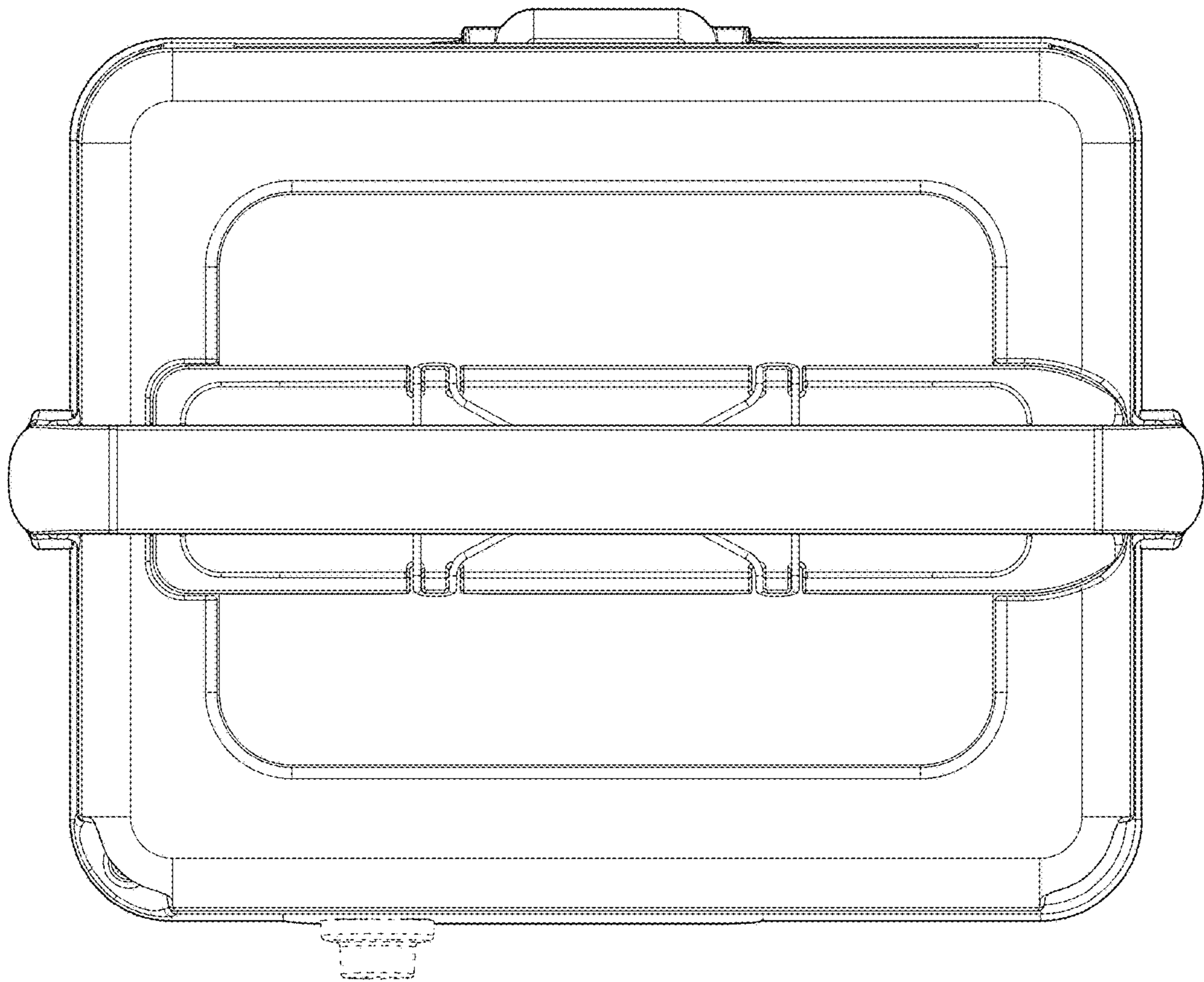


FIG. 6

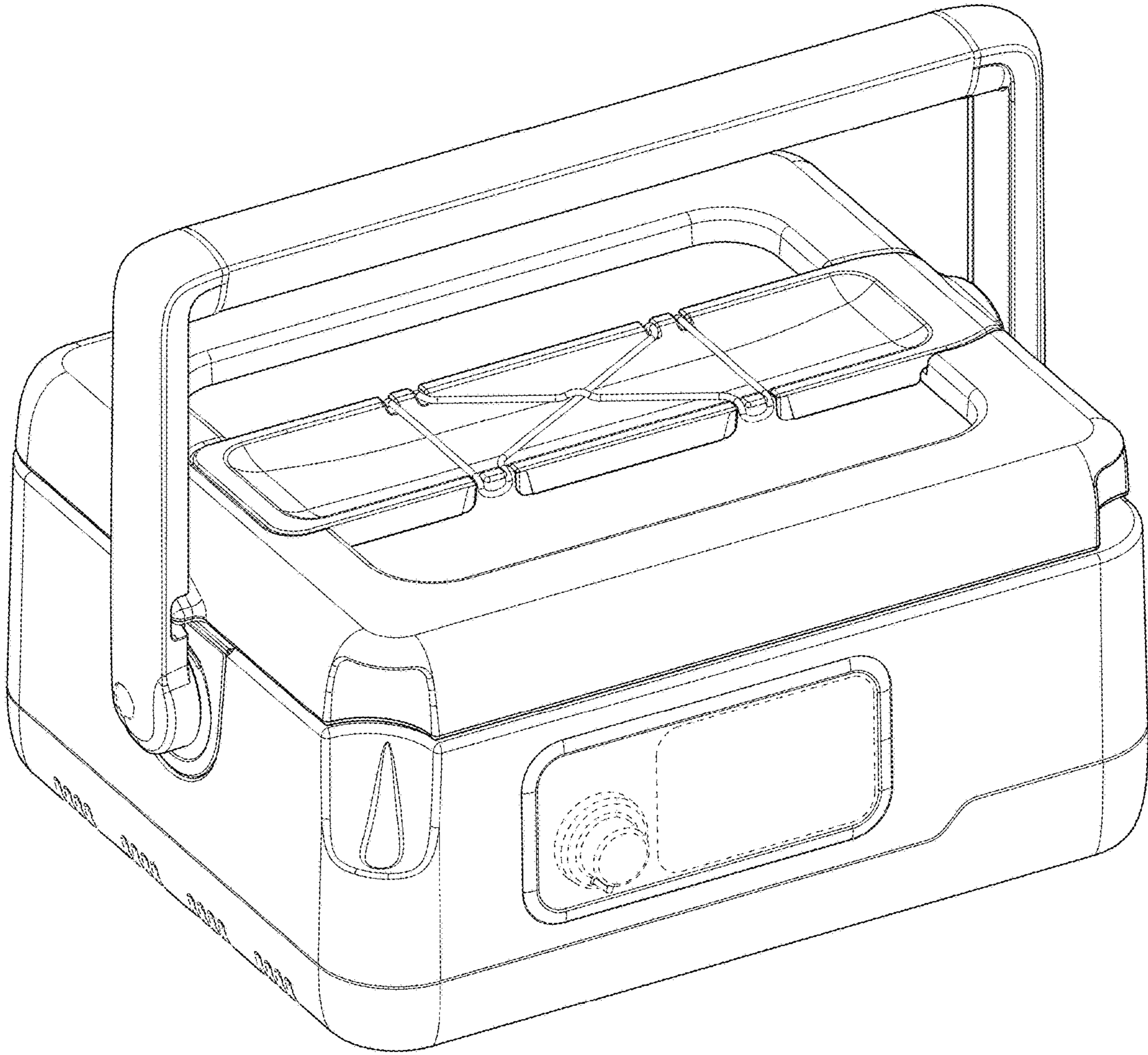


FIG. 7

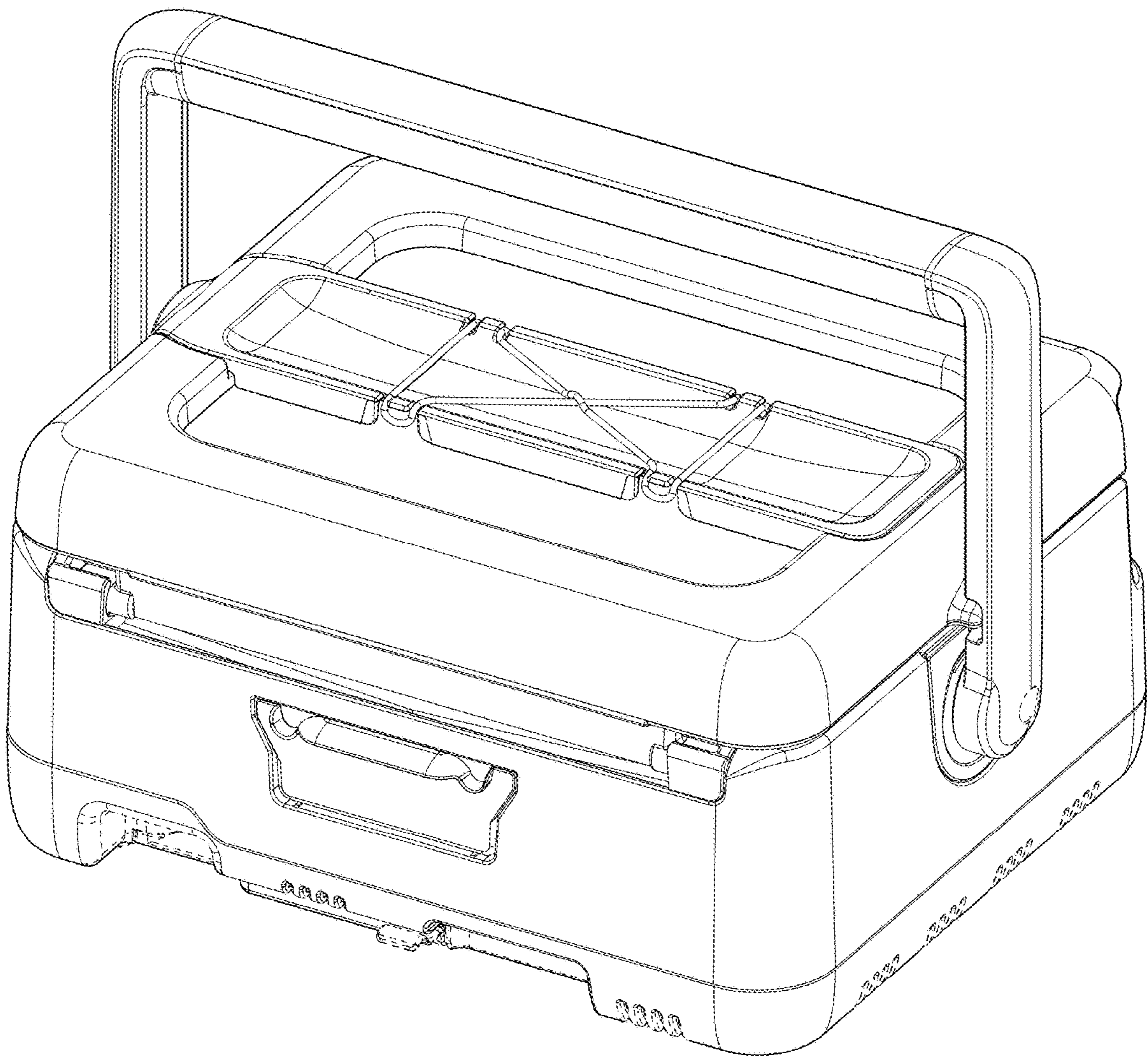


FIG. 8

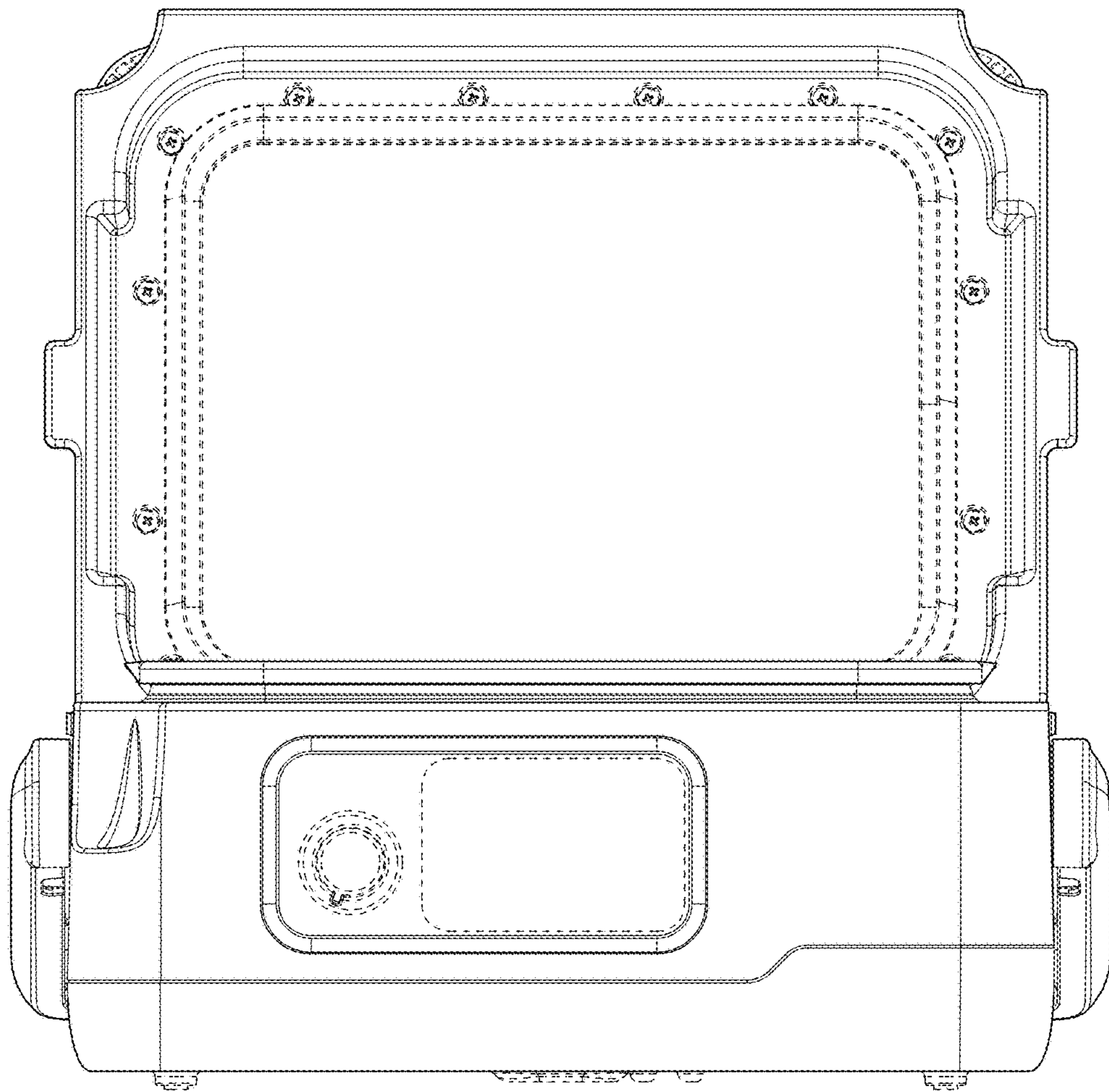


FIG. 9

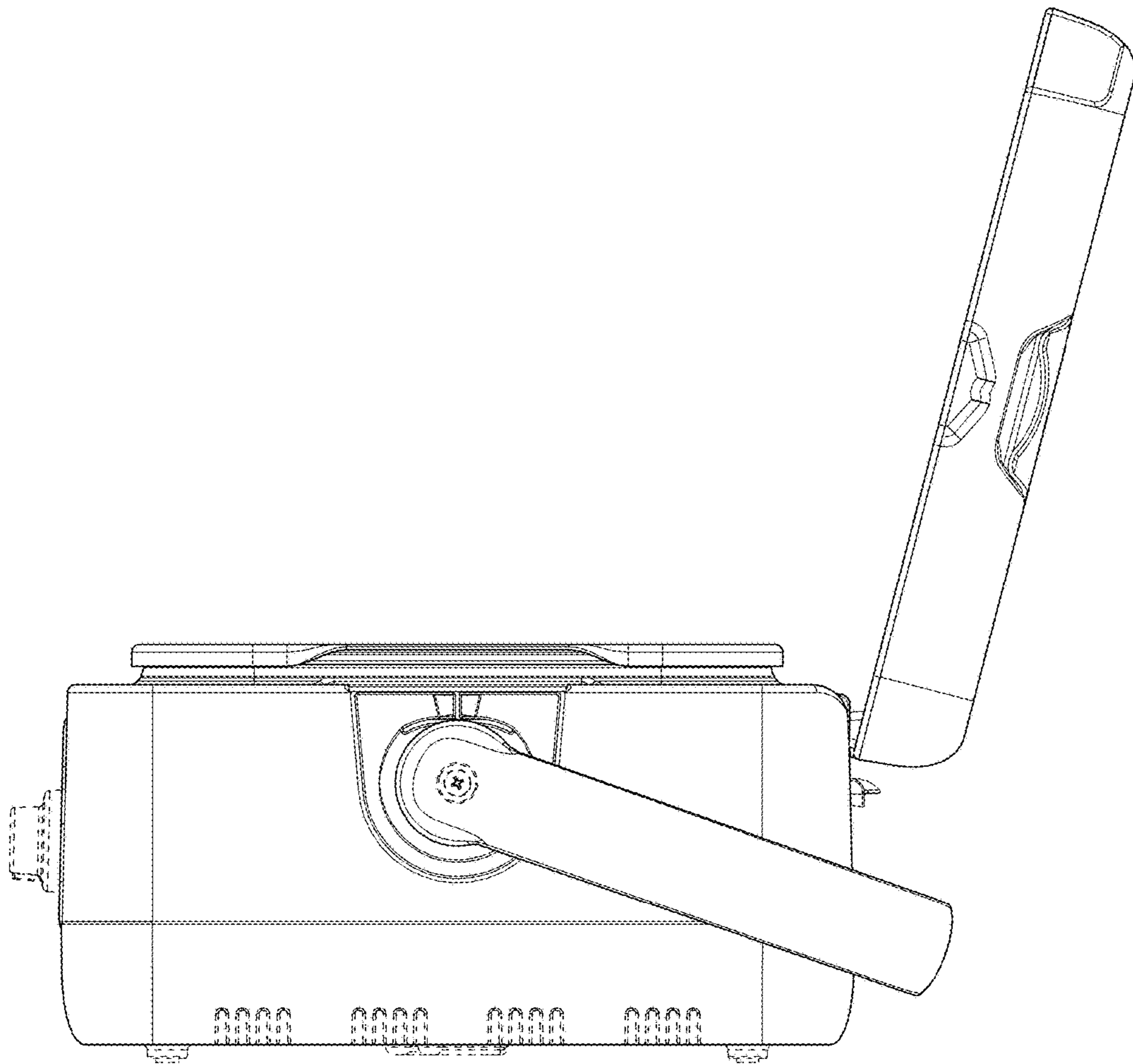


FIG. 10

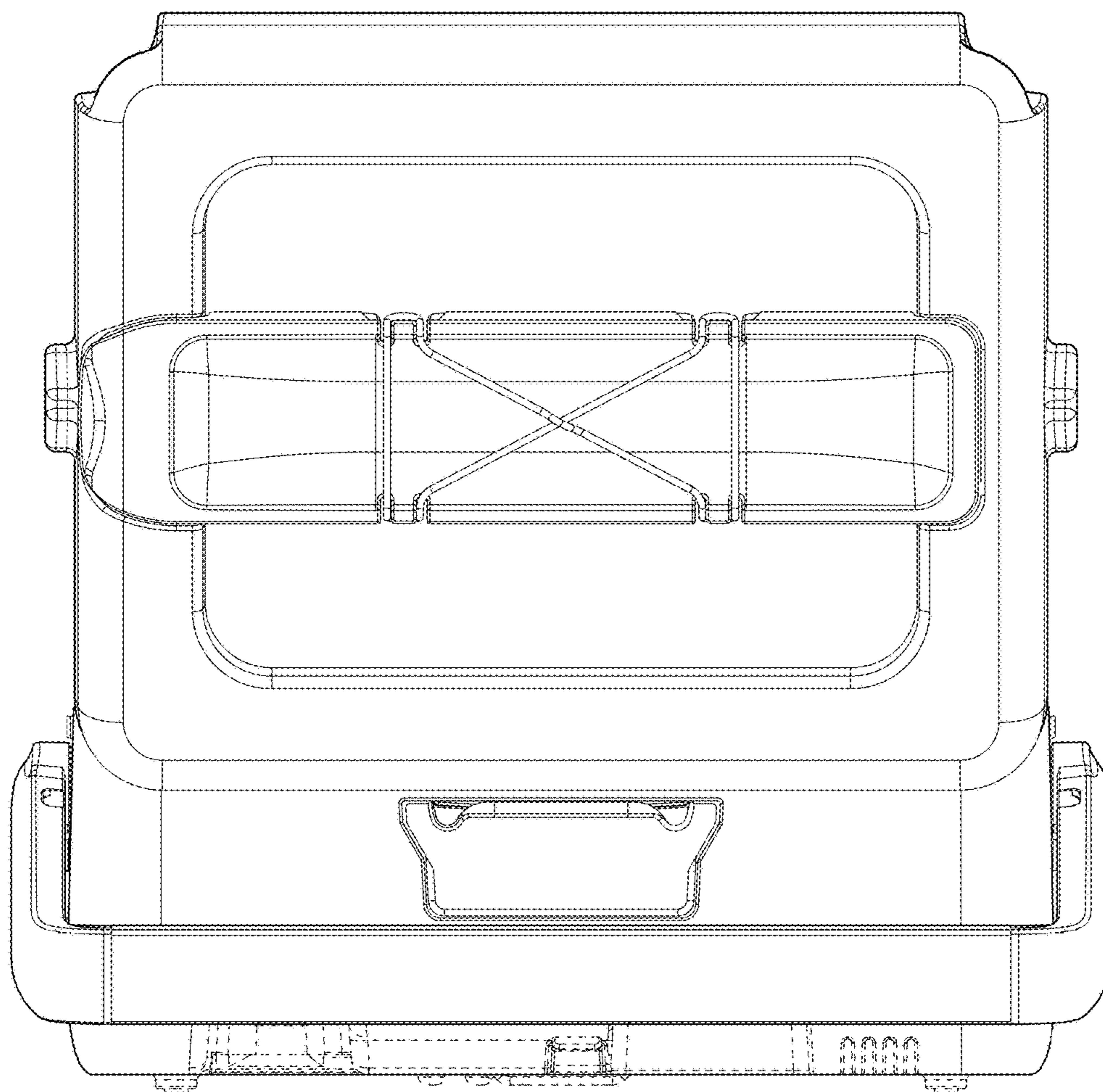


FIG. 11

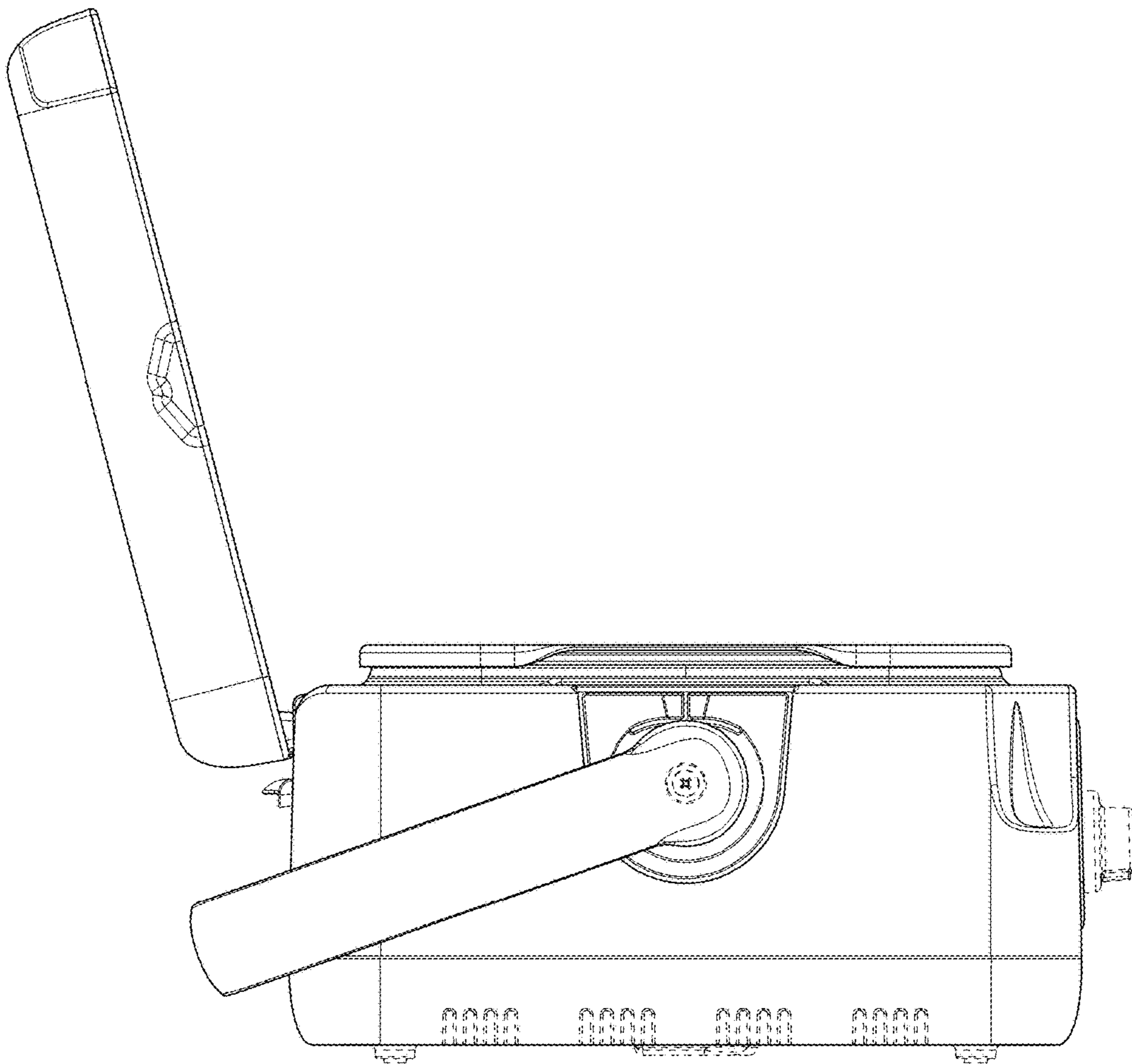


FIG. 12

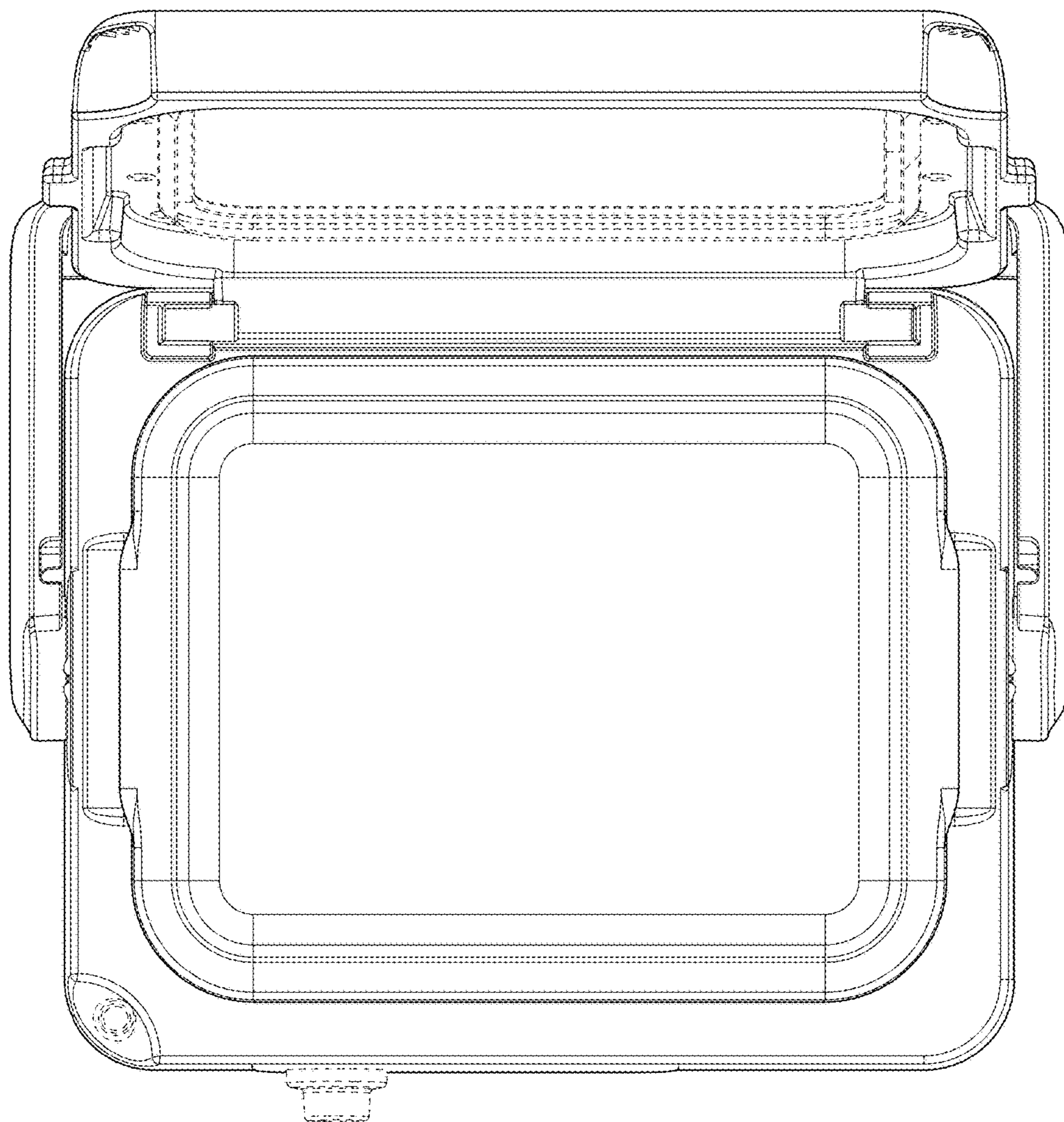


FIG. 13

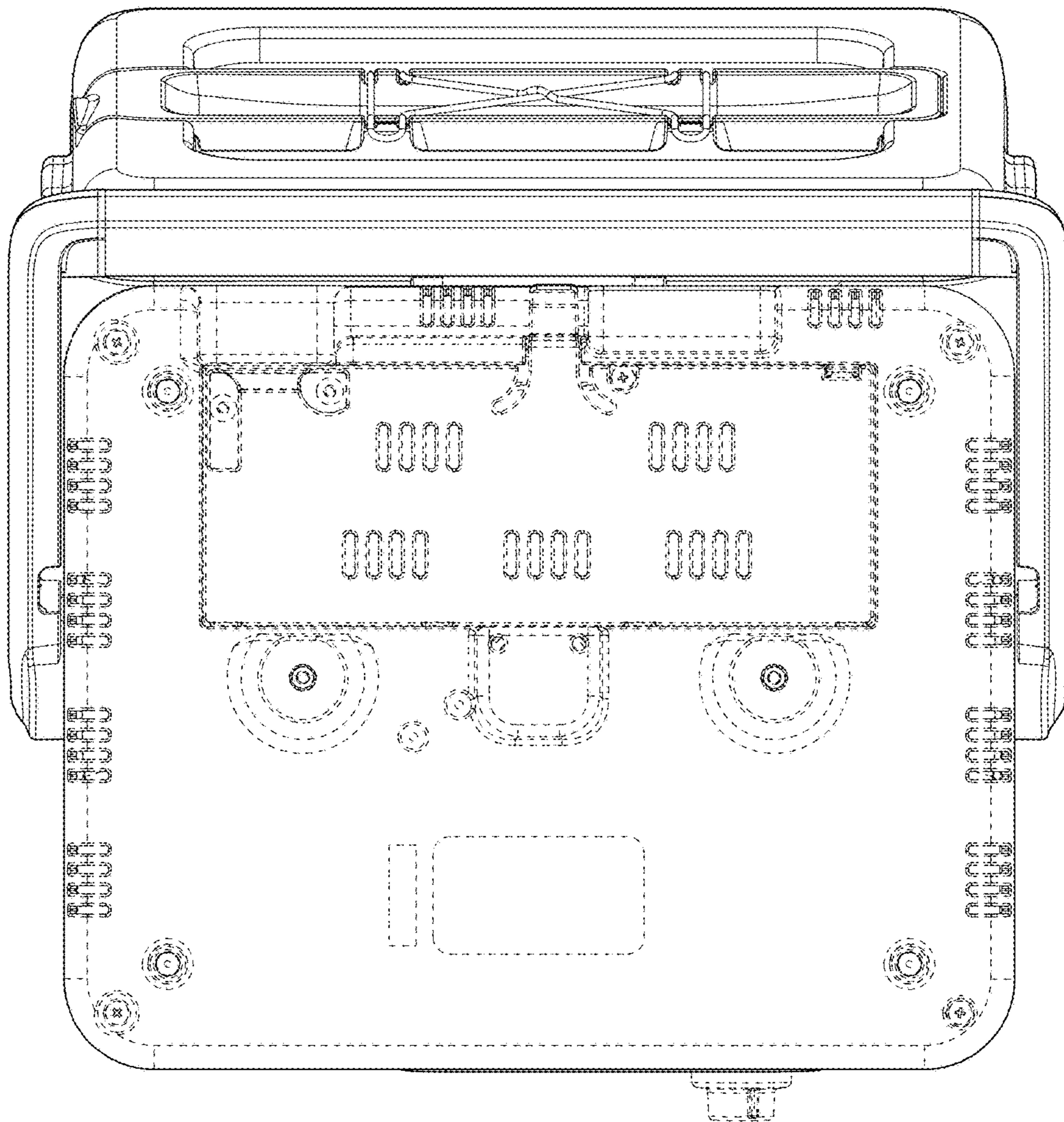


FIG. 14

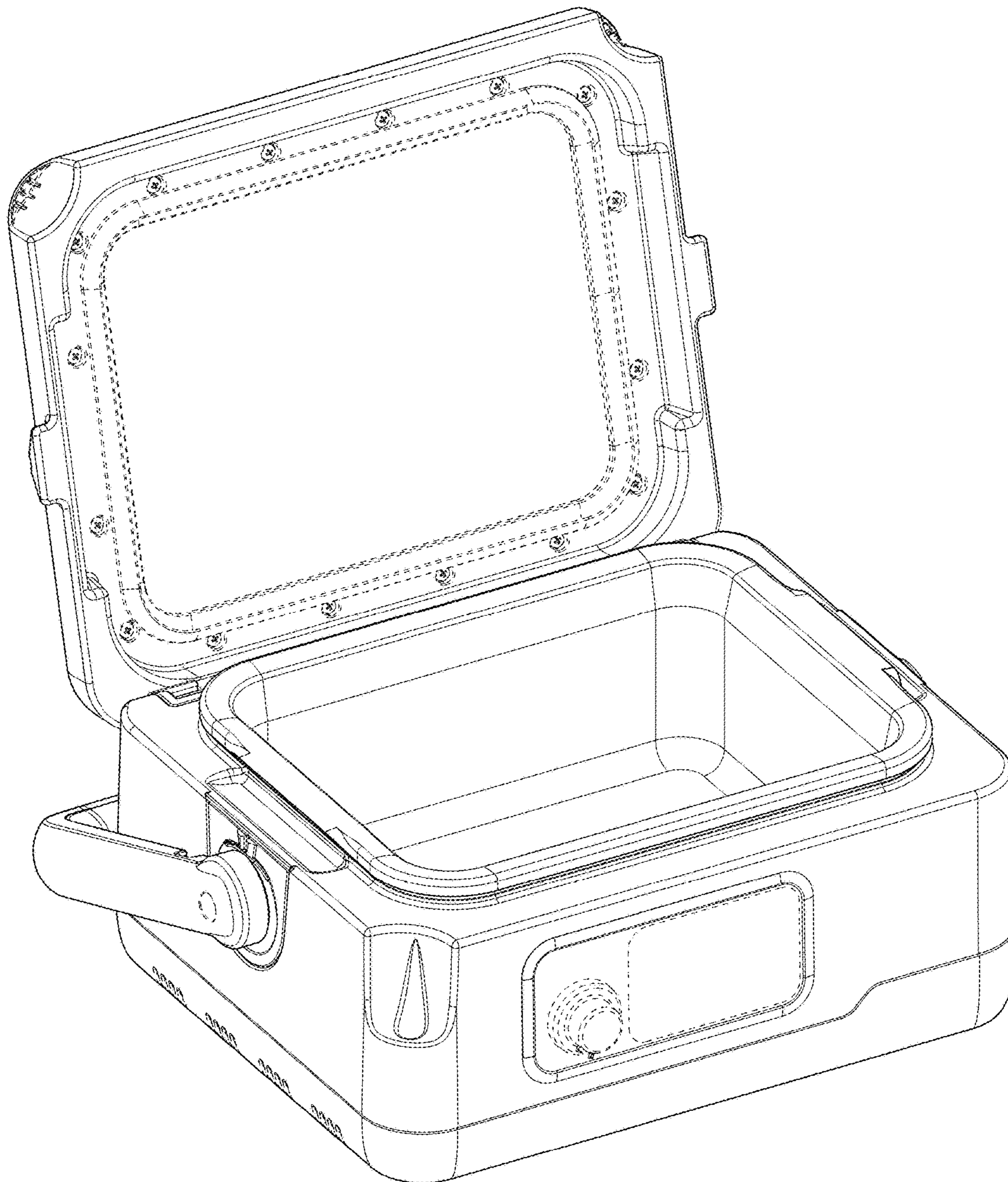


FIG. 15

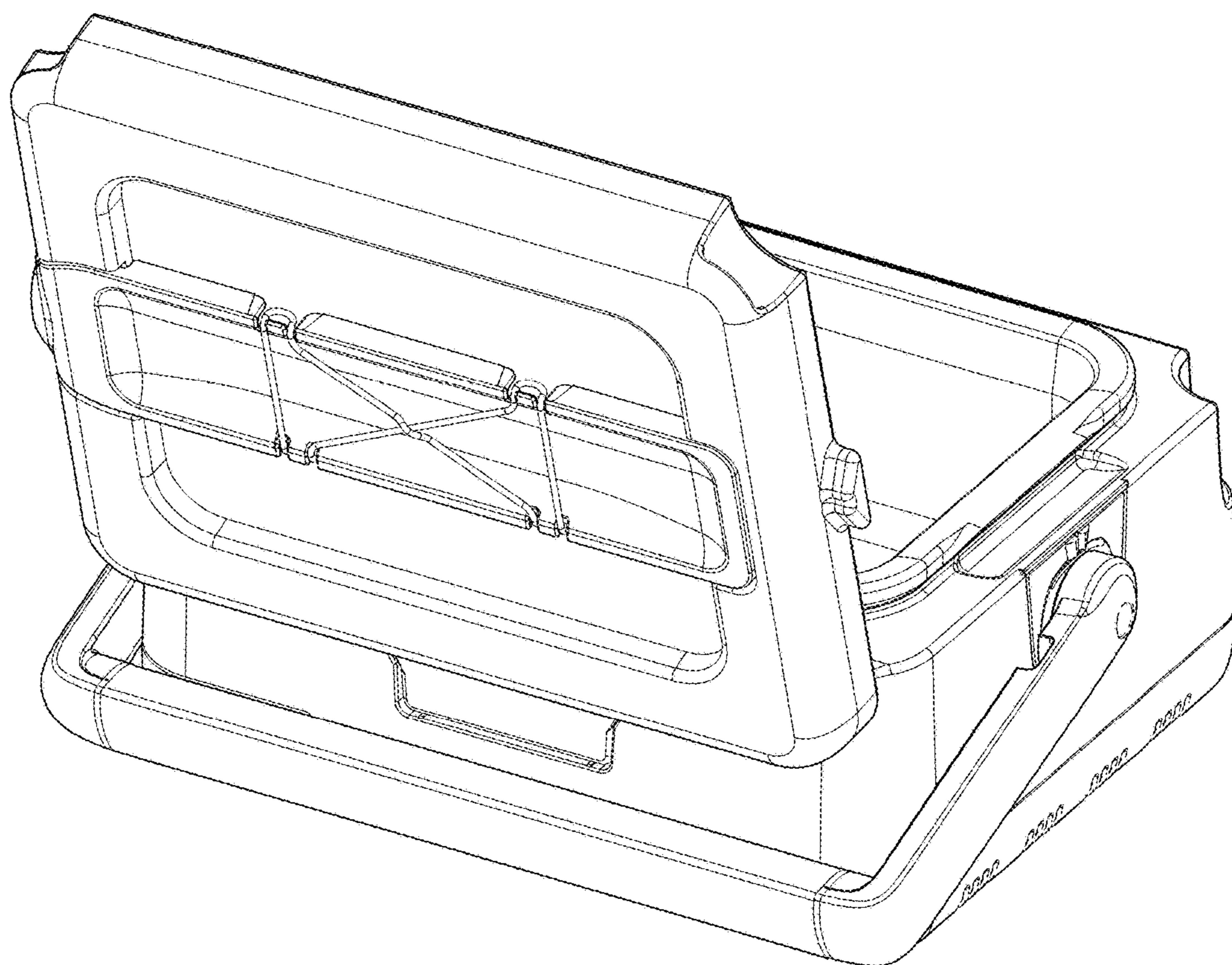


FIG. 16