



US00D839655S

(12) **United States Design Patent**
Hsieh

(10) **Patent No.:** **US D839,655 S**

(45) **Date of Patent:** **** Feb. 5, 2019**

(54) **COOKING DEVICE**

(71) Applicant: **Tsann Kuen (Zhangzhou) Enterprise Co., Ltd., Zhangzhou (CN)**

(72) Inventor: **Hao-Hsing Hsieh, Tainan (TW)**

(73) Assignee: **Tsann Kuen (Zhangzhou) Enterprise Co., Ltd., Zhang Zhou (CN)**

(**) Term: **15 Years**

(21) Appl. No.: **29/619,393**

(22) Filed: **Sep. 28, 2017**

(30) **Foreign Application Priority Data**

Apr. 14, 2017 (CN) 2017 3 0124498

(51) **LOC (11) Cl.** **07-02**

(52) **U.S. Cl.**
USPC **D7/352; D7/362; D7/363**

(58) **Field of Classification Search**
USPC D7/323, 328-330, 337, 347, 352-364,
D7/367, 402, 409-411, 674

CPC . A21B 5/023; A47J 27/60; A47J 27/62; A47J
37/04; A47J 37/06; A47J 37/067; A47J
37/0605; A47J 37/0611; A47J 37/0623;
A47J 37/0629; A47J 37/0676; A47J
2037/06; A47J 2037/0611; F24C 15/10;
F24C 15/102; H05B 6/02; H05B 6/062

See application file for complete search history.

(56) **References Cited**

U.S. PATENT DOCUMENTS

D155,422 S * 10/1949 Henderson D7/674
D419,823 S * 2/2000 Choi D7/352

D451,754 S * 12/2001 Cousins D7/352
D467,766 S * 12/2002 Wanat A47J 37/0611
D7/352
D602,732 S * 10/2009 Busse D7/352
D643,673 S * 8/2011 Lavy D7/352
D668,500 S * 10/2012 Lavy D7/352
D669,302 S * 10/2012 Lavy D7/352
D688,513 S * 8/2013 Garman A47J 37/0611
D7/352
8,692,164 B2 * 4/2014 Krishnan A47J 37/0611
219/450.1
D750,417 S * 3/2016 Meraz D7/352
D753,431 S * 4/2016 Garman D7/352

* cited by examiner

Primary Examiner — Ricky Pham

(74) *Attorney, Agent, or Firm* — Wang Law Firm, Inc.

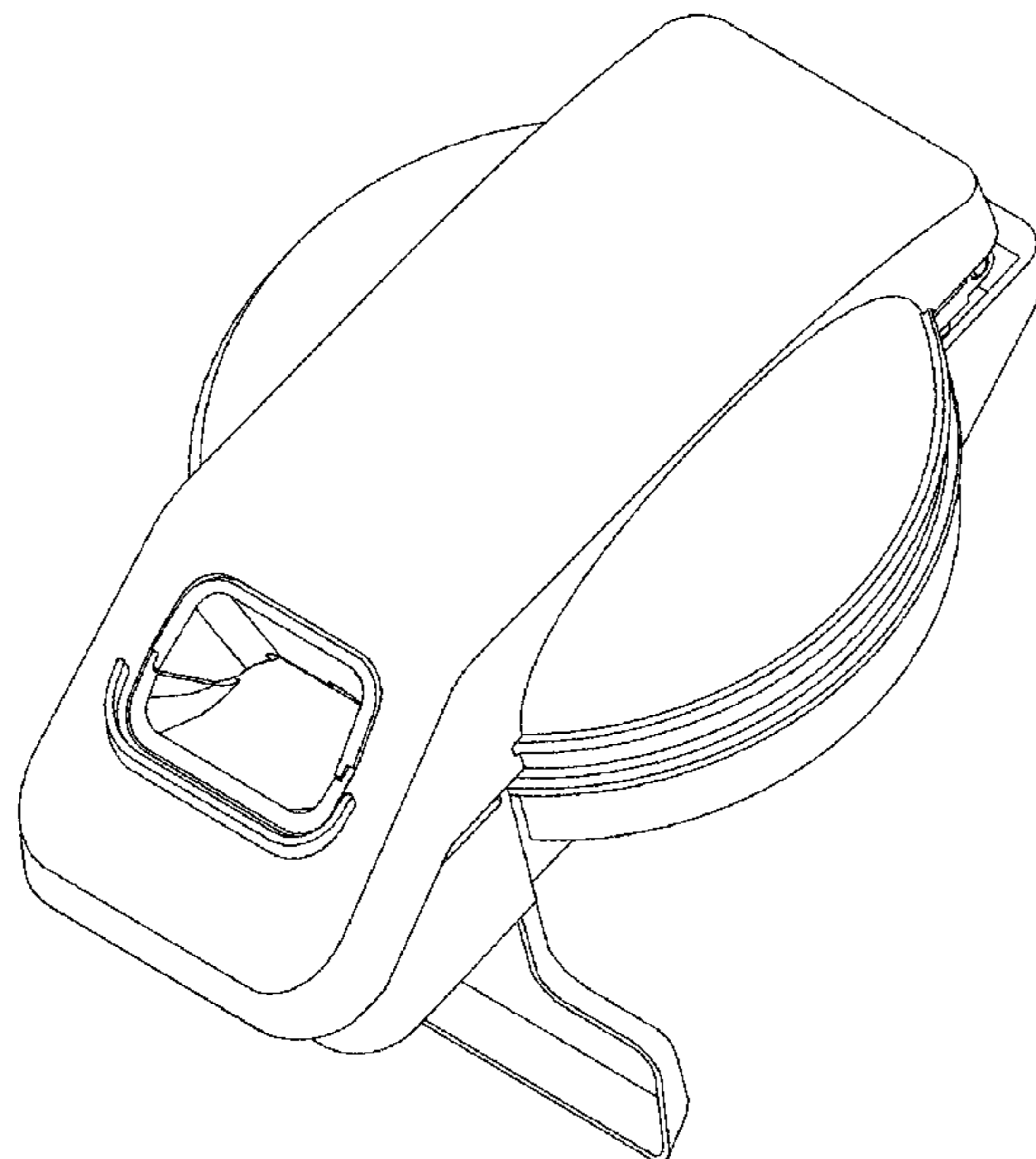
(57) **CLAIM**

The ornamental design for a cooking device, as shown and described.

DESCRIPTION

FIG. 1 is a front view of a cooking device showing my new design;
FIG. 2 is a rear view thereof;
FIG. 3 is a left side view thereof;
FIG. 4 is a right side view thereof;
FIG. 5 is a top plan view thereof;
FIG. 6 is a bottom plan view thereof; and,
FIG. 7 is a perspective view thereof.

1 Claim, 7 Drawing Sheets



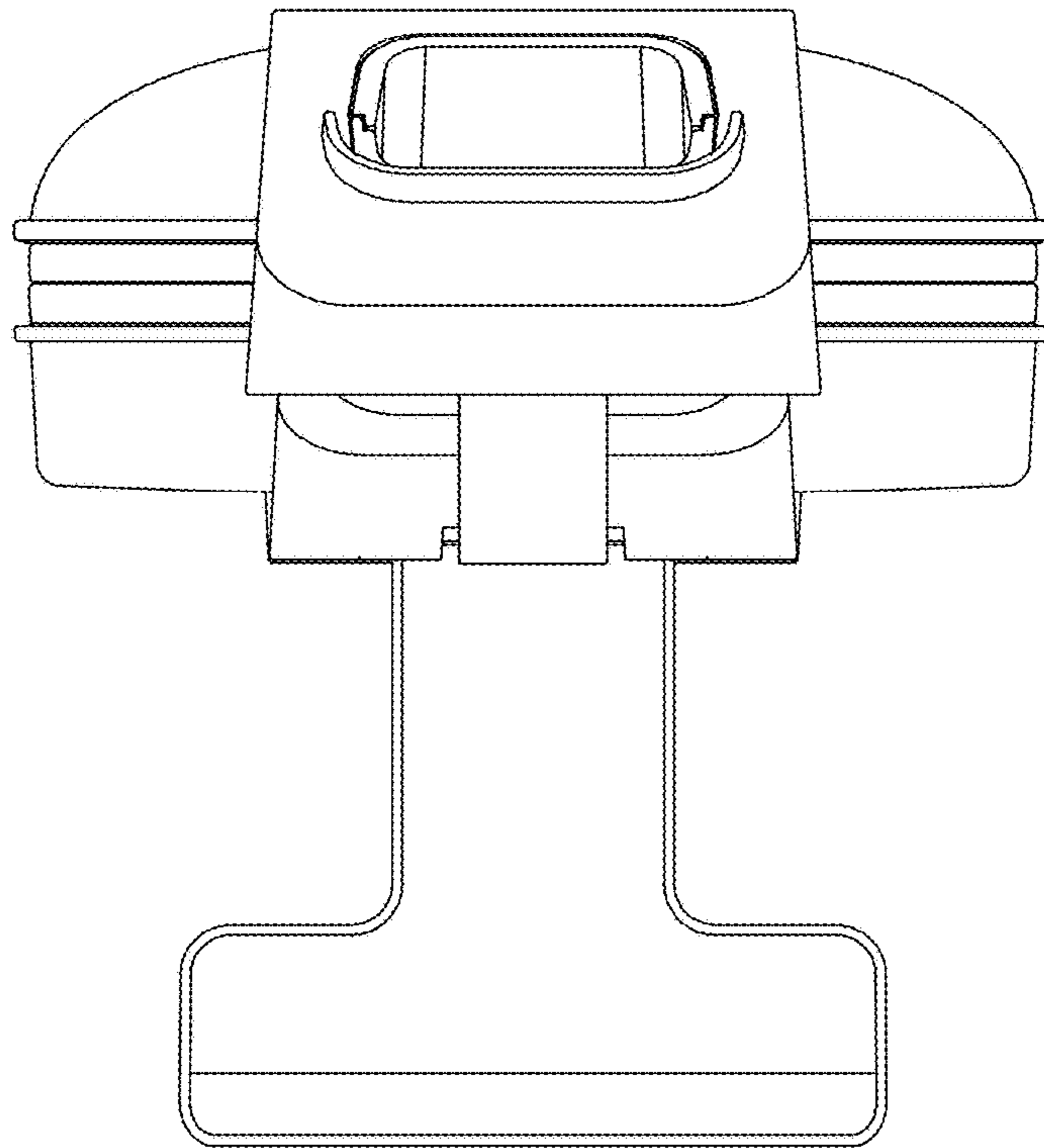


FIG.1

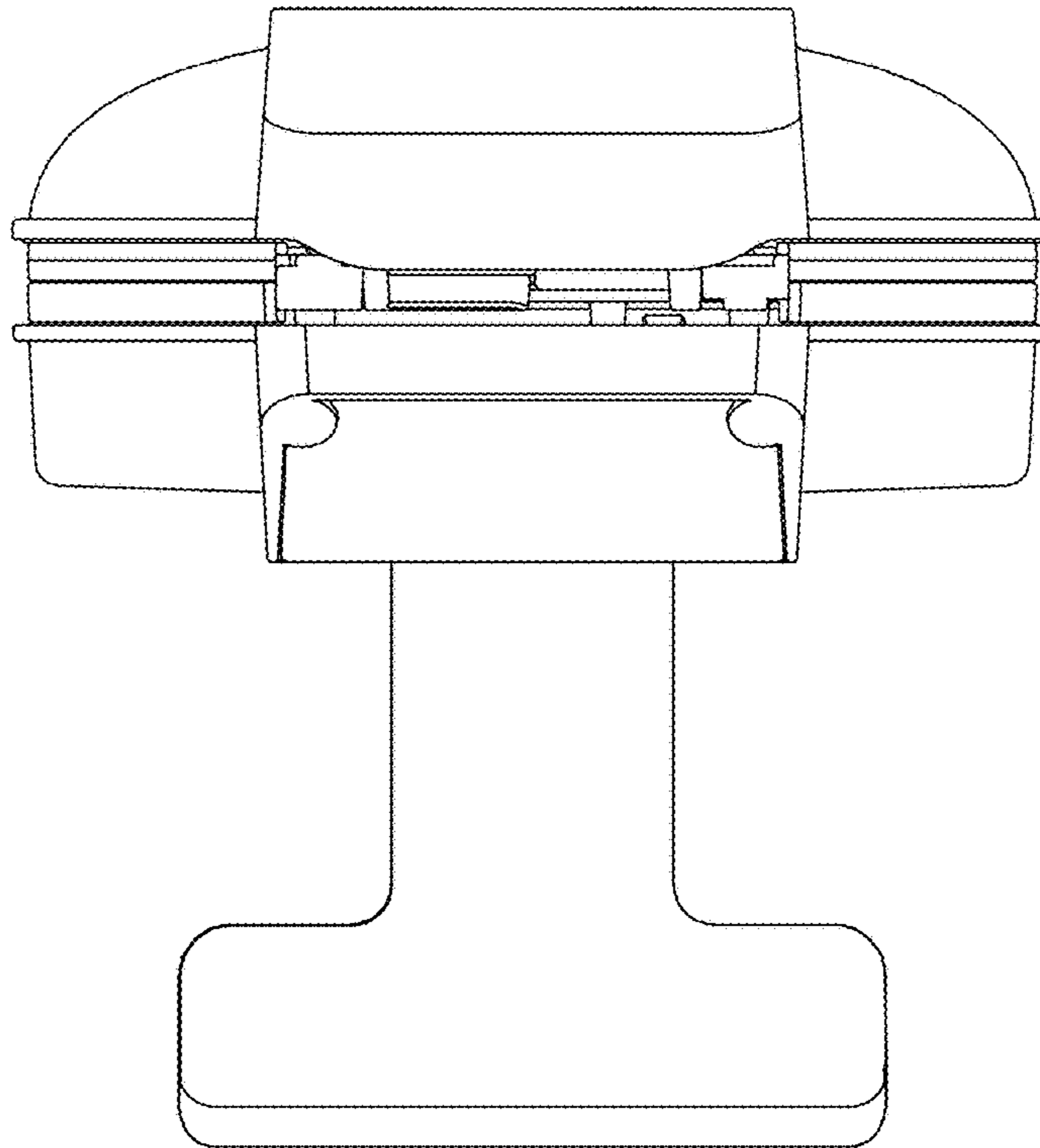


FIG.2

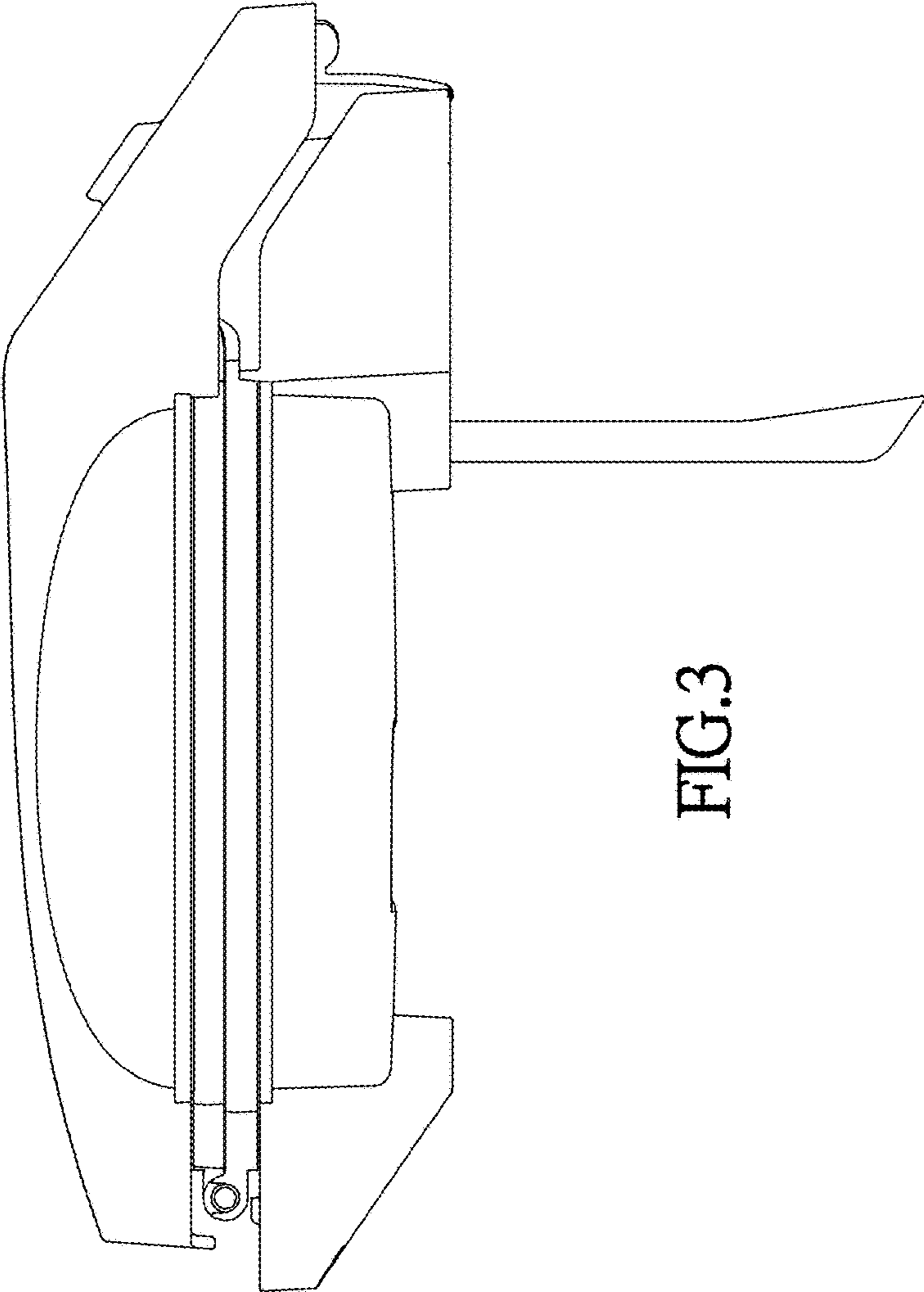


FIG.3

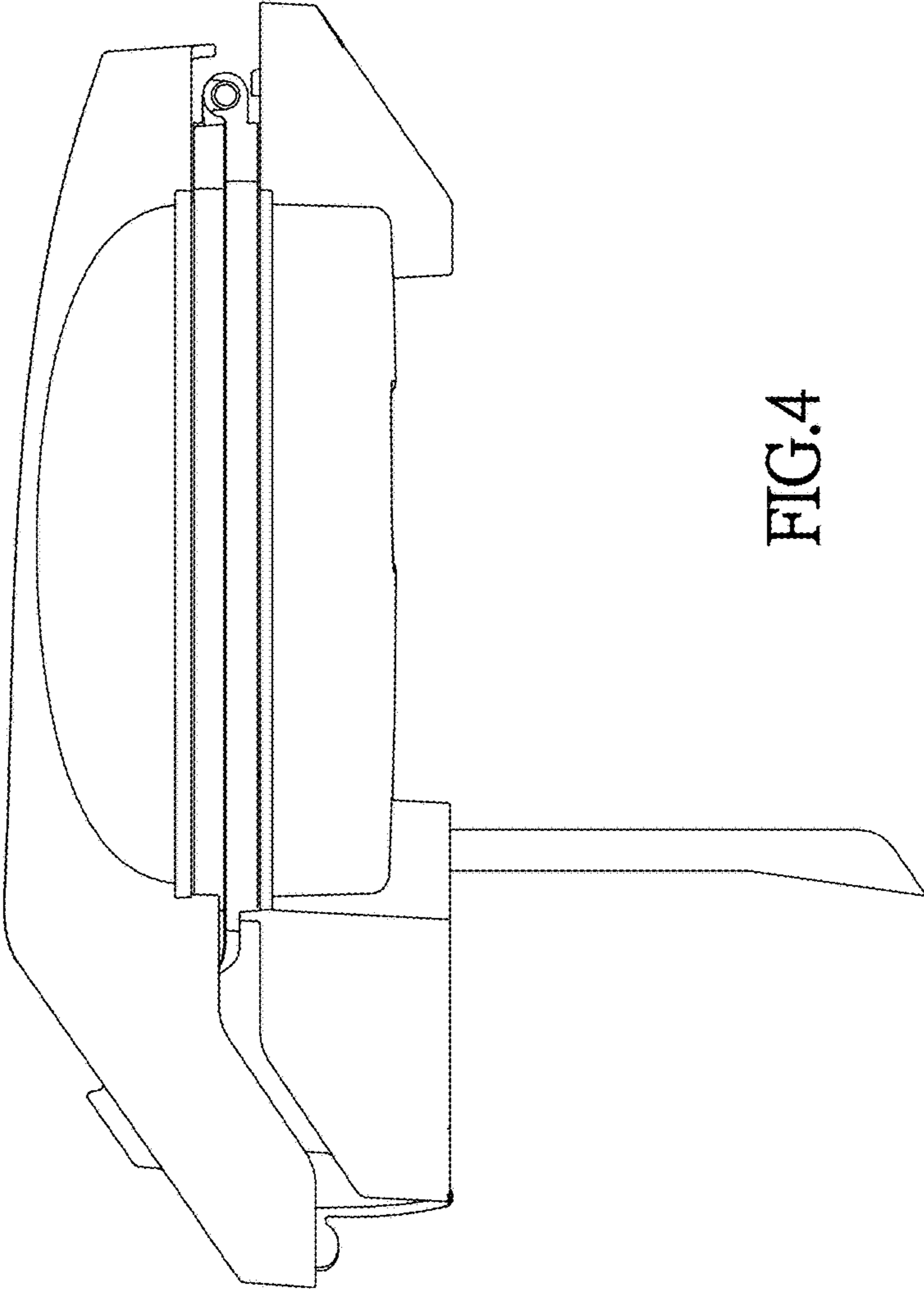


FIG.4

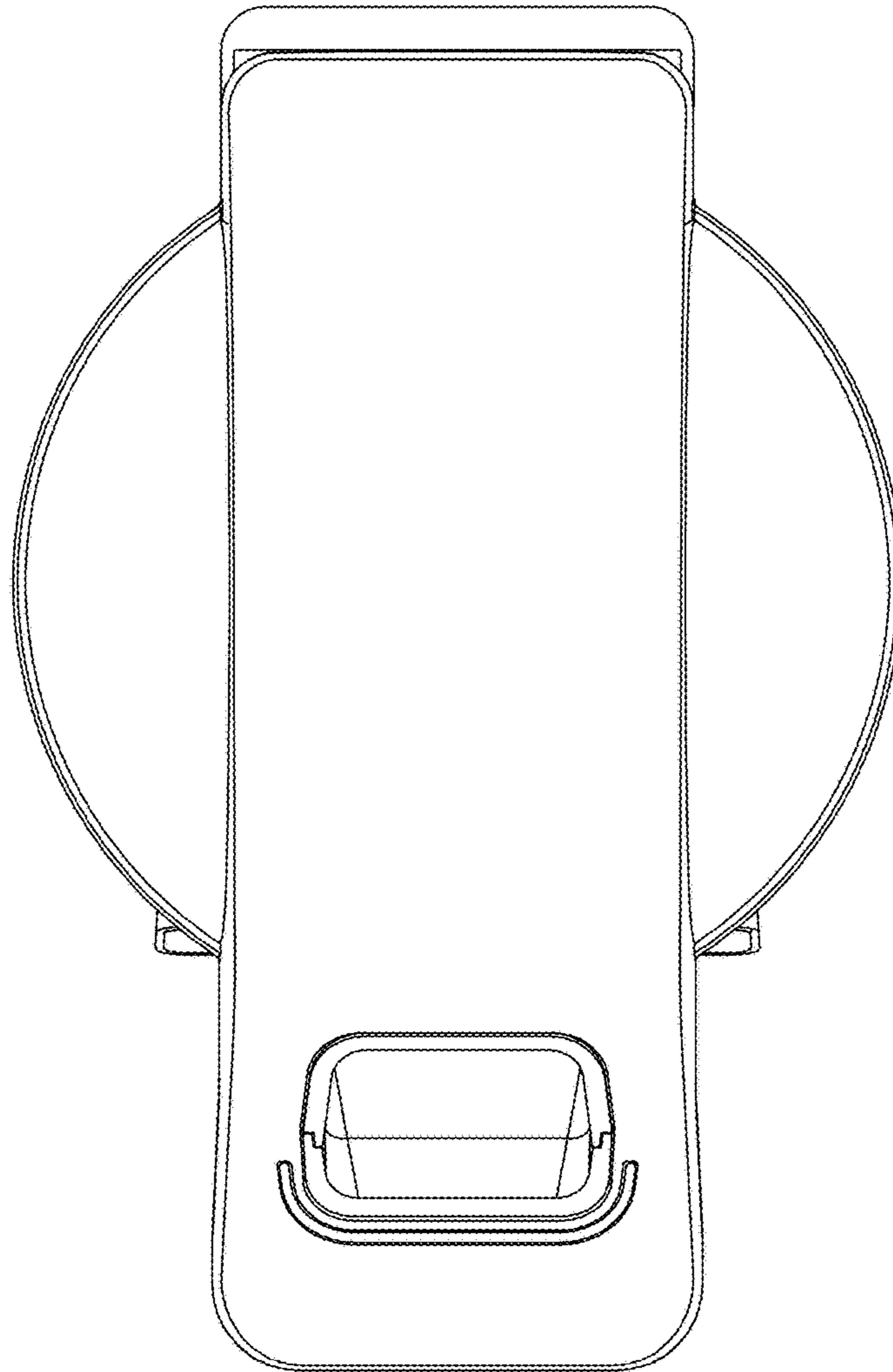


FIG.5

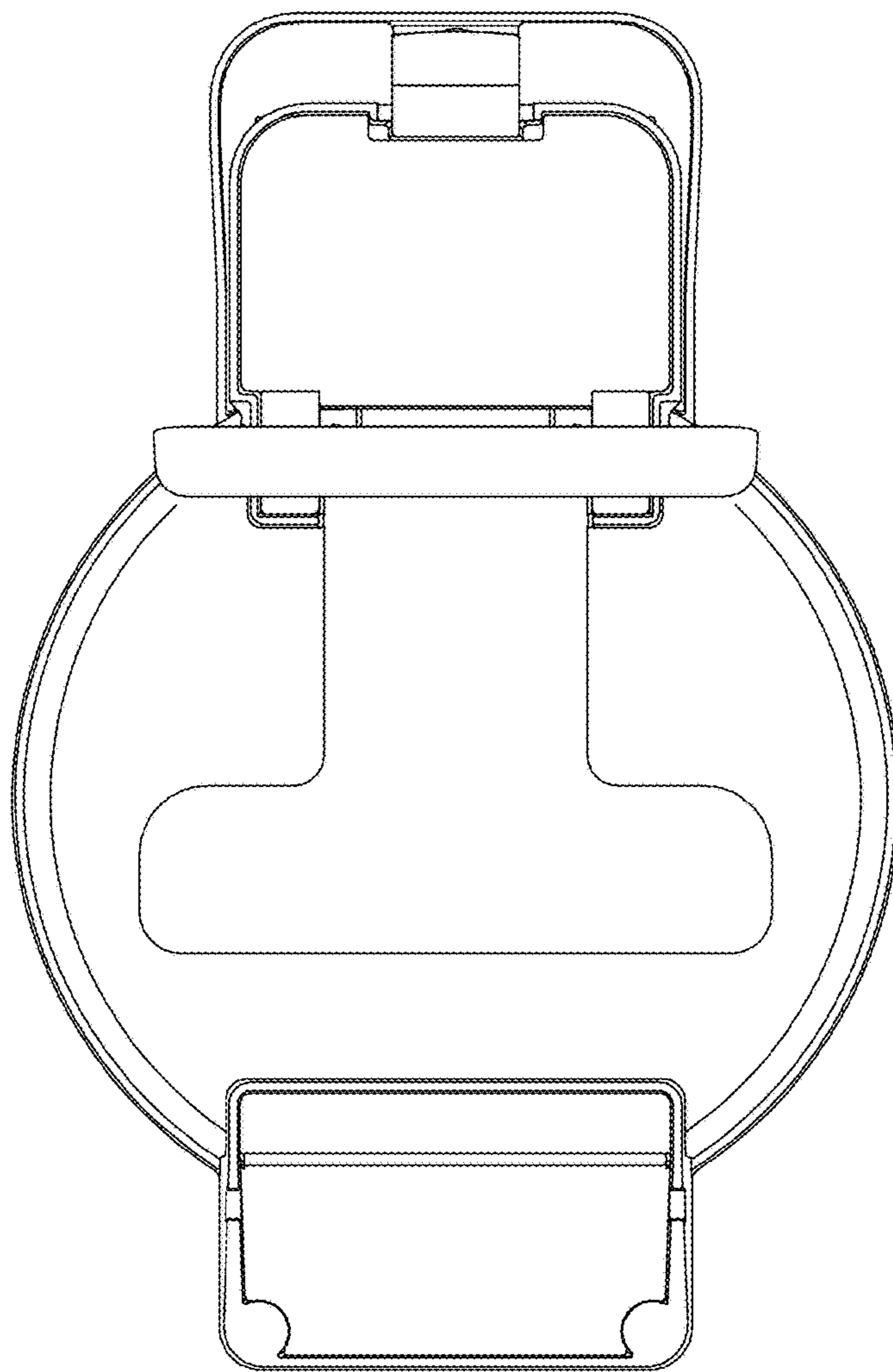


FIG.6

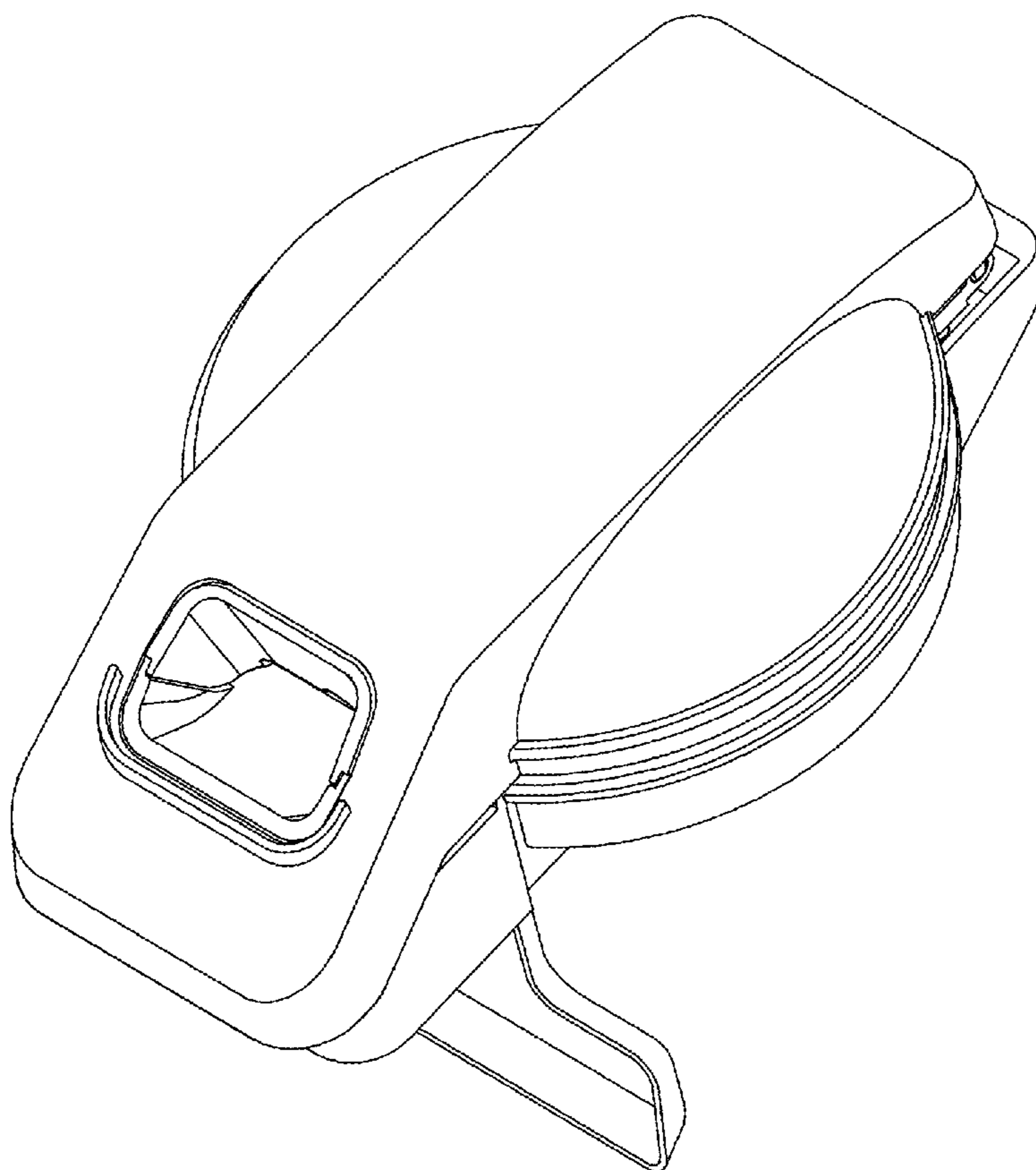


FIG.7