



US00D839654S

(12) **United States Design Patent** (10) **Patent No.:** **US D839,654 S**
Lin (45) **Date of Patent:** **** Feb. 5, 2019**

(54) **TOASTER**

(56) **References Cited**

(71) Applicant: **Tsann Kuen (Zhangzhou) Enterprise Co., Ltd., Zhangzhou (CN)**

(72) Inventor: **Ping Lin, Zhangzhou (CN)**

(73) Assignee: **Tsann Kuen (Zhangzhou) Enterprise Co., Ltd., Zhang Zhou (CN)**

(**) Term: **15 Years**

(21) Appl. No.: **29/619,811**

(22) Filed: **Oct. 2, 2017**

(30) **Foreign Application Priority Data**

Apr. 14, 2017 (CN) 2017 3 0124358

(51) **LOC (11) Cl.** **07-02**

(52) **U.S. Cl.**
USPC **D7/330**

(58) **Field of Classification Search**
USPC D7/323, 328-330, 390
CPC ... A21B 2/00; A47J 37/00; A47J 37/06; A47J 37/0611; A47J 37/08; A47J 37/0807; A47J 37/0814; A47J 37/0835; A47J 37/0842; A47J 37/085; A47J 37/0857; A47J 37/0864; A47J 37/0878; A47J 37/0885; A47J 37/0892; F24C 15/10; F24C 15/102

See application file for complete search history.

U.S. PATENT DOCUMENTS

D502,629 S *	3/2005	Guyett	D7/330
D527,568 S *	9/2006	Page	D7/330
D593,358 S *	6/2009	Kim	D7/330
D613,546 S *	4/2010	Picozza	D7/330
D622,092 S *	8/2010	Picozza	D7/330
D688,508 S *	8/2013	Garman	D7/330
D688,509 S *	8/2013	Carlson	D7/330
D701,720 S *	4/2014	Palermo	D7/330
D702,074 S *	4/2014	De'Longhi	A47J 37/08 D7/330
9,131,804 B2 *	9/2015	Turner	A47J 37/08
D746,093 S *	12/2015	Bazzicalupo	D7/330
D758,780 S *	6/2016	Affatato	D7/330
D759,418 S *	6/2016	Affatato	D7/330

* cited by examiner

Primary Examiner — Ricky Pham

(74) *Attorney, Agent, or Firm* — Wang Law Firm, Inc.

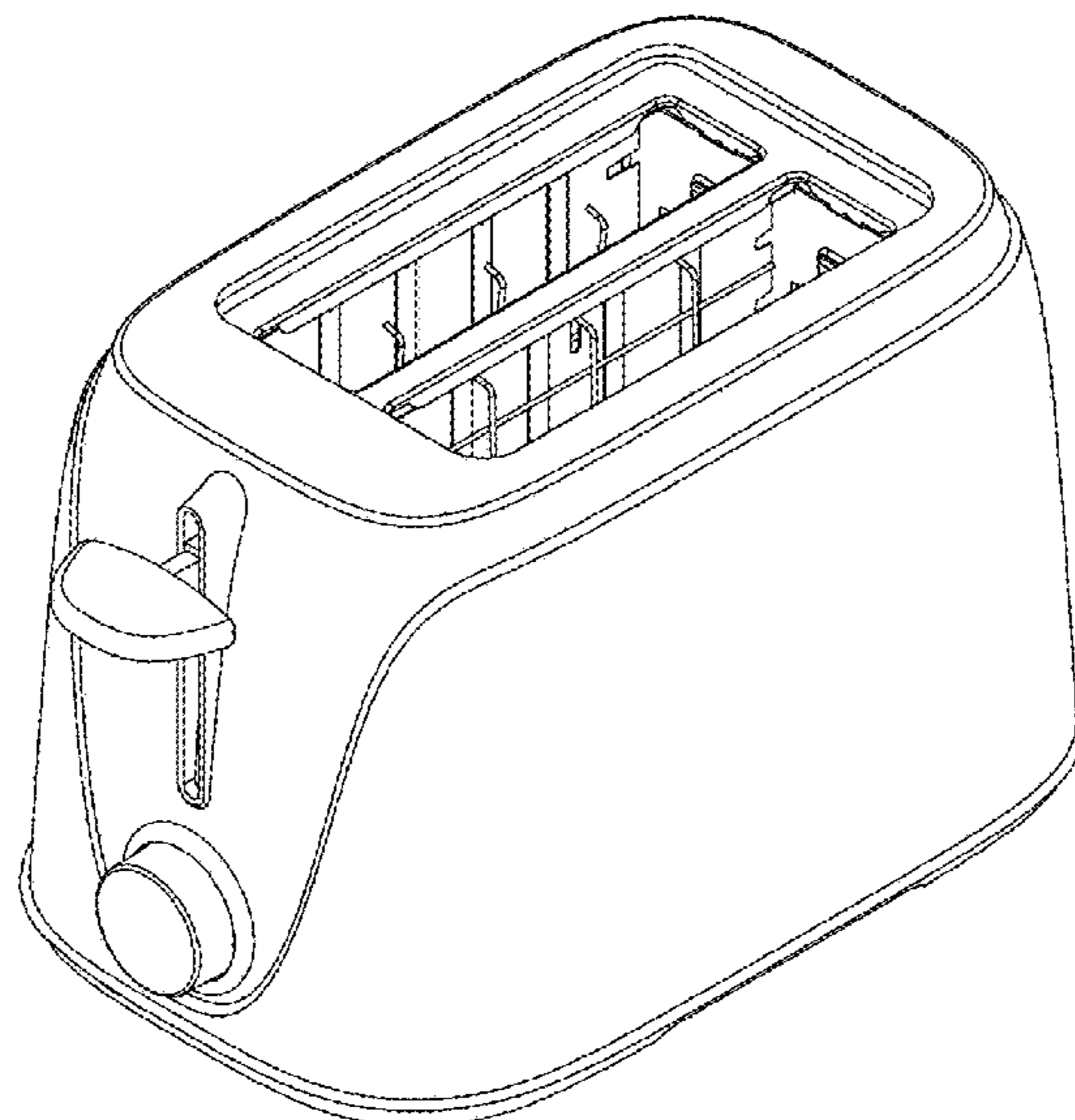
(57) **CLAIM**

The ornamental design for a toaster, as shown and described.

DESCRIPTION

FIG. 1 is a front view of a toaster showing my new design; FIG. 2 is a rear view thereof; FIG. 3 is a left side view thereof; FIG. 4 is a right side view thereof; FIG. 5 is a top plan view thereof; FIG. 6 is a bottom plan view thereof; and, FIG. 7 is a perspective view thereof.

1 Claim, 7 Drawing Sheets



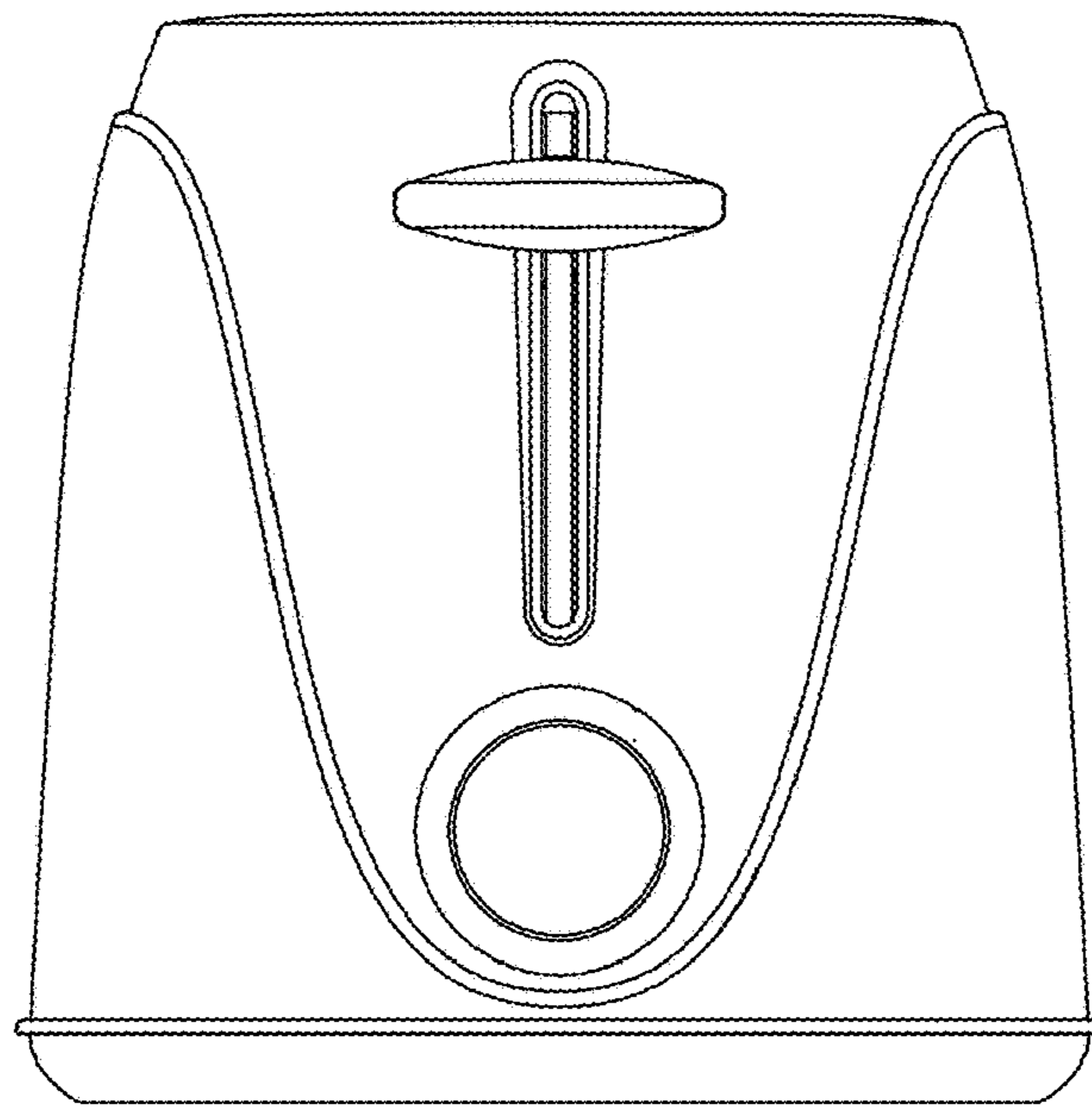


FIG.1

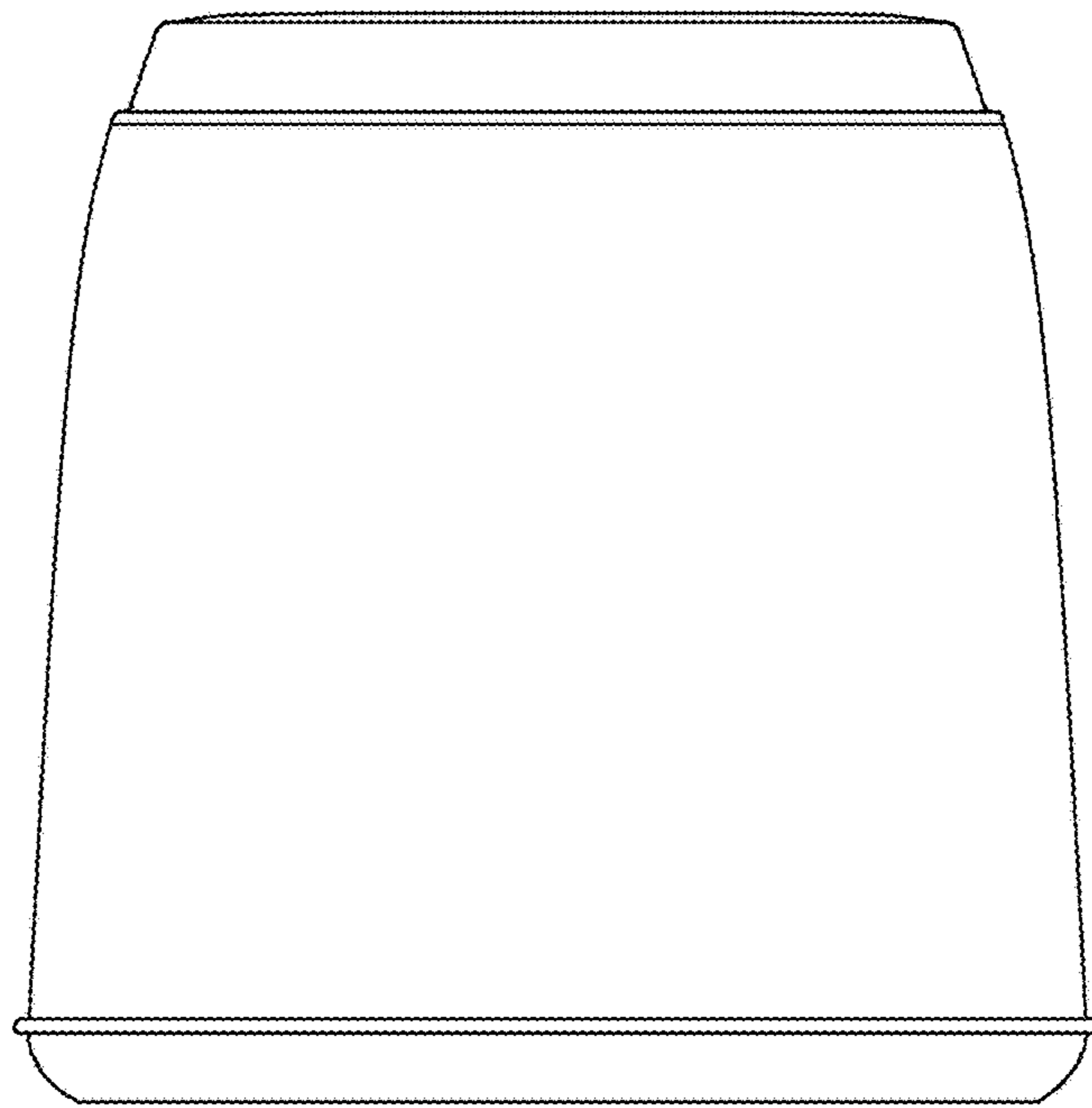


FIG.2

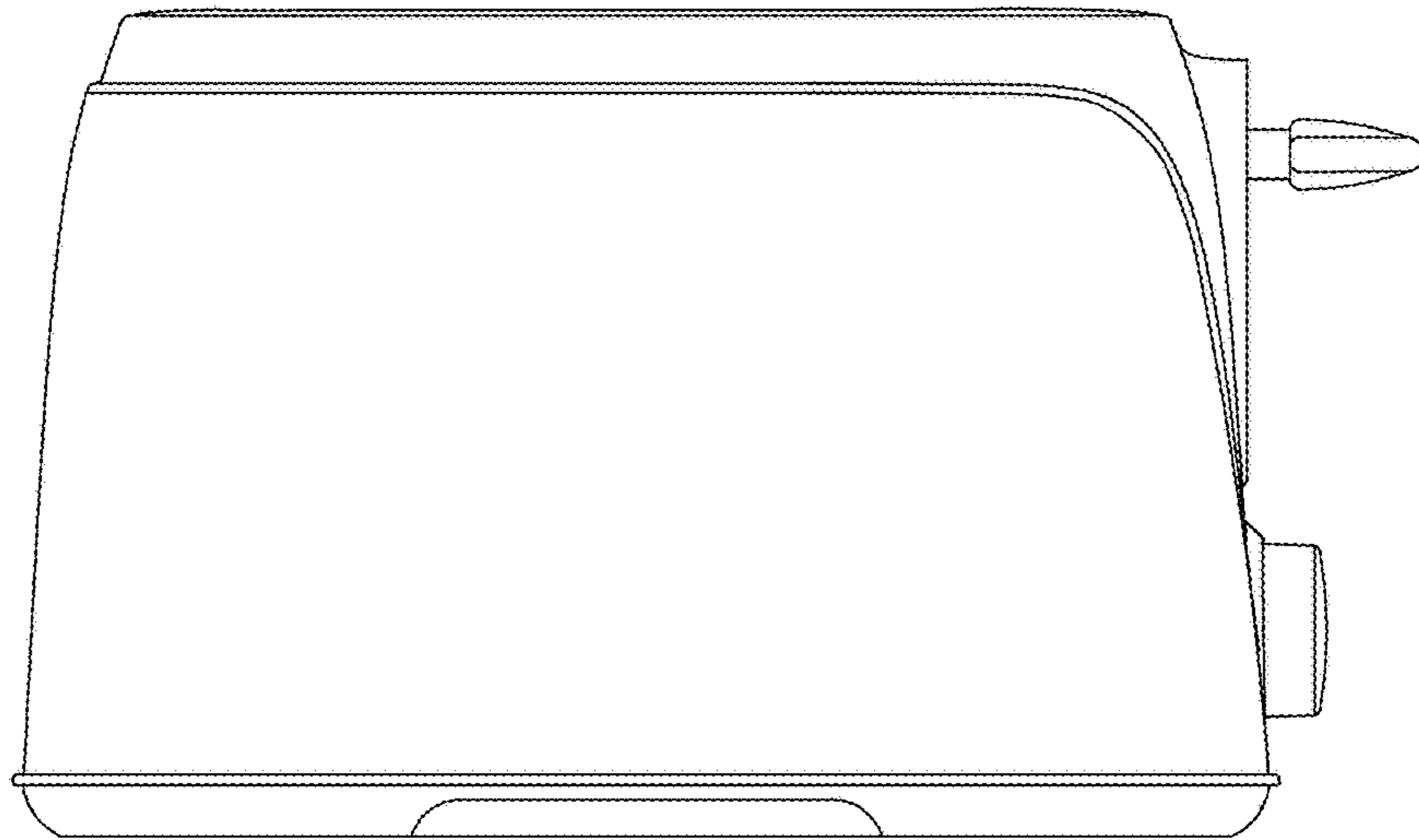


FIG.3

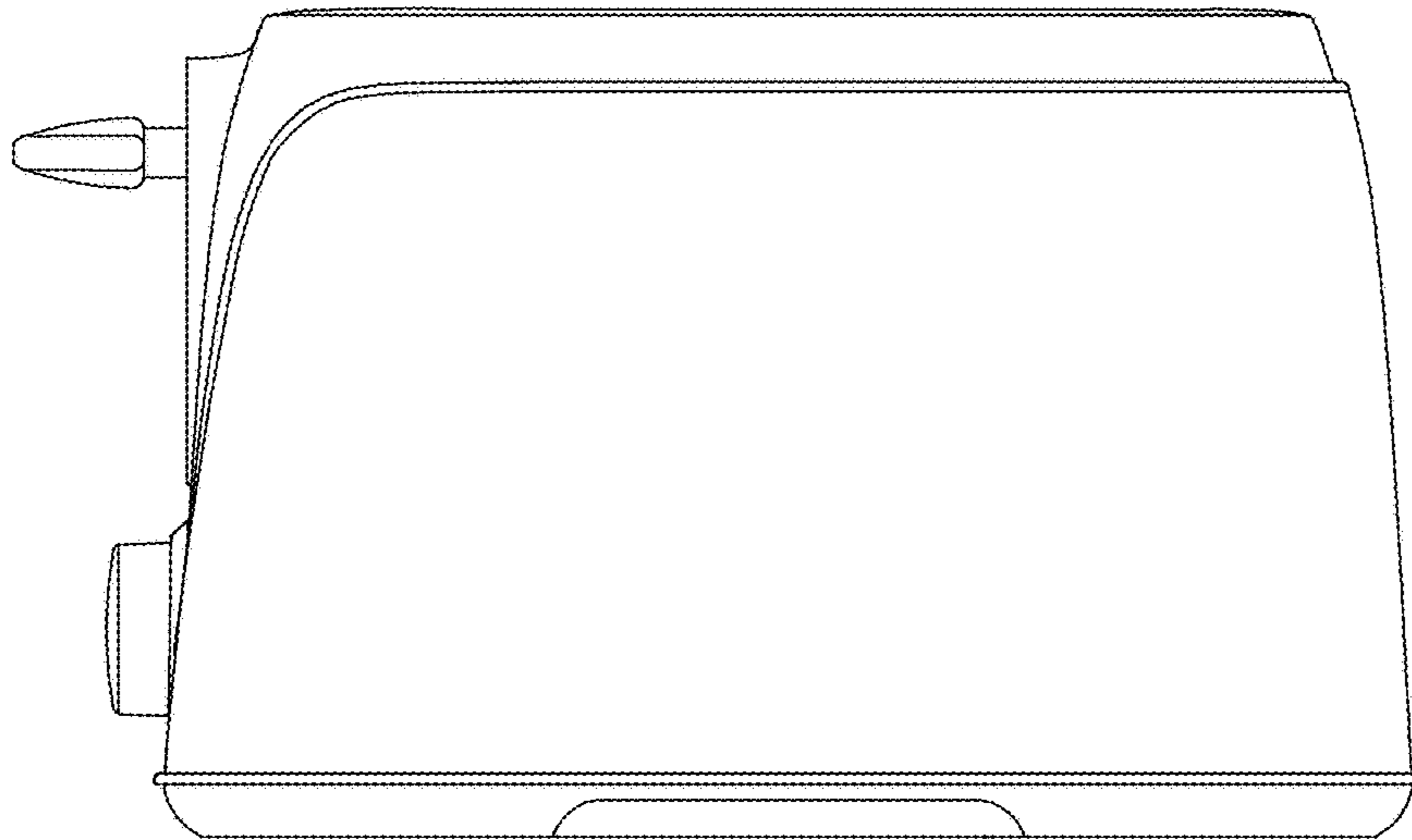


FIG.4

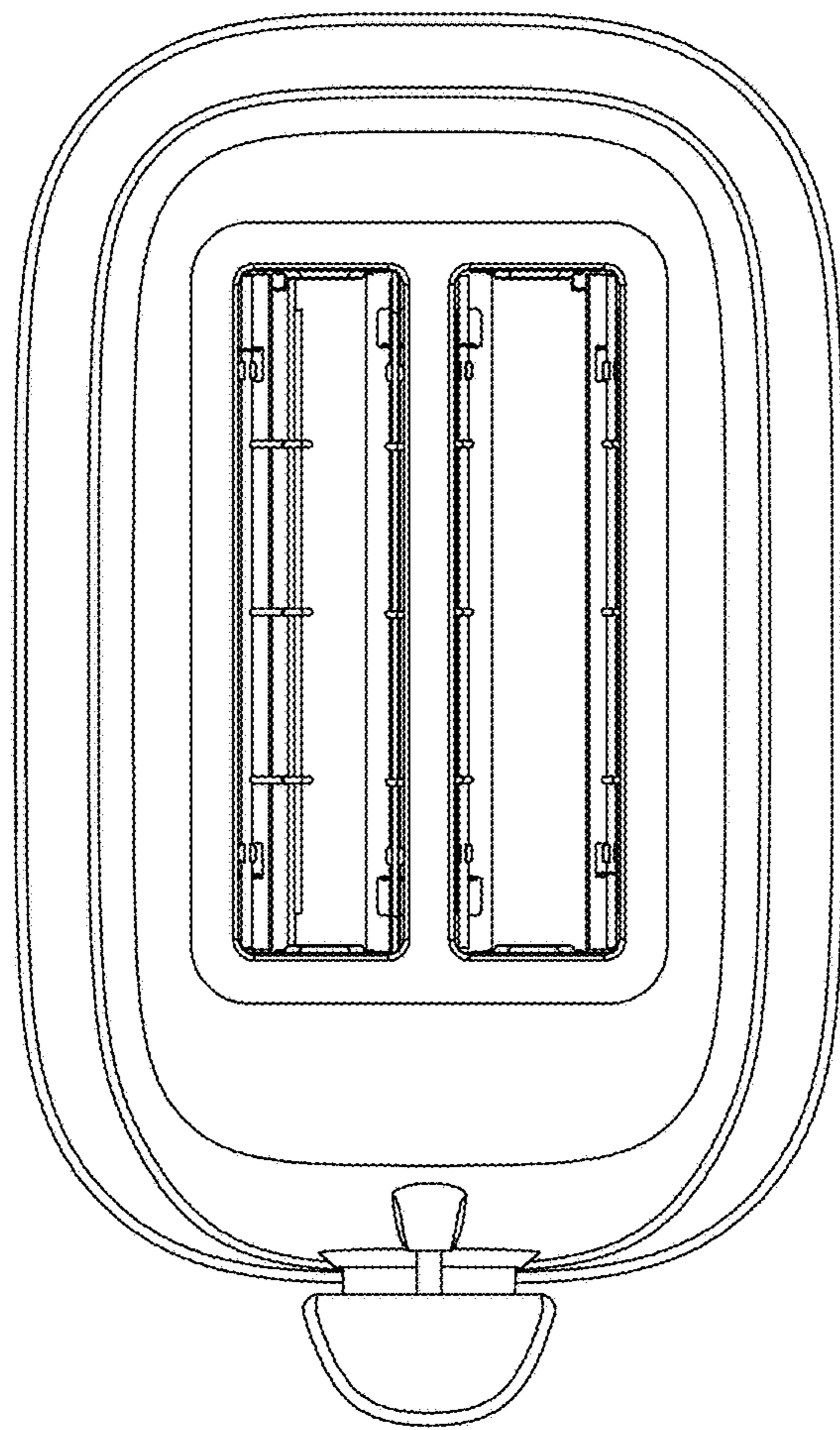


FIG.5

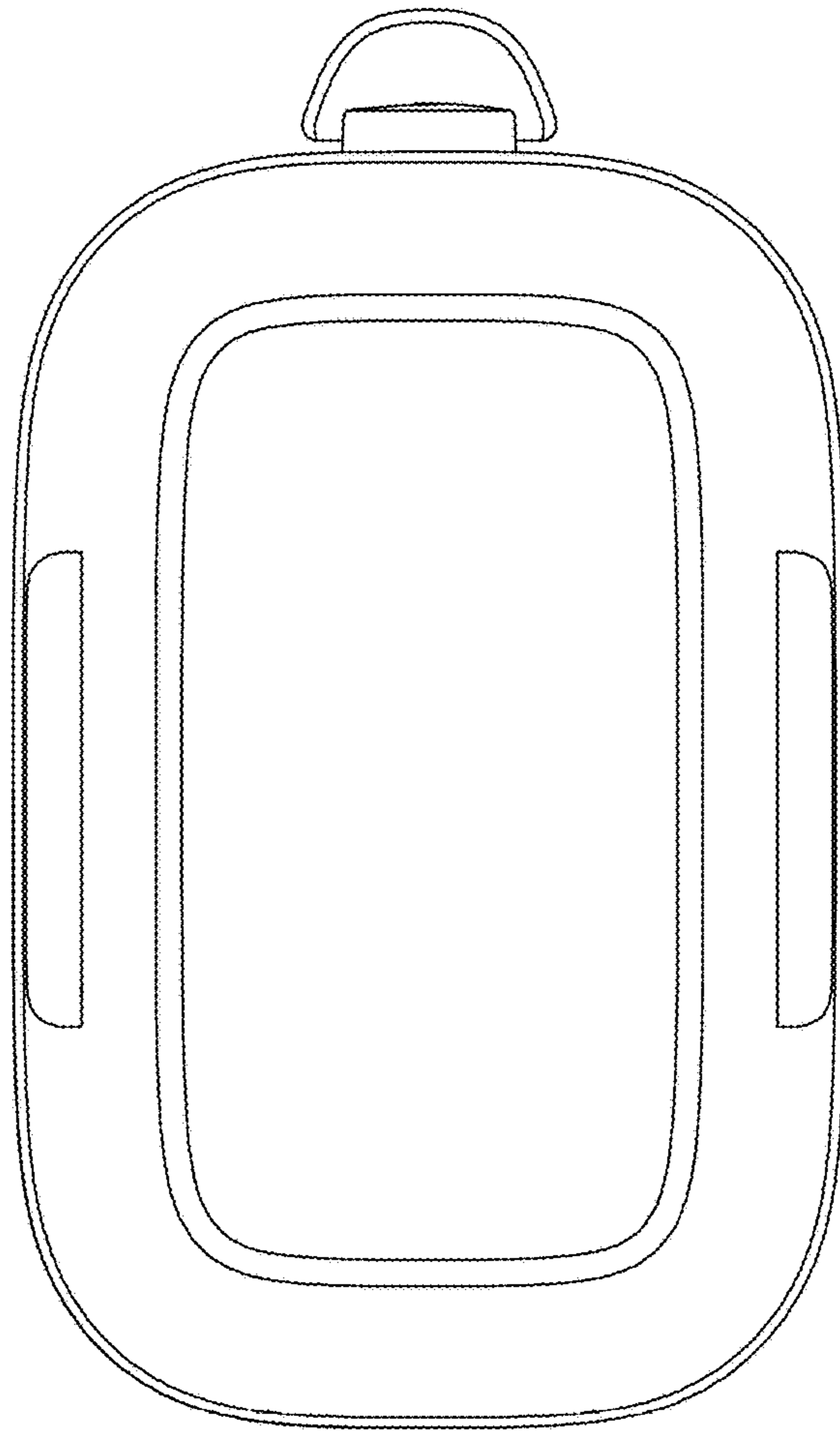


FIG.6

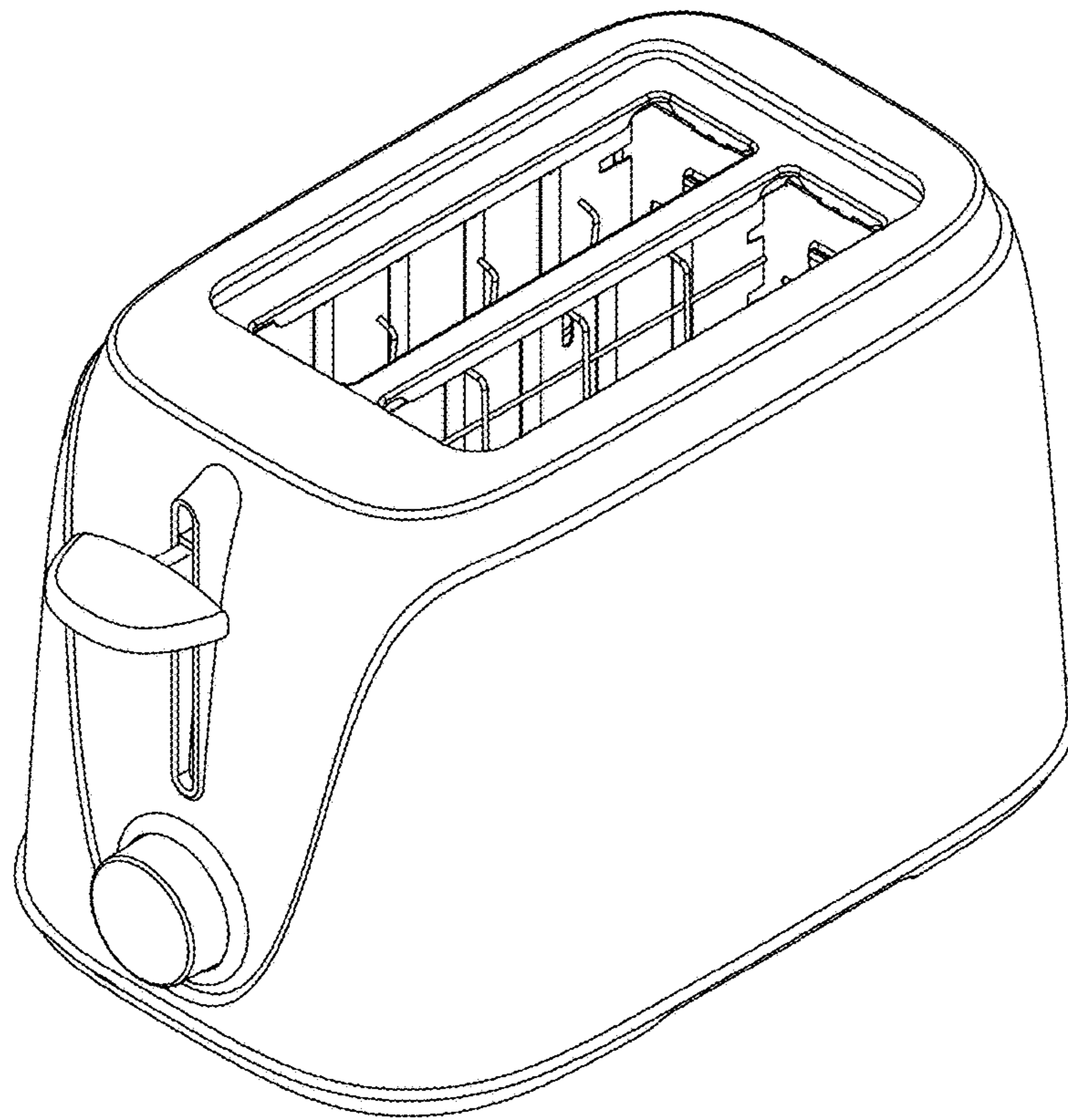


FIG.7