



US00D839651S

(12) **United States Design Patent** (10) **Patent No.:** **US D839,651 S**
Green et al. (45) **Date of Patent:** **** Feb. 5, 2019**

- (54) **CLASSROOM CHAIR SEAT**
- (71) Applicant: **Krueger International, Inc.**, Green Bay, WI (US)
- (72) Inventors: **Shawn D. Green**, Green Bay, WI (US); **Scott Anthony Bosman**, Green Bay, WI (US); **Xeng Xue Vang**, Green Bay, WI (US)
- (73) Assignee: **Krueger International, Inc.**, Green Bay, WI (US)
- (**) Term: **15 Years**
- (21) Appl. No.: **29/580,455**
- (22) Filed: **Oct. 10, 2016**
- (51) **LOC (11) Cl.** **06-01**
- (52) **U.S. Cl.**
USPC **D6/716.1**
- (58) **Field of Classification Search**
USPC D6/334-336, 370, 371, 372, 373, 374, D6/375, 376, 379, 380, 716, 716.1, 716.2, D6/716.3, 716.4
CPC A47C 3/04; A47C 4/02; A47C 4/03; A47C 5/04; A47C 5/06; A47C 5/12; A47C 7/16
See application file for complete search history.

- D409,407 S * 5/1999 Wang D6/374
- D415,626 S * 10/1999 Van Rhiemen D6/379
- D418,323 S * 1/2000 Van Rhiemen D6/370
- D448,190 S * 9/2001 Chang D6/374
- D512,236 S * 12/2005 Preisig D6/380
- D694,563 S * 12/2013 Skalka D6/716.1

* cited by examiner

Primary Examiner — Mimosa De
(74) *Attorney, Agent, or Firm* — Andrus Intellectual Property Law, LLP

(57) **CLAIM**

The ornamental design for a classroom chair seat, as shown and described.

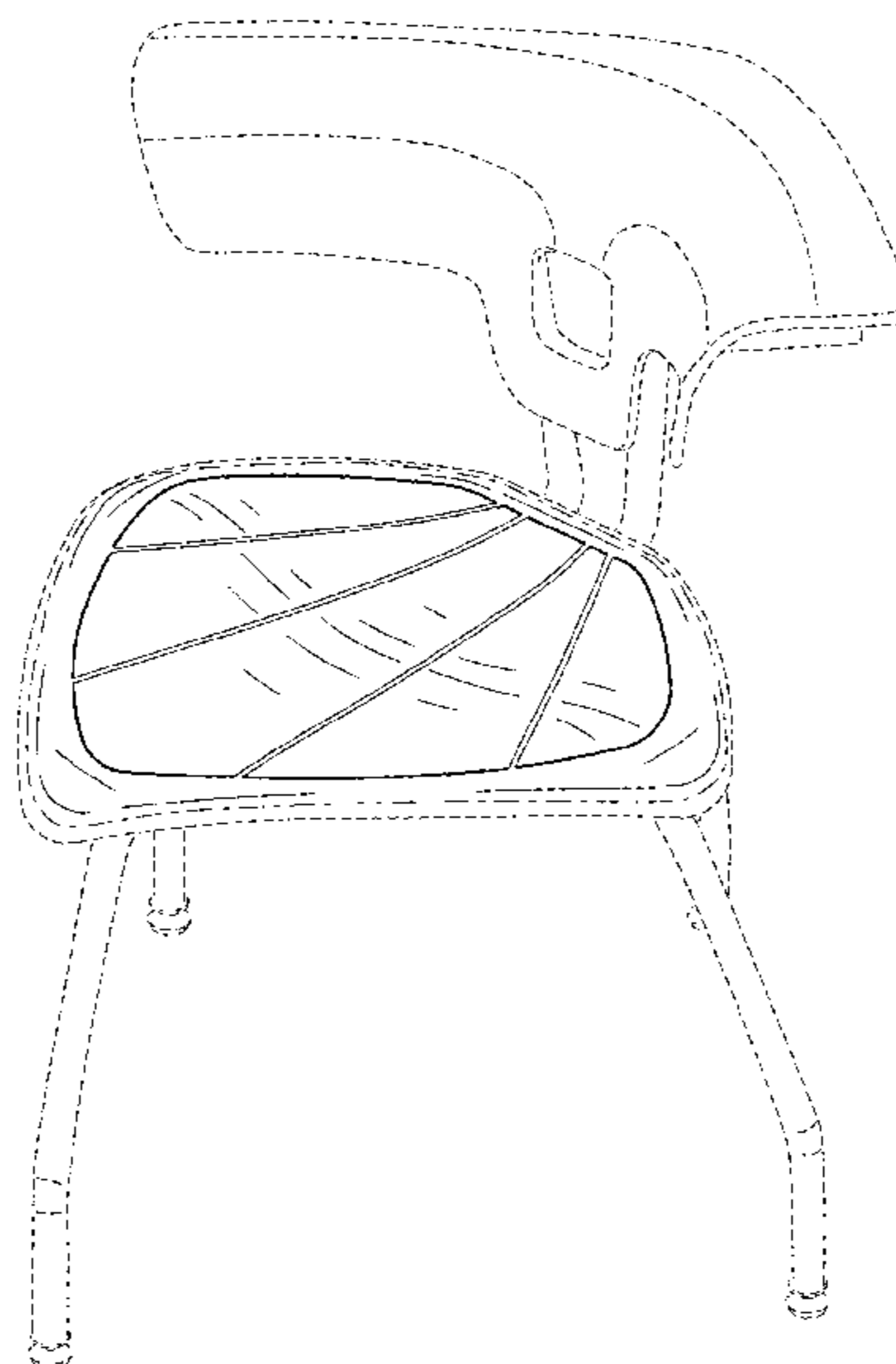
DESCRIPTION

FIG. 1 is a front isometric view of a first embodiment of a seat for a classroom chair;
 FIG. 2 is a front elevation view thereof;
 FIG. 3 is a rear elevation view thereof;
 FIG. 4 is a right side elevation view thereof;
 FIG. 5 is a left side elevation view thereof;
 FIG. 6 is a top plan view thereof;
 FIG. 7 is a bottom plan view thereof;
 FIG. 8 is a front isometric view of a second embodiment of a seat for a classroom chair;
 FIG. 9 is a front elevation view thereof;
 FIG. 10 is a rear elevation view thereof;
 FIG. 11 is a right side elevation view thereof;
 FIG. 12 is a left side elevation view thereof;
 FIG. 13 is a top plan view thereof; and,
 FIG. 14 is a bottom plan view thereof.

The broken lines in the drawing views are included for purposes of illustrating environment and form no part of the claimed design. The dash-dot line, shown around the seat of FIGS. 1-6, defines boundary of the claimed design.

1 Claim, 8 Drawing Sheets

- (56) **References Cited**
U.S. PATENT DOCUMENTS
- D55,399 S * 6/1920 Rieder D6/374
- D64,473 S * 4/1924 Rieder D6/374
- D147,615 S * 10/1947 Eames D6/374
- D195,256 S * 5/1963 Andersen et al. 297/446.1
- 5,002,337 A * 3/1991 Engel A47C 3/04
108/53.3
- D335,968 S * 6/1993 Bengtson D6/370



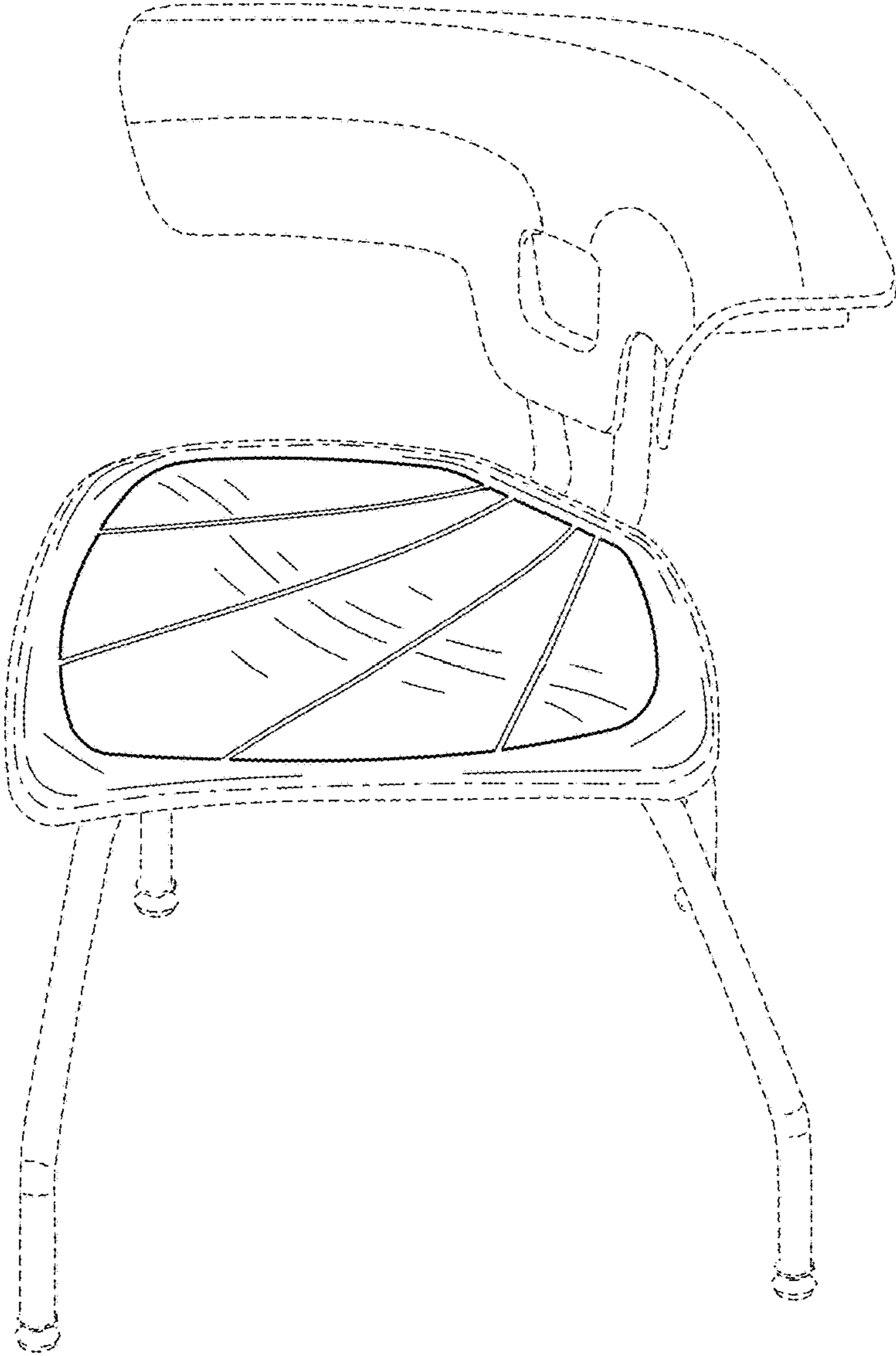


FIG. 1

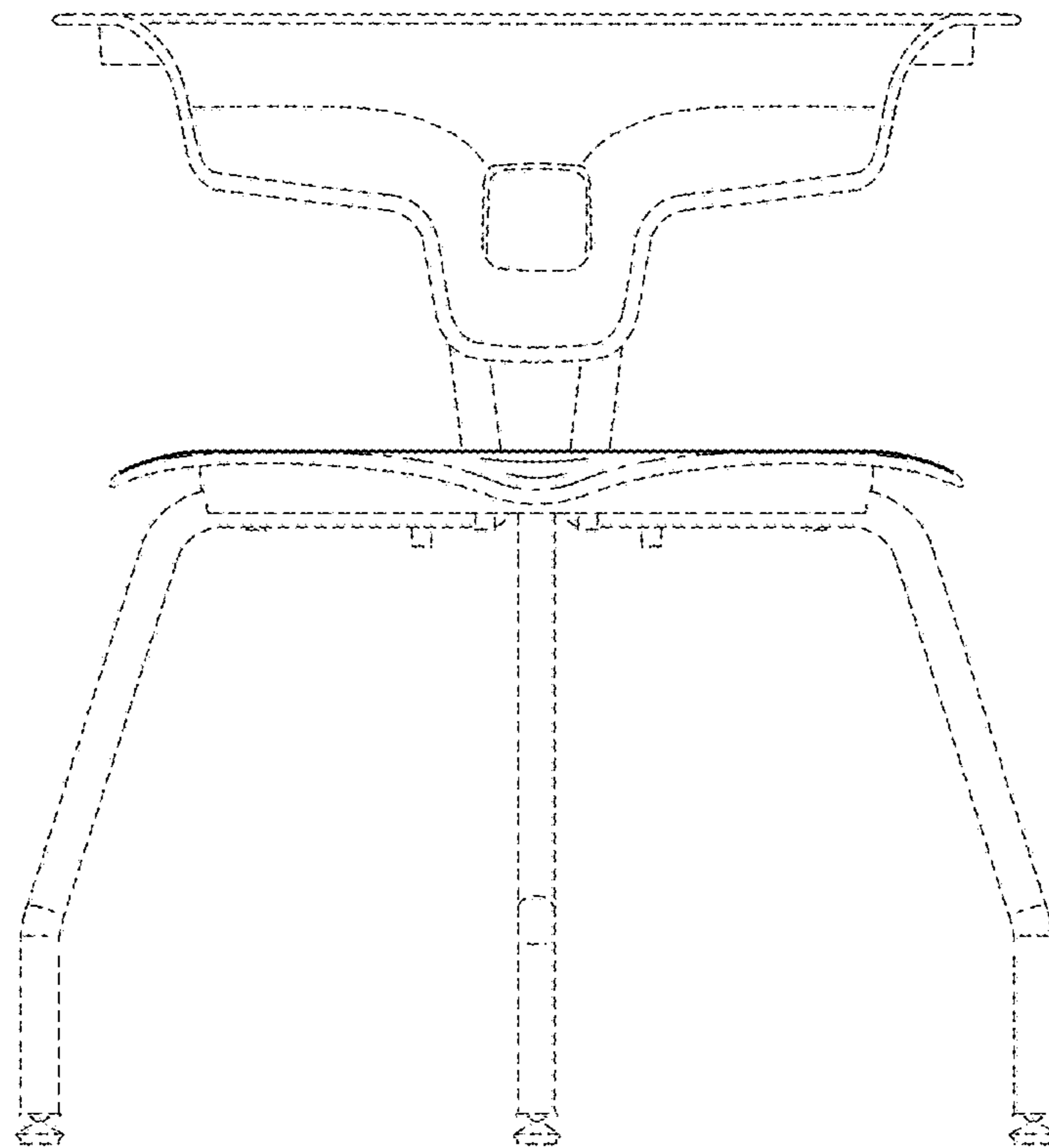


FIG. 2

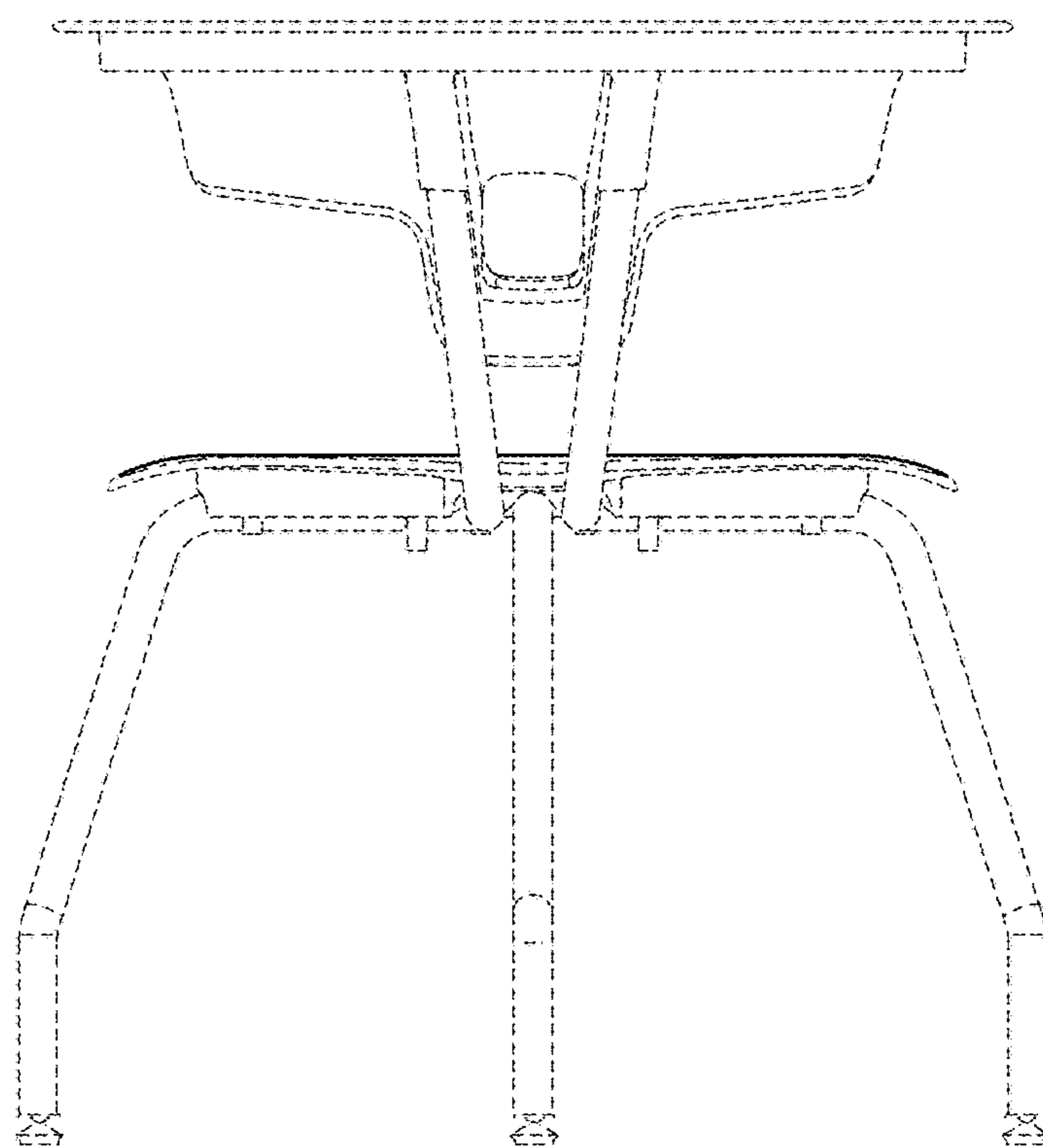


FIG. 3

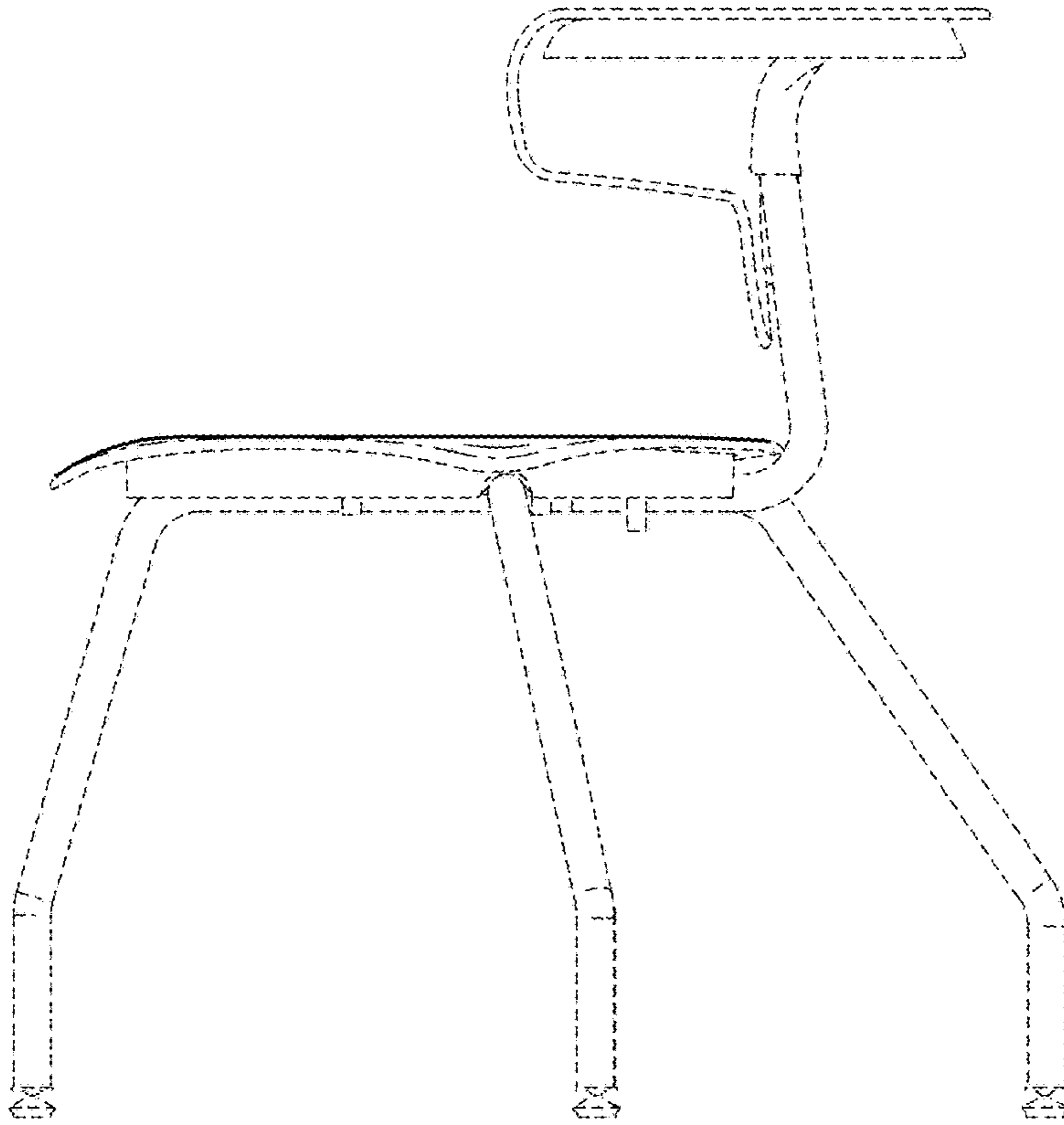


FIG. 4

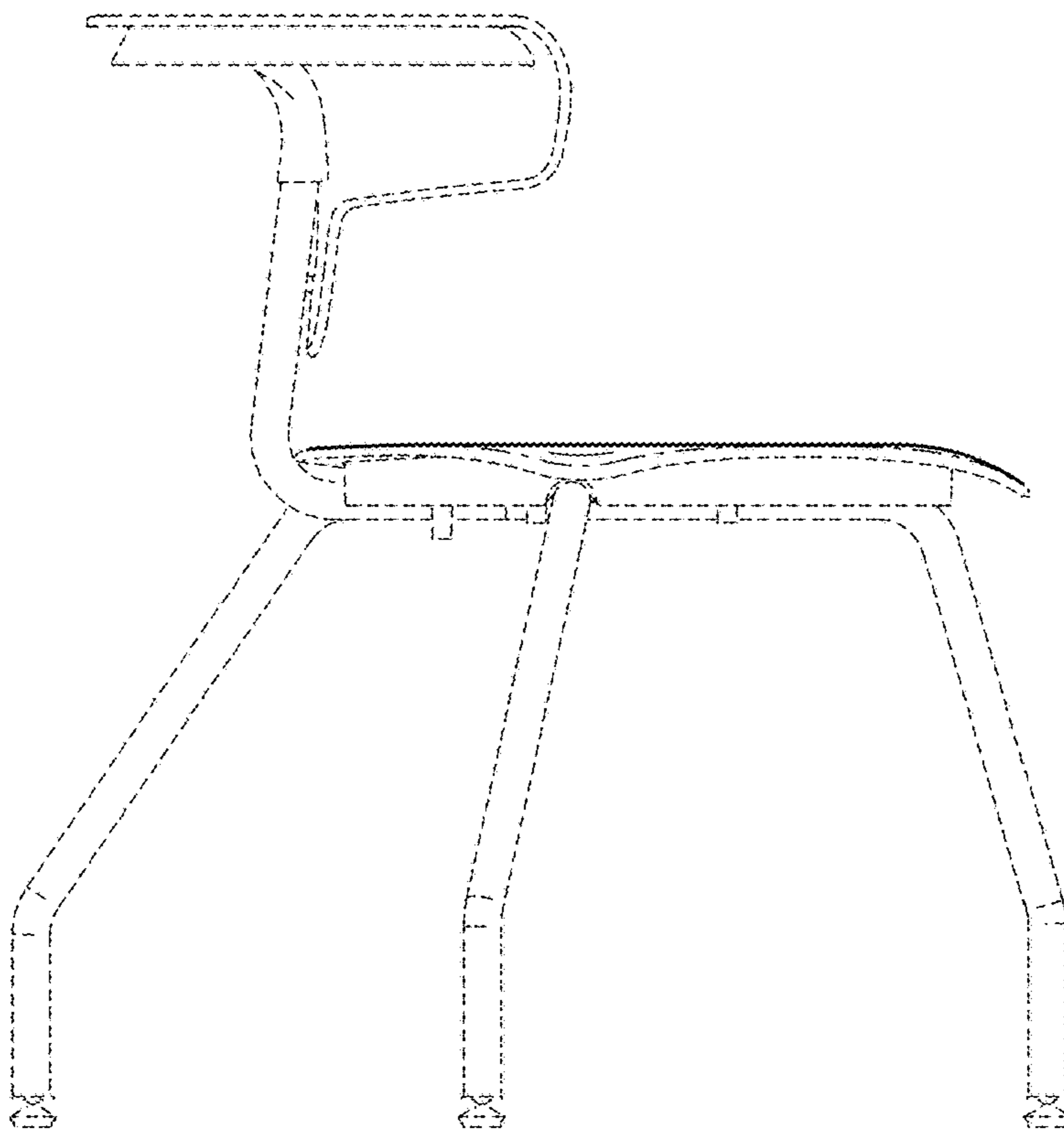


FIG. 5

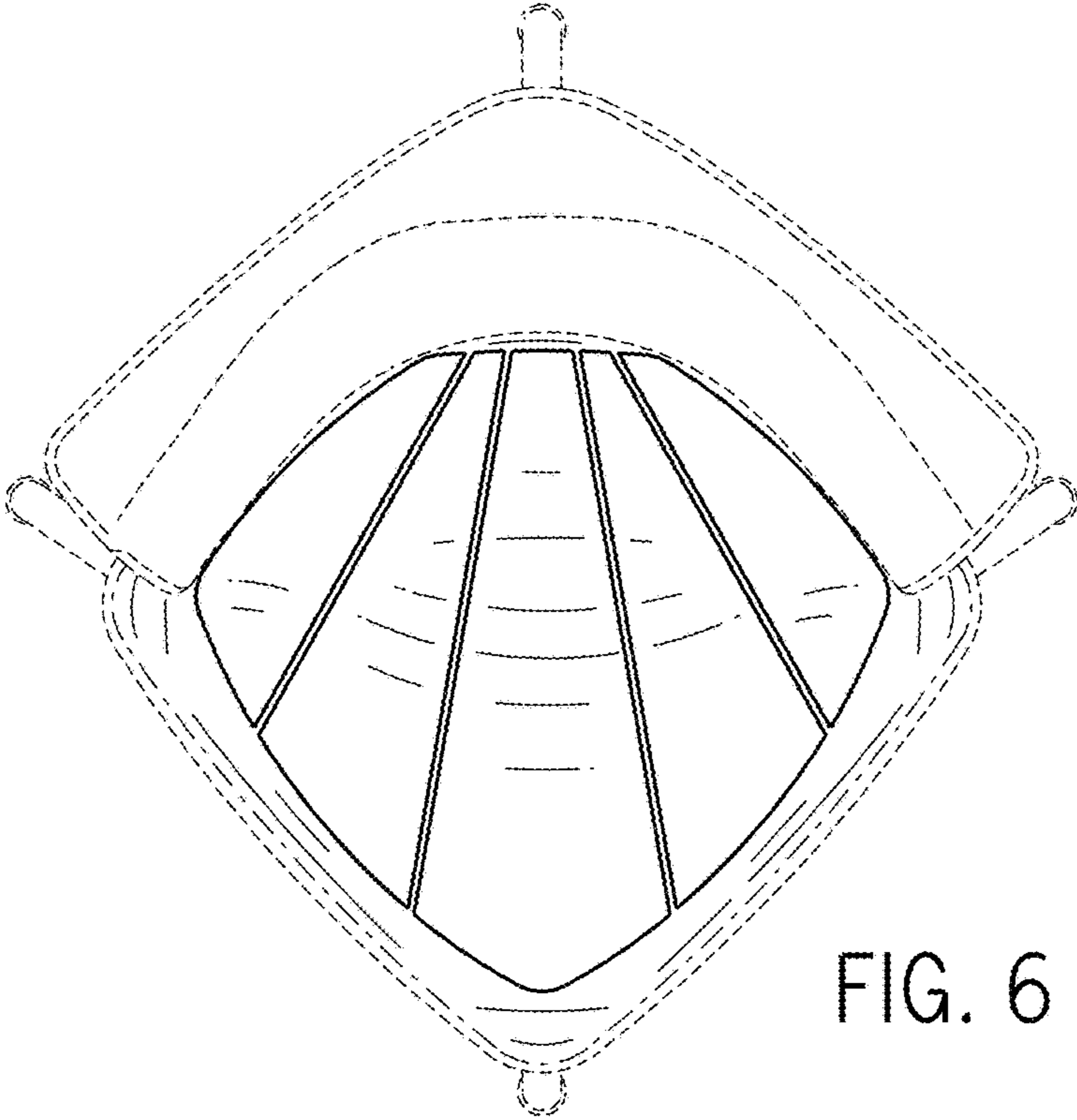


FIG. 6

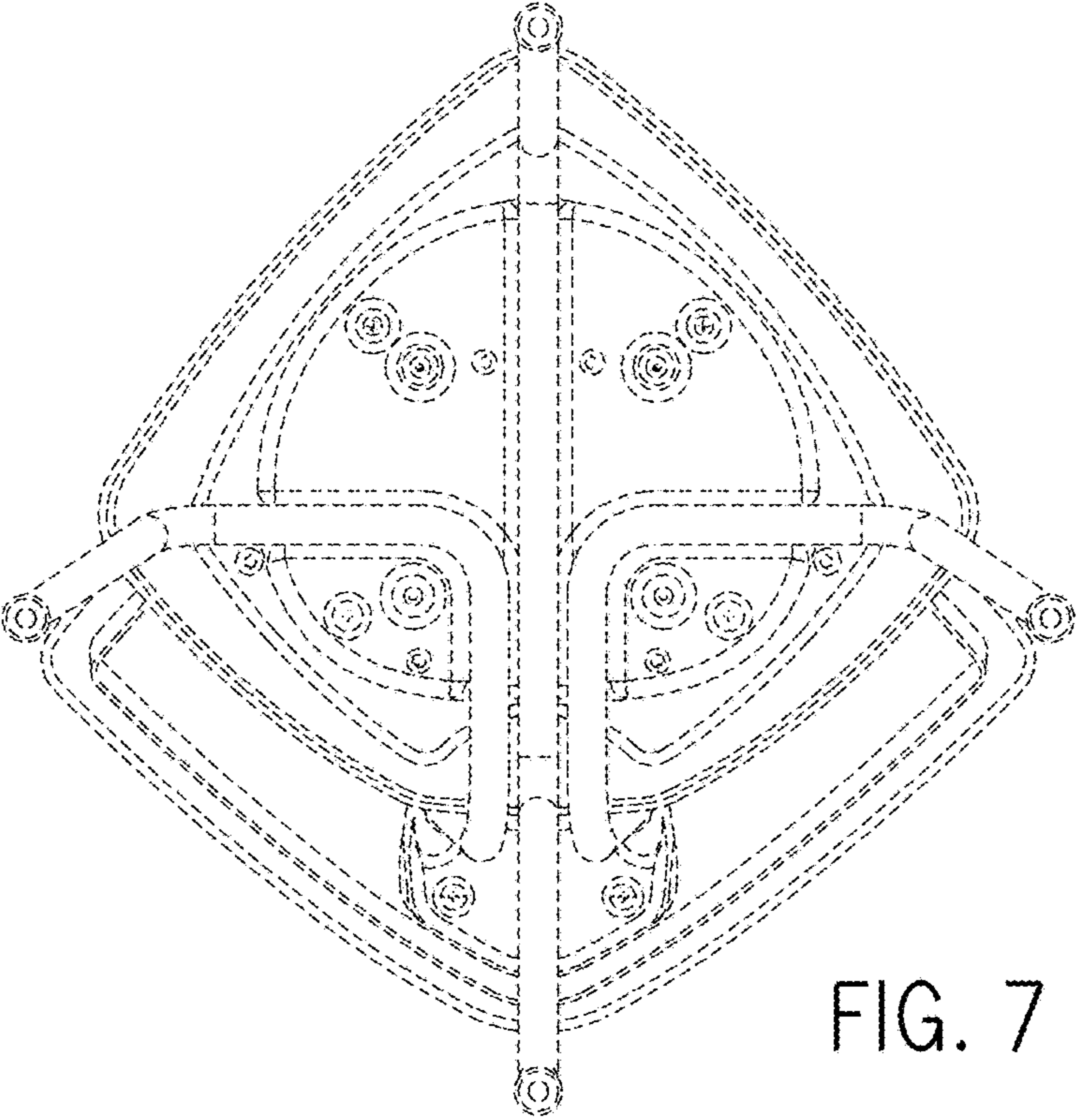


FIG. 7

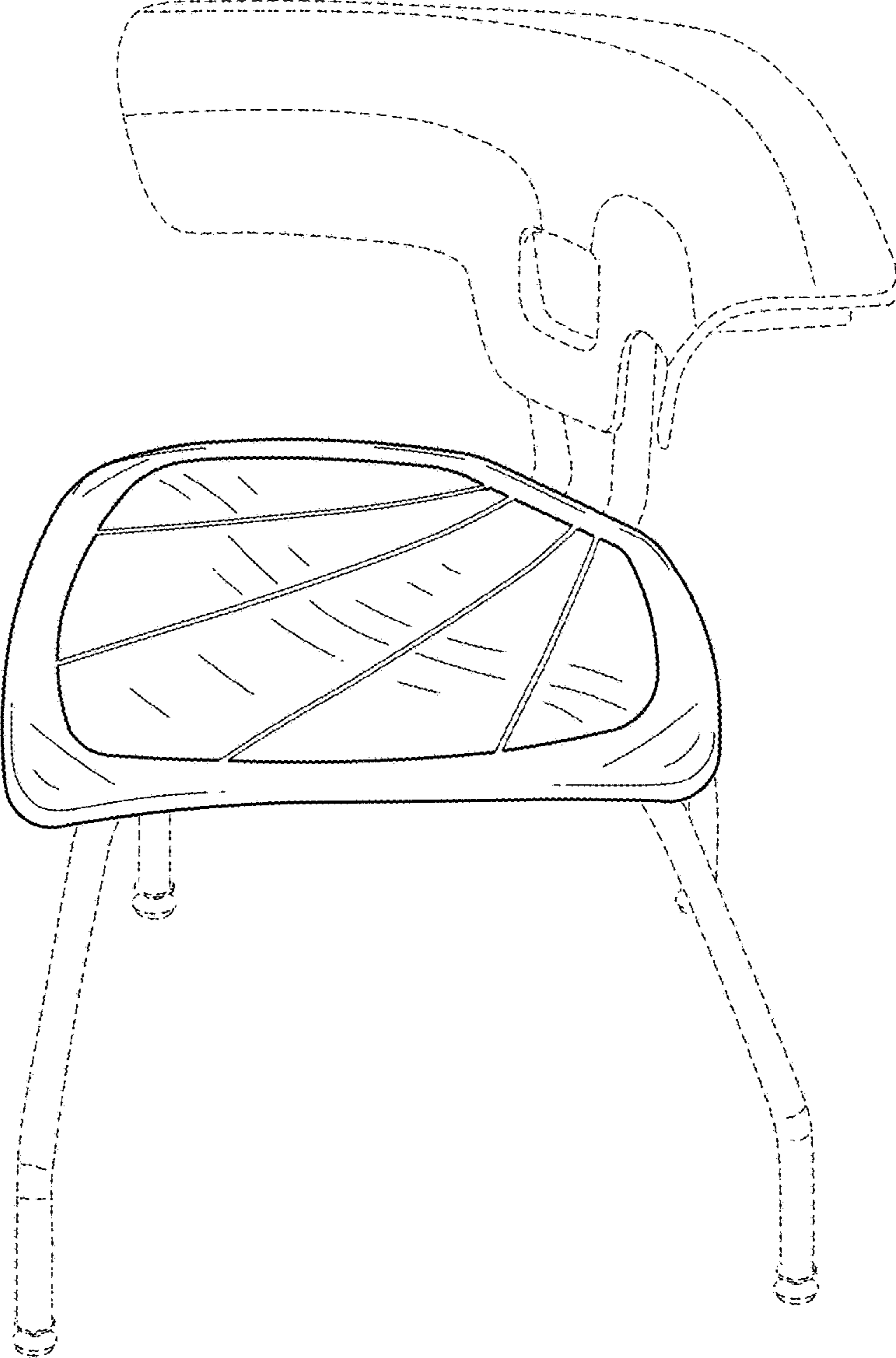


FIG. 8

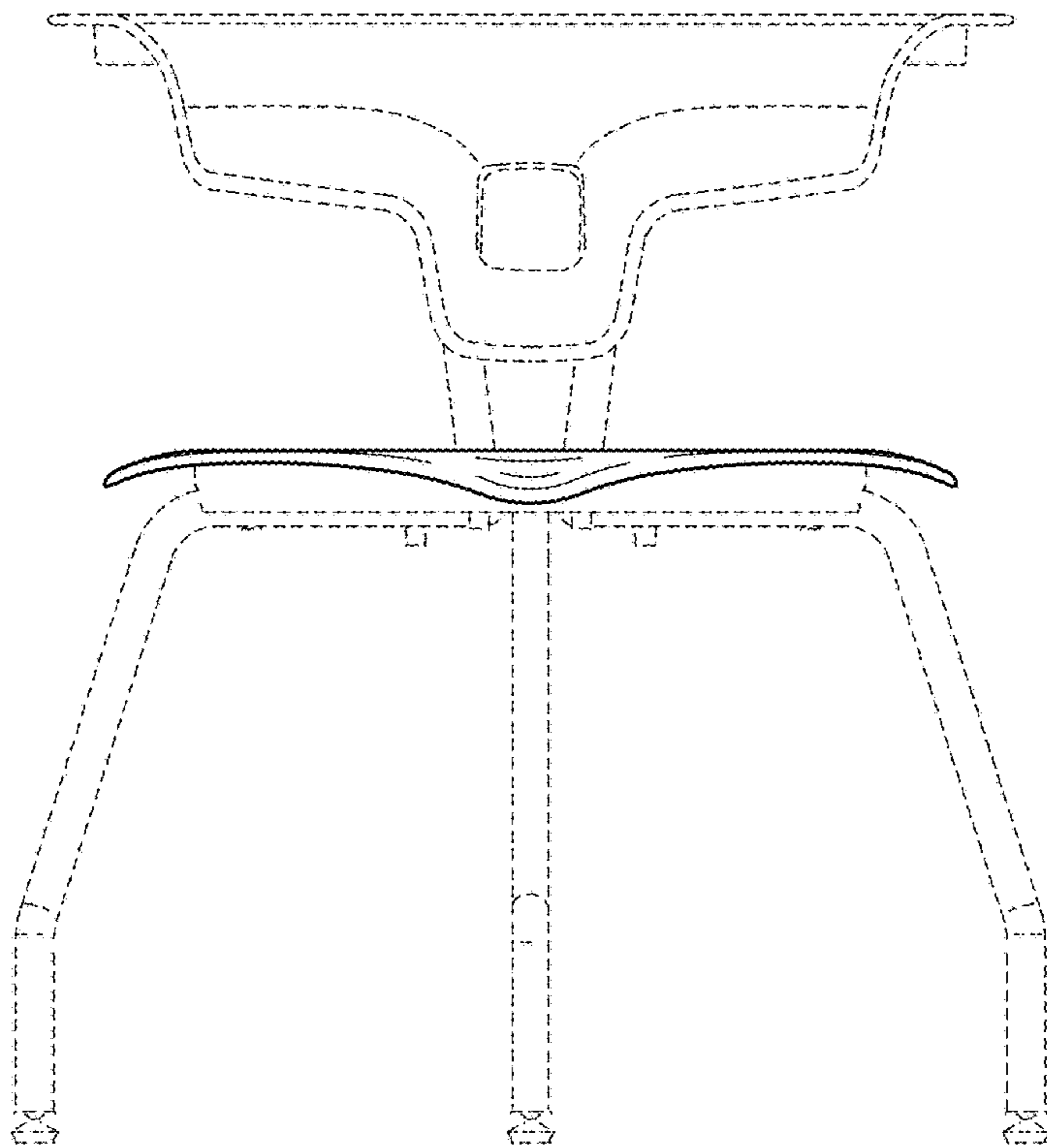


FIG. 9

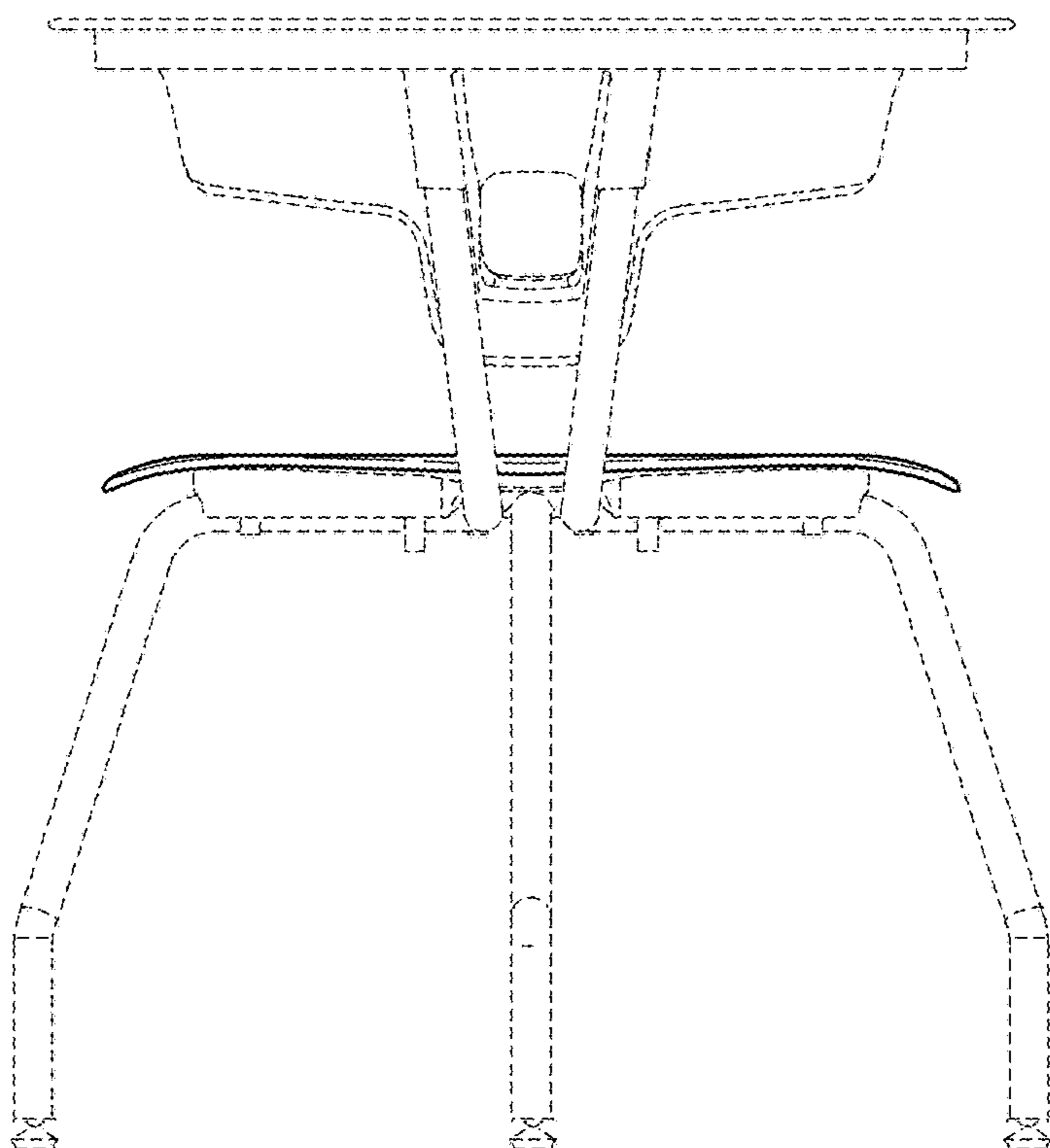


FIG. 10

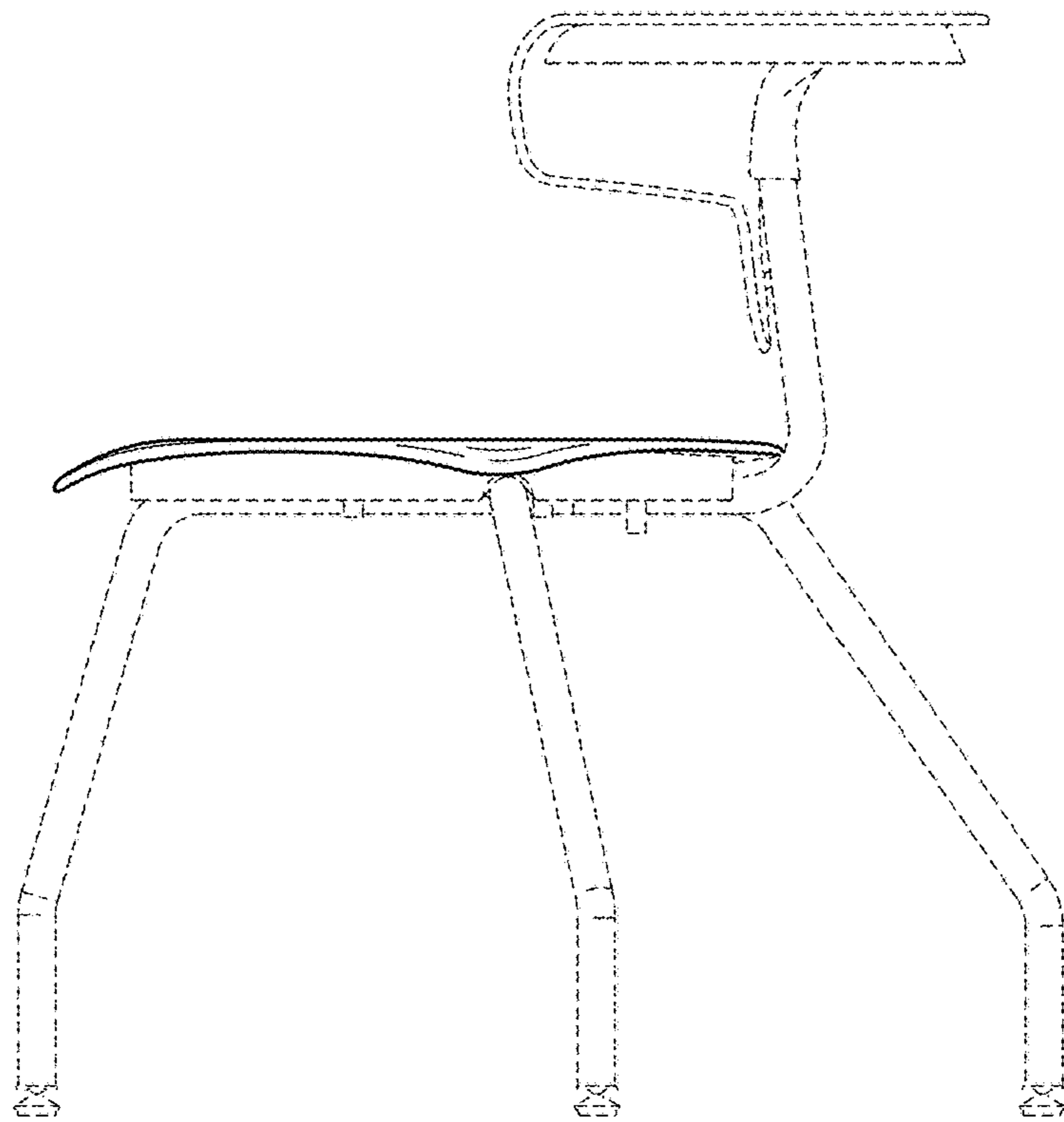


FIG. 11

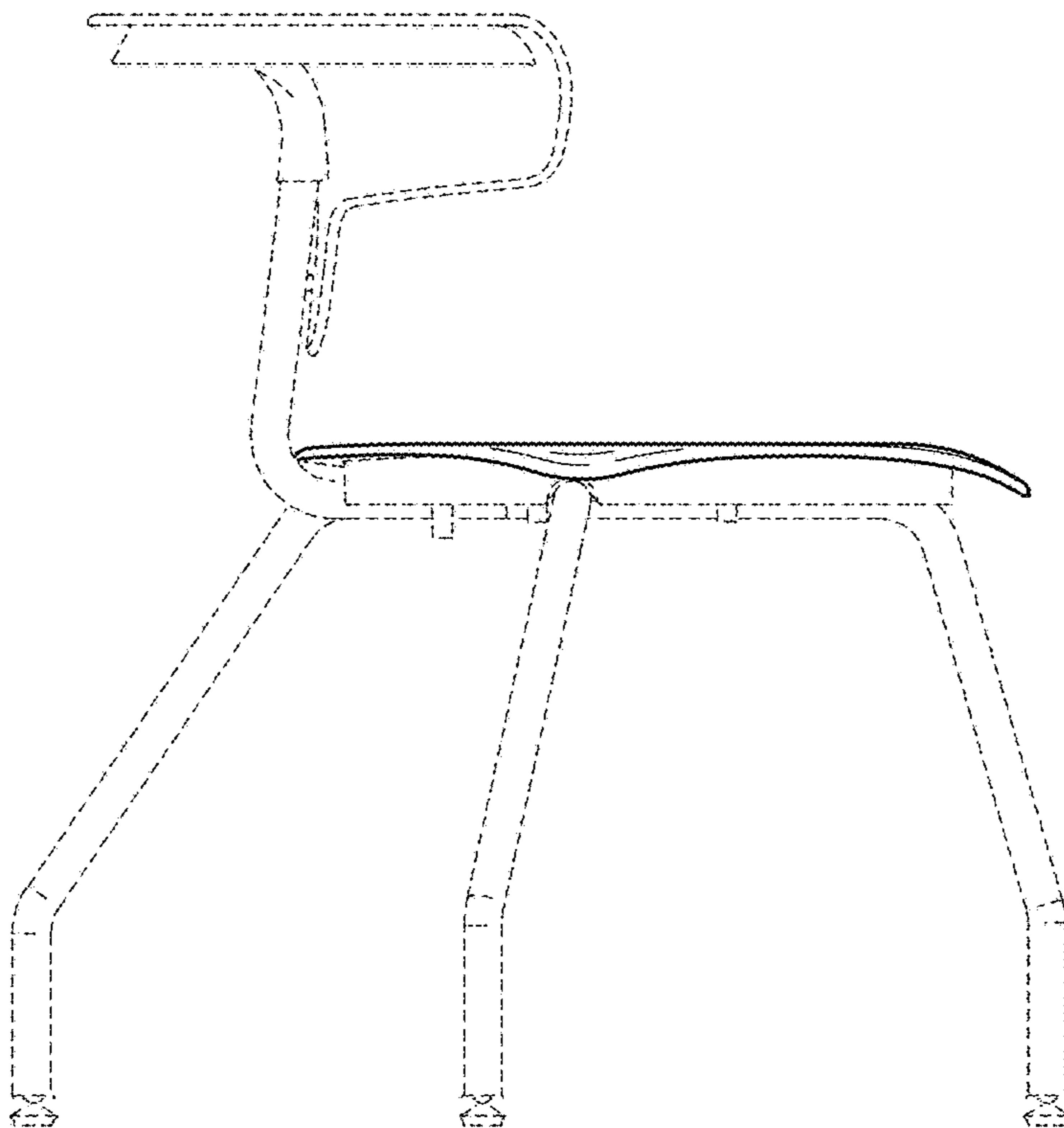


FIG. 12

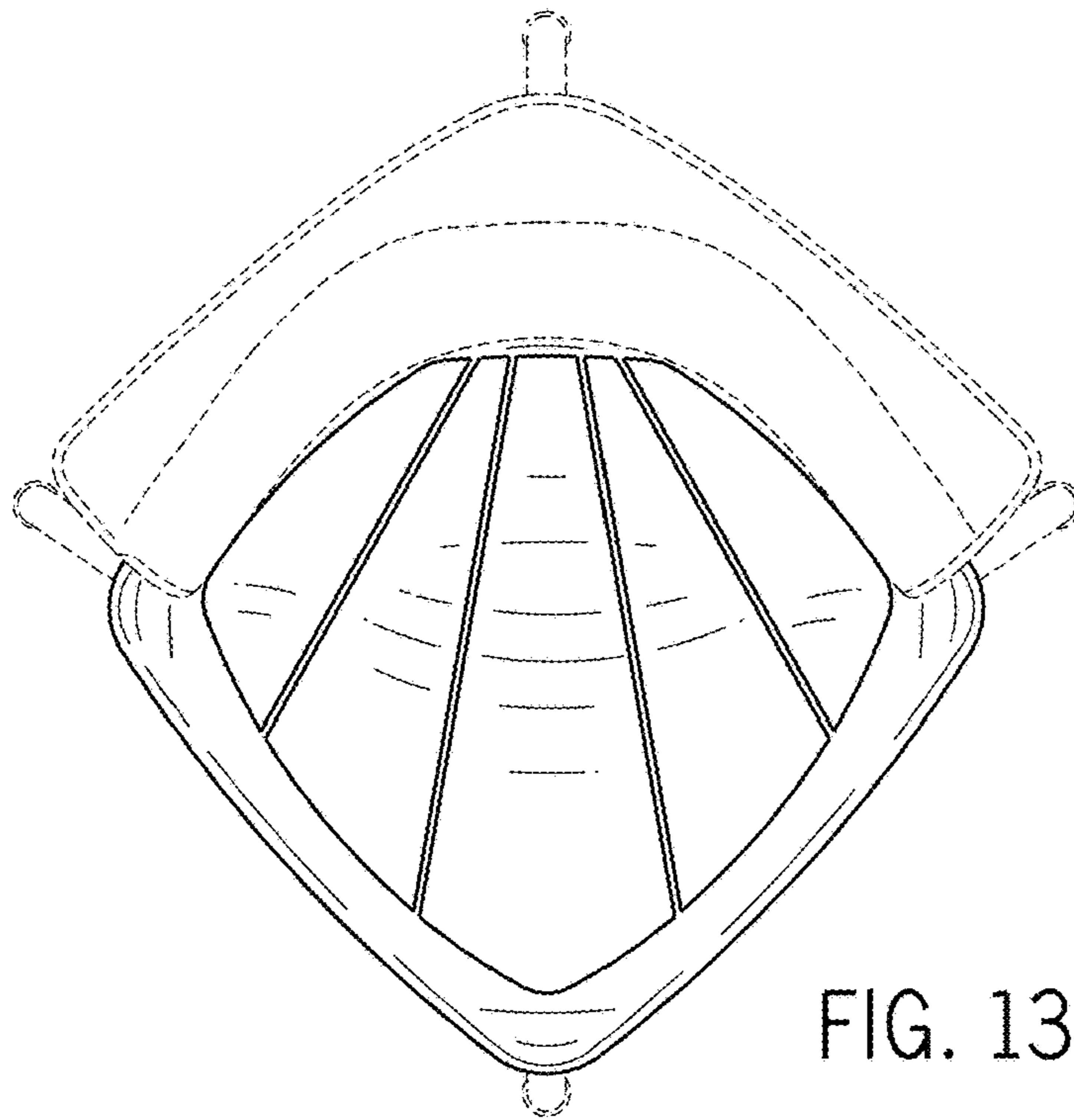


FIG. 13

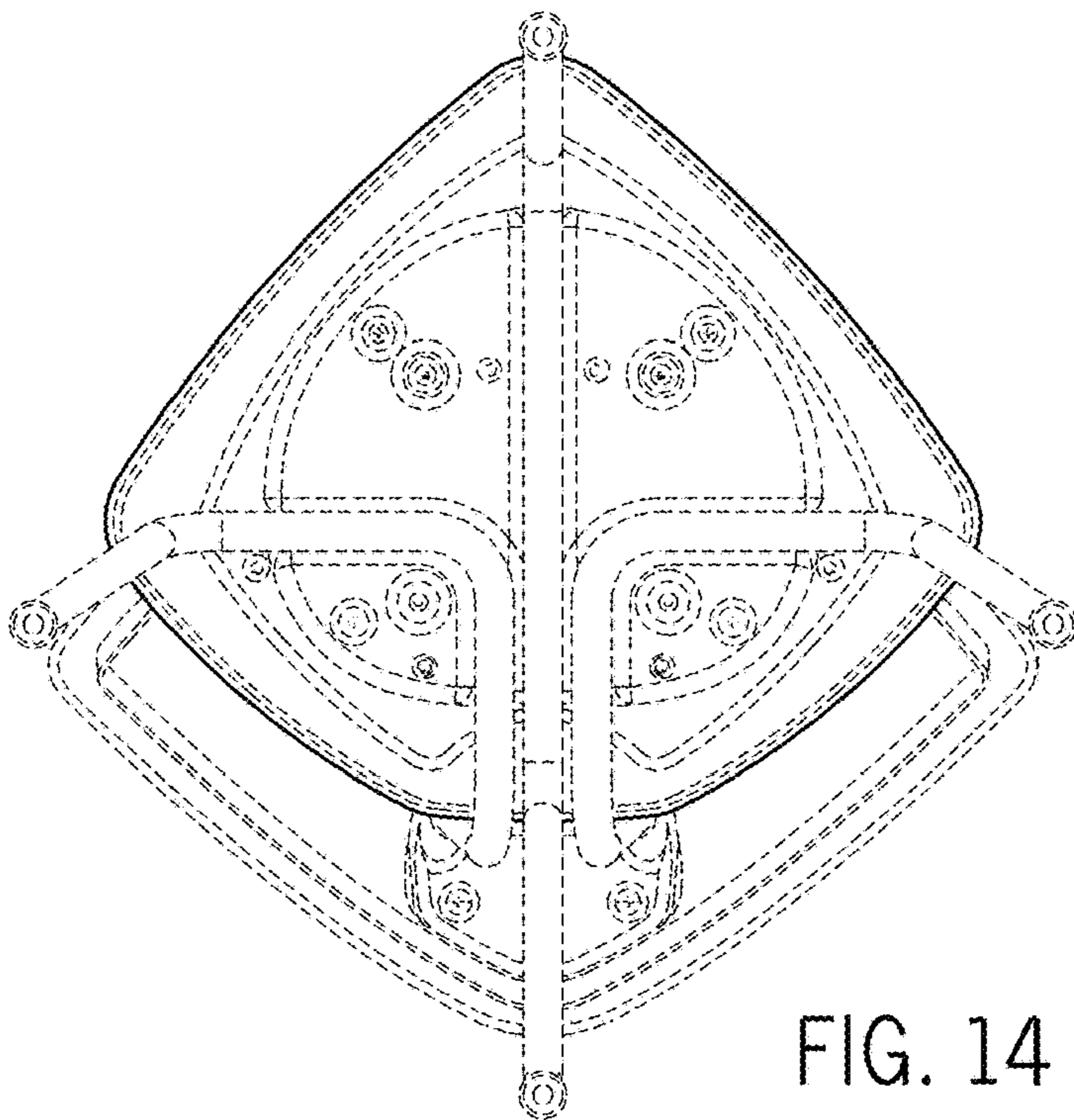


FIG. 14