



US00D839650S

(12) **United States Design Patent**  
**Winter et al.**

(10) **Patent No.:** **US D839,650 S**  
(45) **Date of Patent:** **\*\* Feb. 5, 2019**

(54) **CHAIR**

(71) Applicant: **Lifetime Products, Inc.**, Clearfield, UT (US)

(72) Inventors: **Preston Winter**, Layton, UT (US);  
**Josh Clark**, Clearfield, UT (US);  
**Matthew Anderson**, Clearfield, UT (US)

(73) Assignee: **Lifetime Products, Inc.**, Clearfield, UT (US)

(\*\*) Term: **15 Years**

(21) Appl. No.: **29/601,877**

(22) Filed: **Apr. 26, 2017**

(51) **LOC (11) Cl.** ..... **06-01**

(52) **U.S. Cl.**  
USPC ..... **D6/716; D6/368**

(58) **Field of Classification Search**

USPC ..... D6/334-336, 368, 373, 374, 376, 379,  
D6/380, 716, 716.1, 716.2, 716.3, 716.4  
CPC .. A47C 3/04; A47C 3/045; A47C 4/00; A47C  
4/03; A47C 4/04; A47C 4/08; A47C 4/14;  
A47C 4/18; A47C 4/20; A47C 4/24;  
A47C 5/04; A47C 5/043

See application file for complete search history.

(56) **References Cited**

**U.S. PATENT DOCUMENTS**

3,736,022	A	3/1973	Radke	
3,987,507	A	10/1976	Hall	
5,106,161	A	4/1992	Meiller	
5,499,413	A	3/1996	Van Hekken	
D443,429	S	* 6/2001	Mower	D6/368
D466,712	S	12/2002	Haney et al.	
D472,064	S	3/2003	Haney et al.	
D472,723	S	4/2003	Haney et al.	
D472,745	S	4/2003	Haney et al.	

D473,059	S	4/2003	Haney et al.
6,543,842	B2	4/2003	Haney
D477,926	S	8/2003	Haney et al.
D477,939	S	8/2003	Haney et al.
D481,550	S	11/2003	Astle
D482,540	S	11/2003	Ashby
D482,543	S	11/2003	Haney et al.
D489,192	S	5/2004	Jin et al.
D498,071	S	11/2004	Ashby et al.

(Continued)

**OTHER PUBLICATIONS**

U.S. Appl. No. 62/319,184, filed Apr. 6, 2016, Phillips.

(Continued)

*Primary Examiner* — Mimosa De

(74) *Attorney, Agent, or Firm* — Maschoff Brennan

(57) **CLAIM**

The ornamental design for a chair, as shown and described.

**DESCRIPTION**

FIG. 1 is an upper perspective view of an embodiment of a chair;

FIG. 2 is an enlarged view of a portion of the chair of FIG. 1;

FIG. 3 is an enlarged view of a portion of the chair of FIG. 1;

FIG. 4 is a front view of the chair;

FIG. 5 is an enlarged view of a portion of the chair of FIG. 4;

FIG. 6 is a rear view of the chair;

FIG. 7 is a left side view of the chair;

FIG. 8 is a right side view of the chair;

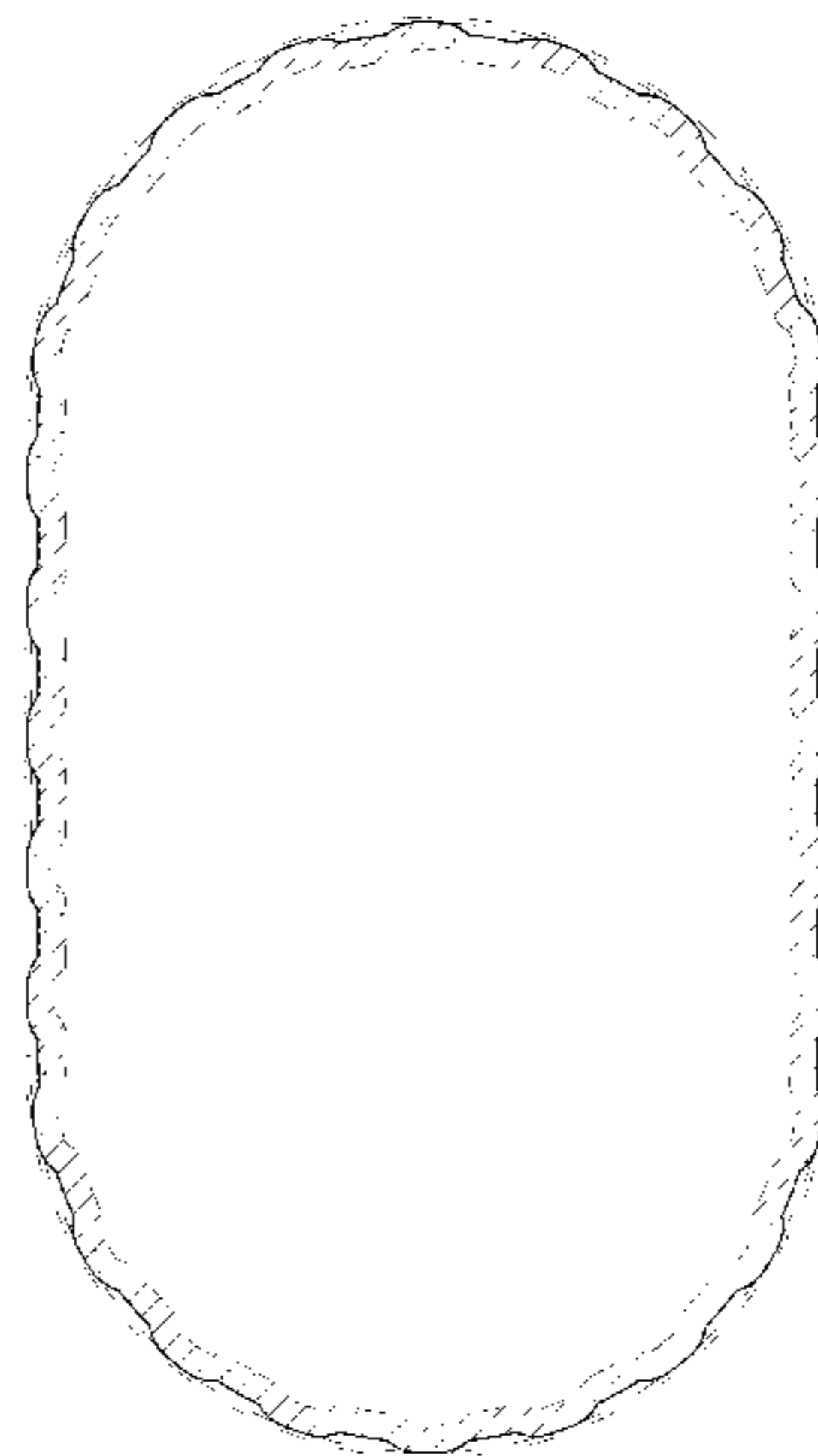
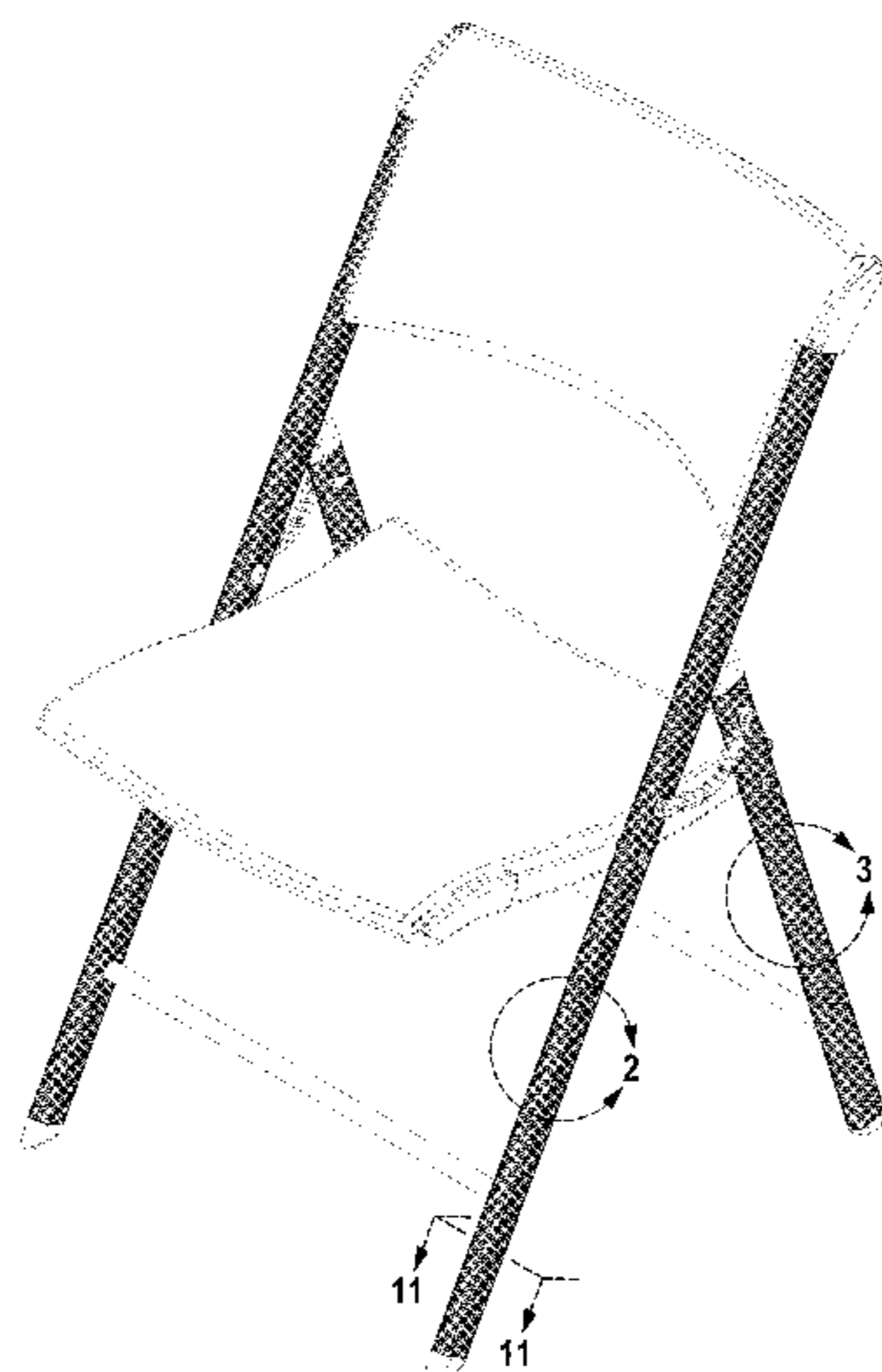
FIG. 9 is a top view of the chair;

FIG. 10 is a bottom view of the chair; and,

FIG. 11 is a sectional view of a portion of the chair.

The broken lines shown in the figures are for illustrative purposes only and form no part of the claimed design.

**1 Claim, 11 Drawing Sheets**



(56)

**References Cited**

U.S. PATENT DOCUMENTS

6,871,906 B2 3/2005 Haney  
 D504,254 S \* 4/2005 Yang ..... D6/716  
 D507,425 S 7/2005 Ashby et al.  
 D508,339 S 8/2005 Astle  
 6,974,188 B2 \* 12/2005 Turner ..... A47C 4/04  
 297/270.2  
 7,014,261 B2 3/2006 Haney  
 7,017,986 B2 3/2006 Degen et al.  
 D519,292 S 4/2006 Ashby  
 D523,254 S 6/2006 Nye et al.  
 7,108,330 B2 9/2006 Mizelle et al.  
 D544,225 S \* 6/2007 Cantarutti ..... D6/368  
 7,452,035 B2 11/2008 Astle et al.  
 D599,127 S \* 9/2009 Smith ..... D6/368  
 D647,718 S \* 11/2011 Chen ..... D6/368  
 D655,932 S \* 3/2012 Ashby ..... D6/368  
 D667,649 S \* 9/2012 Waite ..... A47C 4/20  
 D6/368

D686,007 S \* 7/2013 Johnson ..... D6/368  
 8,721,003 B2 5/2014 Waite et al.  
 D710,623 S 8/2014 Peery et al.  
 D721,528 S \* 1/2015 Peery ..... D6/368  
 D793,113 S \* 8/2017 Lin ..... D6/368  
 D794,372 S \* 8/2017 Lin ..... D6/716  
 D802,954 S \* 11/2017 Lin ..... D6/368  
 2012/0175918 A1 7/2012 Southwick et al.  
 2013/0009427 A1 1/2013 Johnson et al.  
 2014/0145480 A1 5/2014 Johnson et al.

OTHER PUBLICATIONS

U.S. Appl. No. 14/598,812, filed Jan. 16, 2015, Winter et al.  
 U.S. Appl. No. 29/484,894, filed Mar. 13, 2014, Peery et al.  
 U.S. Appl. No. 14/089,461, filed Nov. 25, 2013, Johnson et al.  
 International Search Report and Written Opinion from PCT/US2016/  
 065907, dated Mar. 2, 2017.

\* cited by examiner

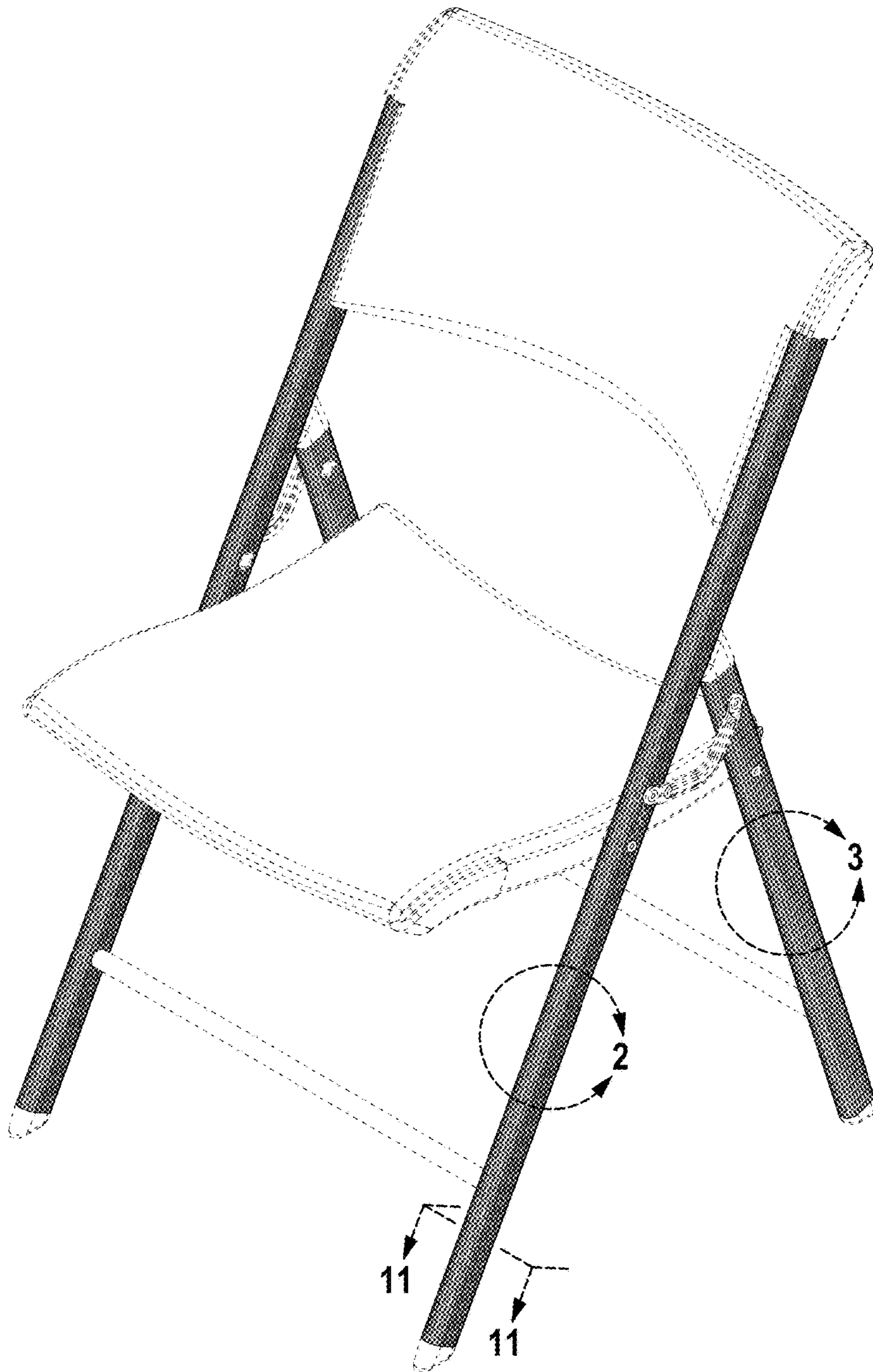


FIG. 1

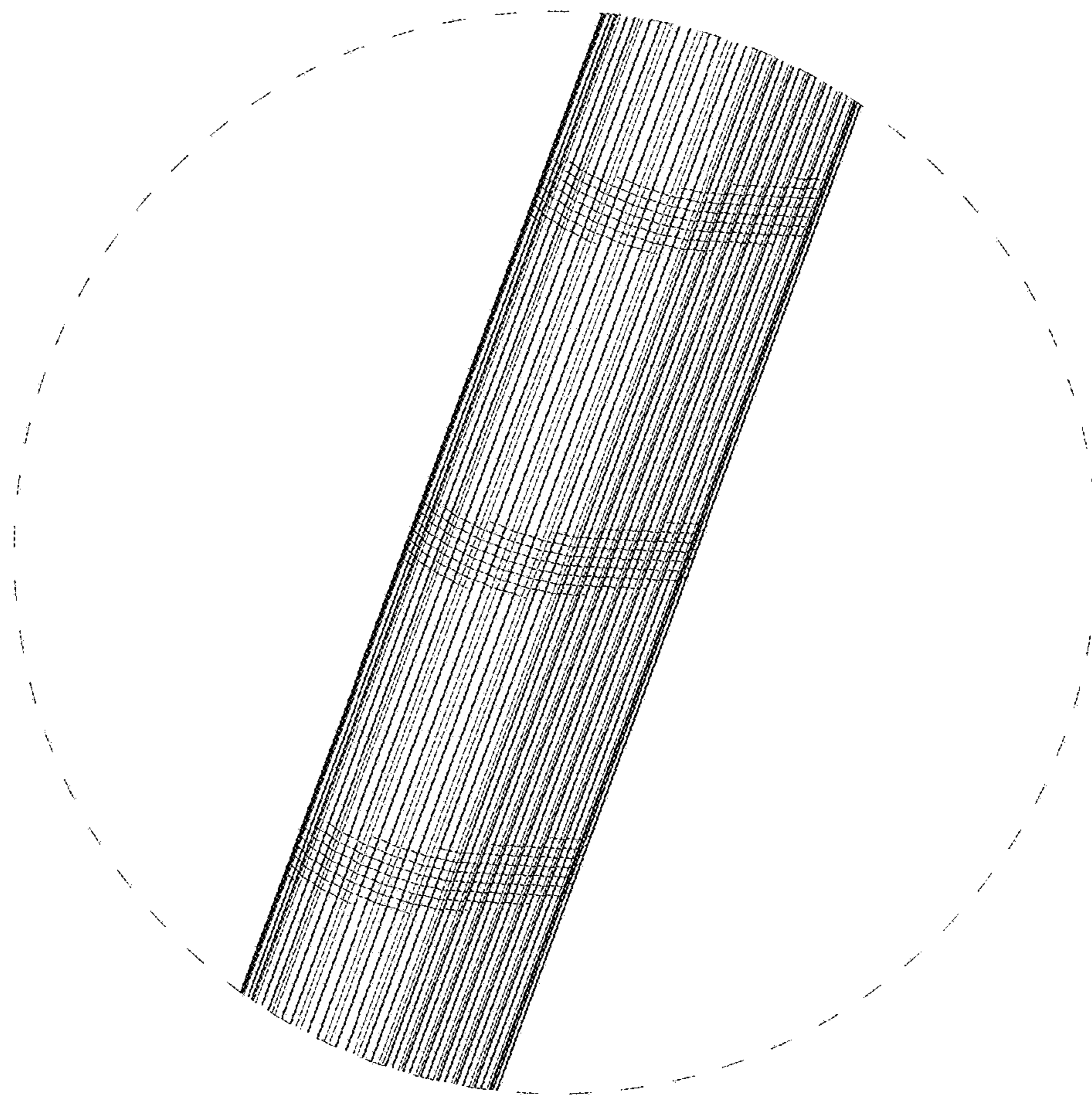
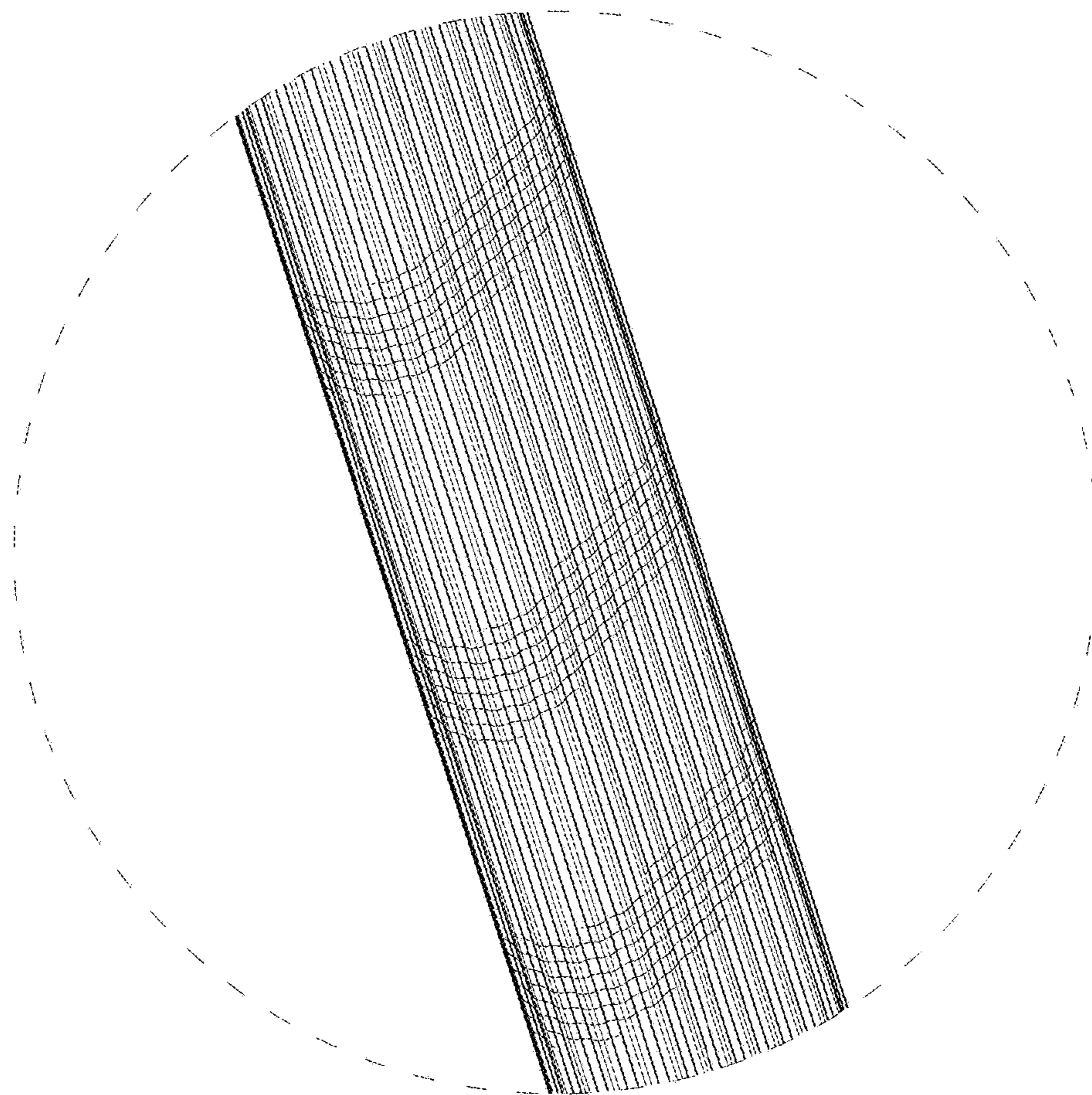


FIG. 2



**FIG. 3**

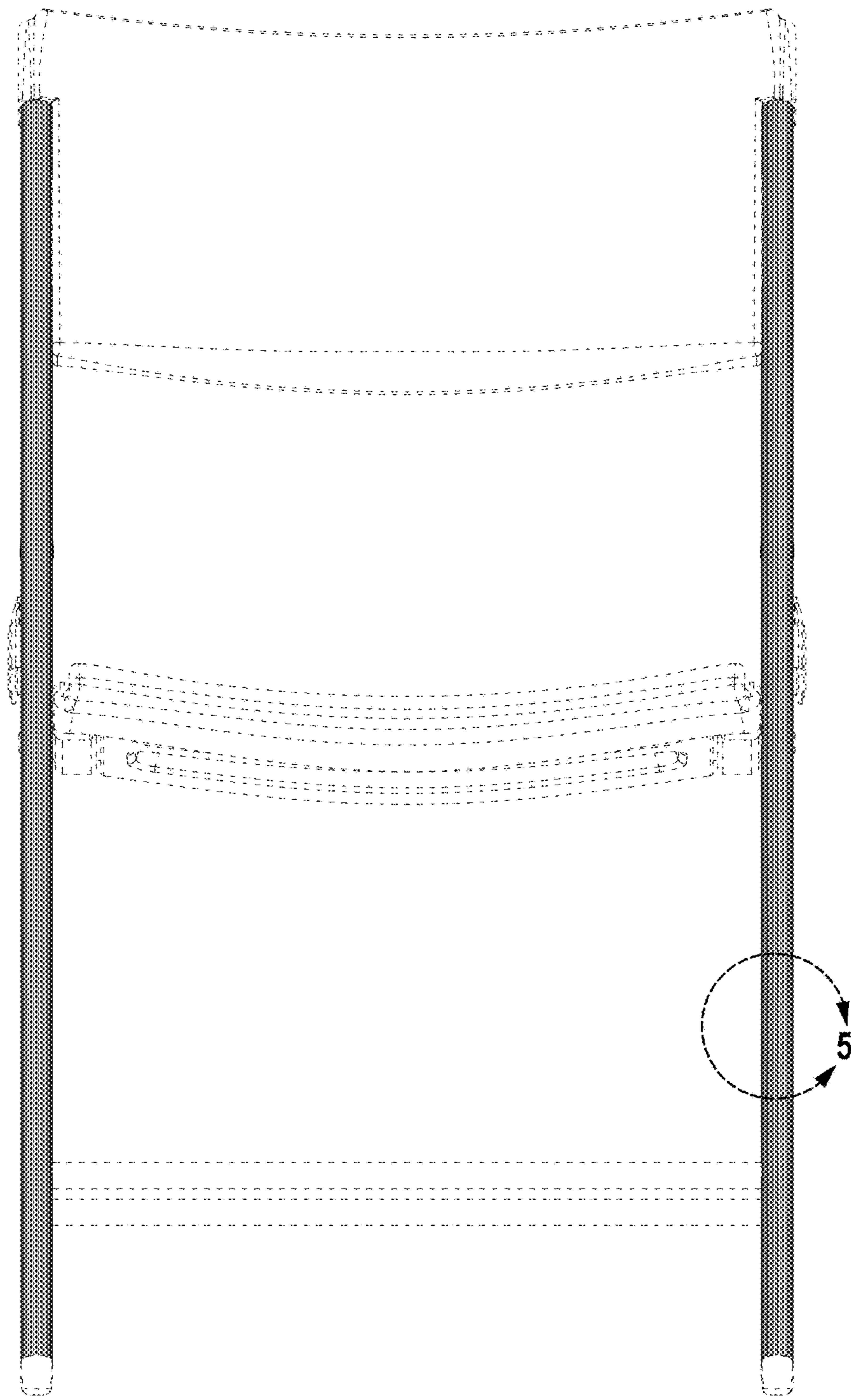
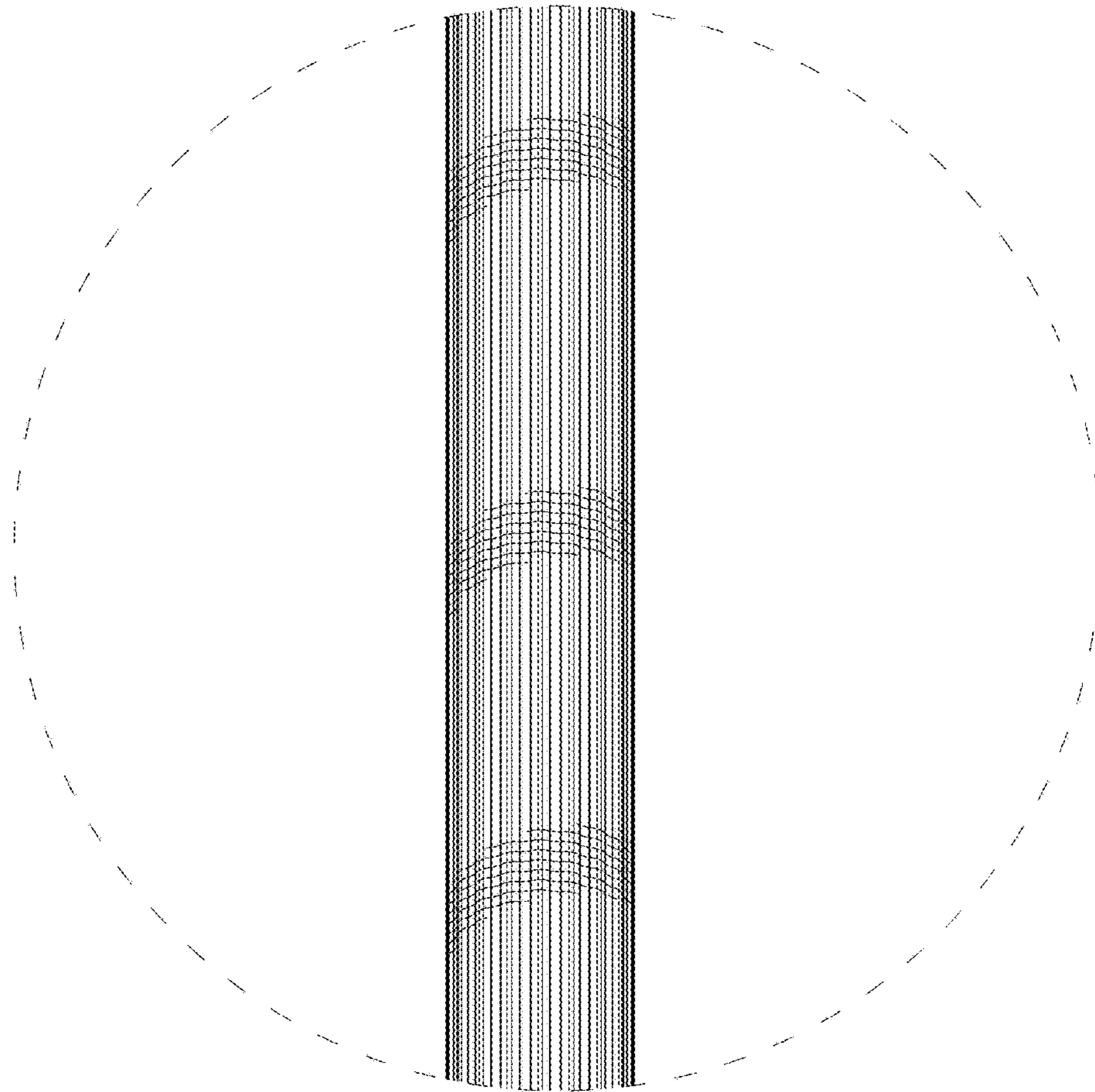


FIG. 4



**FIG. 5**

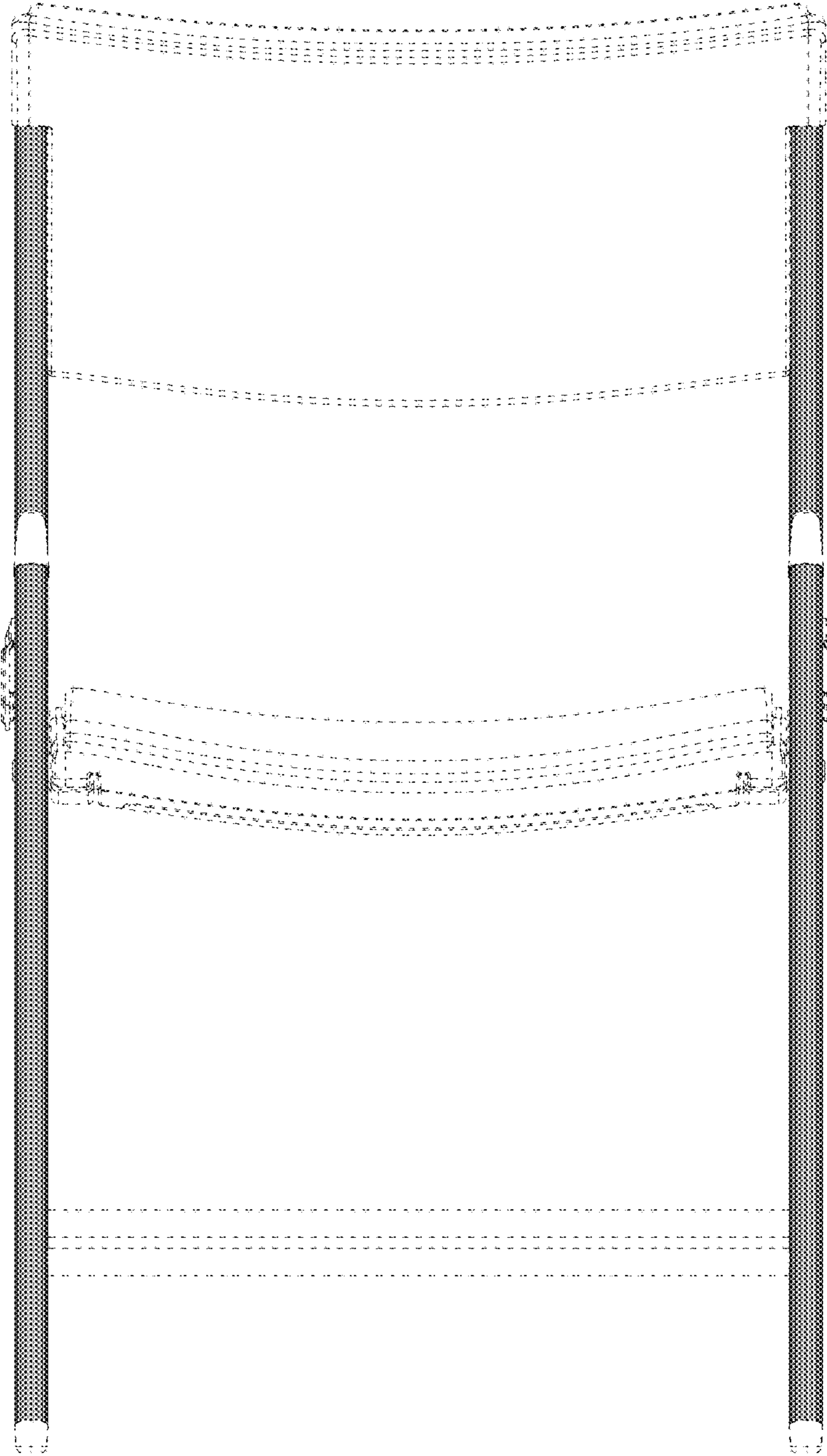


FIG. 6



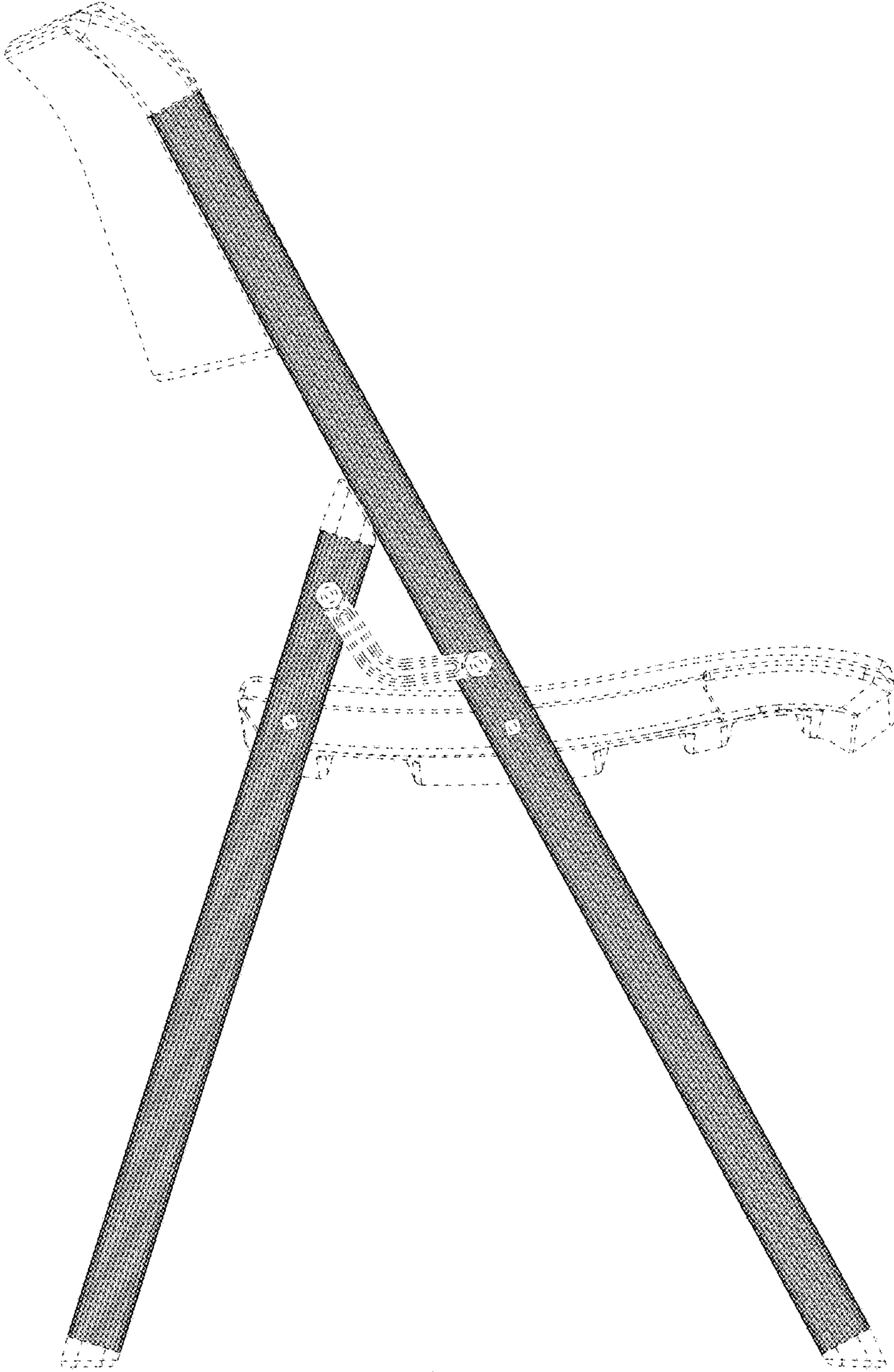


FIG. 7

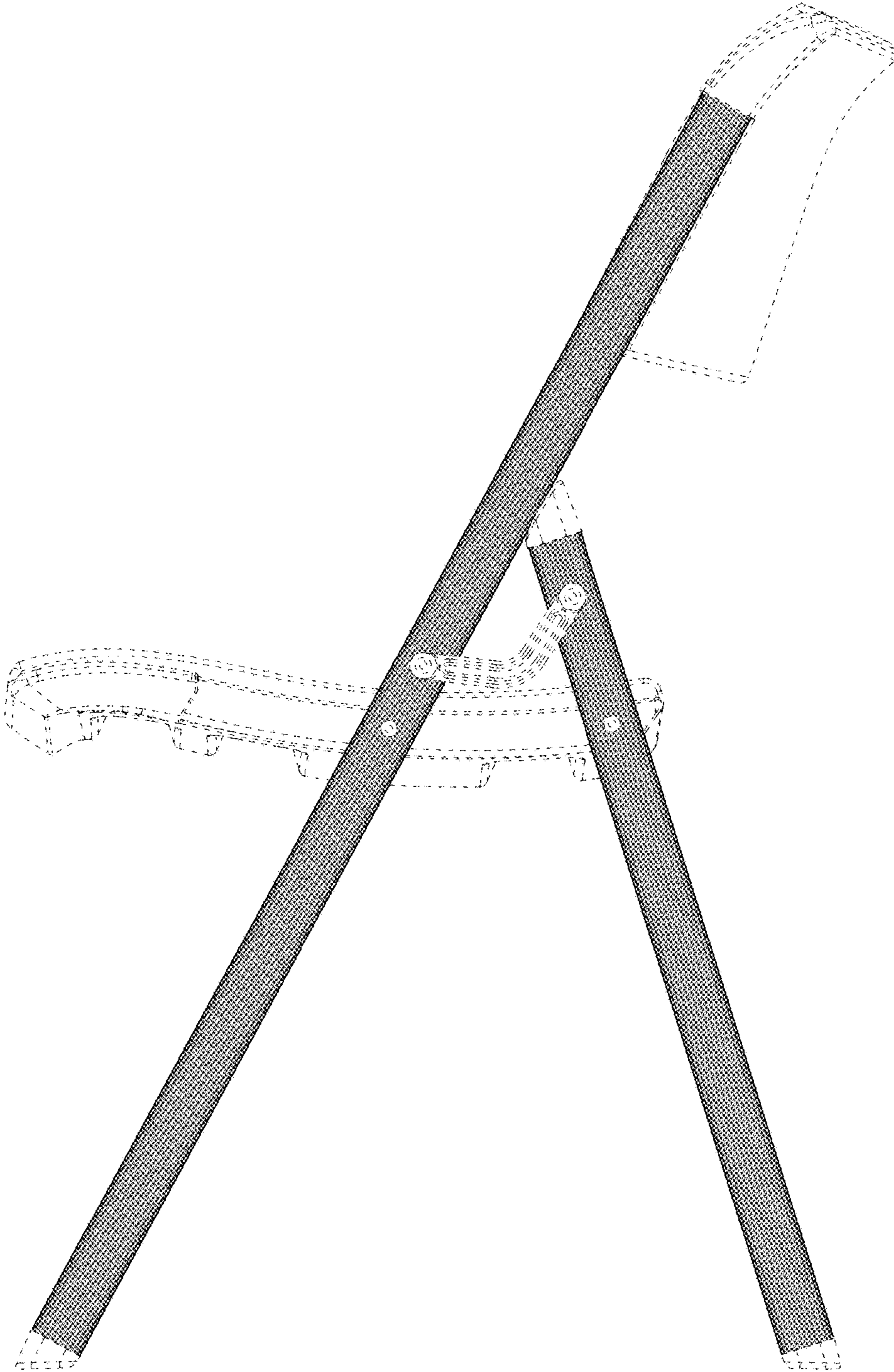


FIG. 8

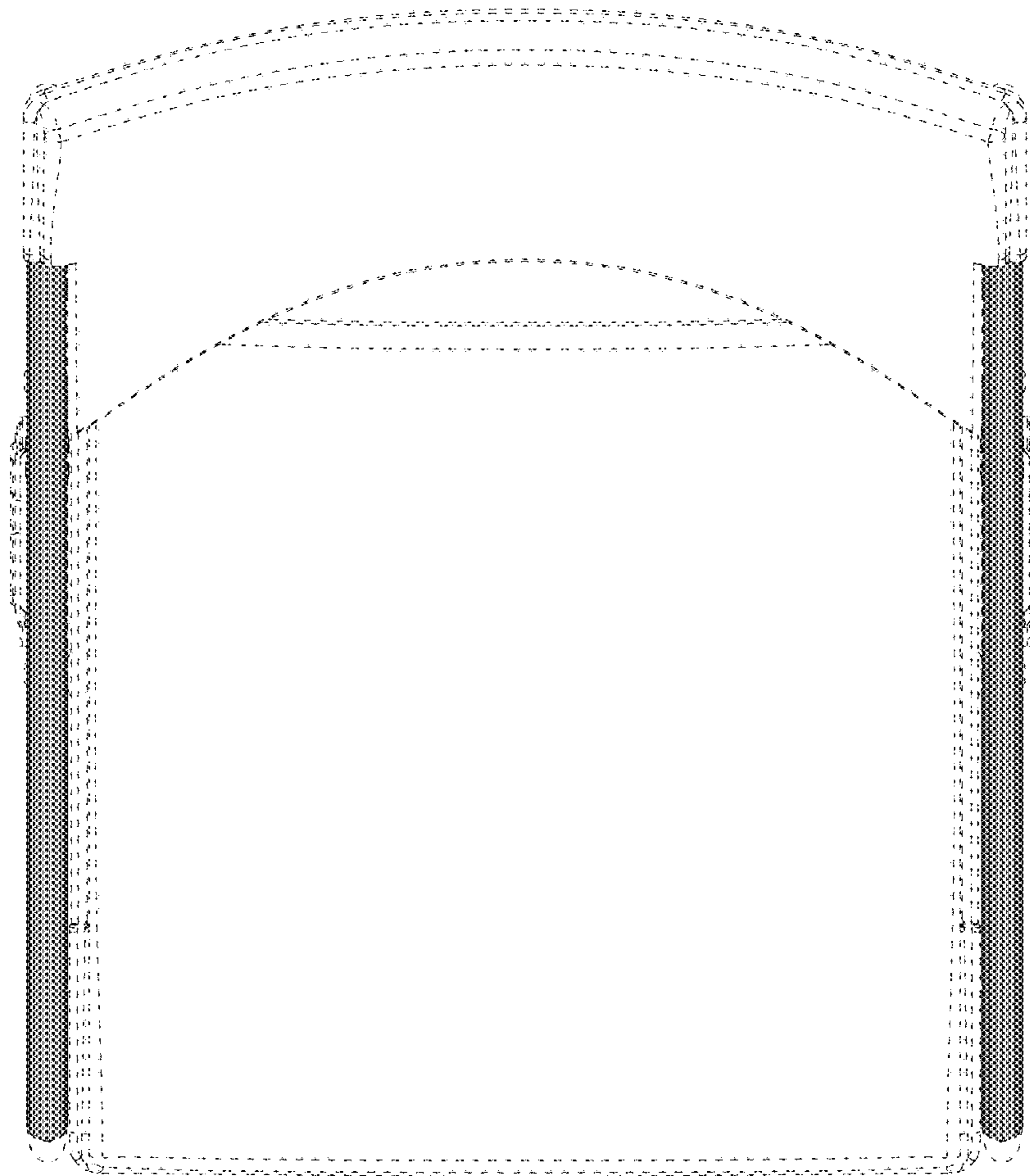


FIG. 9

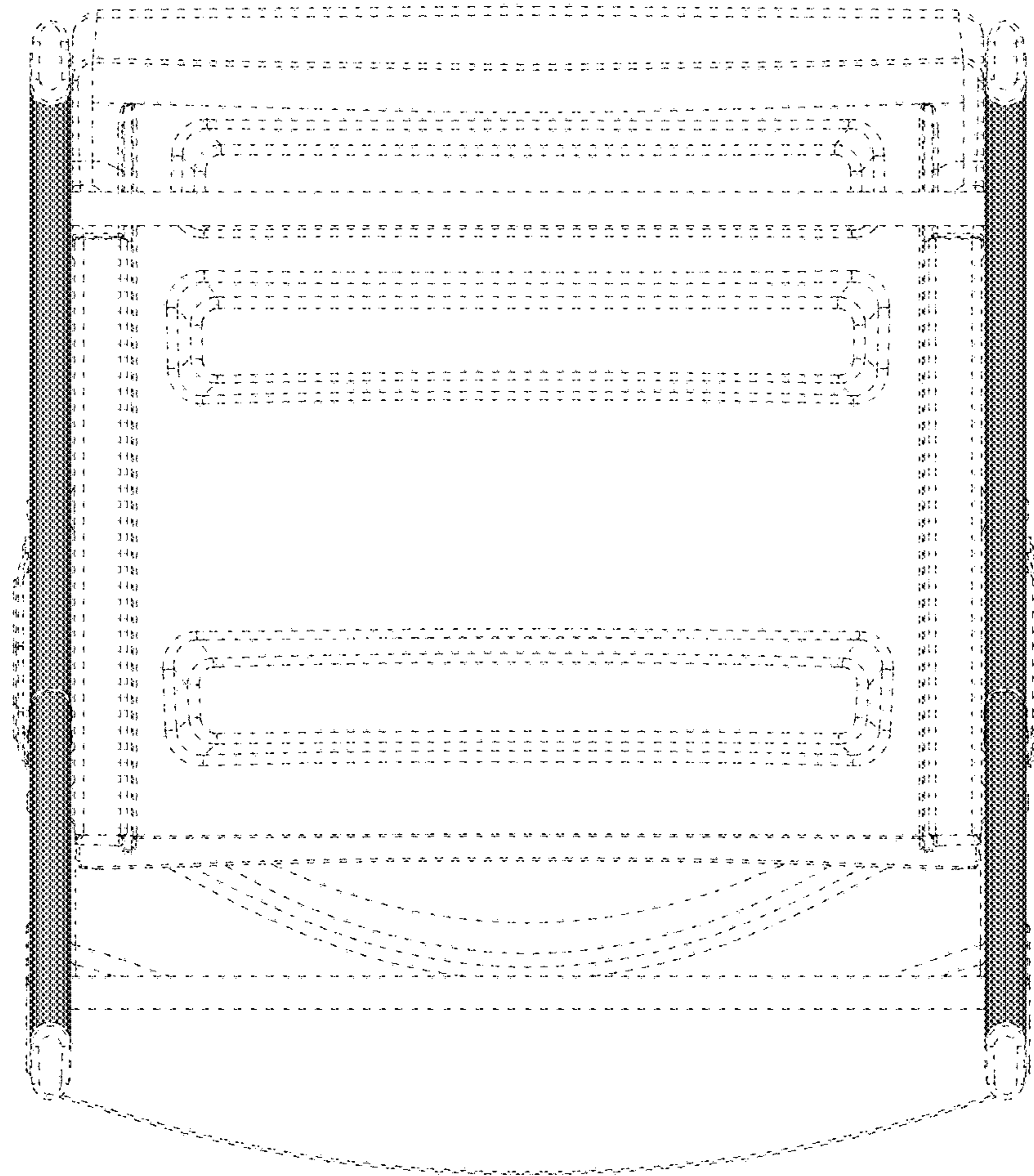


FIG. 10

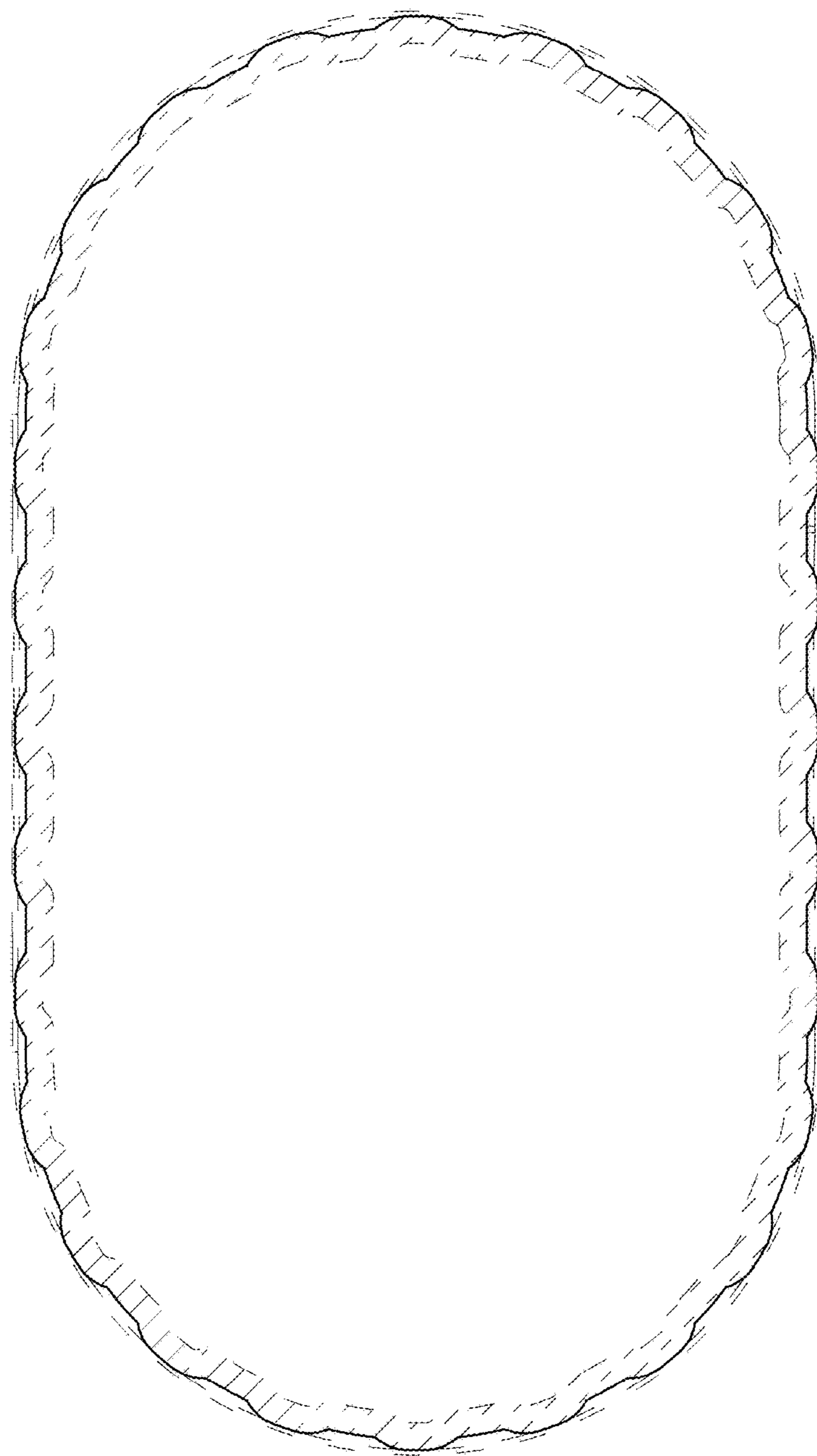


FIG. 11