



US00D839648S

(12) **United States Design Patent** (10) **Patent No.:** **US D839,648 S**
Légaré (45) **Date of Patent:** **** Feb. 5, 2019**

(54) **TABLE TOP**
(71) Applicant: **TABLES MODULAIRES POSITIONNELLES 2008 INC.,**
Drummondville (CA)
(72) Inventor: **Marc-Antoine Légaré,** Drummondville (CA)
(73) Assignee: **TABLES MODULAIRES POSITIONNELLES 2008 INC.,**
Drummondville (CA)

D280,368 S 9/1985 Crespi
D286,353 S 10/1986 Robolin
5,438,937 A 8/1995 Ball et al.
D548,493 S 8/2007 Diekman
D569,142 S 5/2008 Burak
D728,981 S 5/2015 Legare
D736,021 S 8/2015 Legare
D745,797 S 12/2015 Legare
D745,798 S 12/2015 Legare
D770,207 S * 11/2016 Legare D6/707.15
D774,338 S * 12/2016 Legare D6/707.15
D786,595 S * 5/2017 Mingenbach D6/707.18
2006/0180055 A1 8/2006 Mulmed

(**) Term: **15 Years**

FOREIGN PATENT DOCUMENTS

(21) Appl. No.: **29/575,062**

CA 157609 9/2014

(22) Filed: **Aug. 22, 2016**

OTHER PUBLICATIONS

Related U.S. Application Data

Tables Modulaires Positionnelles Inc., 2013 Catalogue, pp. 1, 2, 4, 6, 14 and 15, 1990 models.

(62) Division of application No. 29/499,665, filed on Aug. 18, 2014, now Pat. No. Des. 774,338.

* cited by examiner

(51) **LOC (11) Cl.** **06-06**

Primary Examiner — Mary Ann Calabrese

(52) **U.S. Cl.**
USPC **D6/707**

(74) *Attorney, Agent, or Firm* — Gwendoline Bruneau

(58) **Field of Classification Search**
USPC D6/641, 644, 647, 685, 688.11, 696,
D6/696.1–696.7, 697, 707, 707.1, 707.14,
D6/707.15, 707.22

(57) **CLAIM**

CPC .. A47B 5/00; A47B 7/00; A47B 13/00; A47B
13/08; A47B 13/081; A47B 13/088; A47B
13/10; A47B 13/12; A47B 21/00; A47B
2200/0001; A47B 2200/0066

The ornamental design for a table top, as shown and described.

See application file for complete search history.

DESCRIPTION

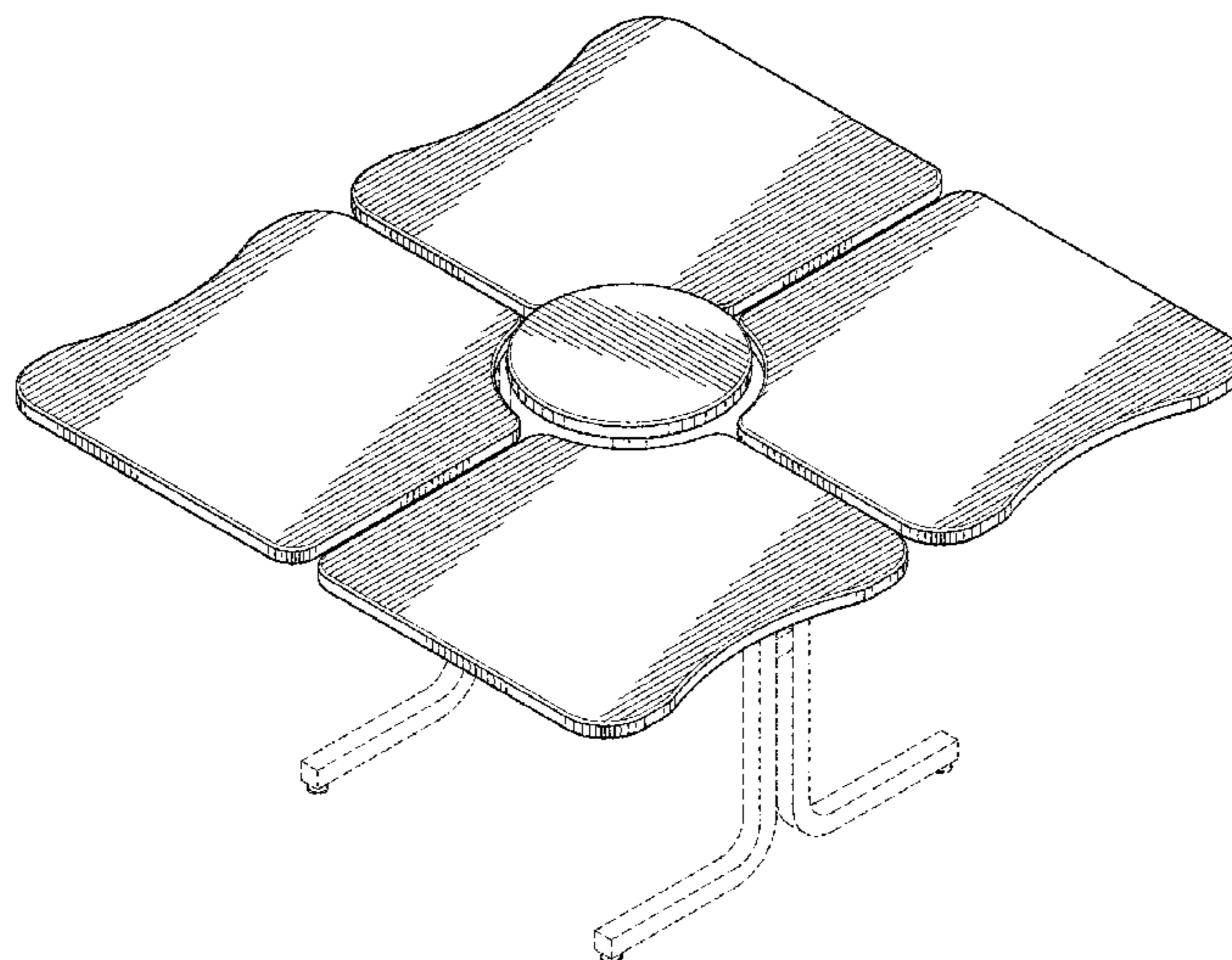
(56) **References Cited**

FIG. 1 is a perspective view of the table top;
FIG. 2 is a top view of the table top of FIG. 1;
FIG. 3 is a first side view of the table top of FIG. 1;
FIG. 4 is second side view of the table top of FIG. 1;
FIG. 5 is third side view of the table top of FIG. 1; and,
FIG. 6 is a bottom view of the table top of FIG. 1.
The broken lines represent environment and form no part of the claimed design.

U.S. PATENT DOCUMENTS

3,437,390 A 4/1969 Evans
D227,966 S 7/1973 Duern et al.

1 Claim, 5 Drawing Sheets



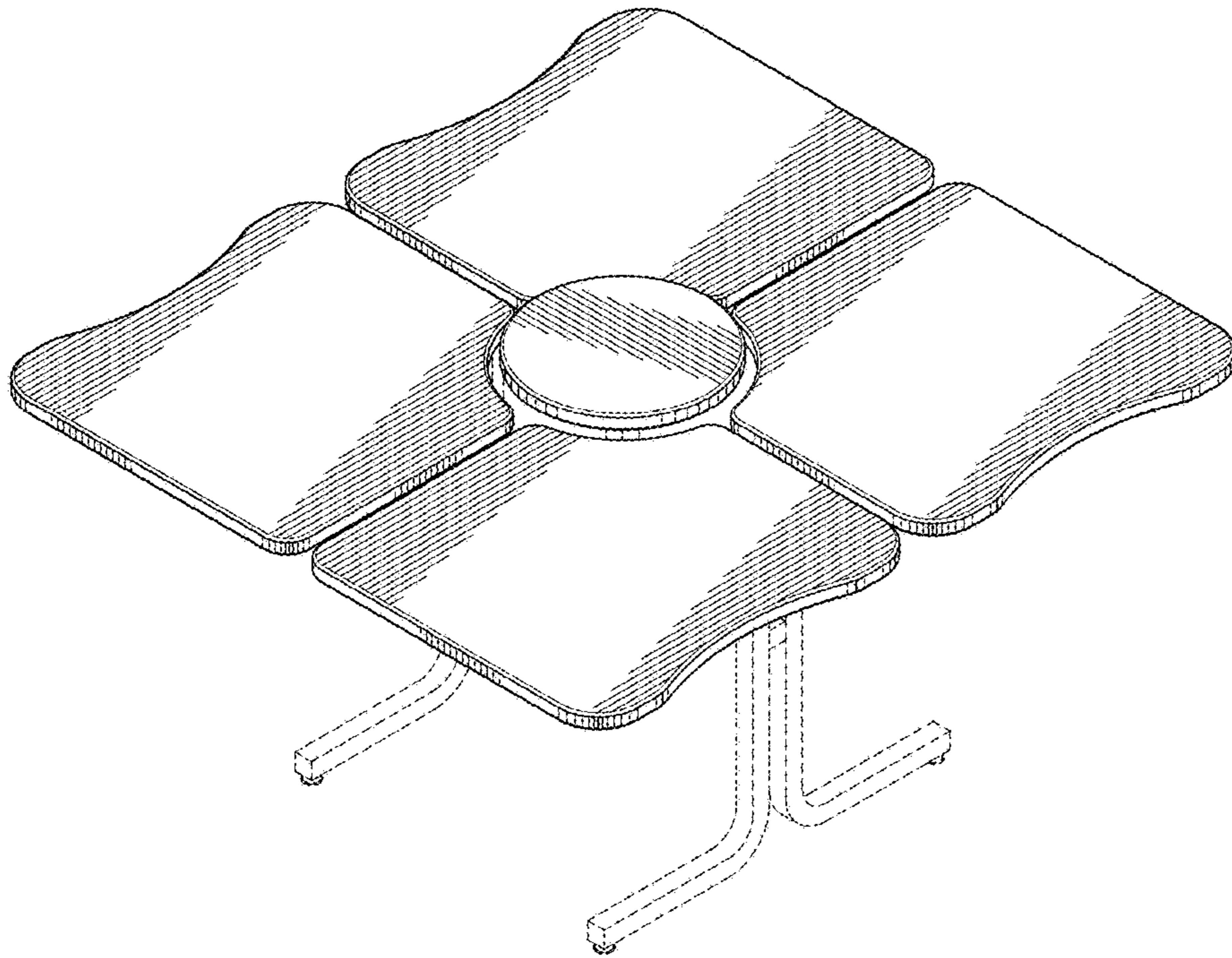


FIG. 1

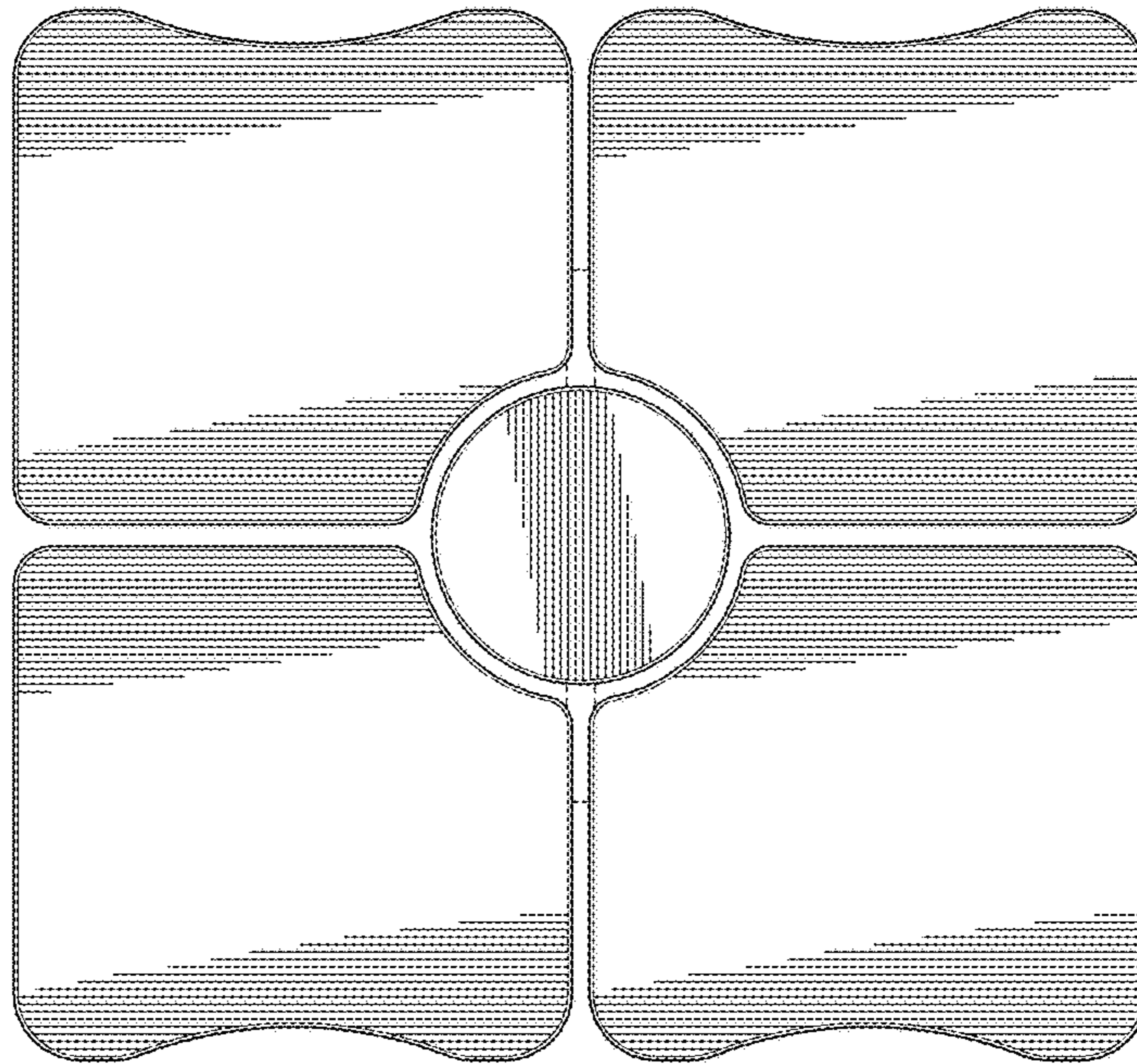


FIG. 2

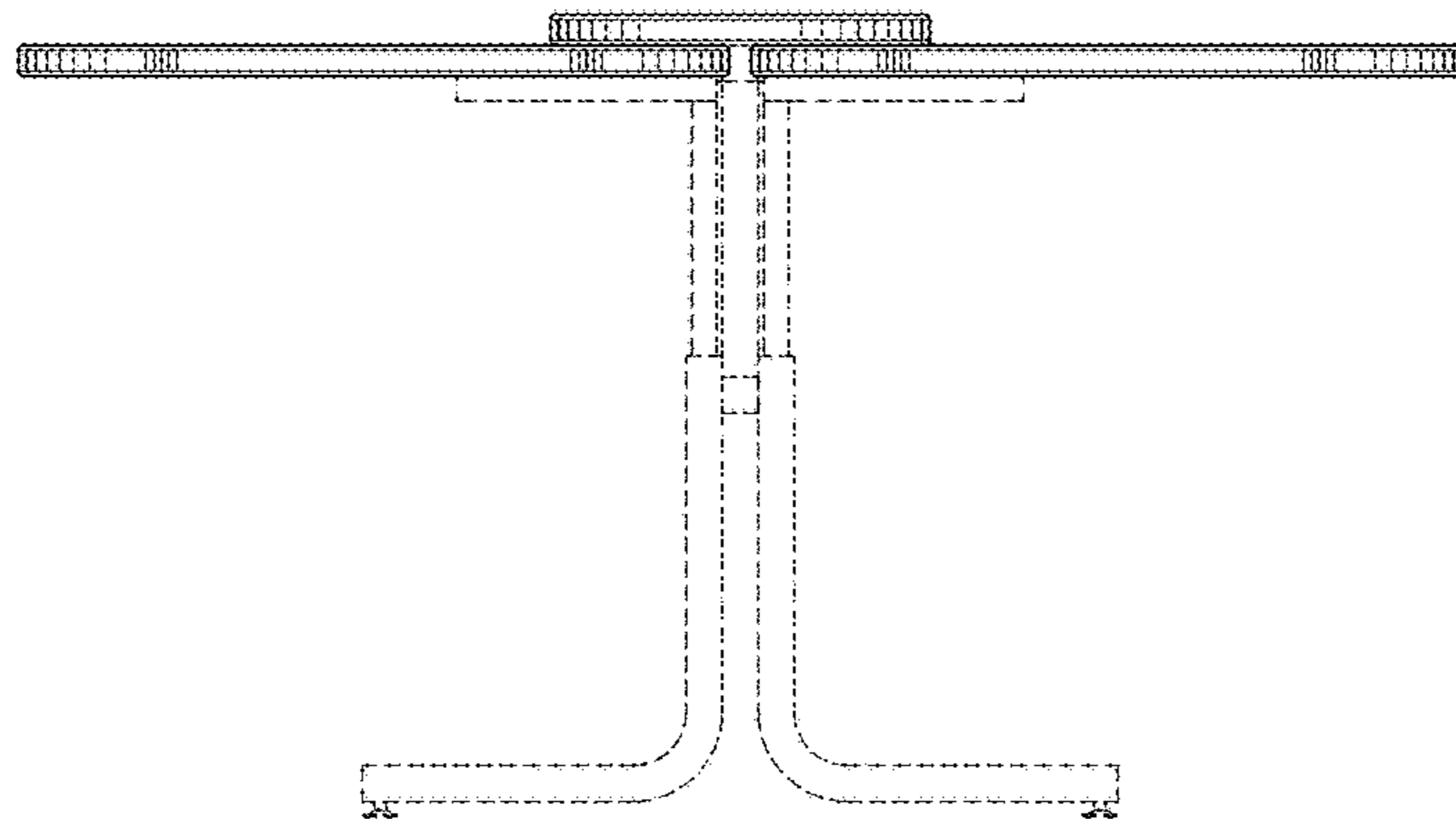


FIG. 3

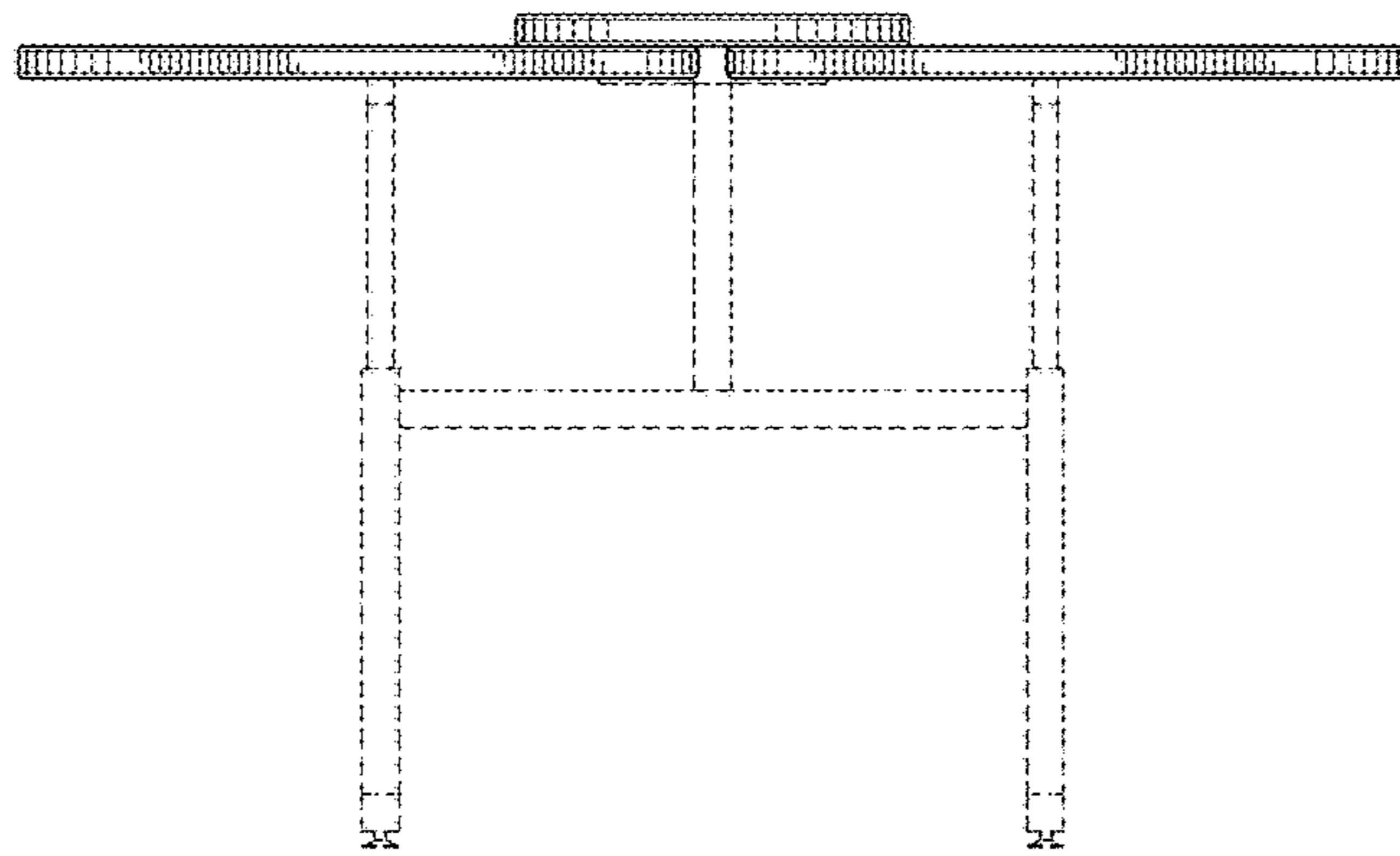


FIG. 4

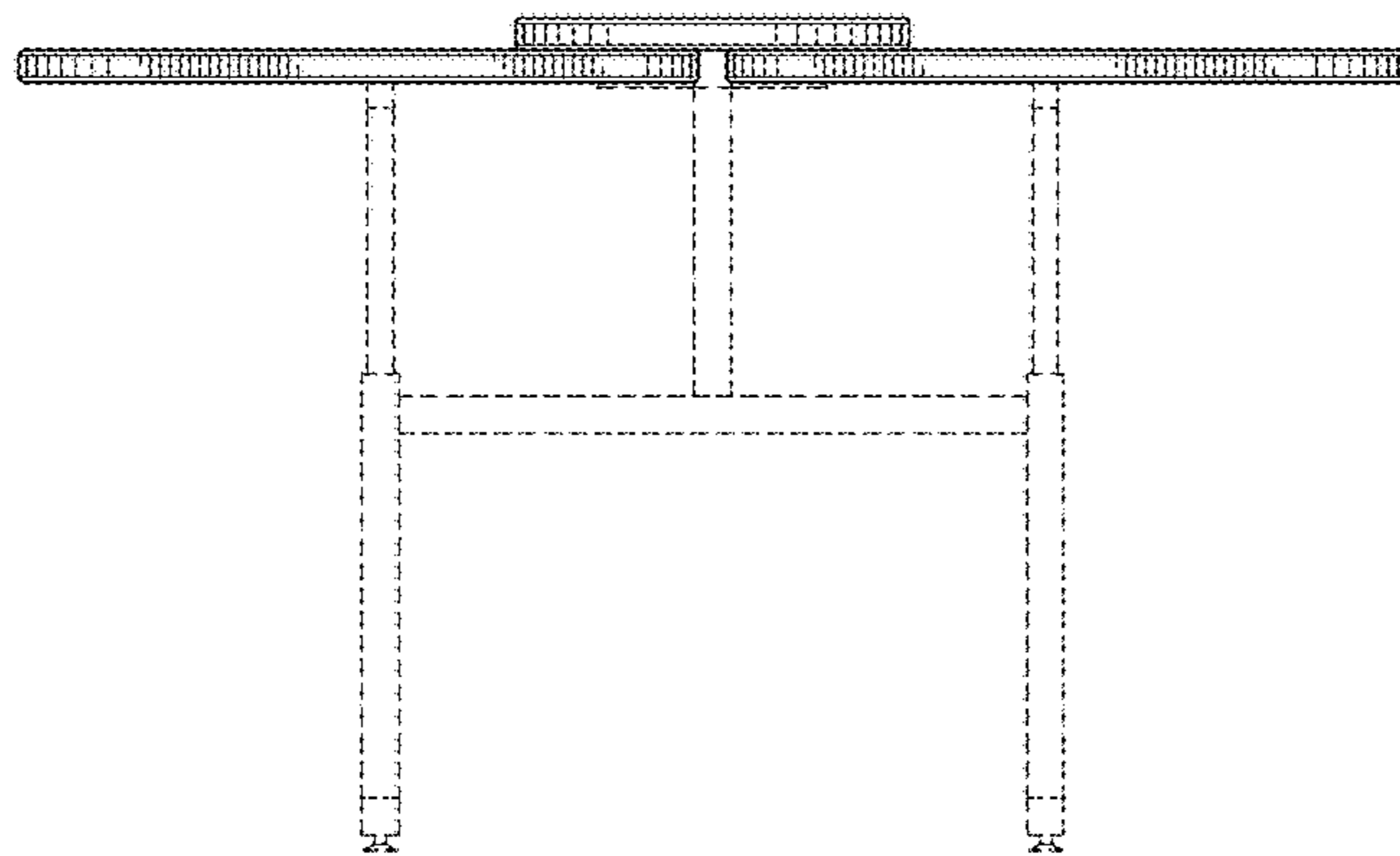


FIG. 5

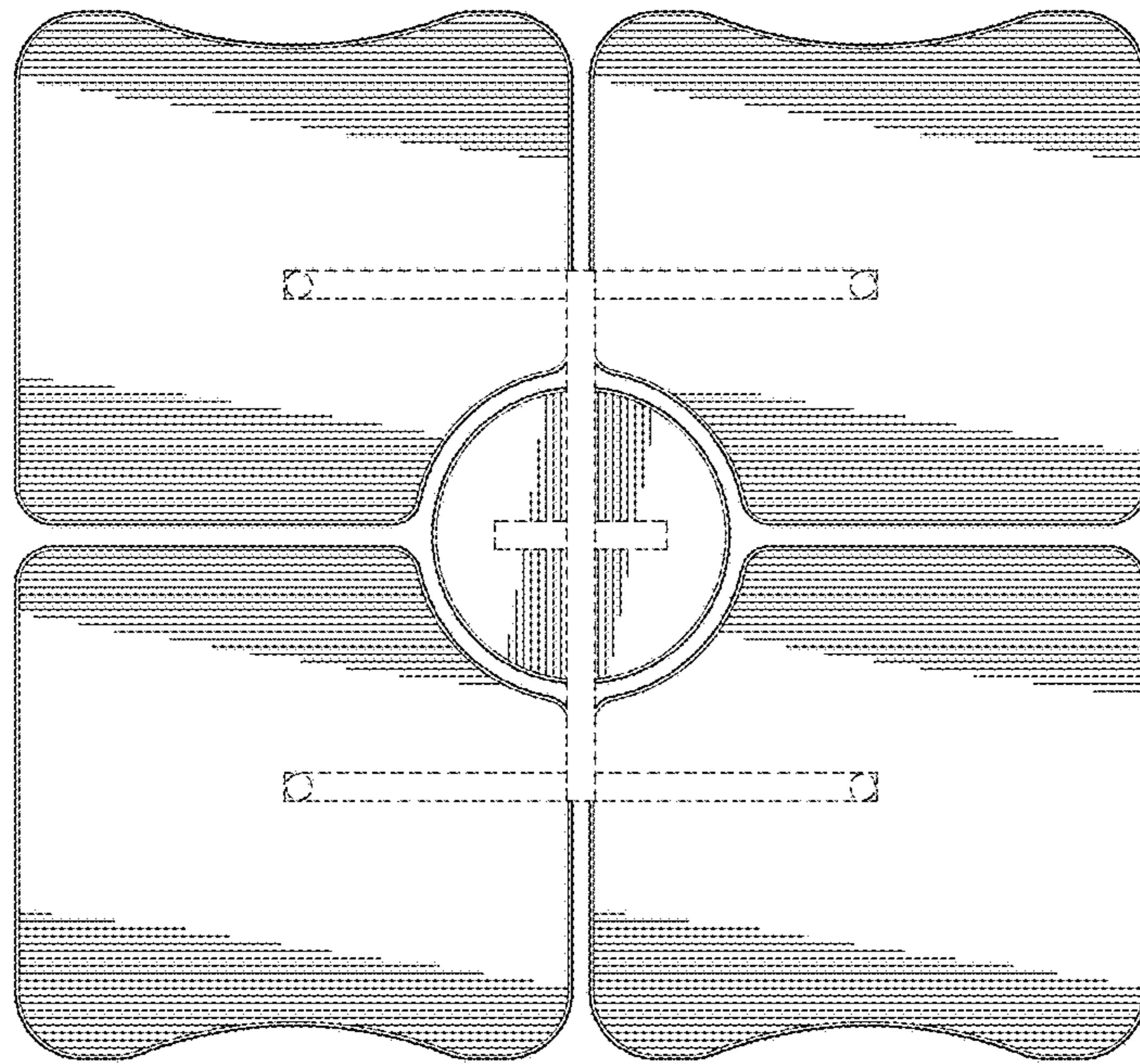


FIG. 5