



US00D839645S

(12) **United States Design Patent** (10) **Patent No.:** **US D839,645 S**  
**Itou** (45) **Date of Patent:** **\*\* Feb. 5, 2019**

(54) **TABLE**

(71) Applicant: **OKAMURA CORPORATION**,  
Yokohama-shi, Kanagawa (JP)  
(72) Inventor: **Masaru Itou**, Yokohama (JP)  
(73) Assignee: **Okamura Corporation**, Yokohama-shi,  
Kanagawa (JP)

(\*\*) Term: **15 Years**

(21) Appl. No.: **29/559,182**

(22) Filed: **Mar. 25, 2016**

(30) **Foreign Application Priority Data**

Sep. 28, 2015 (JP) ..... 2015-021236

(51) **LOC (11) Cl.** ..... **06-03**

(52) **U.S. Cl.**  
USPC ..... **D6/692**

(58) **Field of Classification Search**  
USPC ..... D6/349, 641, 642, 685, 686, 690, 692,  
D6/692.1-692.6  
CPC .... A47B 1/00; A47B 1/08; A47B 3/00; A47B  
7/00; A47B 9/16; A47B 9/20; A47B  
13/00; A47B 13/003; A47B 13/02; A47B  
13/023; A47B 13/04; A47B 13/06; A47B  
13/08; A47B 13/081; A47B 13/12; A47B  
21/00; A47B 2200/0011; A47B  
2200/0015; A47B 2200/0016; A47B  
2200/0051; A47B 2200/002

See application file for complete search history.

(56) **References Cited**

U.S. PATENT DOCUMENTS

D222,624 S \* 11/1971 Gianfagna ..... D6/692.6  
D223,539 S \* 5/1972 Milu ..... D21/397  
D247,402 S \* 3/1978 Cohen ..... D6/680.3  
D747,904 S \* 1/2016 Haynes ..... A47B 9/20

2016/0296006 A1\* 10/2016 Bonuccelli ..... A47B 9/20  
D6/692

\* cited by examiner

*Primary Examiner* — Mary Ann Calabrese

(74) *Attorney, Agent, or Firm* — Sughrue Mion, PLLC

(57) **CLAIM**

The ornamental design for a table, as shown and described.

**DESCRIPTION**

FIG. 1 is a perspective view of a table.  
FIG. 2 is a front elevation view thereof. A rear elevation view is identical to the front elevation view.  
FIG. 3 is a right side elevation view thereof. A left side elevation view is identical to the right side elevation view.  
FIG. 4 is a top plan view thereof.  
FIG. 5 is a bottom plan view thereof.  
FIG. 6 is an enlarged cross-sectional view taken along the line 6-6 in FIG. 2, which omits the internal structure; and, FIG. 7 is a perspective view showing the tabletop in an alternate lifted position of use.  
Portions of the table shown in broken lines form no part of the claimed design.

**1 Claim, 7 Drawing Sheets**

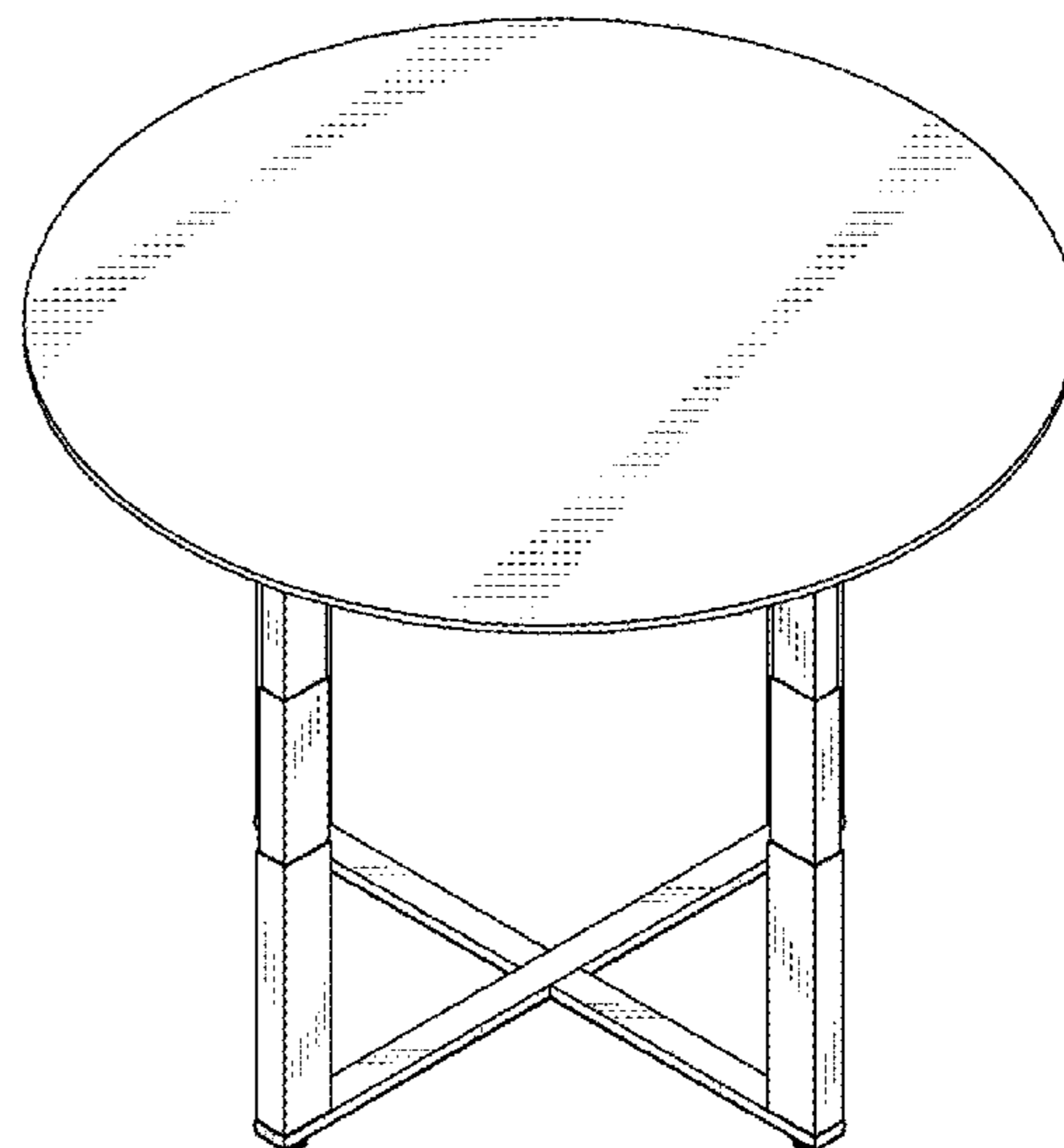
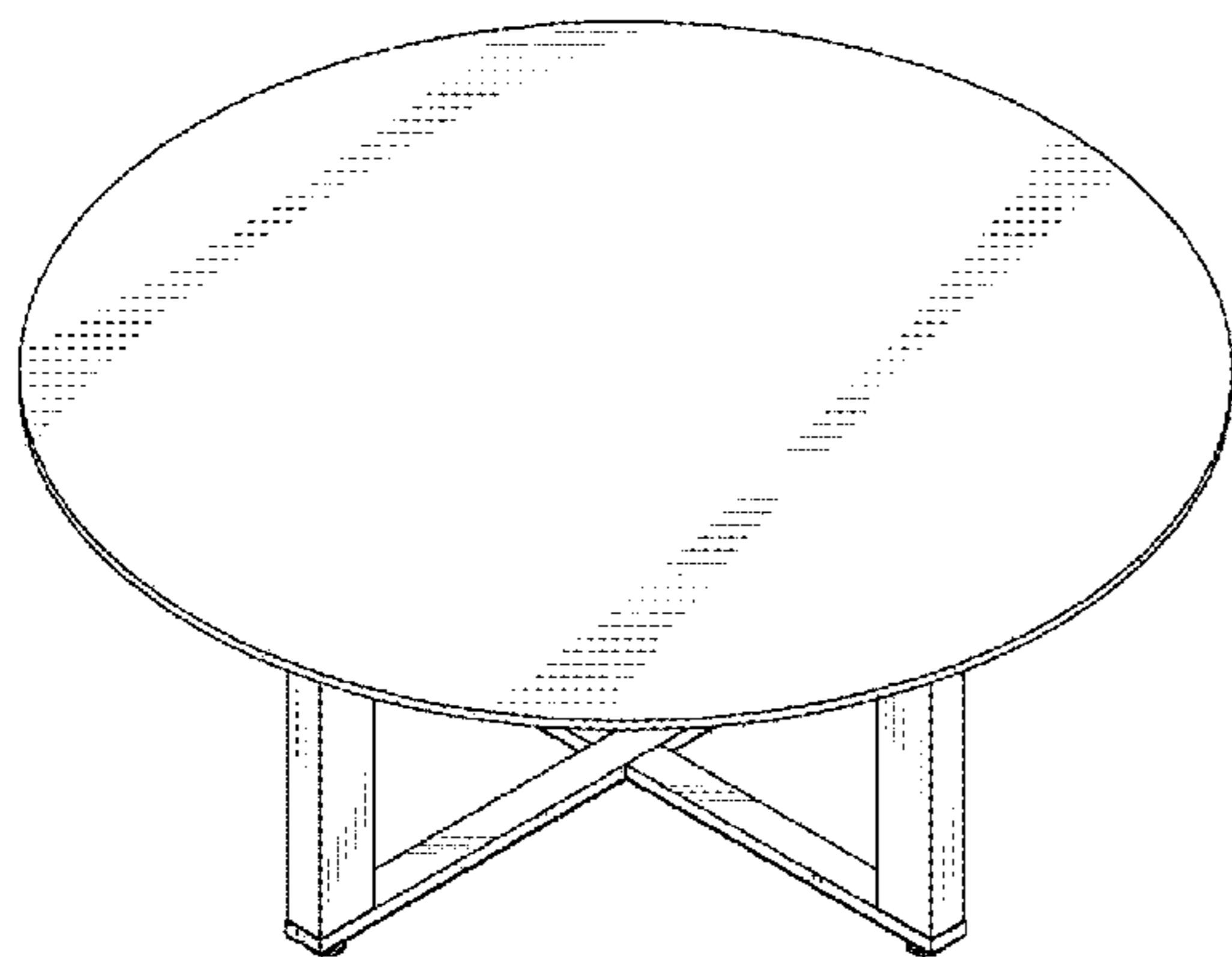


FIG. 1

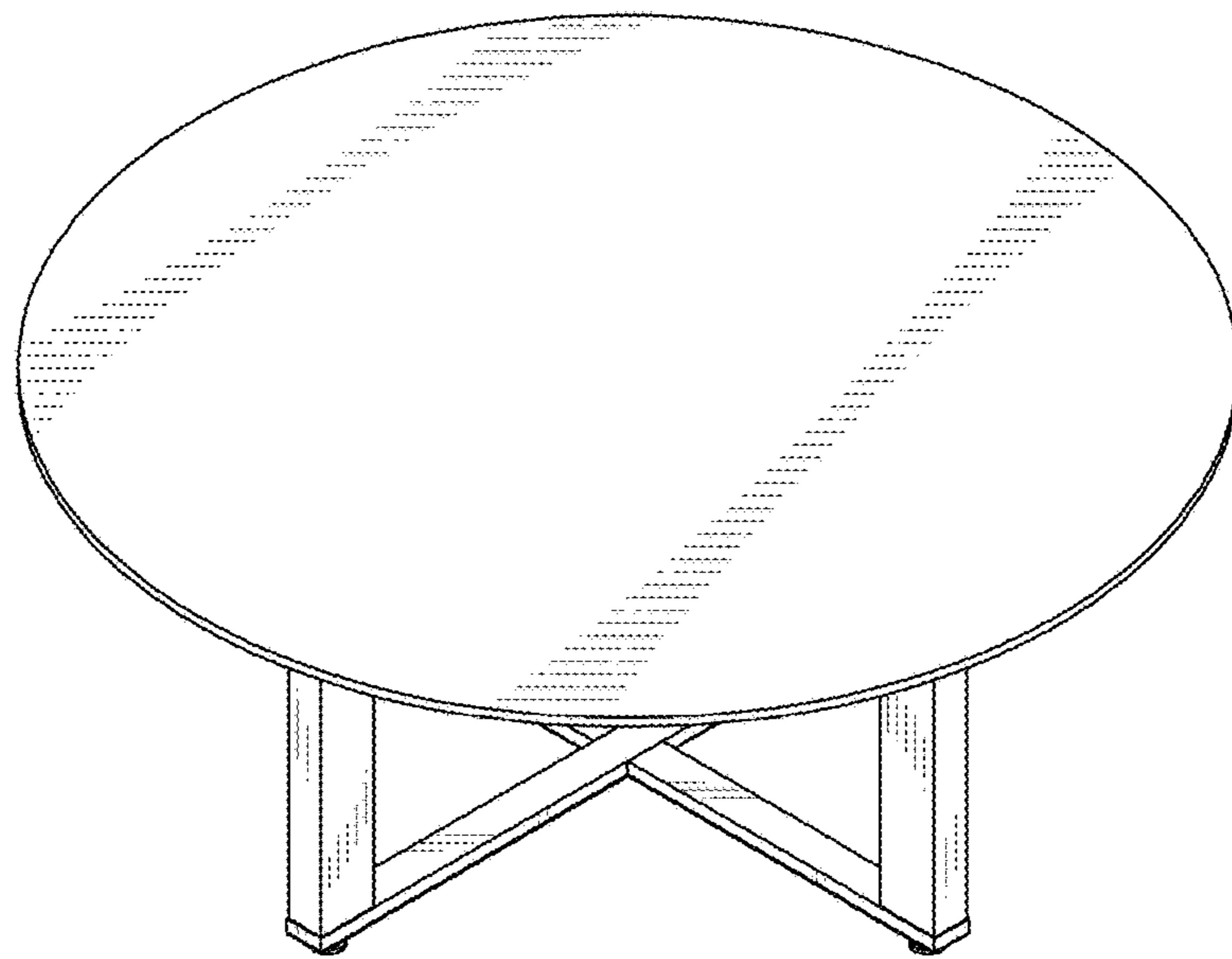


FIG. 2

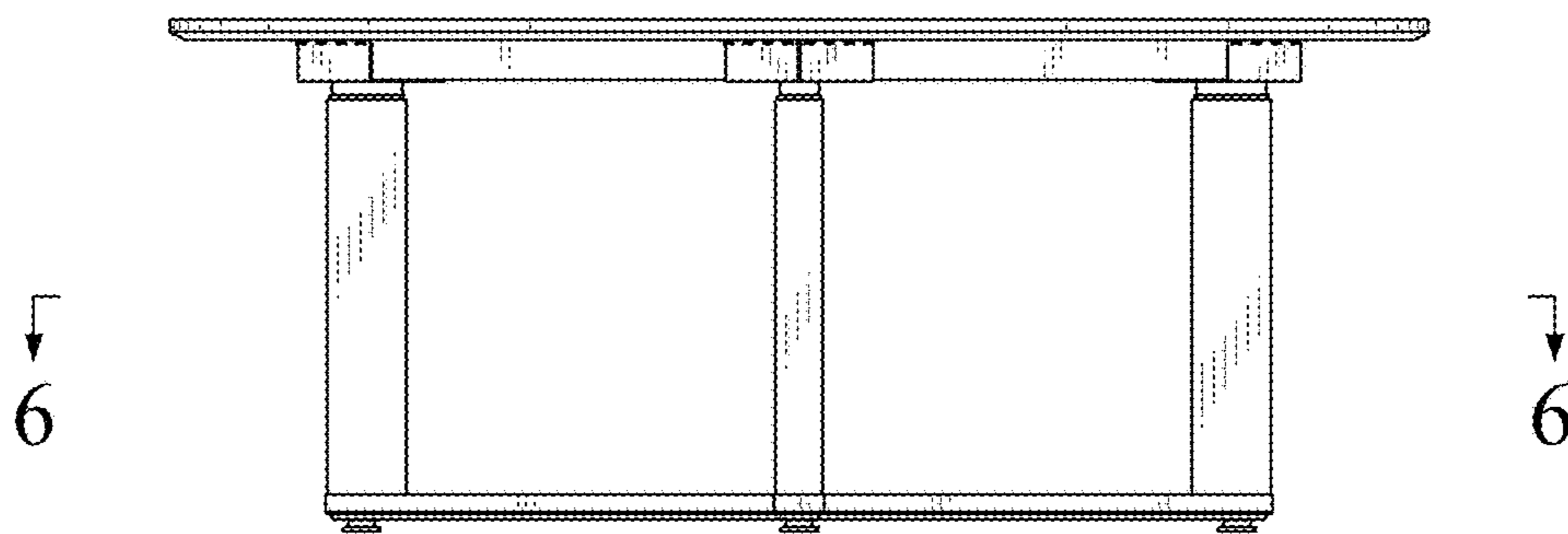


FIG. 3

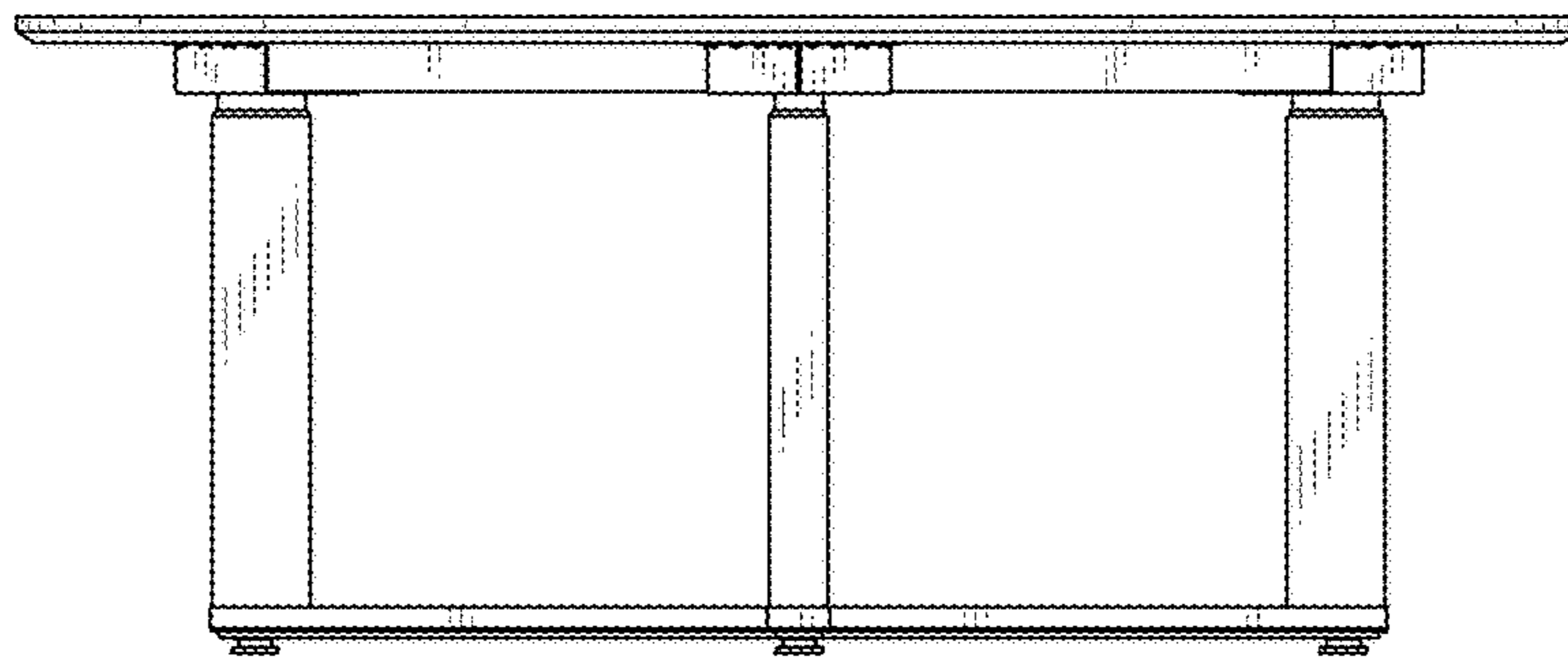


FIG. 4

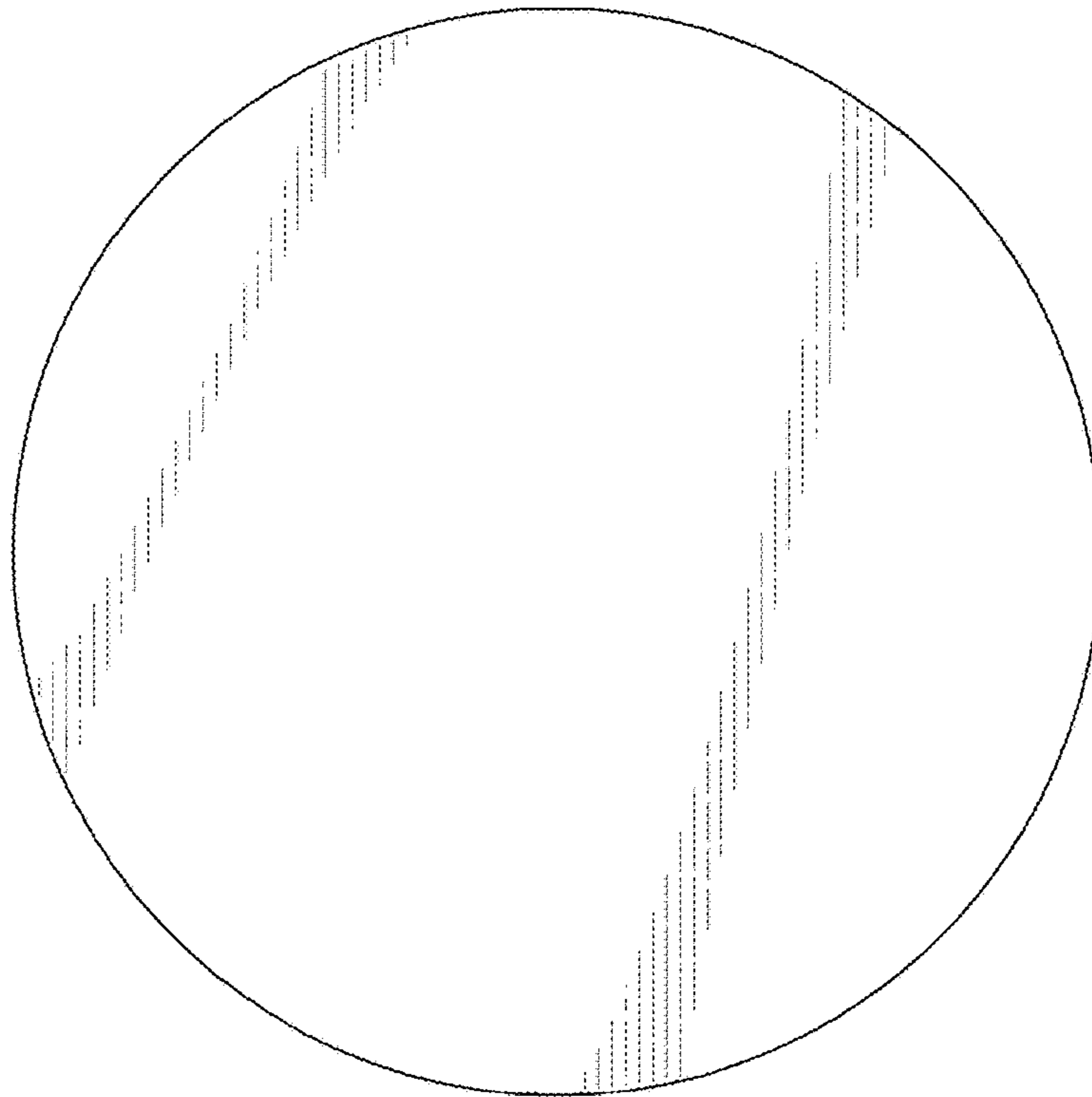


FIG. 5

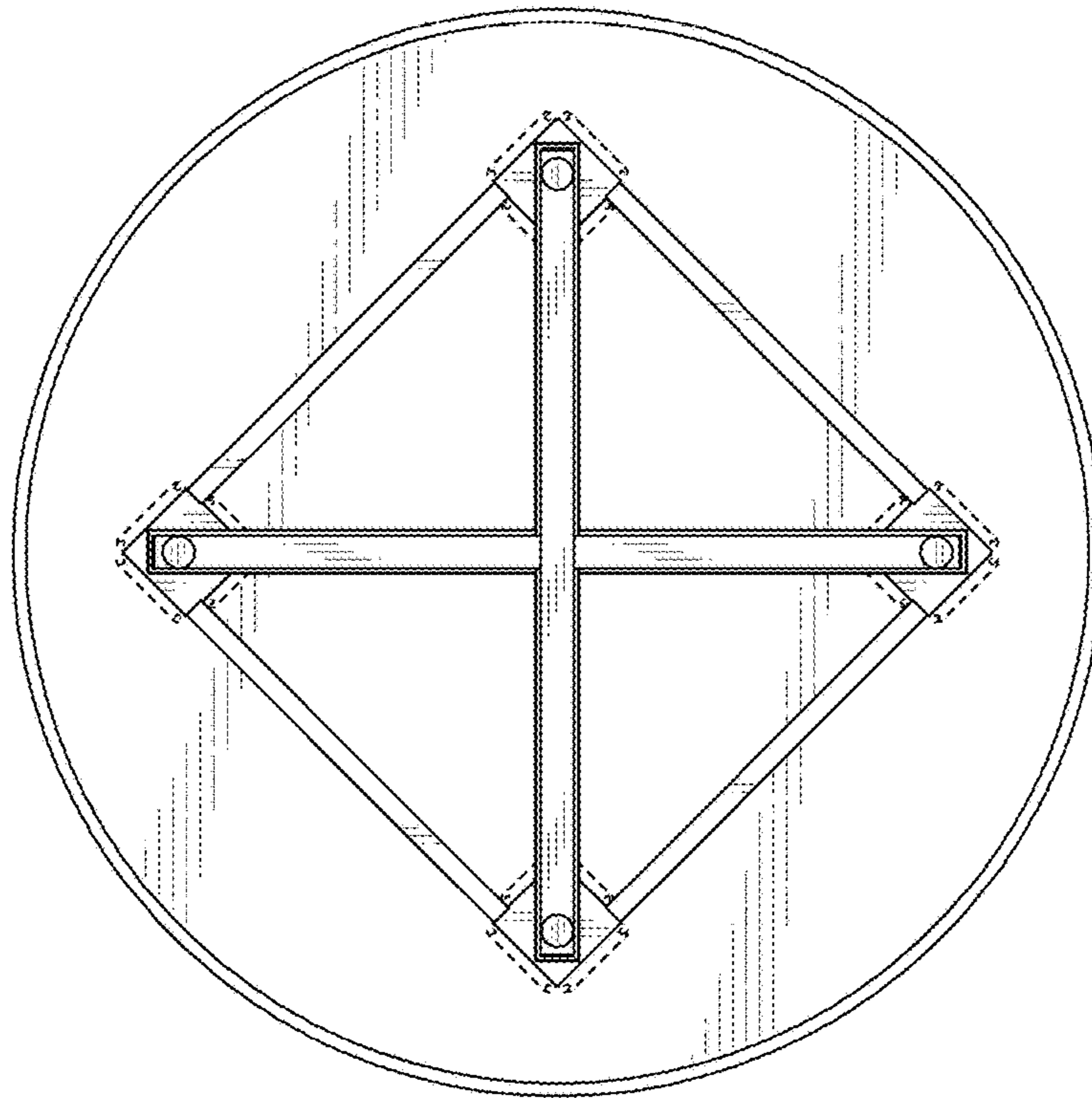


FIG. 6

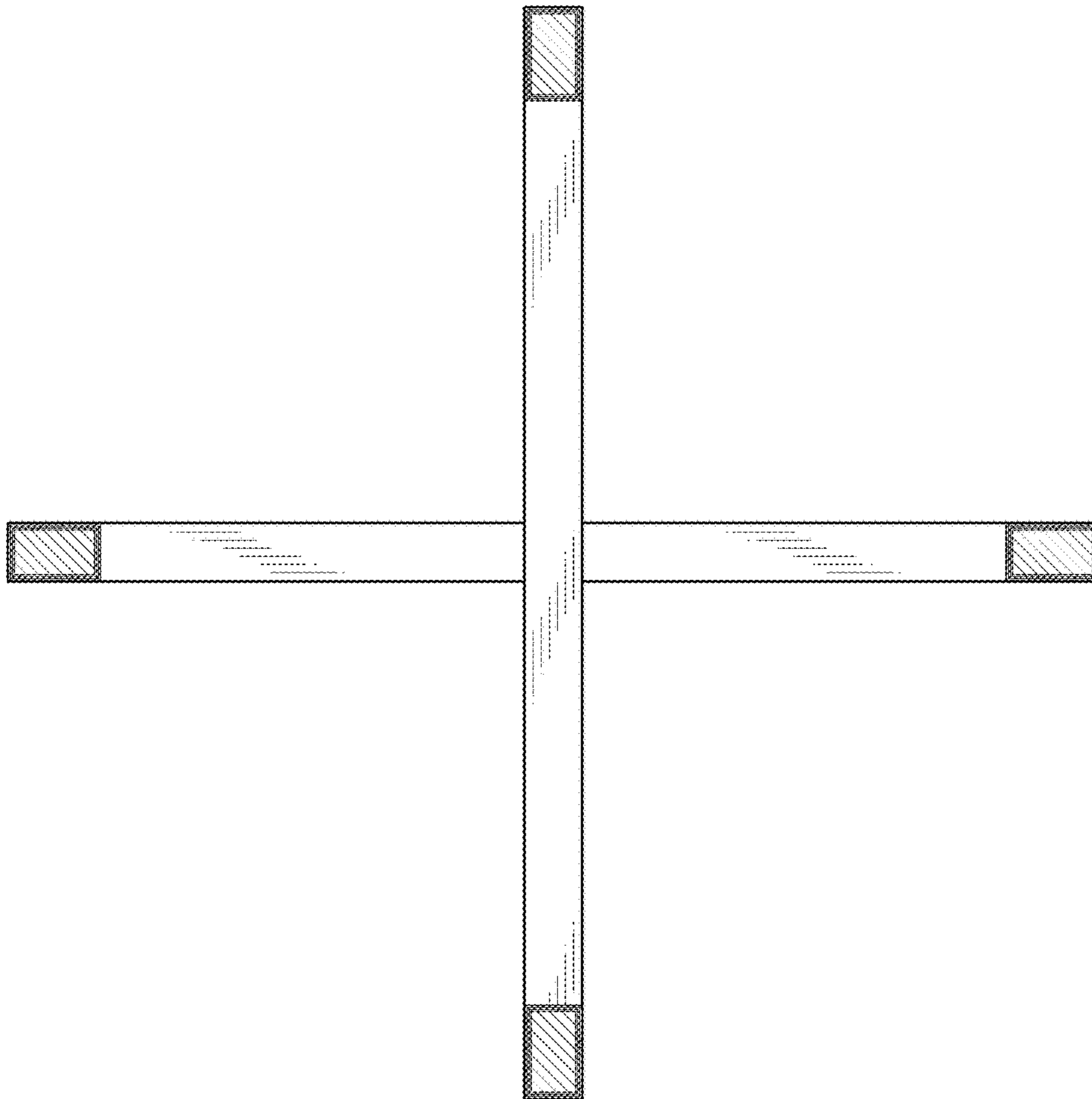


FIG. 7

