



US00D839642S

(12) **United States Design Patent** (10) **Patent No.:** **US D839,642 S**
Fischer (45) **Date of Patent:** **** Feb. 5, 2019**

(54) **PENDANT STAND**
(71) Applicant: **John G. Fischer**, Irving, TX (US)
(72) Inventor: **John G. Fischer**, Irving, TX (US)
(73) Assignee: **Tooth Fairy Designs, Inc.**, Irving, TX (US)
(**) Term: **15 Years**
(21) Appl. No.: **29/666,820**
(22) Filed: **Oct. 16, 2018**

Related U.S. Application Data

(62) Division of application No. 29/573,624, filed on Aug. 8, 2016, now Pat. No. Des. 834,358.

(51) **LOC (11) Cl.** **06-06**

(52) **U.S. Cl.**
USPC **D6/677**

(58) **Field of Classification Search**
USPC D6/672, 673, 677, 677.5, 678, 681, D6/681.1, 682, 682.5; D7/600.1, 601, D7/602
CPC A47F 5/00; A47F 5/006; A47F 5/04; A47F 7/00; A47F 7/002; A47F 7/02; A47F 7/0071

See application file for complete search history.

(56) **References Cited**

U.S. PATENT DOCUMENTS

D267,445 S * 1/1983 Watson D6/681.1
D288,154 S * 2/1987 Hobgood D11/131
D300,790 S * 4/1989 Beckwith D11/131
D335,401 S * 5/1993 Nations D11/131
D364,757 S * 12/1995 Jaeger D3/18
D404,973 S * 2/1999 Goodman D7/601
D538,109 S * 3/2007 Goodman D7/601

D545,081 S * 6/2007 Lara D6/677
D613,524 S * 4/2010 Jeffers D6/682
D613,961 S * 4/2010 Lin D6/682.1
D631,297 S * 1/2011 Goodman D7/601
D643,231 S * 8/2011 Huang D6/672
D644,041 S * 8/2011 Bugio D6/403
D651,675 S * 1/2012 Norton D21/787
D694,069 S * 11/2013 Goodman D7/601
D697,373 S * 1/2014 Goodman D7/601
D698,203 S * 1/2014 Goodman D7/601
D724,072 S * 3/2015 Jiang D14/253
D753,941 S * 4/2016 Boen D6/681.1
D766,046 S * 9/2016 Guindi D7/601
D768,443 S * 10/2016 Goodman D7/601
D787,891 S * 5/2017 Goodman D7/601
D788,080 S * 5/2017 Turksu D14/224
D788,542 S * 6/2017 Goodman D7/601
D794,395 S * 8/2017 Goodman D7/601
D794,984 S * 8/2017 Green D6/682.5
D828,843 S * 9/2018 Foldvary D14/447

* cited by examiner

Primary Examiner — Kelley A Donnelly
(74) *Attorney, Agent, or Firm* — John G. Fischer, Esq.; Scheef & Stone, L.L.P.

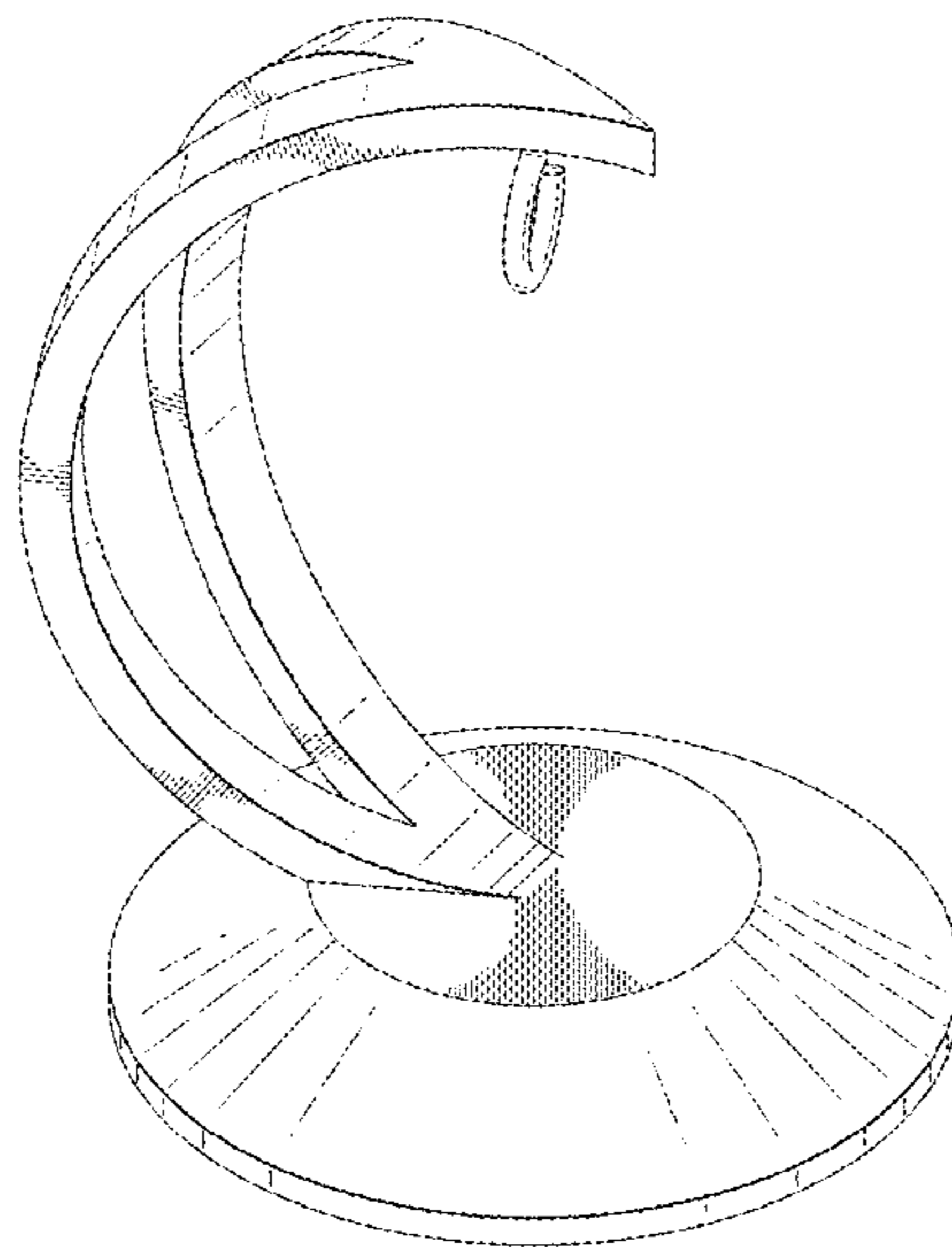
(57) **CLAIM**

The ornamental design for a pendant stand, as shown.

DESCRIPTION

FIG. 1 is a perspective view of my new design for a pendant stand;
FIG. 2 is a front view thereof;
FIG. 3 is a rear view thereof;
FIG. 4 is a right side view thereof;
FIG. 5 is a left side view thereof;
FIG. 6 is a top view thereof; and,
FIG. 7 is a bottom view thereof.

1 Claim, 7 Drawing Sheets



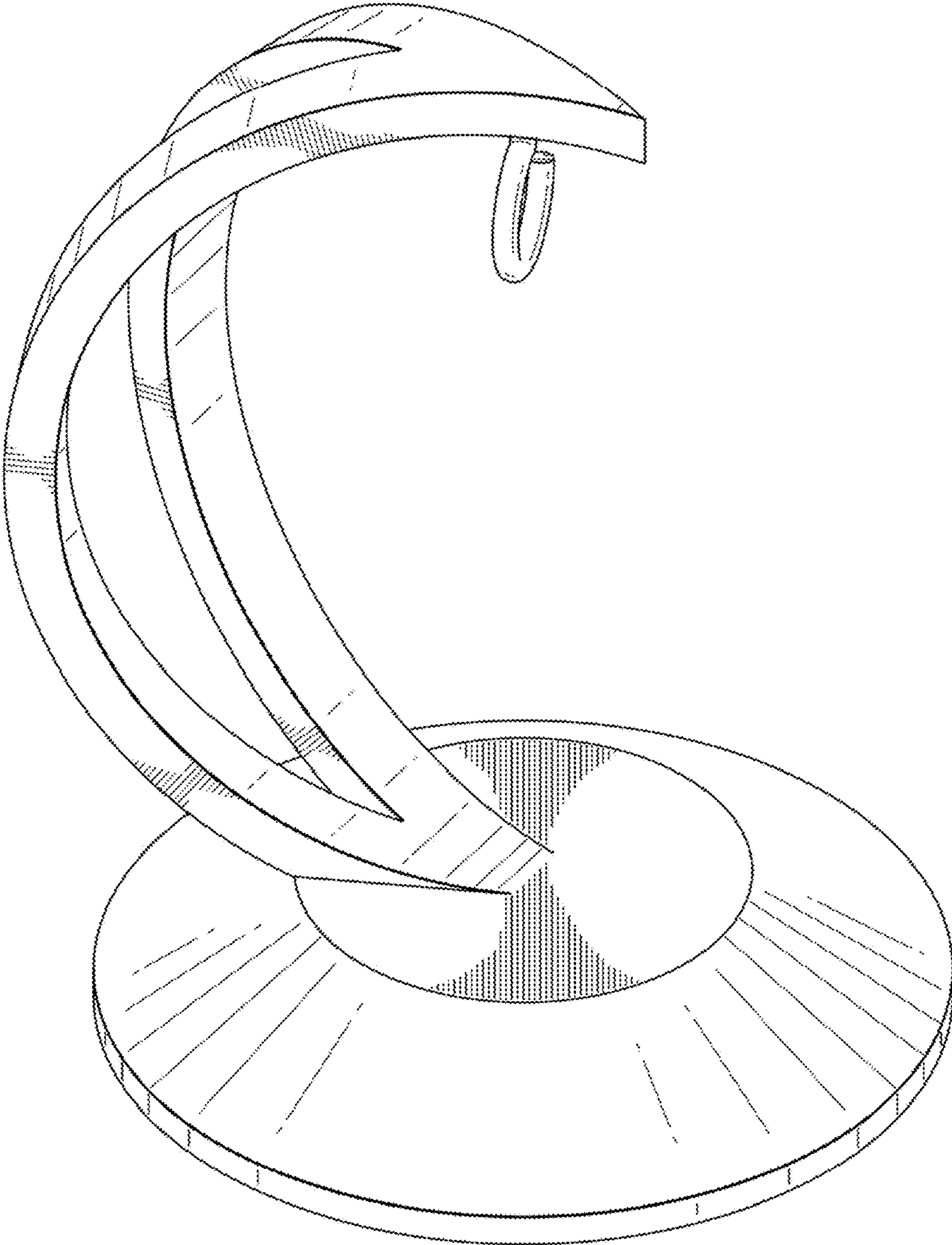


FIG. 1

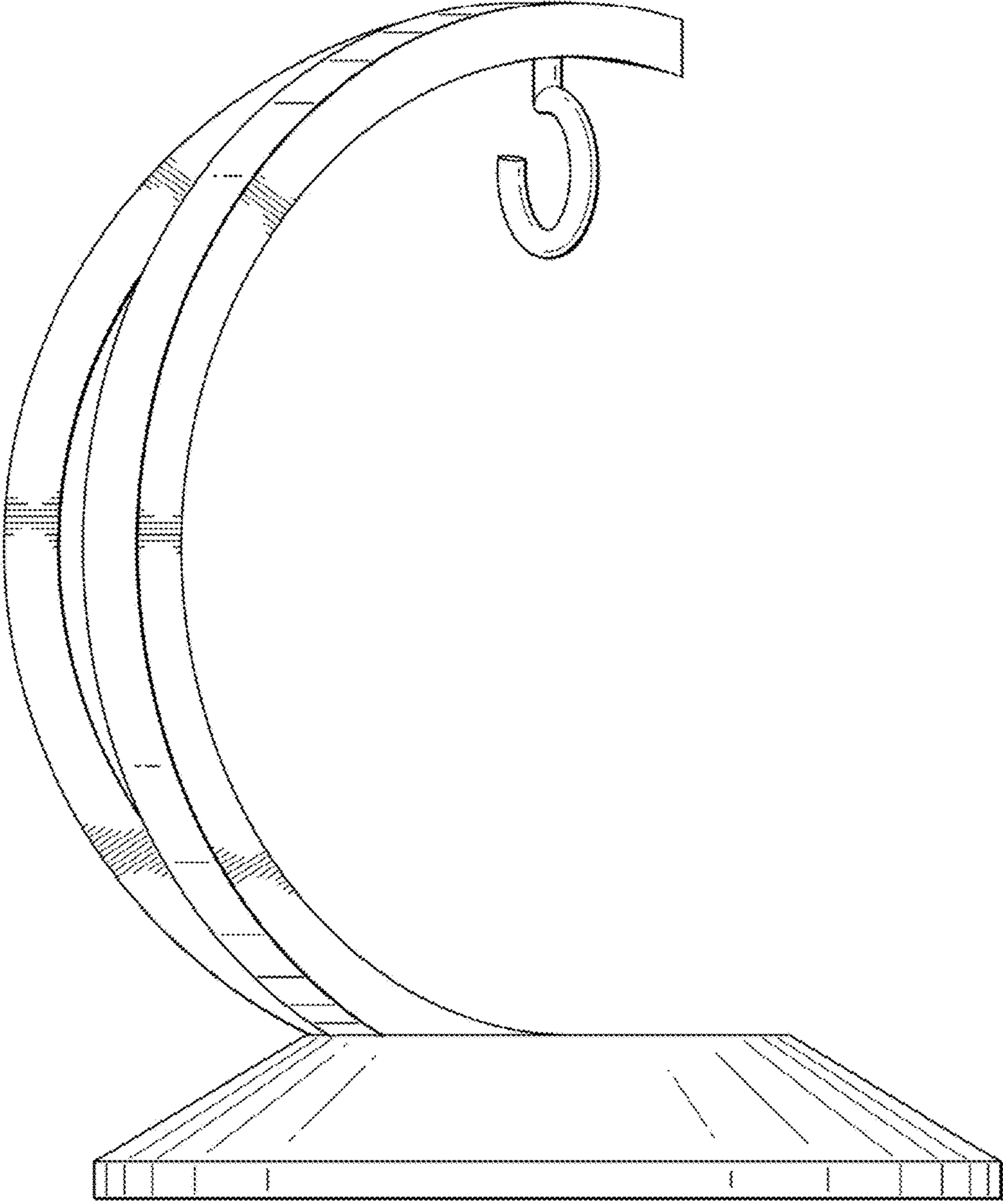


FIG. 2

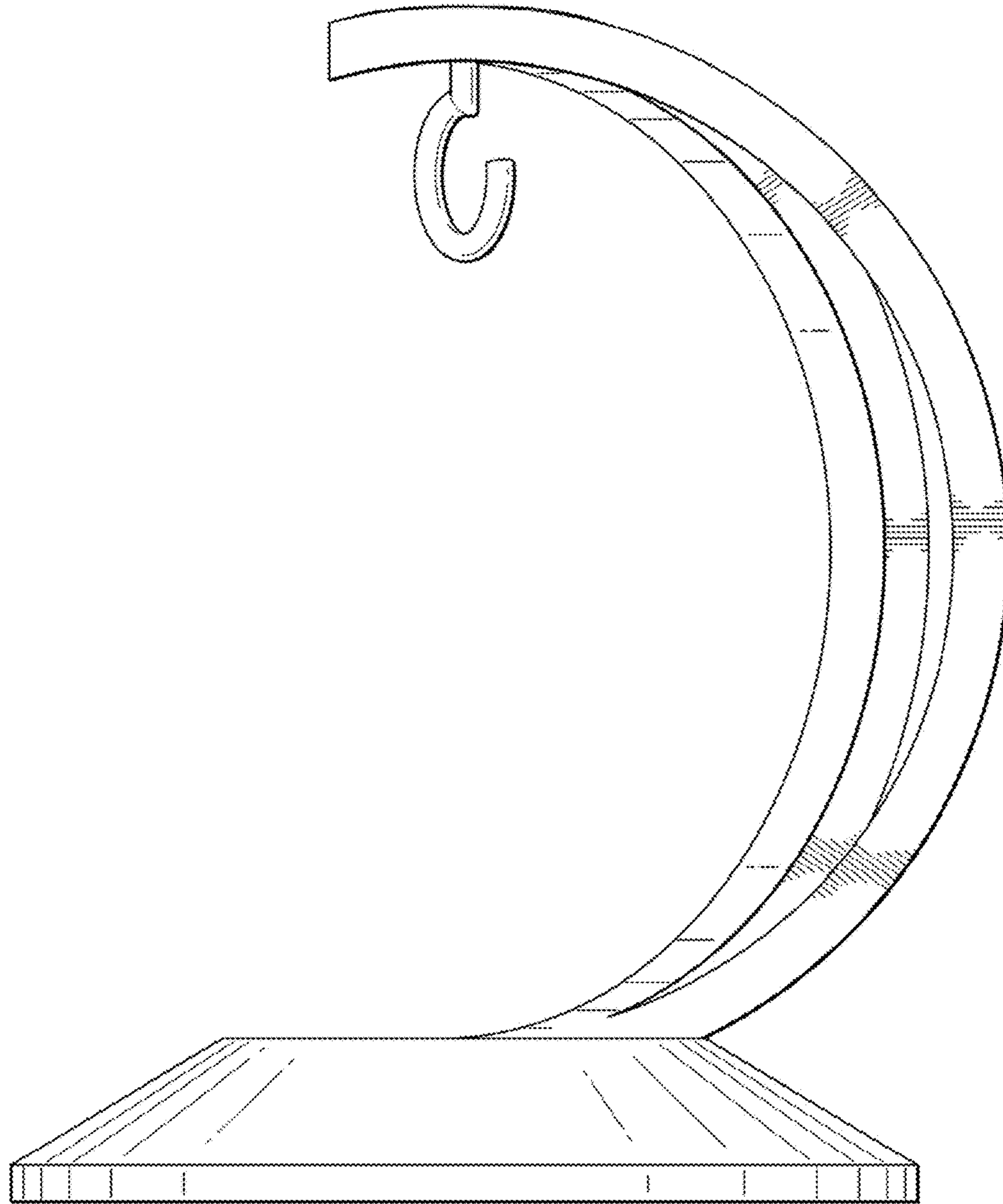


FIG. 3

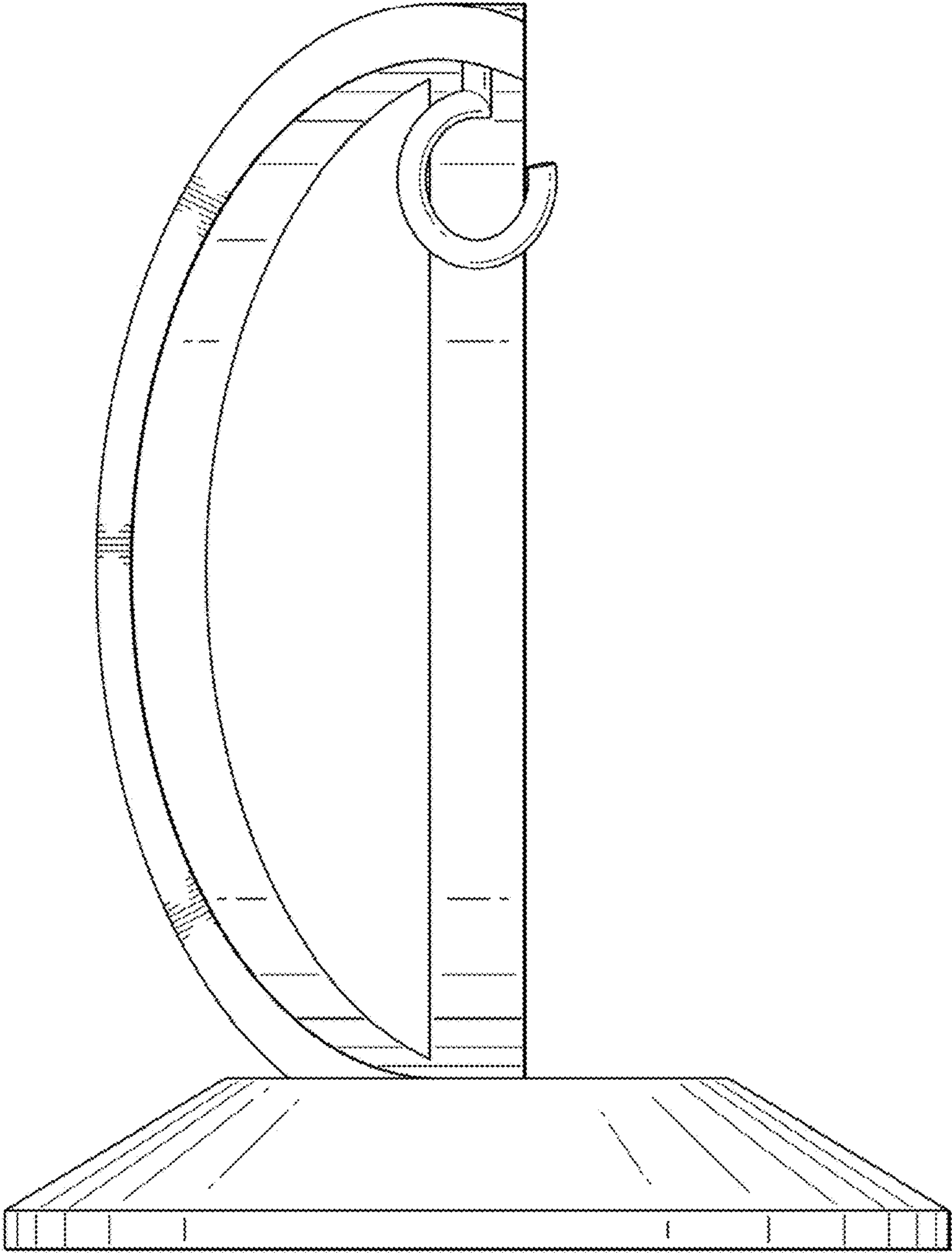


FIG. 4

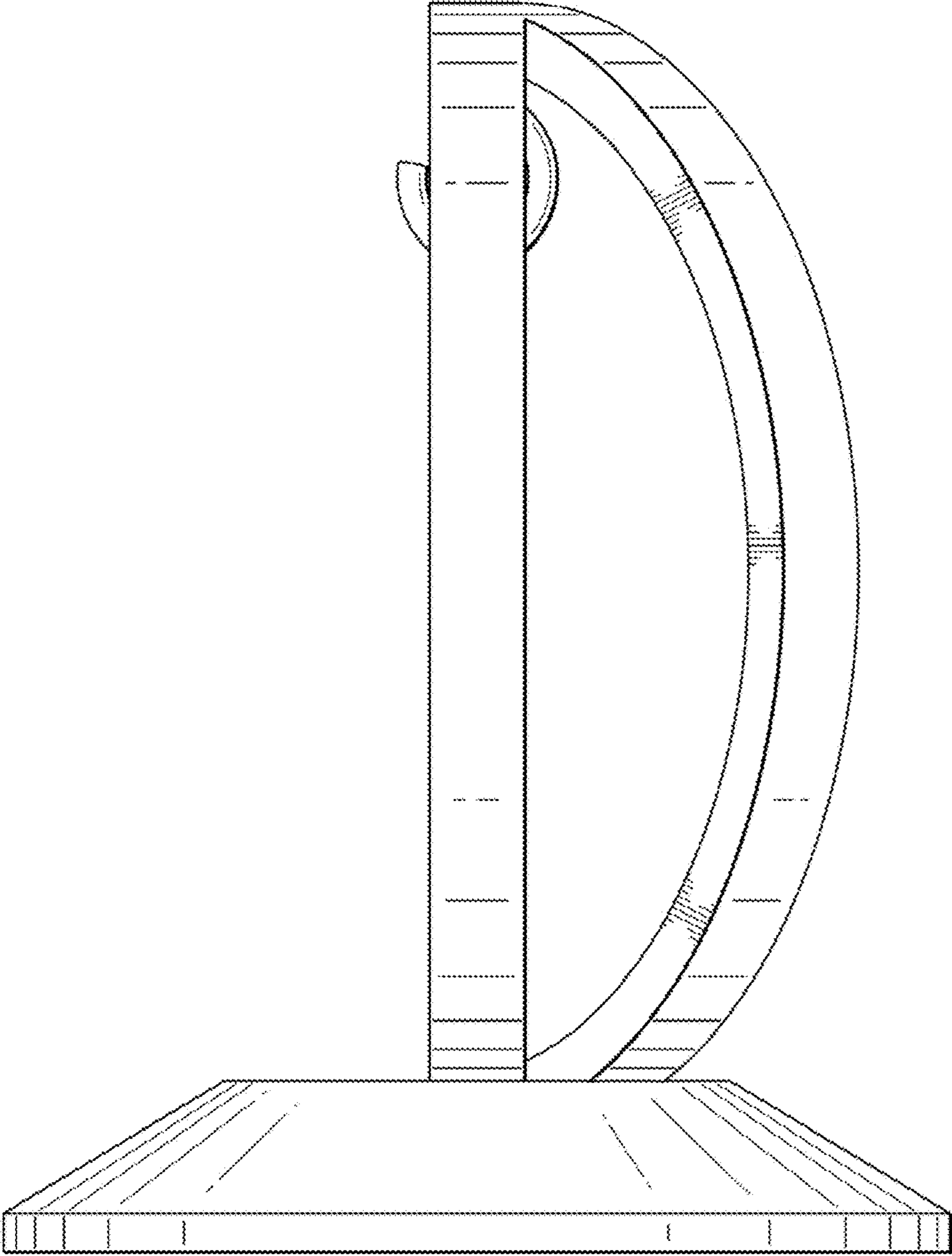


FIG. 5

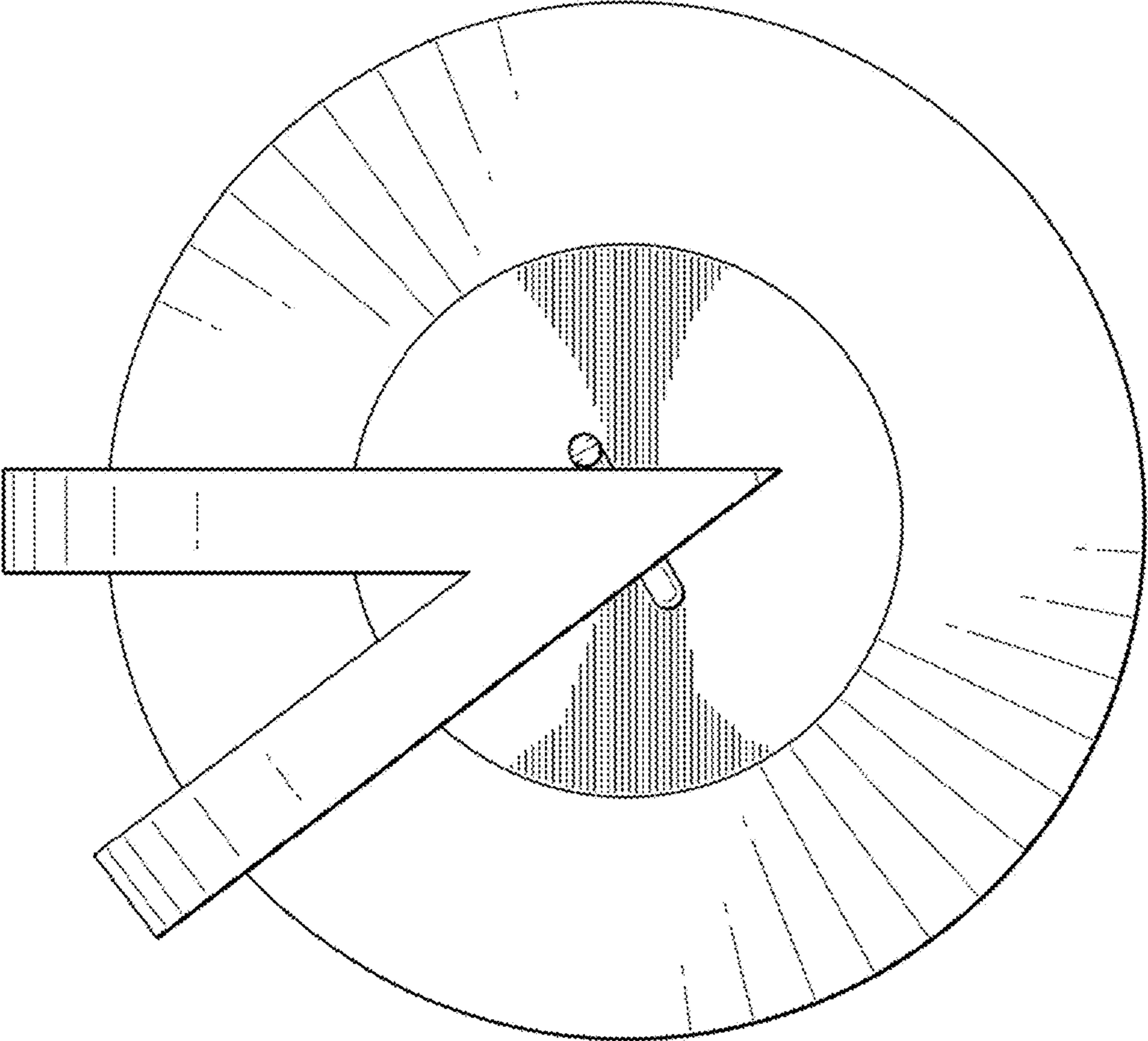


FIG. 6

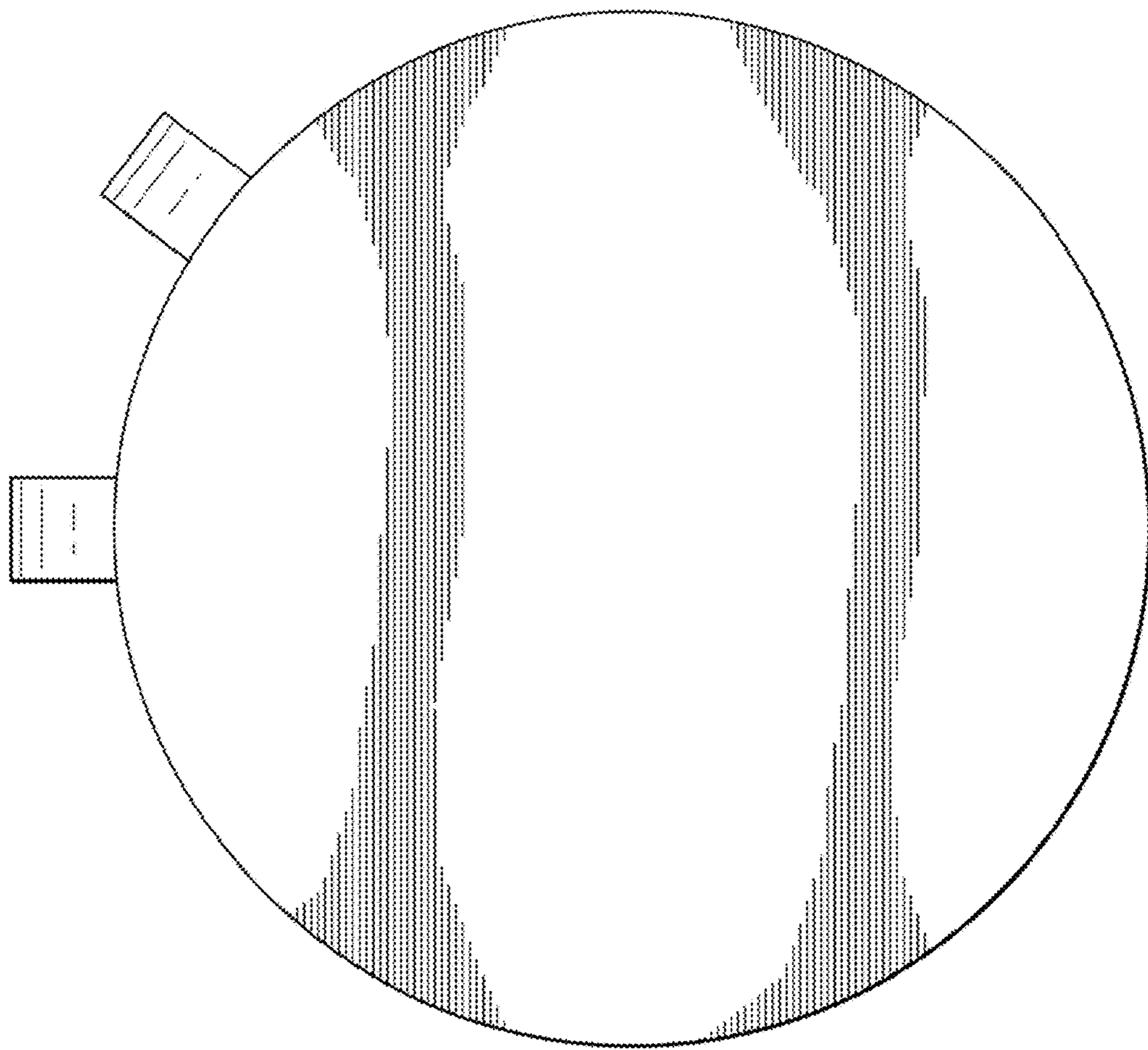


FIG. 7